

US00D635168S

(12) **United States Design Patent**  
**Oonuma et al.**

(10) **Patent No.:** **US D635,168 S**

(45) **Date of Patent:** **\*\* \*Mar. 29, 2011**

(54) **PORTION OF AN ELECTRON MICROSCOPE**

(75) Inventors: **Mitsuru Oonuma**, Tokyo (JP); **Akira Omachi**, Komae (JP); **Masahiko Ajima**, Hitachinaka (JP); **Tomohisa Ohtaki**, Hitachinaka (JP)

(73) Assignee: **Hitachi High-Technologies Corporation**, Tokyo (JP)

(\*) Notice: This patent is subject to a terminal disclaimer.

(\*\*) Term: **14 Years**

(21) Appl. No.: **29/356,722**

(22) Filed: **Mar. 2, 2010**

(30) **Foreign Application Priority Data**

Sep. 25, 2009 (JP) ..... 2009-022089

(51) **LOC (9) Cl.** ..... **16-06**

(52) **U.S. Cl.** ..... **D16/131**

(58) **Field of Classification Search** ..... D16/130, D16/131, 221, 234; D24/186, 232, 216, D24/233; D10/81; D13/184; 250/311; 359/383, 359/384, 385, 389, 390, 368, 370, 371, 372, 359/363; D7/601, 609, 323, 328, 350.1, D7/350.2, 350.3; 312/114, 117, 138.1, 351; D6/627; 206/558

See application file for complete search history.

(56) **References Cited**

**U.S. PATENT DOCUMENTS**

2,498,402	A *	2/1950	Guyon	.....	312/351
D377,455	S *	1/1997	Burchard et al.	.....	D10/81
D421,653	S *	3/2000	Purcell	.....	D24/231
D430,304	S *	8/2000	Oonuma et al.	.....	D24/233
D467,349	S *	12/2002	Niedbala et al.	.....	D24/232
D474,279	S *	5/2003	Mayer et al.	.....	D24/232
D527,464	S *	8/2006	Ina et al.	.....	D24/232

D535,403	S *	1/2007	Isozaki et al.	.....	D24/232
D571,385	S *	6/2008	Oonuma et al.	.....	D16/131
D571,480	S *	6/2008	Beck et al.	.....	D24/232
D588,276	S *	3/2009	Isozaki et al.	.....	D24/232
D603,972	S *	11/2009	Petersen et al.	.....	D24/216
D623,211	S *	9/2010	Oonuma et al.	.....	D16/131
D625,749	S *	10/2010	Oonuma et al.	.....	D16/131
D626,579	S *	11/2010	Oonuma et al.	.....	D16/131

**OTHER PUBLICATIONS**

U.S. Patent Application of Oonuma et al., U.S. Appl. No. 29/343,661, filed Sep. 17, 2009.

U.S. Patent Application of Oonuma et al., U.S. Appl. No. 29/356,716, filed Mar. 2, 2010.

\* cited by examiner

*Primary Examiner* — Paula Greene

(74) *Attorney, Agent, or Firm* — Antonelli, Terry, Stout & Kraus, LLP.

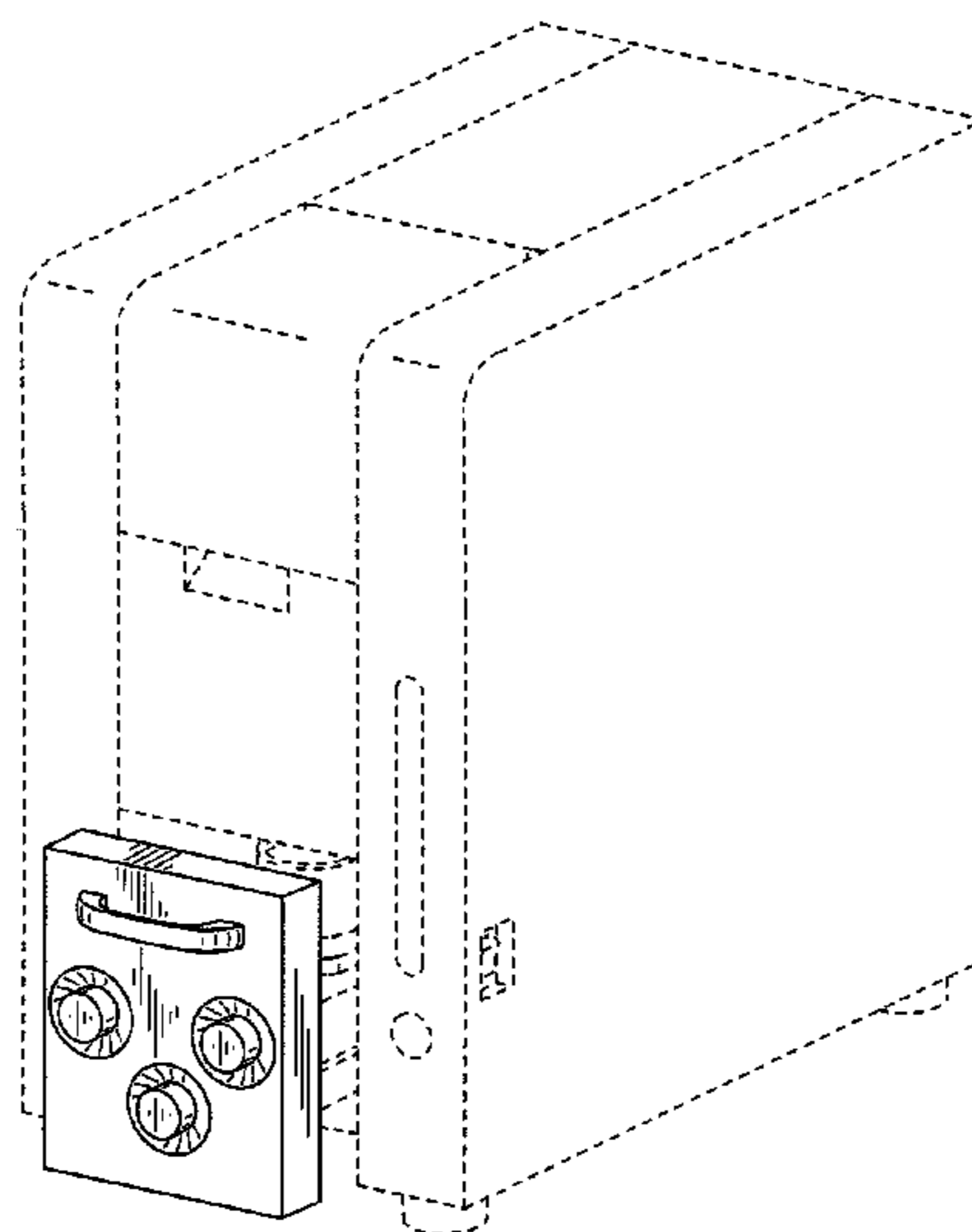
(57) **CLAIM**

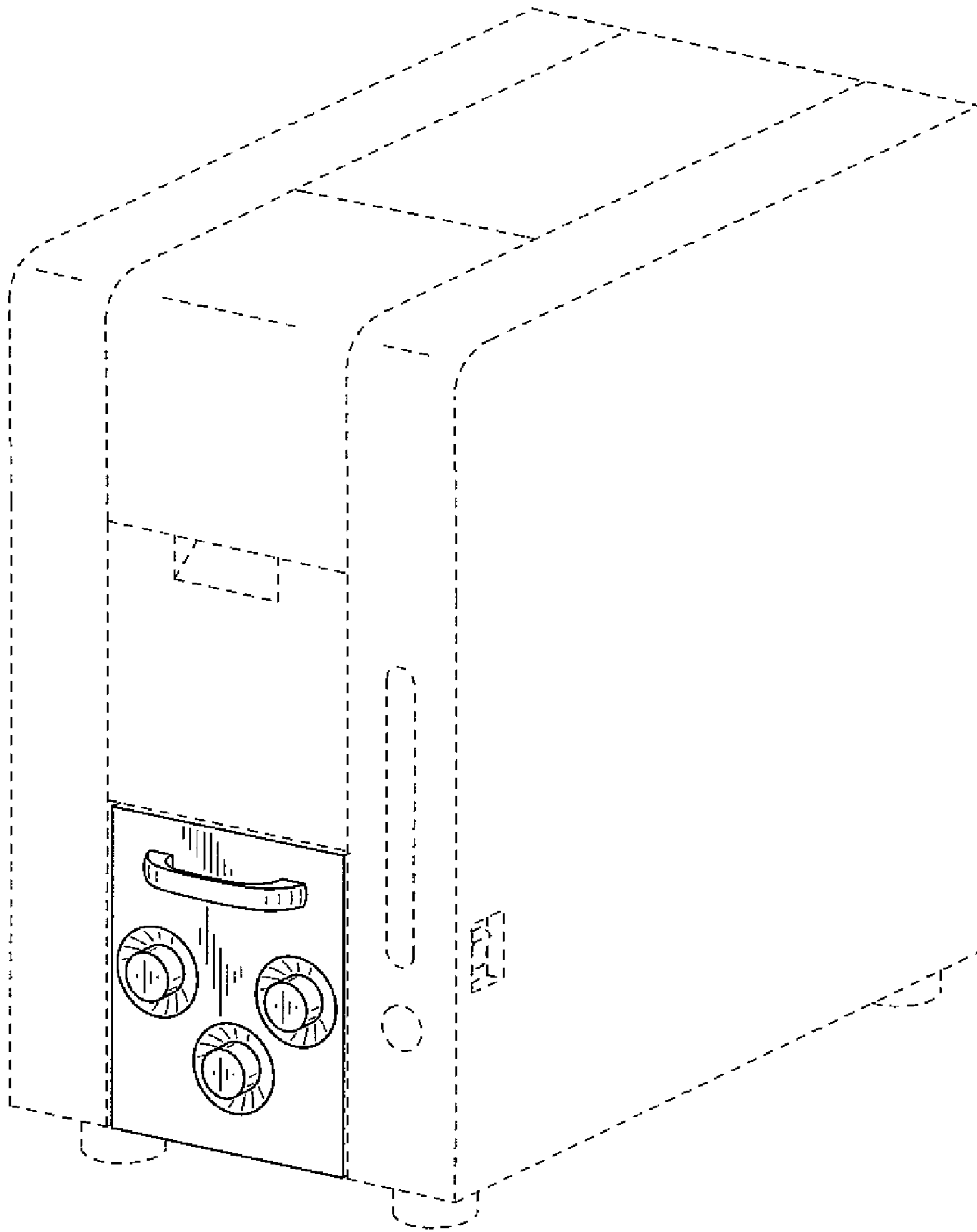
We claim the ornamental design for a portion of an electron microscope, as shown and described.

**DESCRIPTION**

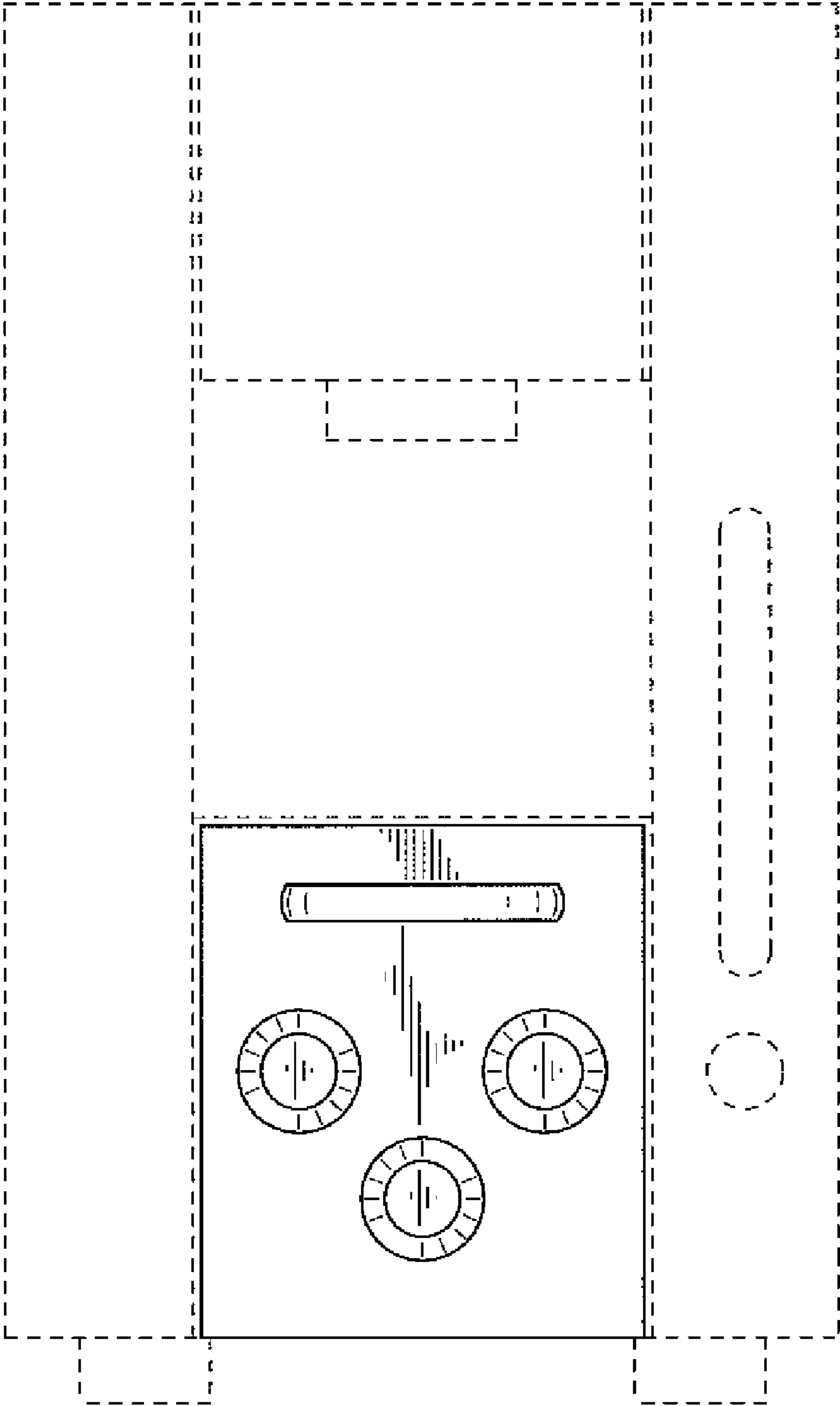
FIG. 1 is a front, top and right side perspective view of a portion of an electron microscope showing our new design; FIG. 2 is a front elevational view thereof; the rear view is not part of the claimed design; FIG. 3 is a rear elevational view thereof; FIG. 4 is a left side elevational view thereof; FIG. 5 is a right side elevational view thereof; FIG. 6 is a top plan view thereof; FIG. 7 is a bottom plan view thereof; and, FIG. 8 is a front, top and right side perspective view thereof shown in an opened positioned; the front, top and left side perspective view of the claimed design (shown in solid lines) is a mirror image of the claimed design as shown in FIG. 8. The broken lines shown are for illustrative purpose and form no part of the claimed design.

**1 Claim, 8 Drawing Sheets**

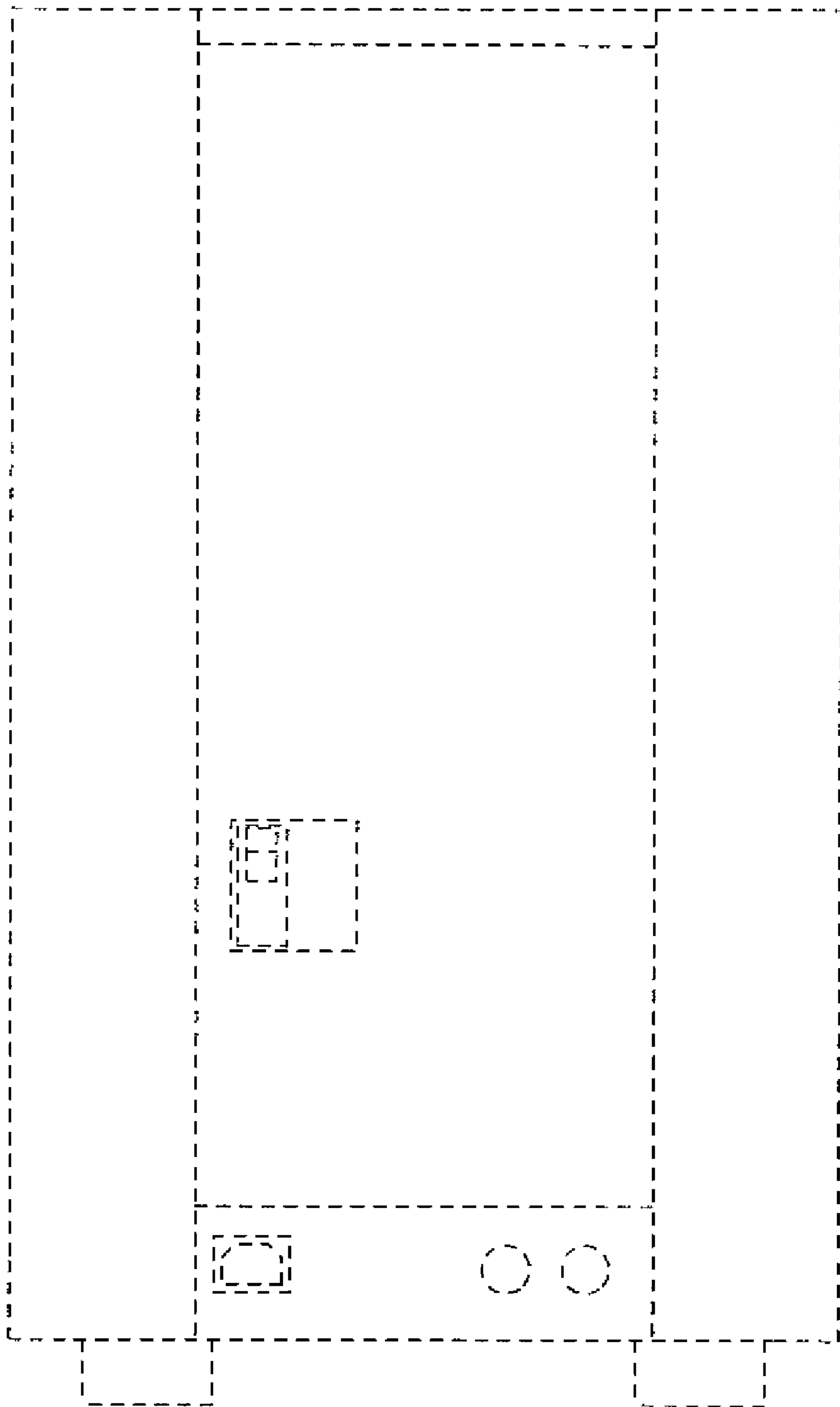




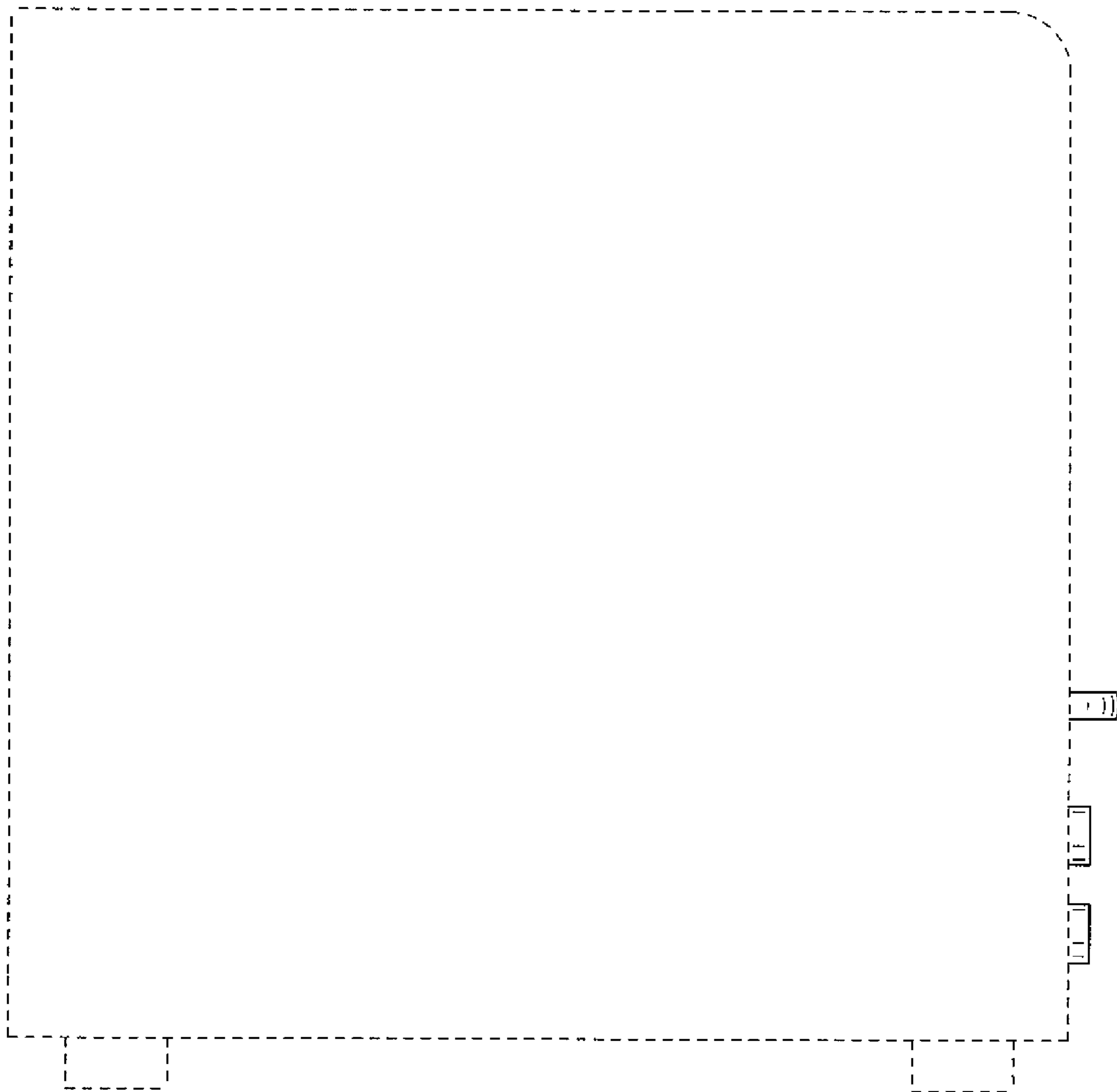
**FIG. 1**



**FIG. 2**



**FIG. 3**



*FIG. 4*

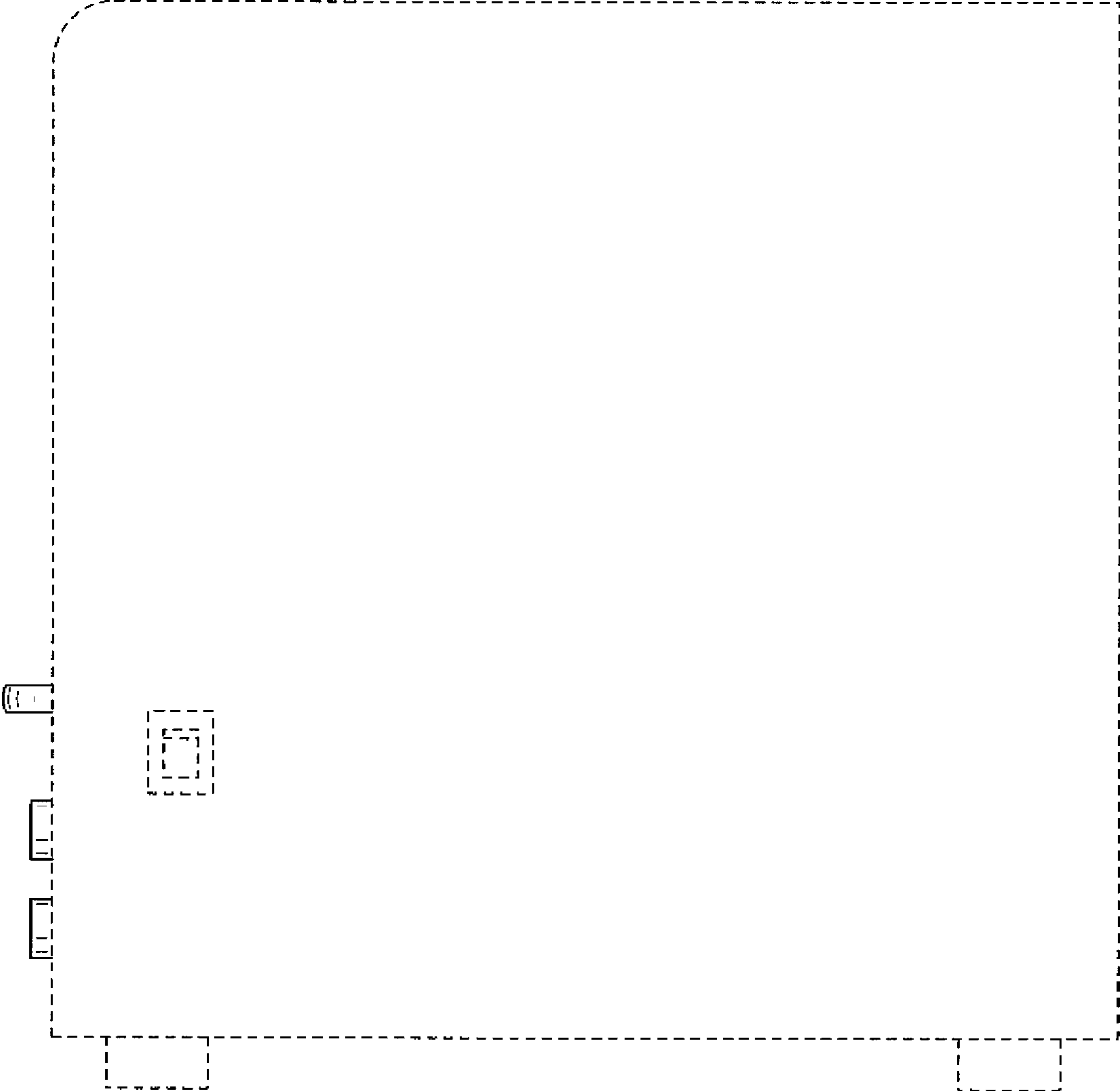
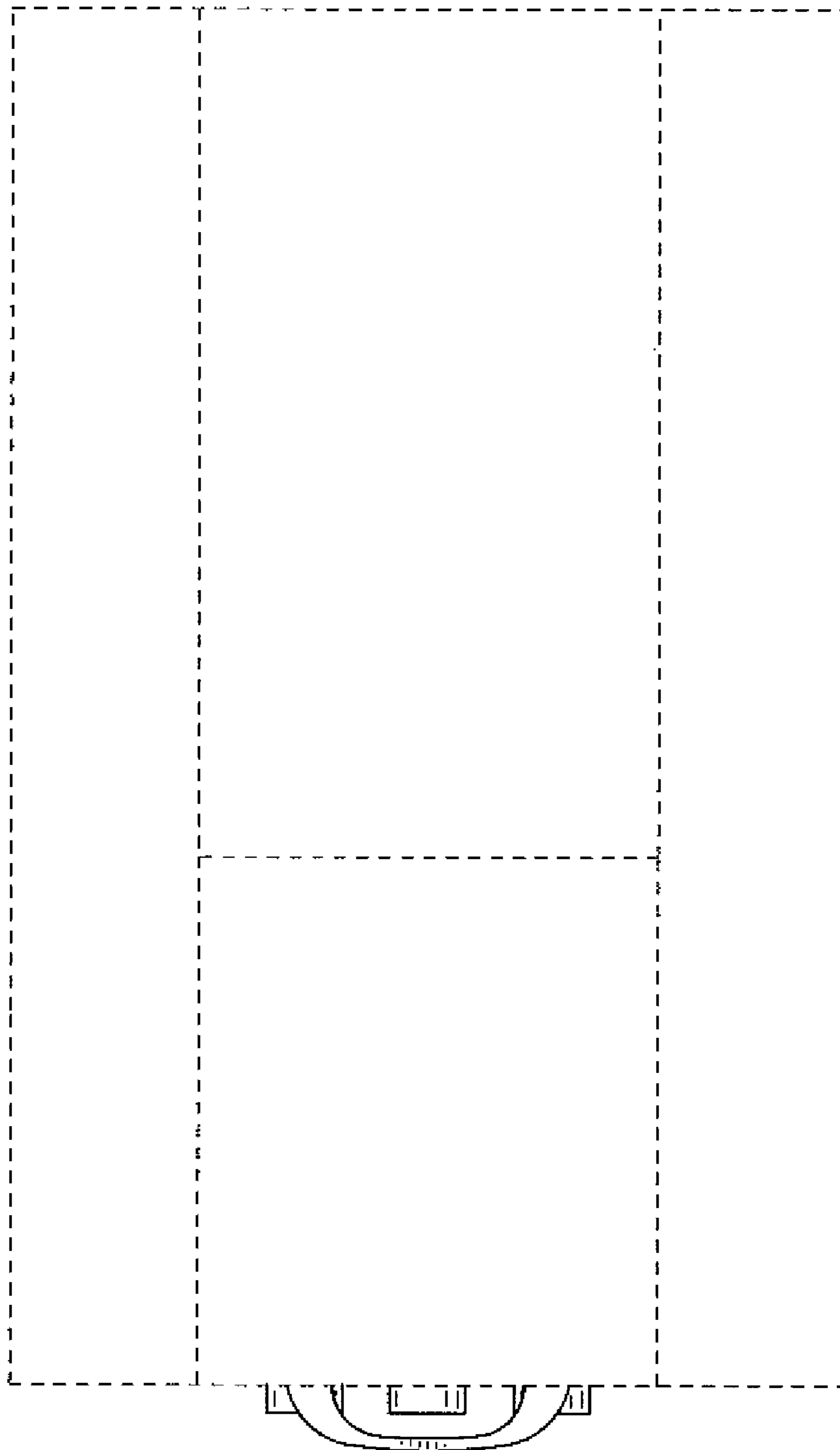
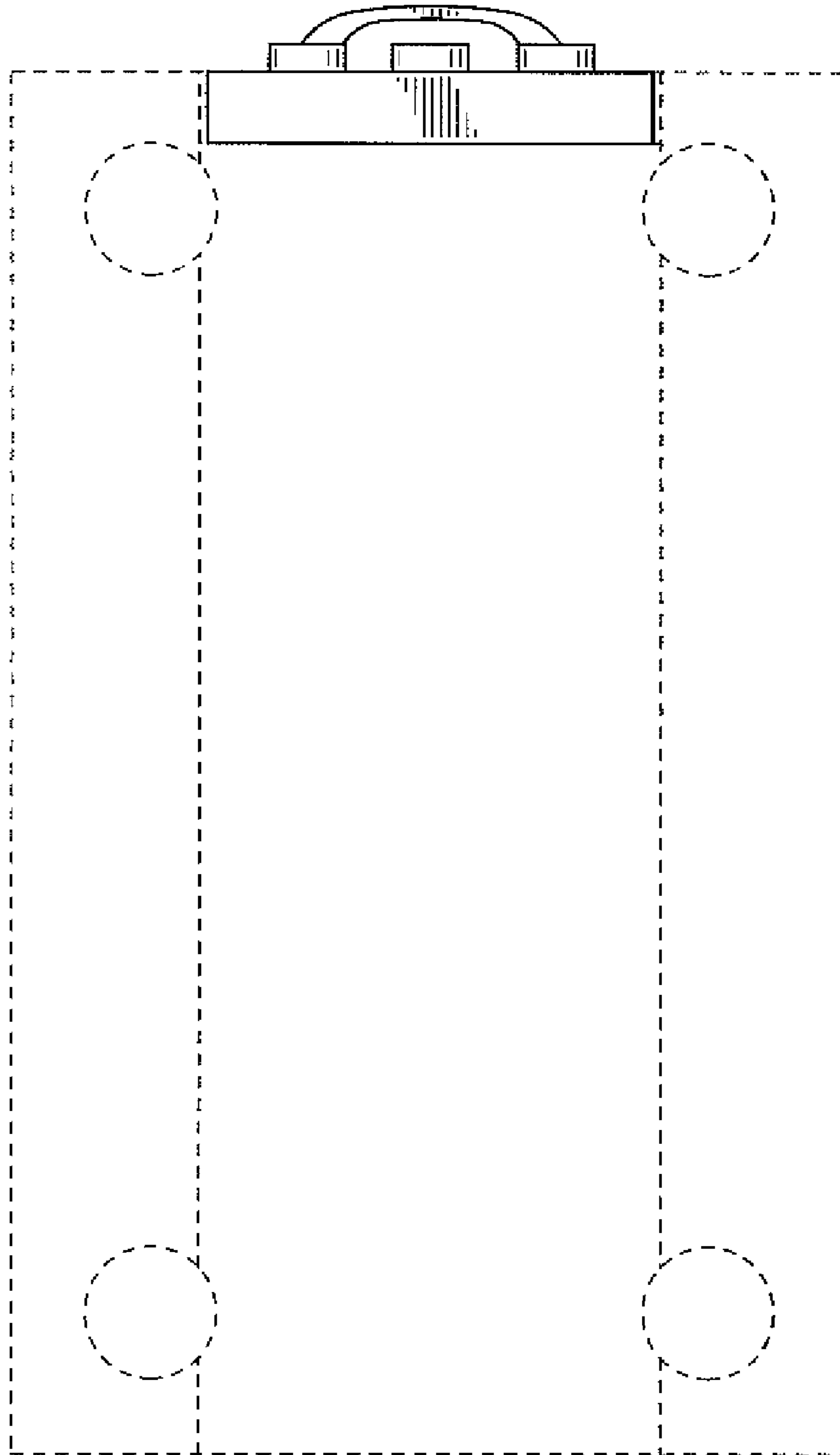


FIG. 5

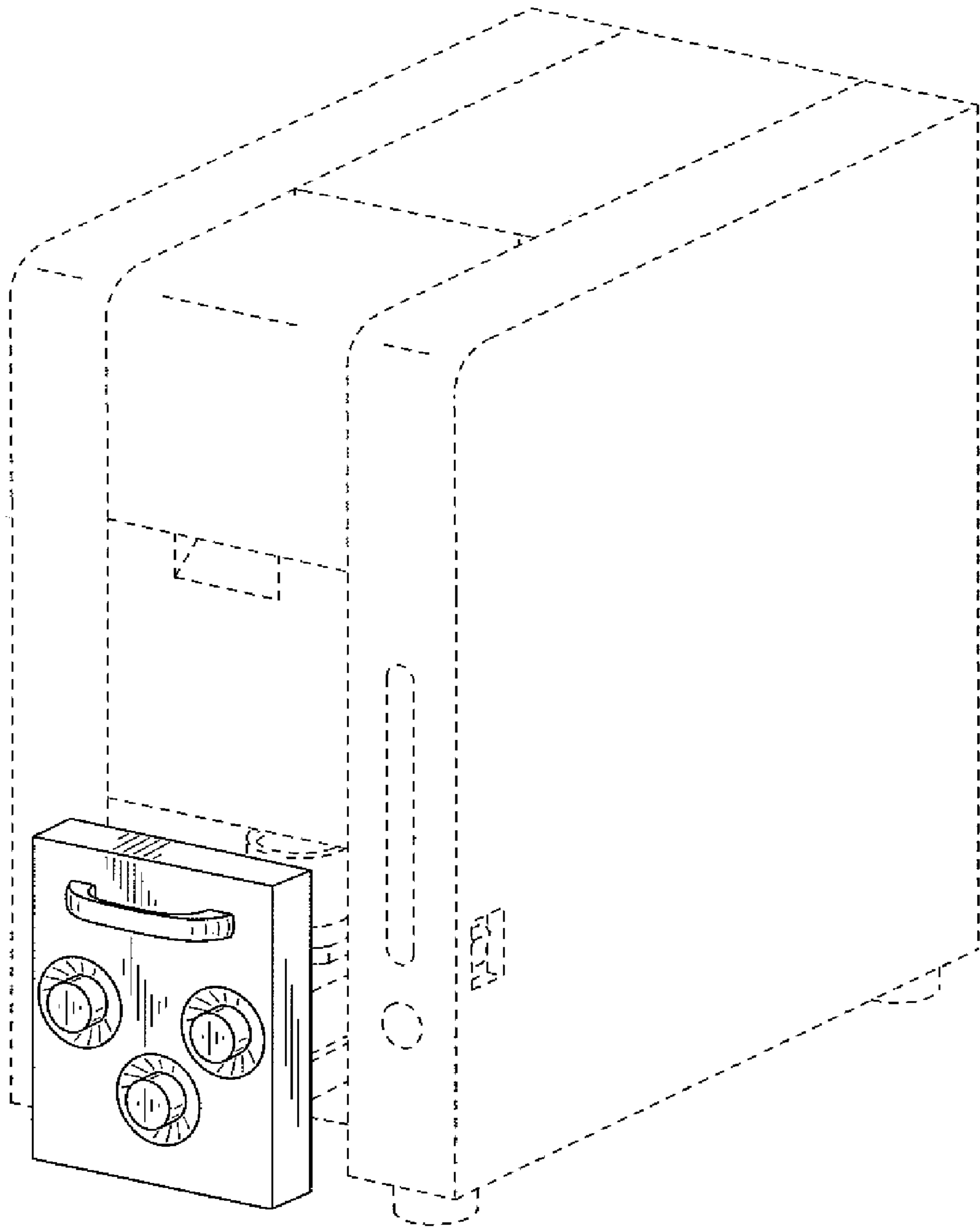


**FIG. 6**



*FIG. 7*





**FIG. 8**