



US00D635166S

(12) **United States Design Patent**  
**Malmberg**

(10) **Patent No.:** **US D635,166 S**

(45) **Date of Patent:** **\*\* Mar. 29, 2011**

(54) **DUST SEALING ELEMENT**

(75) Inventor: **Mats Malmberg**, Rydsgård (SE)

(73) Assignee: **Sandvik Intellectual Property AB**,  
Sandviken (SE)

(\*\*) Term: **14 Years**

(21) Appl. No.: **29/290,535**

(22) Filed: **Dec. 14, 2007**

(30) **Foreign Application Priority Data**

Jun. 15, 2007 (EM) ..... 000740832

(51) **LOC (9) Cl.** ..... **15-09**

(52) **U.S. Cl.** ..... **D15/147**

(58) **Field of Classification Search** ..... D12/317,  
D12/318; D15/147; D25/119, 121, 122,  
D25/124; 49/339, 401; 114/361; 277/644  
See application file for complete search history.

(56) **References Cited**

**U.S. PATENT DOCUMENTS**

2,388,297	A *	11/1945	Slaughter	428/53
D260,557	S *	9/1981	Bowman	D25/121
D299,963	S *	2/1989	Callahan	D25/119
D304,766	S *	11/1989	Weaver et al.	D25/119
D324,368	S *	3/1992	Zirkelbach et al.	D12/317
D337,094	S *	7/1993	Bernstein	D12/317
5,692,758	A *	12/1997	Wikstrom	277/591
6,042,306	A *	3/2000	Arndts et al.	405/279
6,114,004	A *	9/2000	Cydzik et al.	428/81
6,428,244	B1 *	8/2002	Wall	405/279
D471,794	S *	3/2003	Wall	D8/382
6,527,278	B1 *	3/2003	Norris	277/630
D505,211	S *	5/2005	Stanchfield	D25/119
D519,023	S *	4/2006	Wall	D8/382
7,029,013	B2 *	4/2006	Yajima et al.	277/637
D521,364	S *	5/2006	Wall	D8/382
D541,638	S *	5/2007	Heindl	D8/382
D543,100	S *	5/2007	Heindl	D8/382
D547,885	S *	7/2007	Aughton et al.	D25/119
D562,992	S *	2/2008	Szczekocki et al.	D25/121
7,413,386	B2 *	8/2008	Heindl et al.	405/279

7,430,833	B2 *	10/2008	Pulte	52/57
2008/0224422	A1 *	9/2008	Halling	277/644
2008/0309026	A1 *	12/2008	Malmberg	277/644

\* cited by examiner

*Primary Examiner* — Patricia Palasik

(74) *Attorney, Agent, or Firm* — Drinker Biddle & Reath LLP

(57) **CLAIM**

The ornamental design for a dust sealing element, as shown.

**DESCRIPTION**

FIG. 1 is a bottom plan view of a first embodiment of a dust sealing extrusion shown broken away to indicate no particular length;

FIG. 2 is a side view from one side thereof;

FIG. 3 is a side view of the other side thereof;

FIG. 4 is a top plan view thereof.

FIG. 5 is an end view from one end thereof;

FIG. 6 is an end view from another end thereof; and

FIG. 7 is a perspective view thereof.

FIG. 8 is a side view from one side of a second embodiment of a part of a dust sealing profile.

FIG. 9 is a side view from the right side thereof;

FIG. 10 is a top plan view thereof;

FIG. 11 is a side view from the left side thereof;

FIG. 12 is a side view from the other side thereof compared to FIG. 8;

FIG. 13 is a bottom plan view thereof; and

FIG. 14 is a perspective view thereof.

FIG. 15 is a side view from one side of a third embodiment of a part of a dust sealing profiles;

FIG. 16 is a bottom plan view thereof;

FIG. 17 is a side view from a second side thereof compared to FIG. 15

FIG. 18 is a top plan view thereof;

FIG. 19 is a perspective view thereof;

FIG. 20 is a side view from a third side thereof compared to FIG. 15; and,

FIG. 21 is a side view from the left side thereof.

**1 Claim, 6 Drawing Sheets**

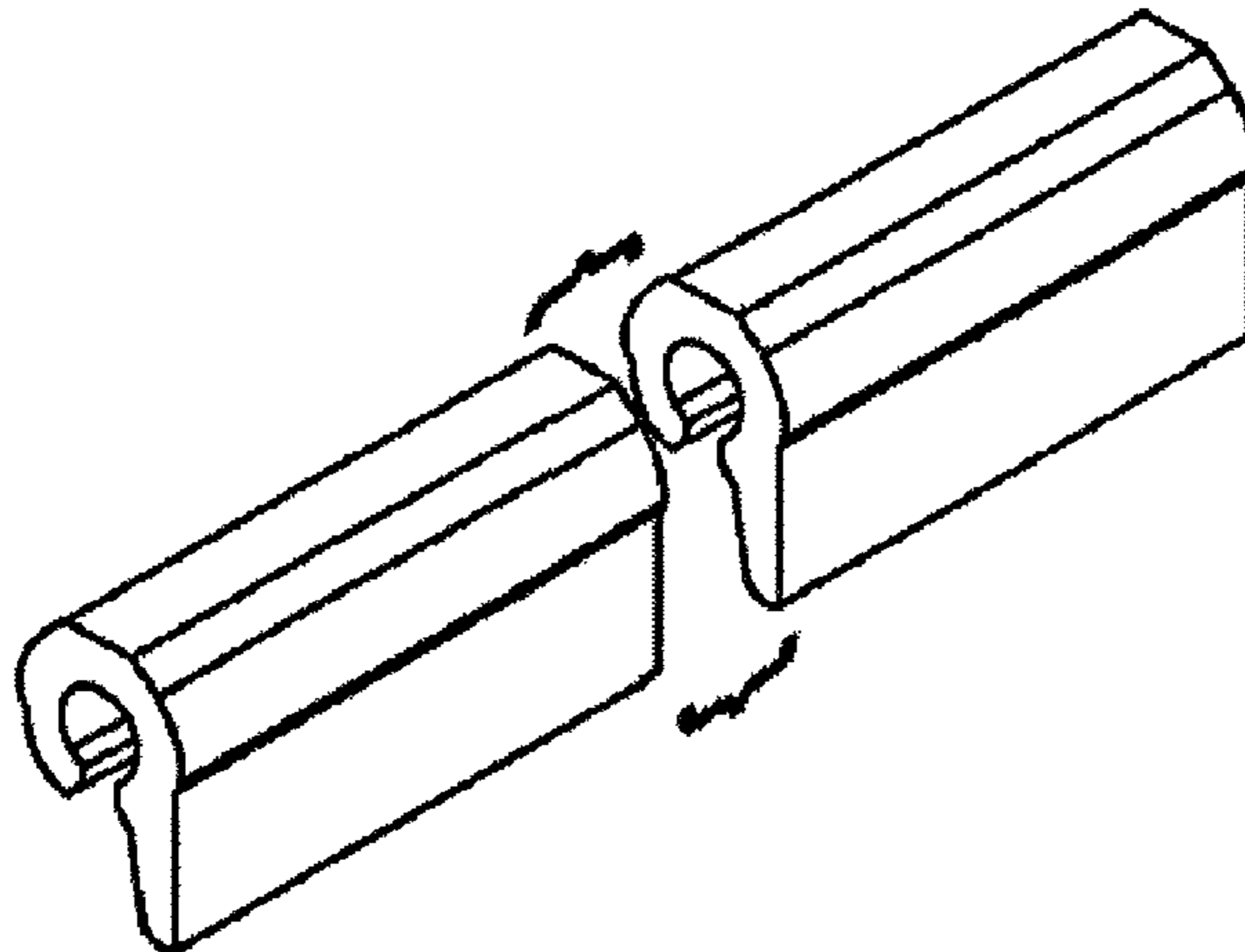


FIG. 1

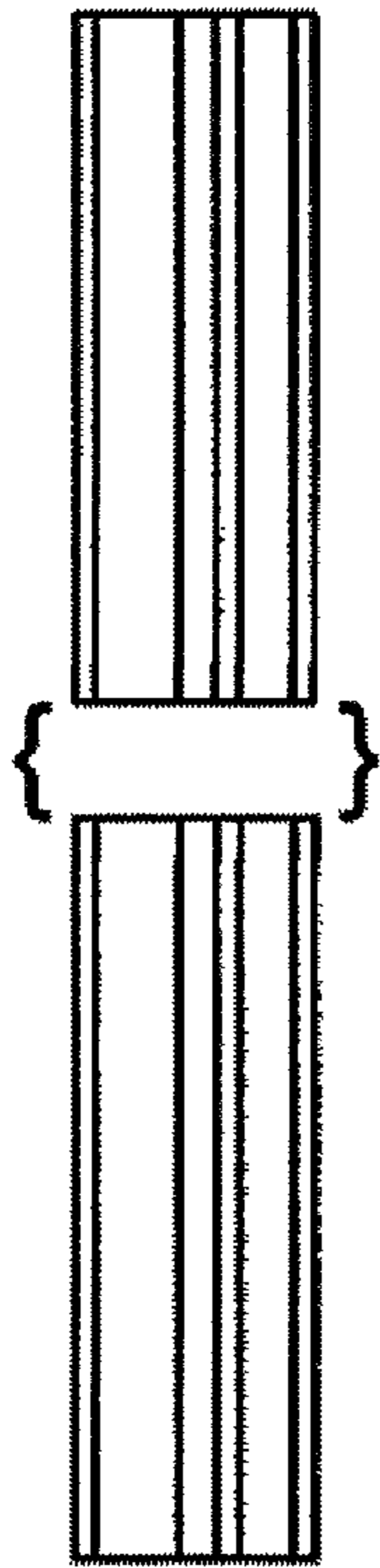


FIG. 4

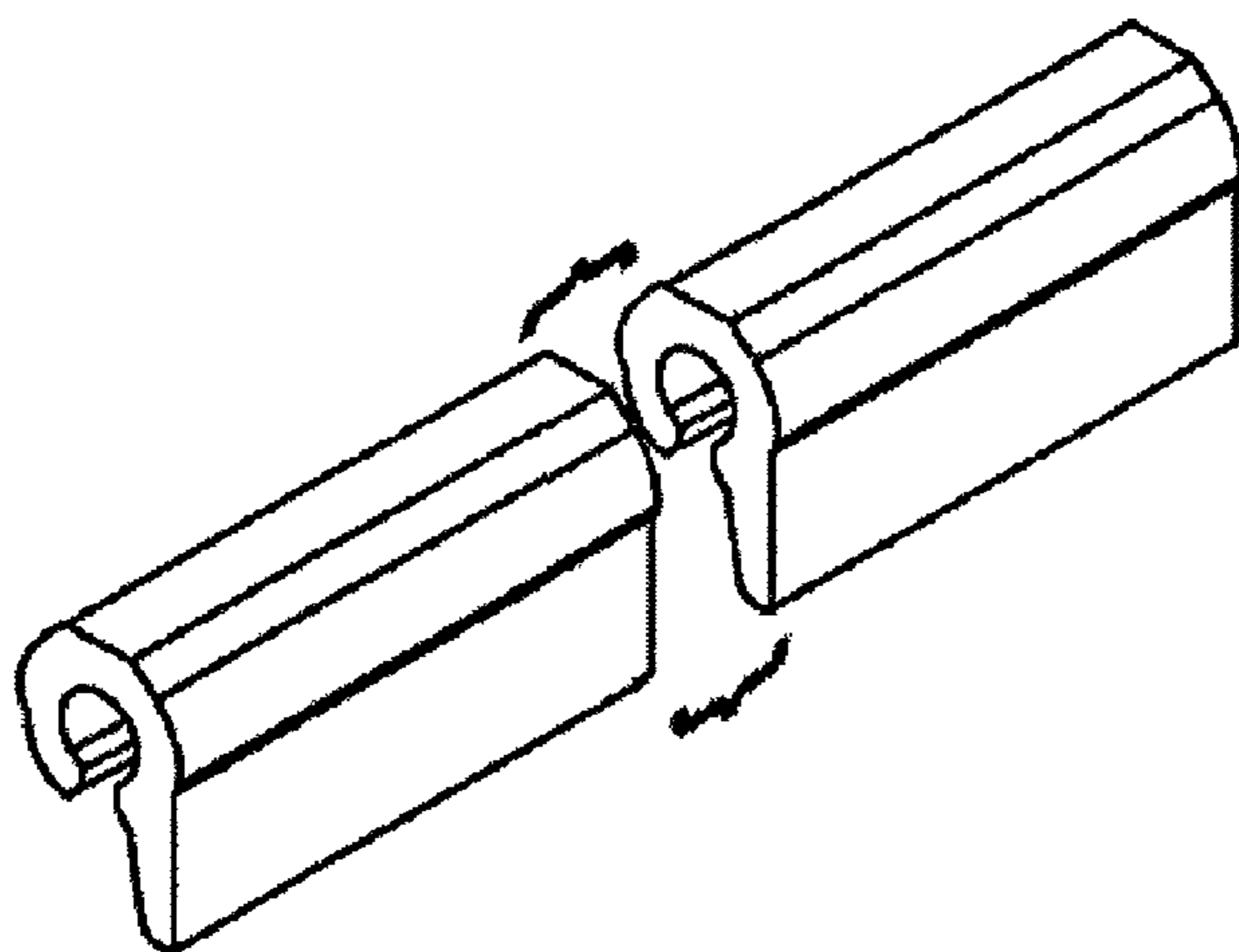
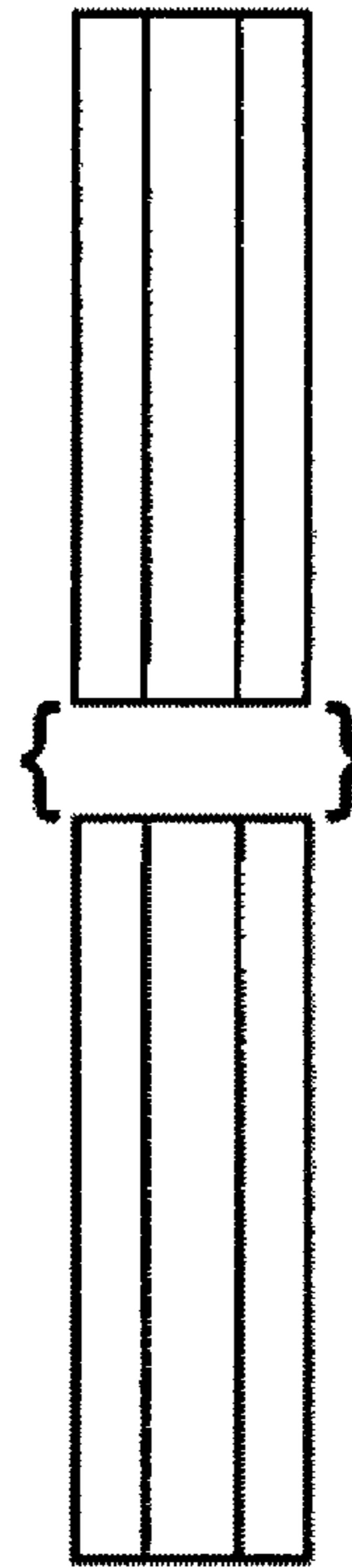


FIG. 7



FIG. 5

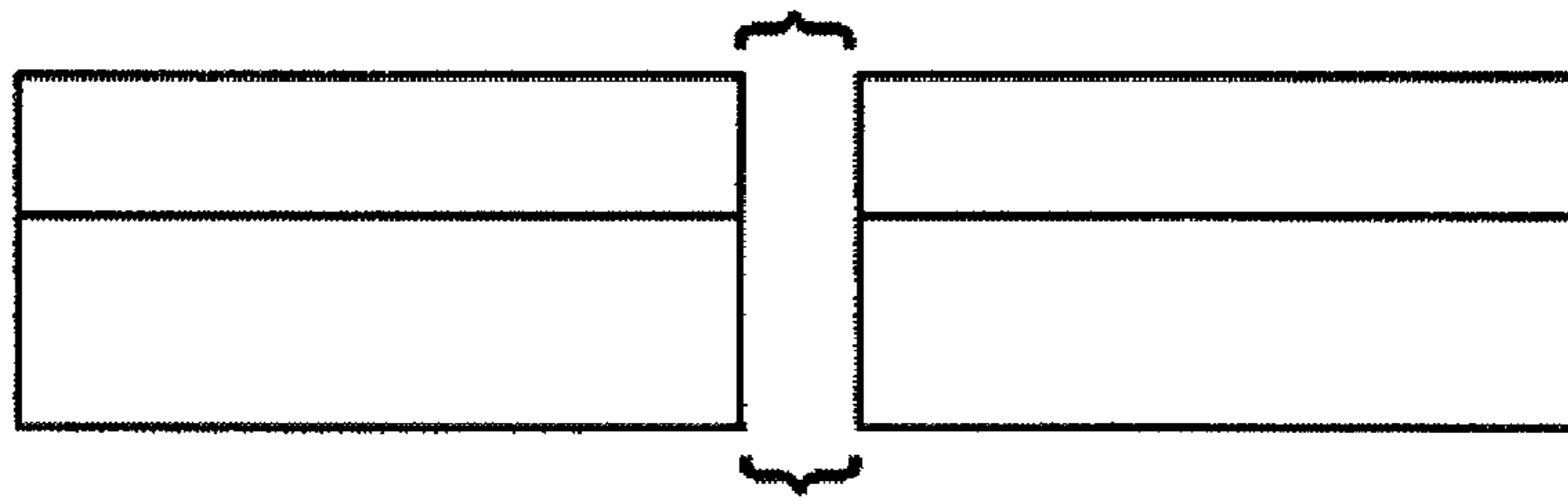


FIG. 2



FIG. 6

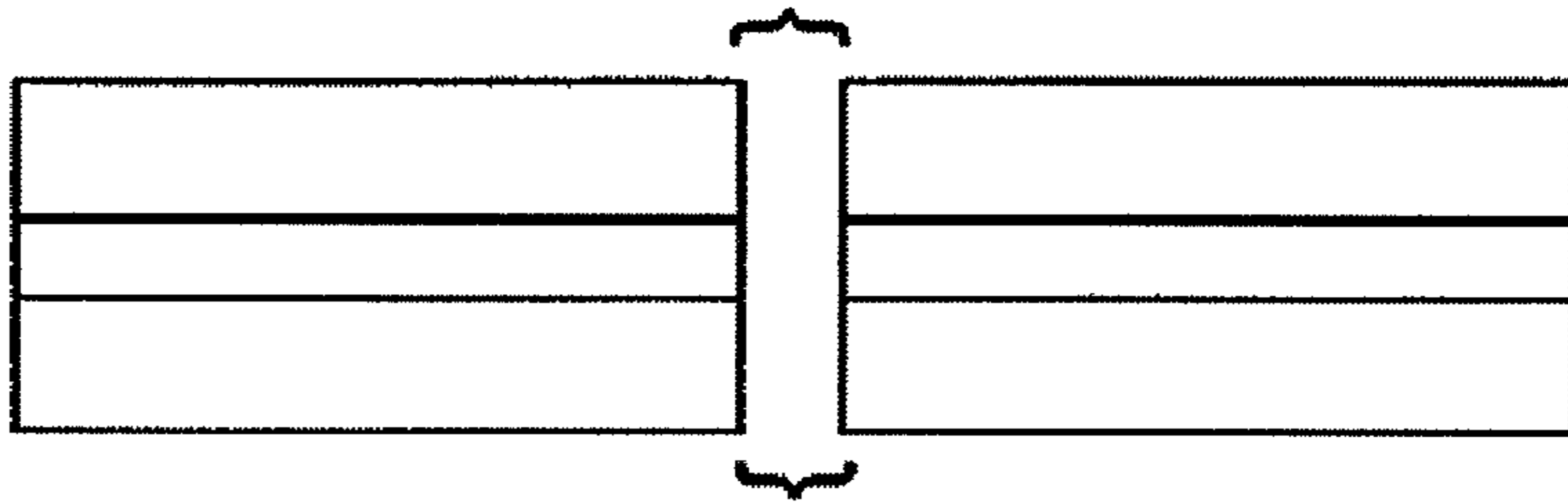


FIG. 3

FIG. 8

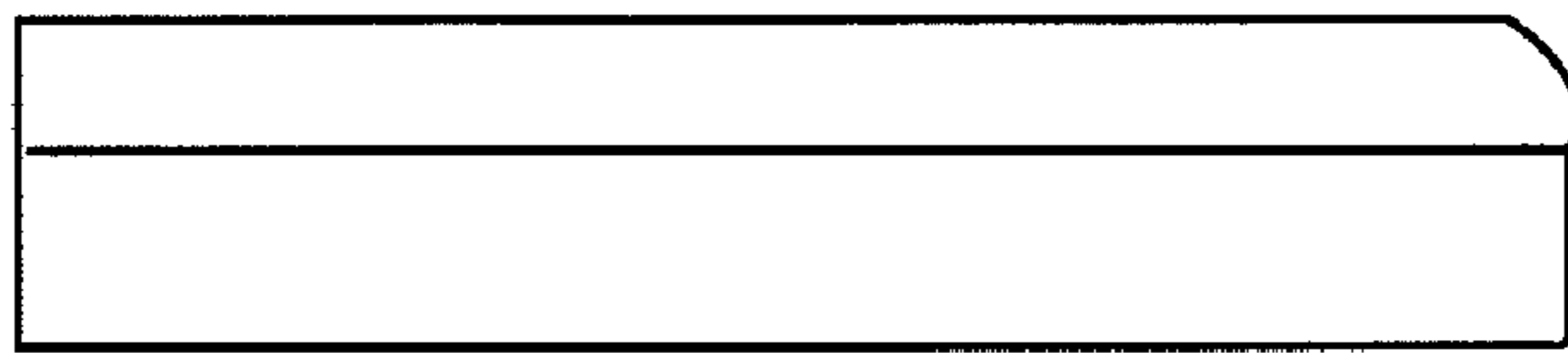


FIG. 9

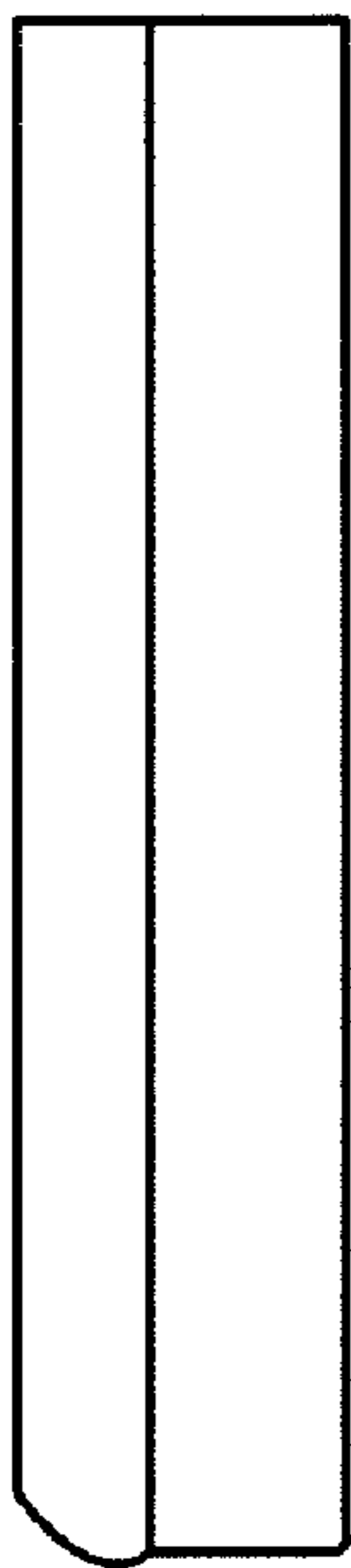


FIG. 10

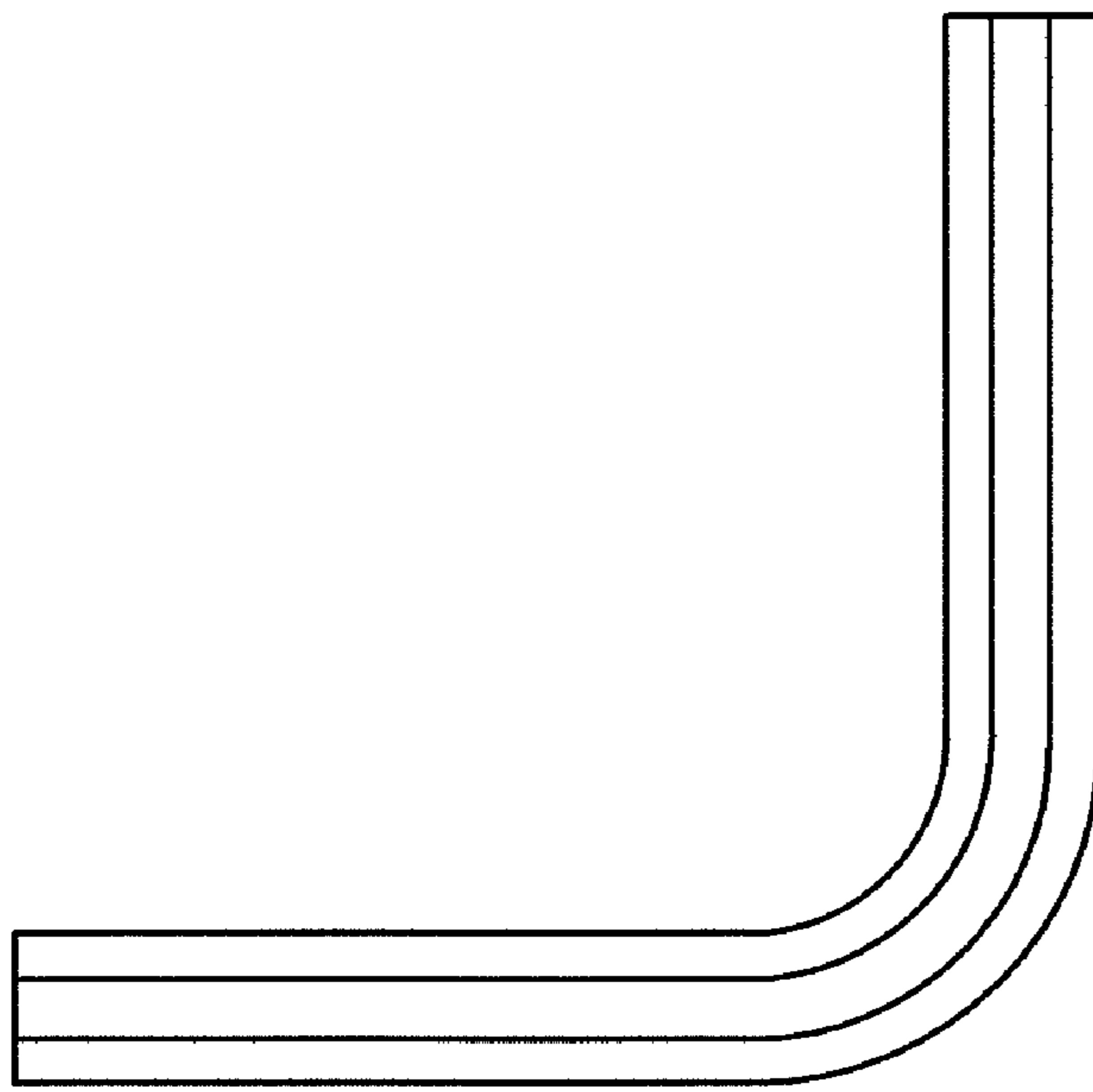


FIG. 11

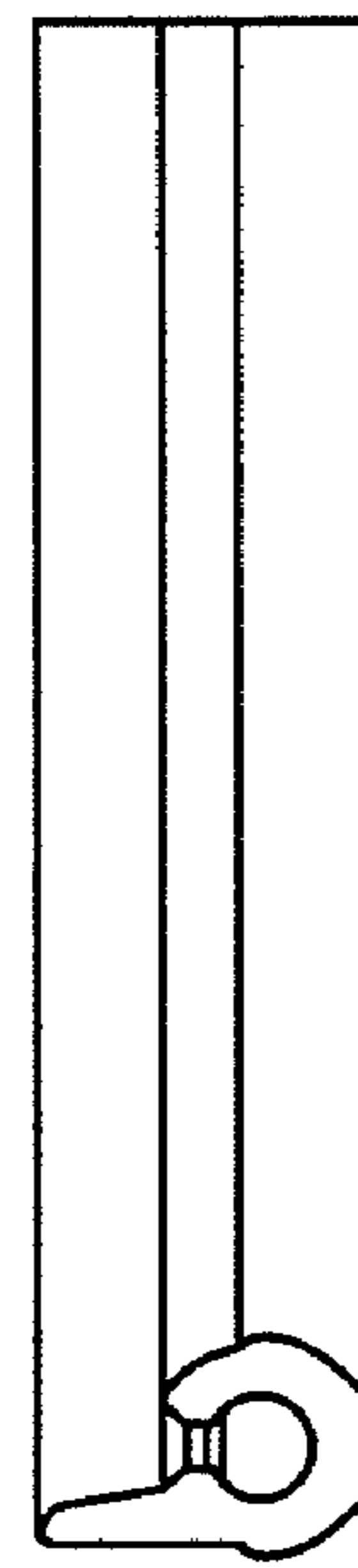


FIG. 12

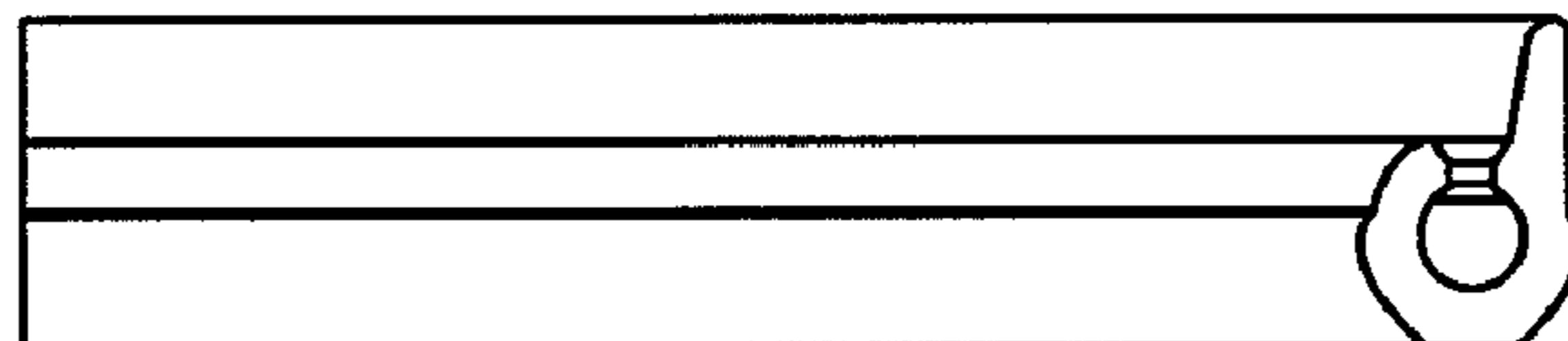


FIG. 13

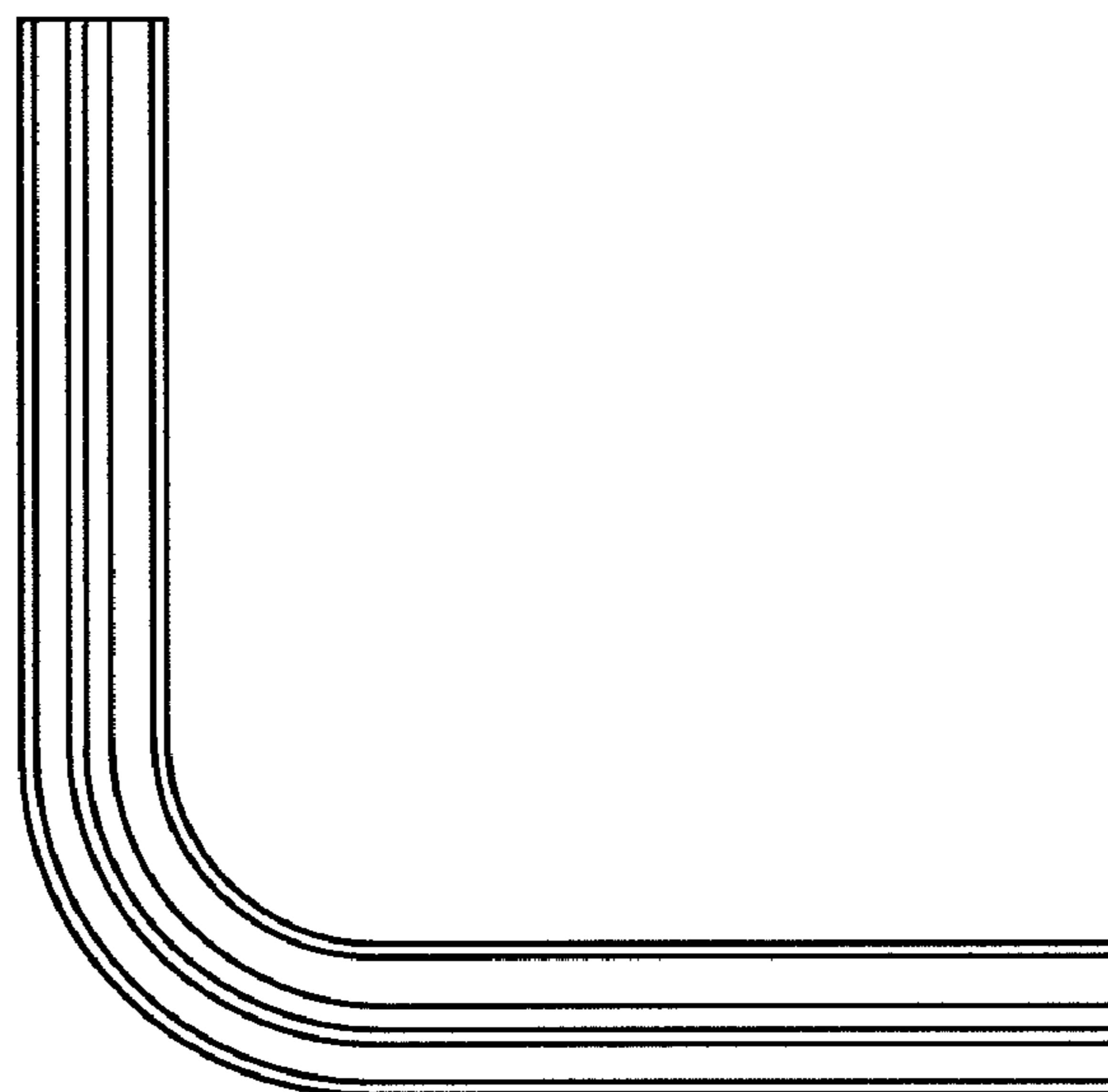


FIG. 14

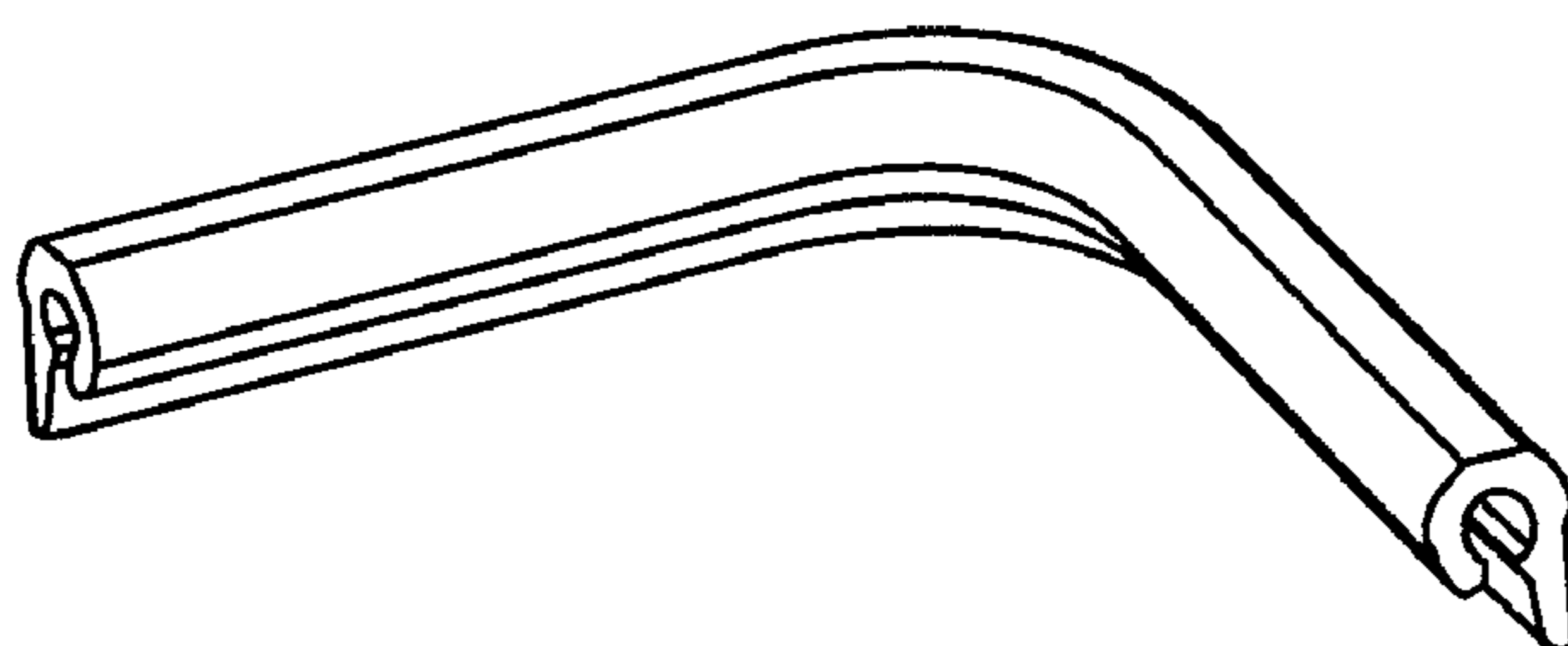


FIG. 15

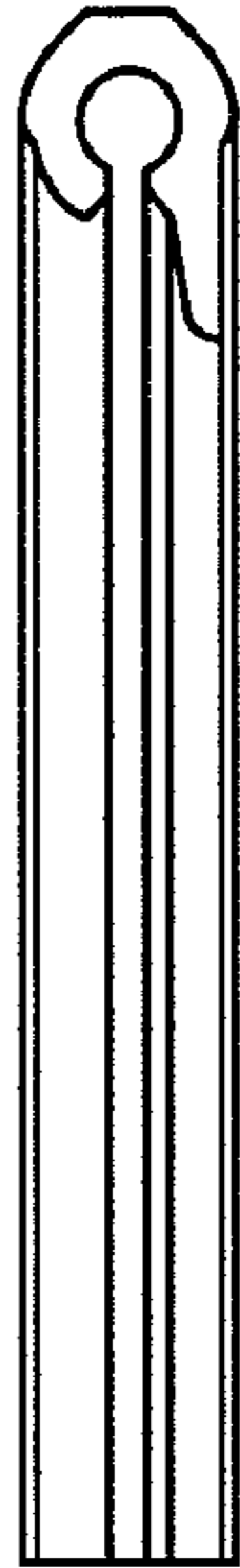


FIG. 16

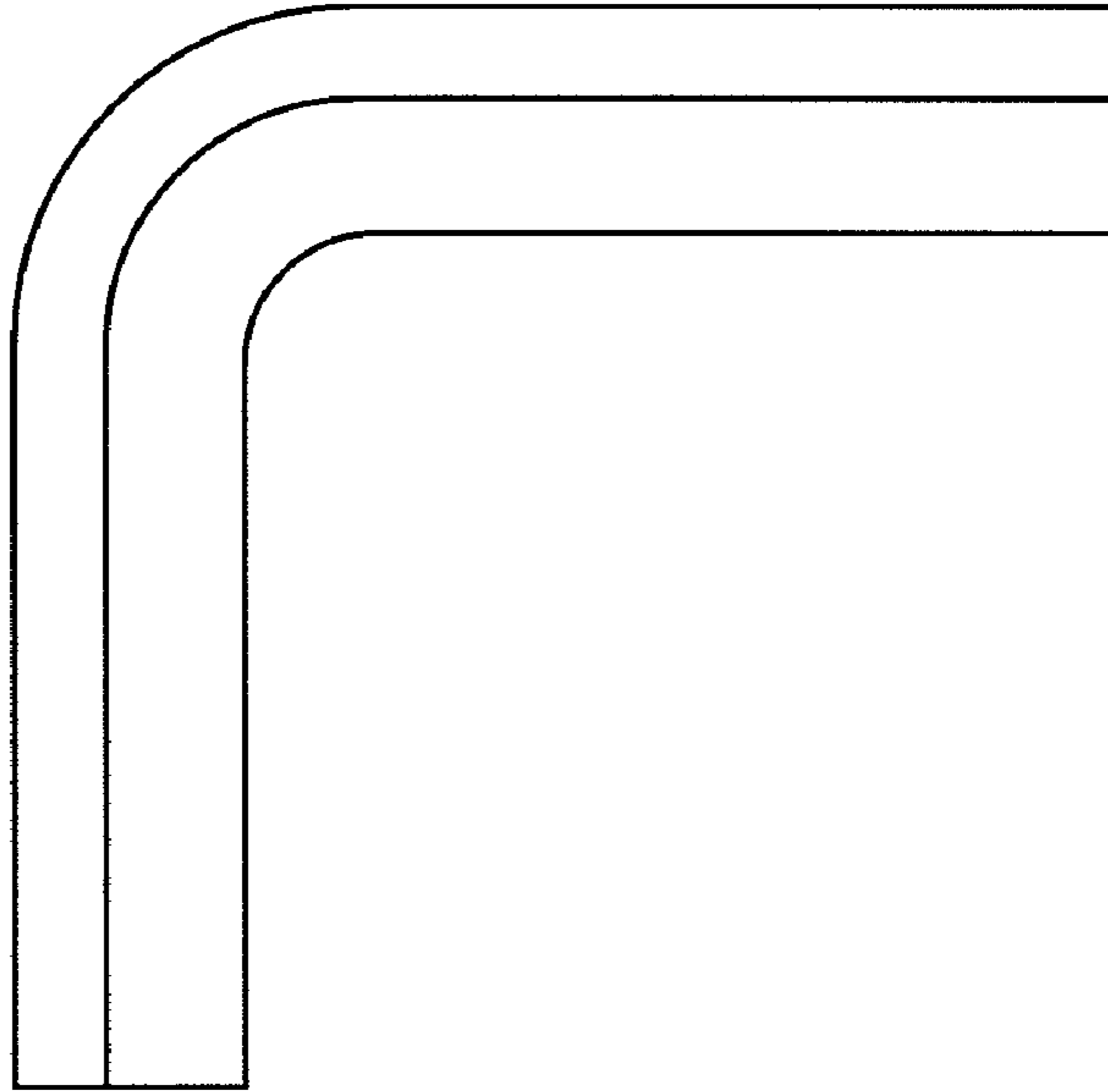


FIG. 17



FIG. 18

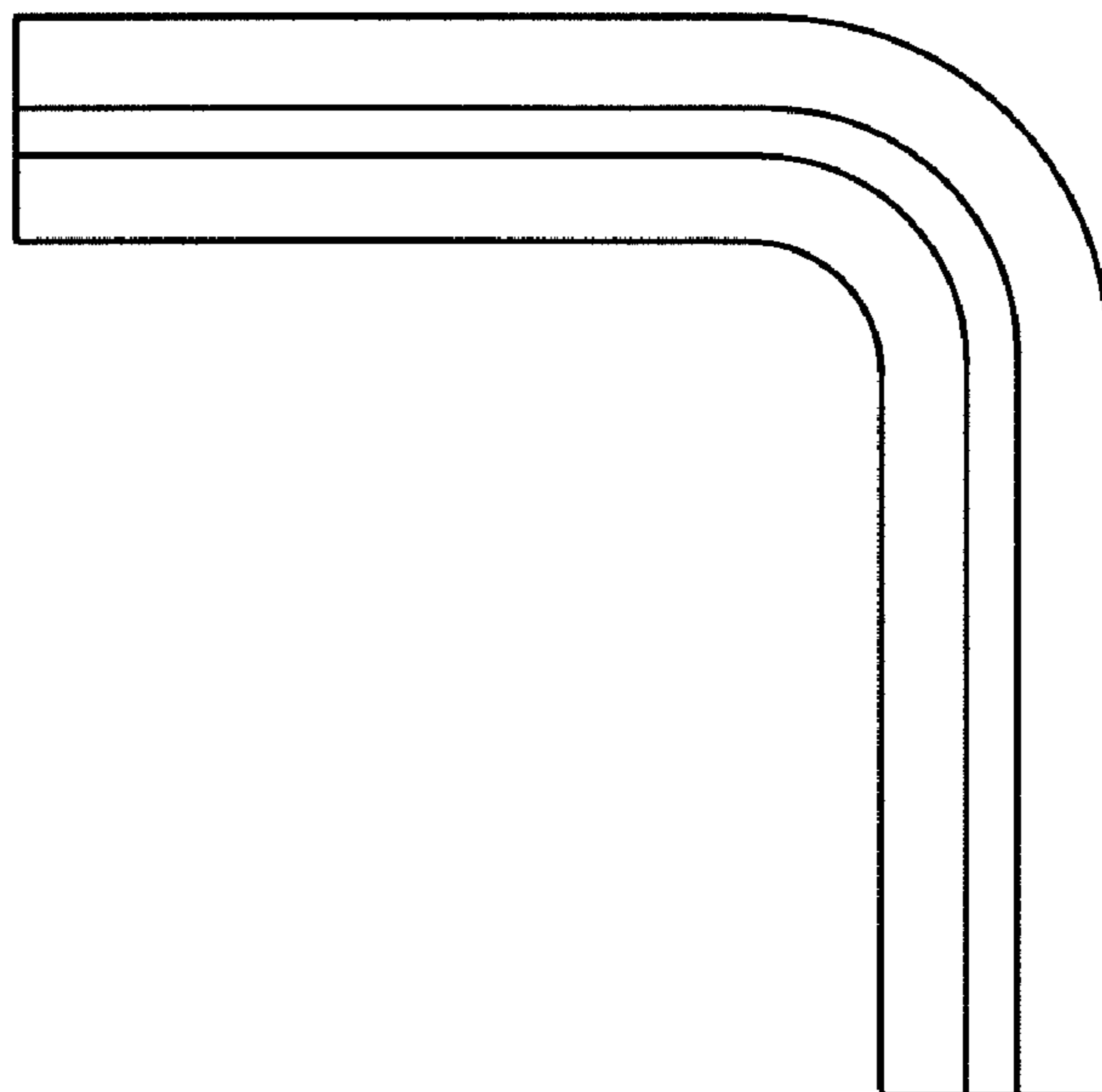


FIG. 19

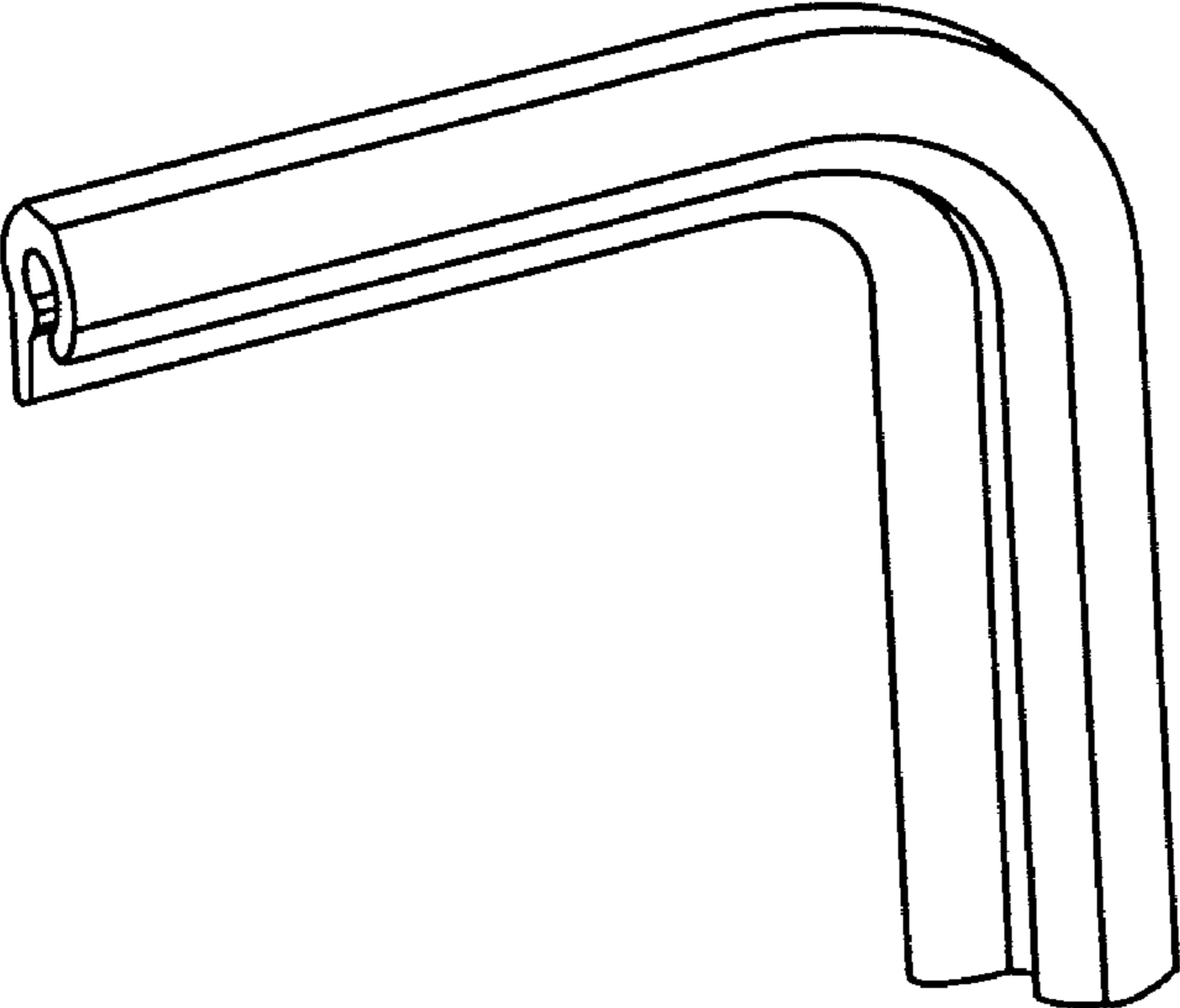


FIG. 20



FIG. 21

