



US00D635162S

(12) **United States Design Patent**
Johansen

(10) **Patent No.:** **US D635,162 S**
(45) **Date of Patent:** **** Mar. 29, 2011**

(54) **ABRADING MACHINE**

(75) Inventor: **Tommy Johansen**, Värnamo (SE)

(73) Assignee: **Nibbler Sales AB**, Gnosjo (SE)

(**) Term: **14 Years**

(21) Appl. No.: **29/357,762**

(22) Filed: **Mar. 17, 2010**

(30) **Foreign Application Priority Data**

Sep. 18, 2009 (EM) 001613068

(51) **LOC (9) Cl.** **15-09**

(52) **U.S. Cl.** **D15/125**

(58) **Field of Classification Search** D8/62,
D8/63; D15/124, 125, 126; 144/1 R, 1 A,
144/16; 451/72, 259-262

See application file for complete search history.

(56) **References Cited**

U.S. PATENT DOCUMENTS

2,656,651 A * 10/1953 Seyferth 451/239
3,634,979 A * 1/1972 Robillard et al. 451/14
3,888,050 A * 6/1975 Elm 451/57

4,617,764 A * 10/1986 Reibakh 451/362
D326,463 S * 5/1992 Jacks D15/125
D328,604 S * 8/1992 Chien D15/124
5,139,005 A * 8/1992 Dodd 451/72
D340,729 S * 10/1993 Baughman D15/124
5,577,951 A * 11/1996 Jabcon, Jr. 451/51
6,217,409 B1 * 4/2001 Stadtfeld et al. 451/5
6,796,877 B1 * 9/2004 Bingham et al. 451/5
D530,728 S * 10/2006 Liao D15/124

* cited by examiner

Primary Examiner — Patricia Palasik

(74) *Attorney, Agent, or Firm* — WRB-IP LLP

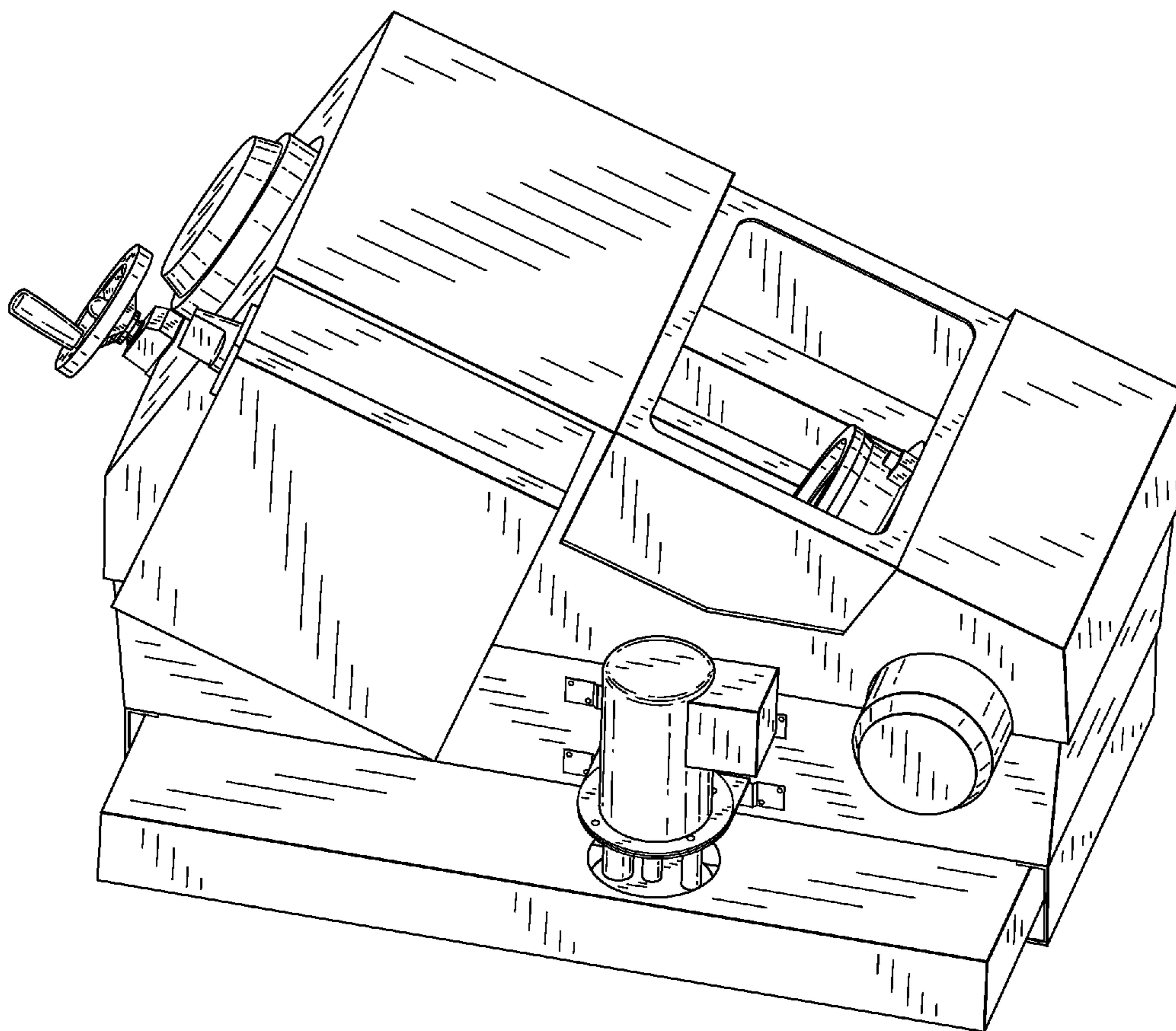
(57) **CLAIM**

The ornamental design for an abrading machine, as shown and described.

DESCRIPTION

FIG. 1 is a right perspective view of an abrading machine; FIG. 2 is a left perspective view of an abrading machine; FIG. 3 is a left side view of an abrading machine; FIG. 4 is a right side view of an abrading machine; FIG. 5 is a rear view of an abrading machine; FIG. 6 is a front view of an abrading machine; and, FIG. 7 is a top view an abrading machine.

1 Claim, 7 Drawing Sheets



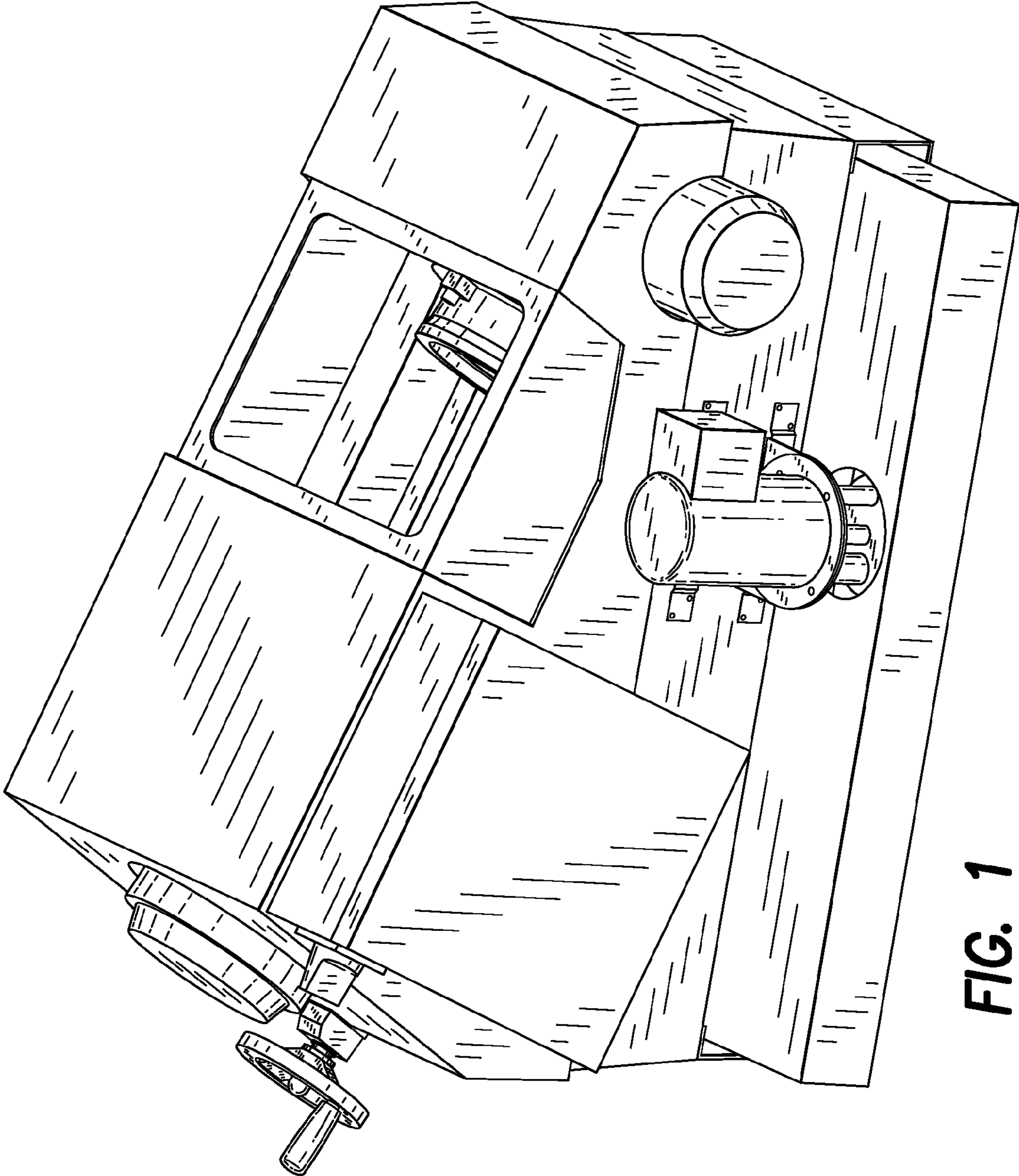


FIG. 1

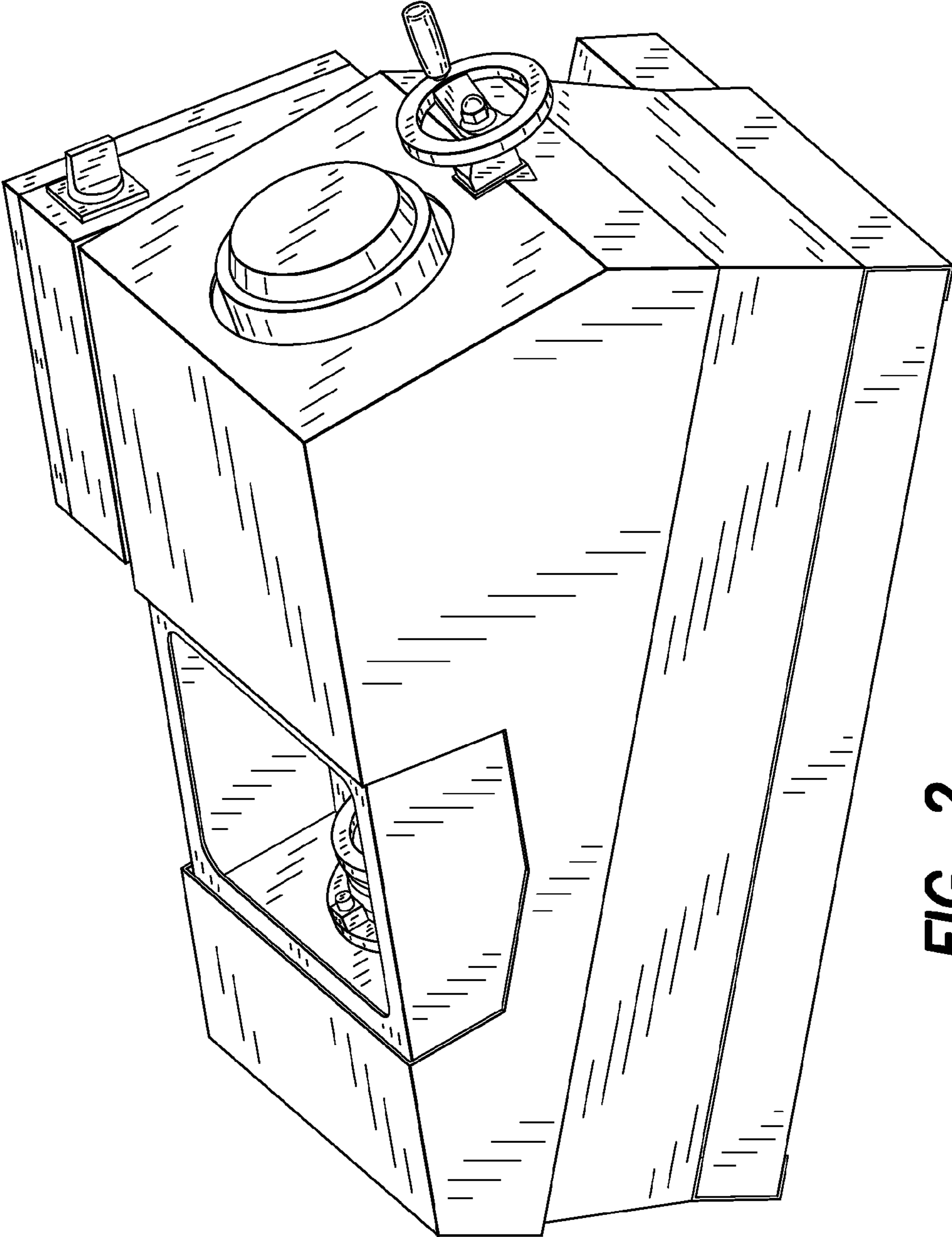


FIG. 2

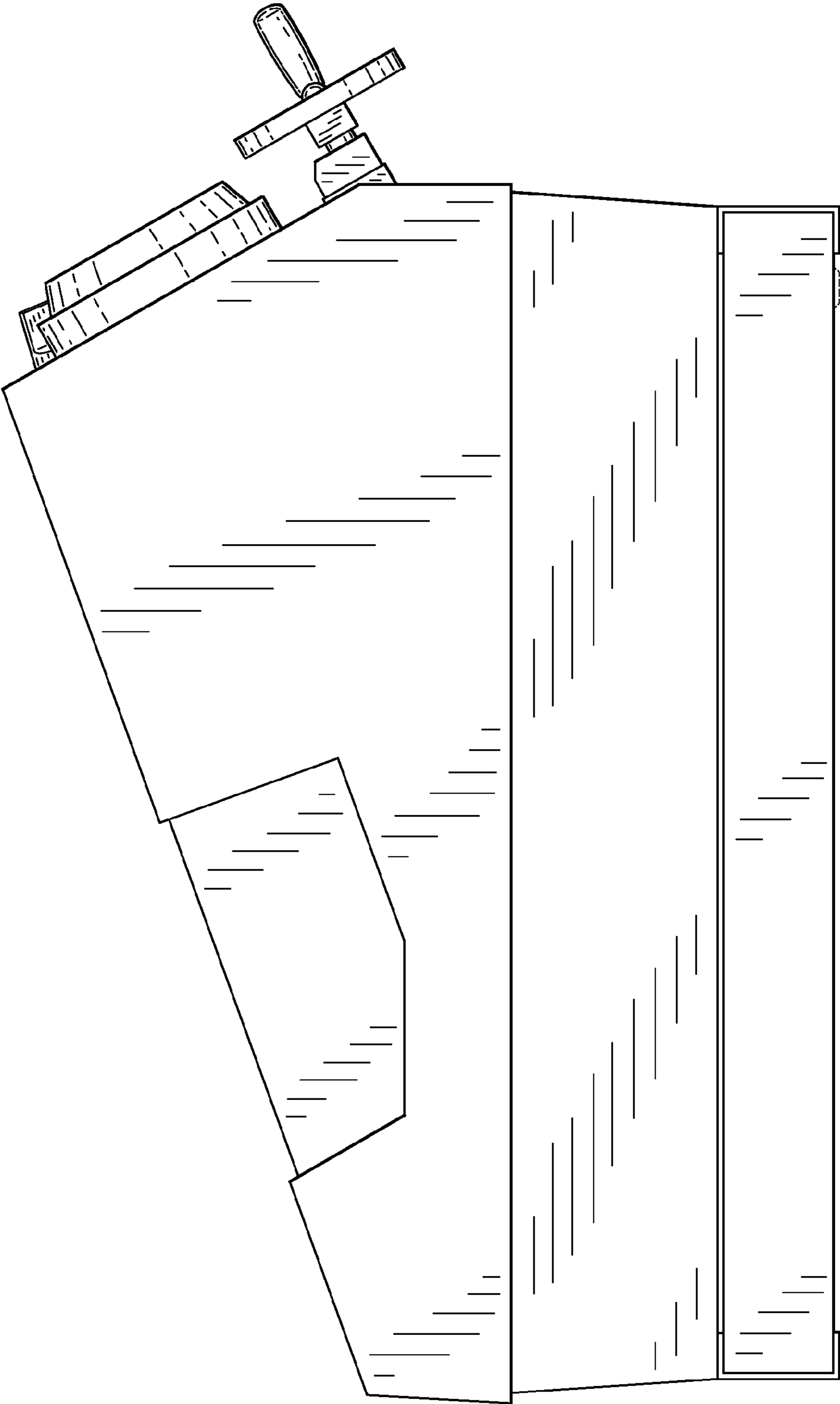


FIG. 3

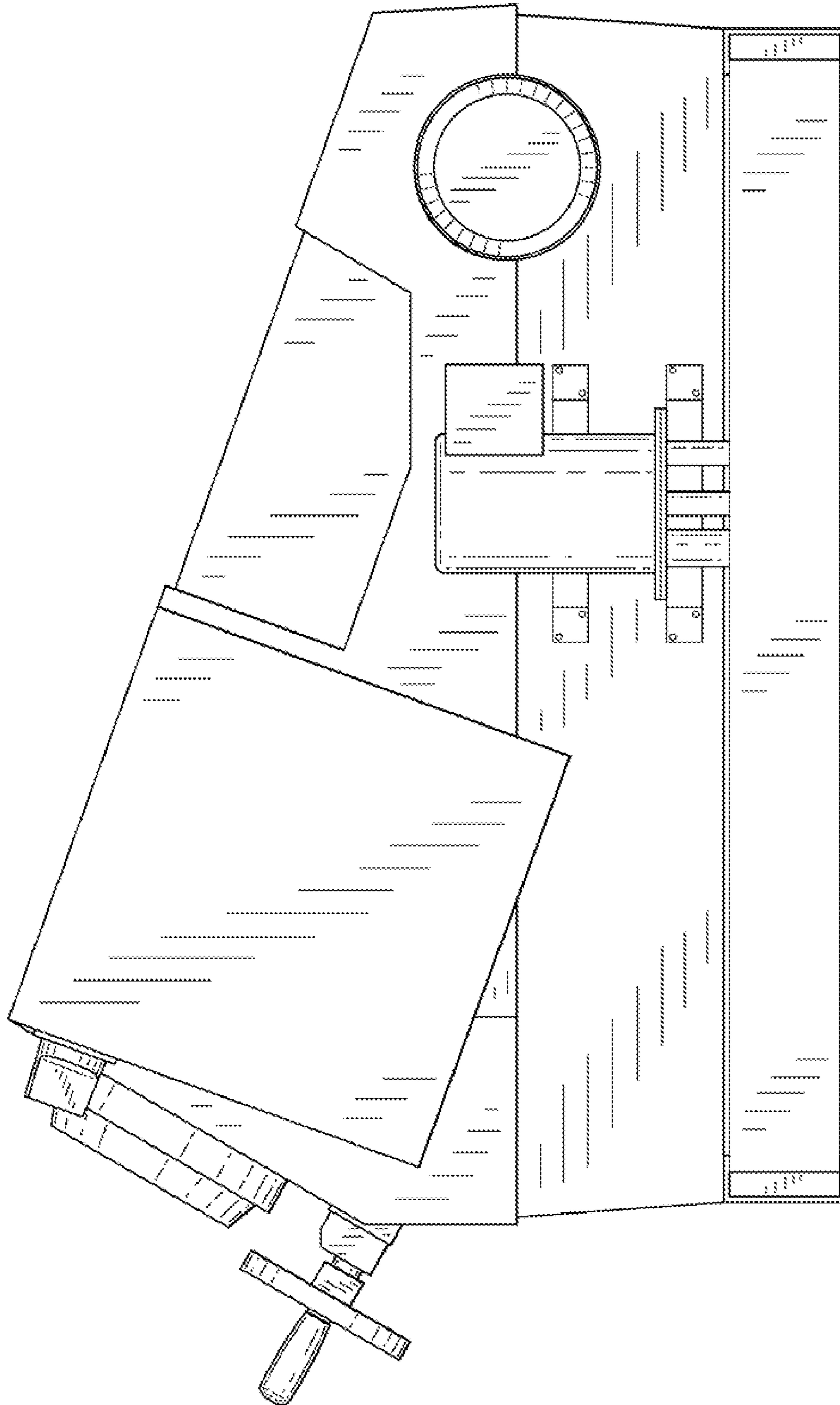


FIG. 4

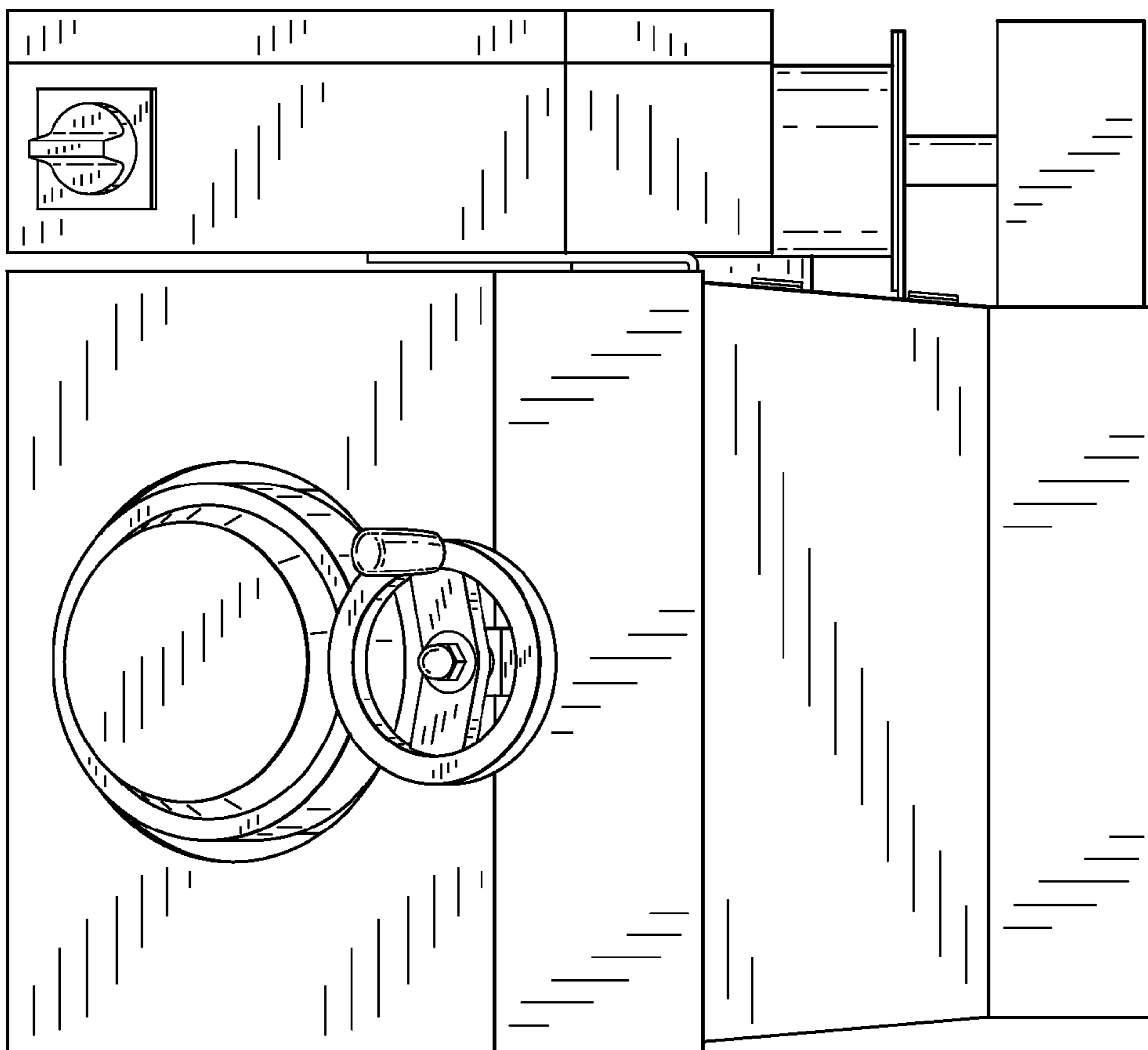


FIG. 5

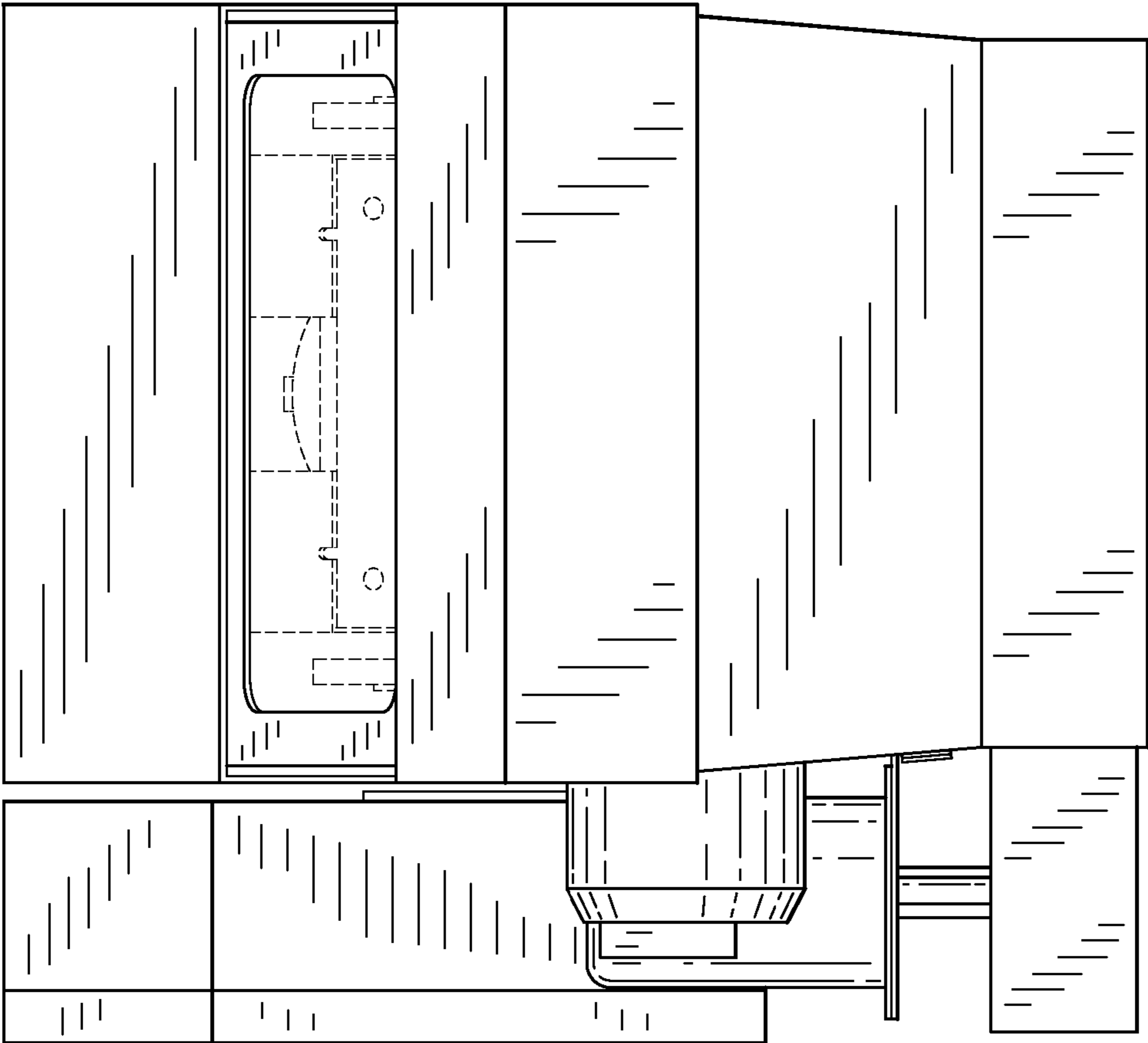


FIG. 6

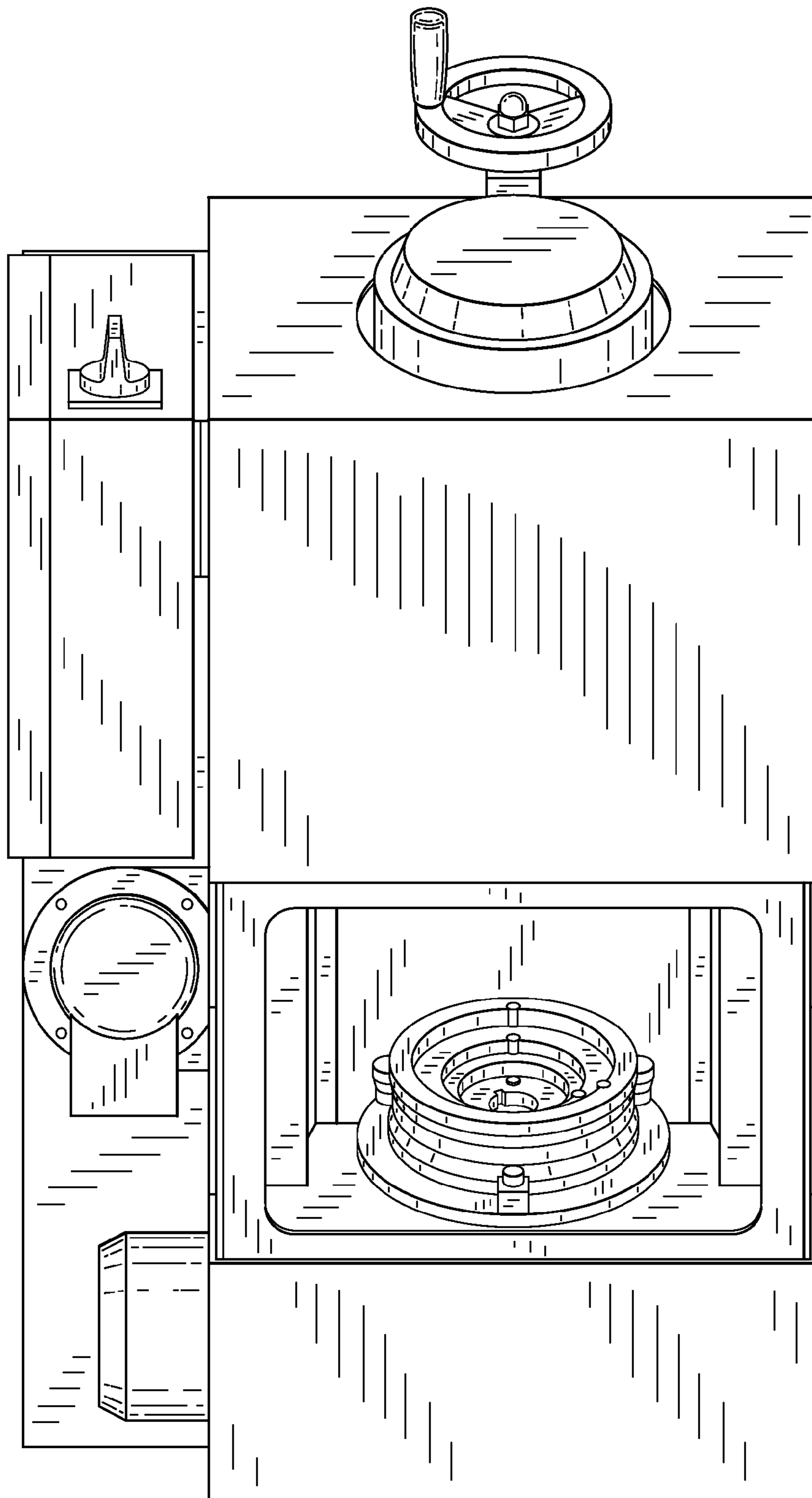


FIG. 7