



US00D635159S

(12) **United States Design Patent**  
**Berning et al.**

(10) **Patent No.:** **US D635,159 S**

(45) **Date of Patent:** **\*\* Mar. 29, 2011**

(54) **BODY PANELS FOR A CONSTRUCTION MACHINE**

(75) Inventors: **Christian Berning**, Brühl (DE);  
**Thomas Kramer**, Königswinter (DE);  
**Cyrus Barimani**, Königswinter (DE);  
**Günter Hähn**, Königswinter (DE)

(73) Assignee: **Wirtgen GmbH** (DE)

(\*\*) Term: **14 Years**

(21) Appl. No.: **29/369,588**

(22) Filed: **Sep. 10, 2010**

(30) **Foreign Application Priority Data**

Mar. 19, 2010	(EM)	001683582-0001
Mar. 19, 2010	(EM)	001683582-0002
Mar. 19, 2010	(EM)	001683582-0003
Mar. 19, 2010	(EM)	001683582-0004
Mar. 19, 2010	(EM)	001683582-0005
Mar. 19, 2010	(EM)	001683582-0006
Mar. 19, 2010	(EM)	001683582-0007
Mar. 19, 2010	(EM)	001683582-0008
Mar. 19, 2010	(EM)	001683582-0009
Mar. 19, 2010	(EM)	001683582-0010
Mar. 19, 2010	(EM)	001683582-0011
Mar. 19, 2010	(EM)	001683582-0012
Mar. 19, 2010	(EM)	001683582-0013
Mar. 19, 2010	(EM)	001683582-0014
Mar. 19, 2010	(EM)	001683582-0015
Mar. 19, 2010	(EM)	001683582-0016
Mar. 19, 2010	(EM)	001683707-0001
Mar. 19, 2010	(EM)	001683707-0002
Mar. 19, 2010	(EM)	001683707-0003
Mar. 19, 2010	(EM)	001683707-0004
Mar. 19, 2010	(EM)	001683707-0005
Mar. 19, 2010	(EM)	001683707-0006
Mar. 19, 2010	(EM)	001683707-0007
Apr. 23, 2010	(EM)	001699323

(51) **LOC (9) Cl.** ..... **15-03**

(52) **U.S. Cl.** ..... **D15/33; D15/28**

(58) **Field of Classification Search** ..... D15/10,  
D15/13, 19, 22-26, 28, 33; 404/110, 101,  
404/108, 75, 102, 118, 84.05, 105  
See application file for complete search history.

(56) **References Cited**

**U.S. PATENT DOCUMENTS**

D135,005	S	*	2/1943	Baumgardner	.....	D15/10
3,000,277	A	*	9/1961	Crane et al.	.....	404/118
D239,966	S	*	5/1976	Swisher et al.	.....	D15/22
3,997,277	A	*	12/1976	Swisher et al.	.....	404/84.05
D258,887	S	*	4/1981	Swisher et al.	.....	D15/24

(Continued)

**OTHER PUBLICATIONS**

Berning et al., U.S. Appl. No. 29/369,586 for "Body Panels for a Construction Machine" filed Sep. 10, 2010. (not prior art).

(Continued)

*Primary Examiner* — Mark A Goodwin

(74) *Attorney, Agent, or Firm* — Wadley & Patterson, P.C.;  
Lucian Wayne Beavers

(57) **CLAIM**

What is claimed is the ornamental design for a body panels for a construction machine, as shown and described.

**DESCRIPTION**

FIG. 1 is a right front perspective view of the body panels for a construction machine showing our new design. The broken line showing of a construction machine in all the figures are for environmental purposes only and form no part of the claimed design.

FIG. 2 is a left front perspective view thereof.

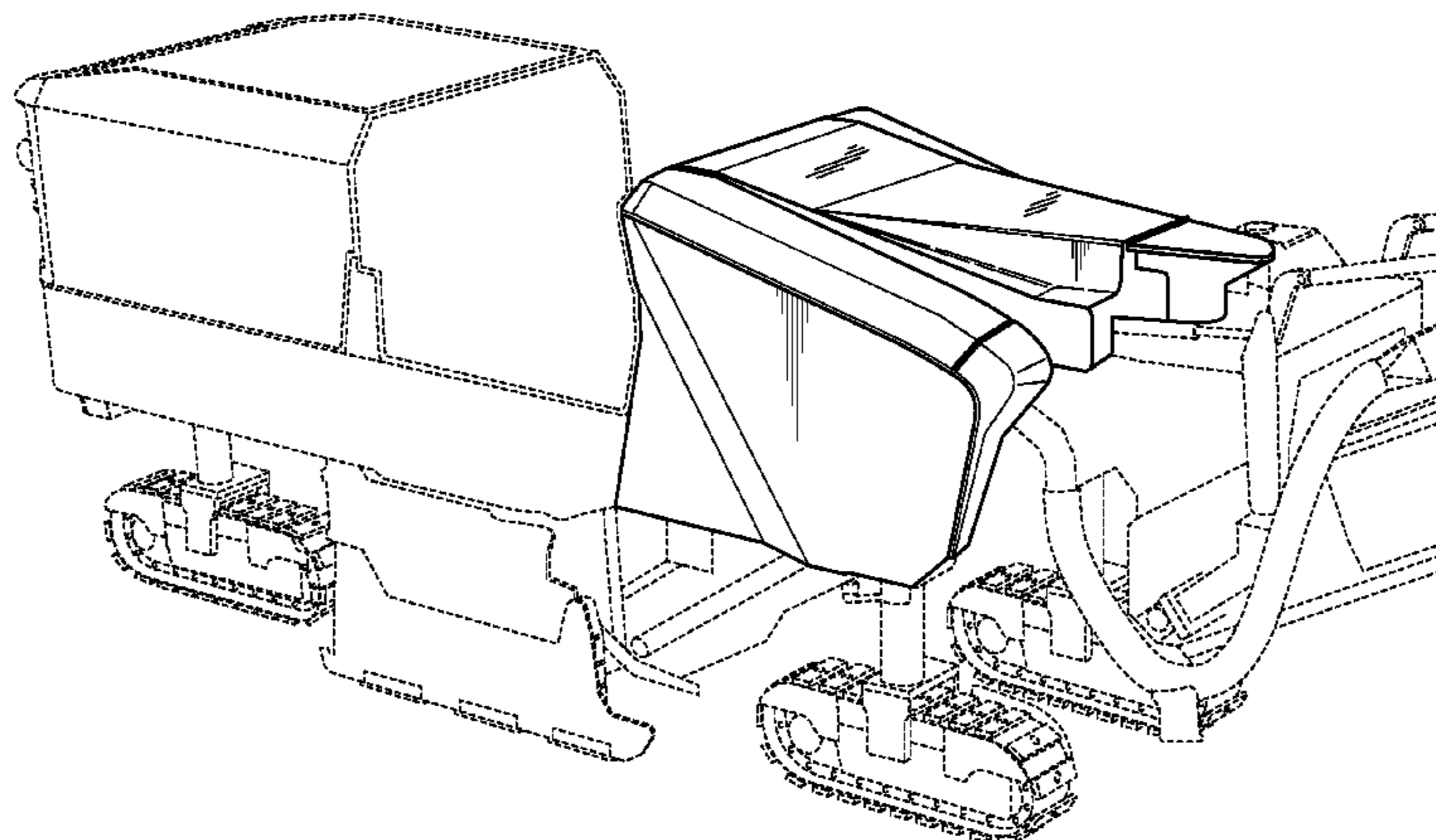
FIG. 3 is a right side elevation view thereof.

FIG. 4 is a left side elevation view thereof.

FIG. 5 is a front elevation view thereof; and,

FIG. 6 is a top plan view thereof.

**1 Claim, 6 Drawing Sheets**



# US D635,159 S

Page 2

## U.S. PATENT DOCUMENTS

4,325,580	A *	4/1982	Swisher et al. ....	299/39.8	D527,393	S *	8/2006	Maas et al. ....	D15/28
D266,850	S *	11/1982	Godbersen .....	D15/22	7,144,192	B2 *	12/2006	Holl et al. ....	404/93
4,938,537	A *	7/1990	Rife et al. ....	299/39.6	D568,905	S *	5/2008	Heusinger et al. ....	D15/22
5,009,546	A *	4/1991	Domenighetti et al. ....	404/110	D578,142	S *	10/2008	Ewringmann .....	D15/22
D323,511	S *	1/1992	Swisher, Jr. ....	D15/23	D599,825	S *	9/2009	Schneider et al. ....	D15/22
5,190,398	A *	3/1993	Swisher, Jr. ....	404/90	D608,374	S *	1/2010	De Rycke et al. ....	D15/33
5,201,603	A *	4/1993	Bassett et al. ....	404/84.1	D626,573	S *	11/2010	Koetting et al. ....	D15/22
5,201,604	A *	4/1993	Ferguson et al. ....	404/110	2006/0045624	A1 *	3/2006	Nelson .....	404/95
D362,449	S *	9/1995	Swisher, Jr. ....	D15/22	2006/0198701	A1 *	9/2006	Hall et al. ....	404/91
5,511,900	A *	4/1996	Macku .....	404/84.1	2008/0152428	A1 *	6/2008	Berning et al. ....	404/84.1
D370,917	S *	6/1996	Swisher, Jr. ....	D15/29					
5,615,973	A *	4/1997	Campbell .....	404/75					
5,722,789	A *	3/1998	Murray et al. ....	404/90					
6,007,272	A *	12/1999	Macku et al. ....	404/92					
6,071,040	A *	6/2000	Macku et al. ....	404/108					
6,099,205	A *	8/2000	Macku et al. ....	404/92					
6,193,437	B1 *	2/2001	Heims .....	404/110					
6,375,386	B1 *	4/2002	Macku et al. ....	404/17					
D500,056	S *	12/2004	DeYoung et al. ....	D15/33					
D526,336	S *	8/2006	Maas et al. ....	D15/28					

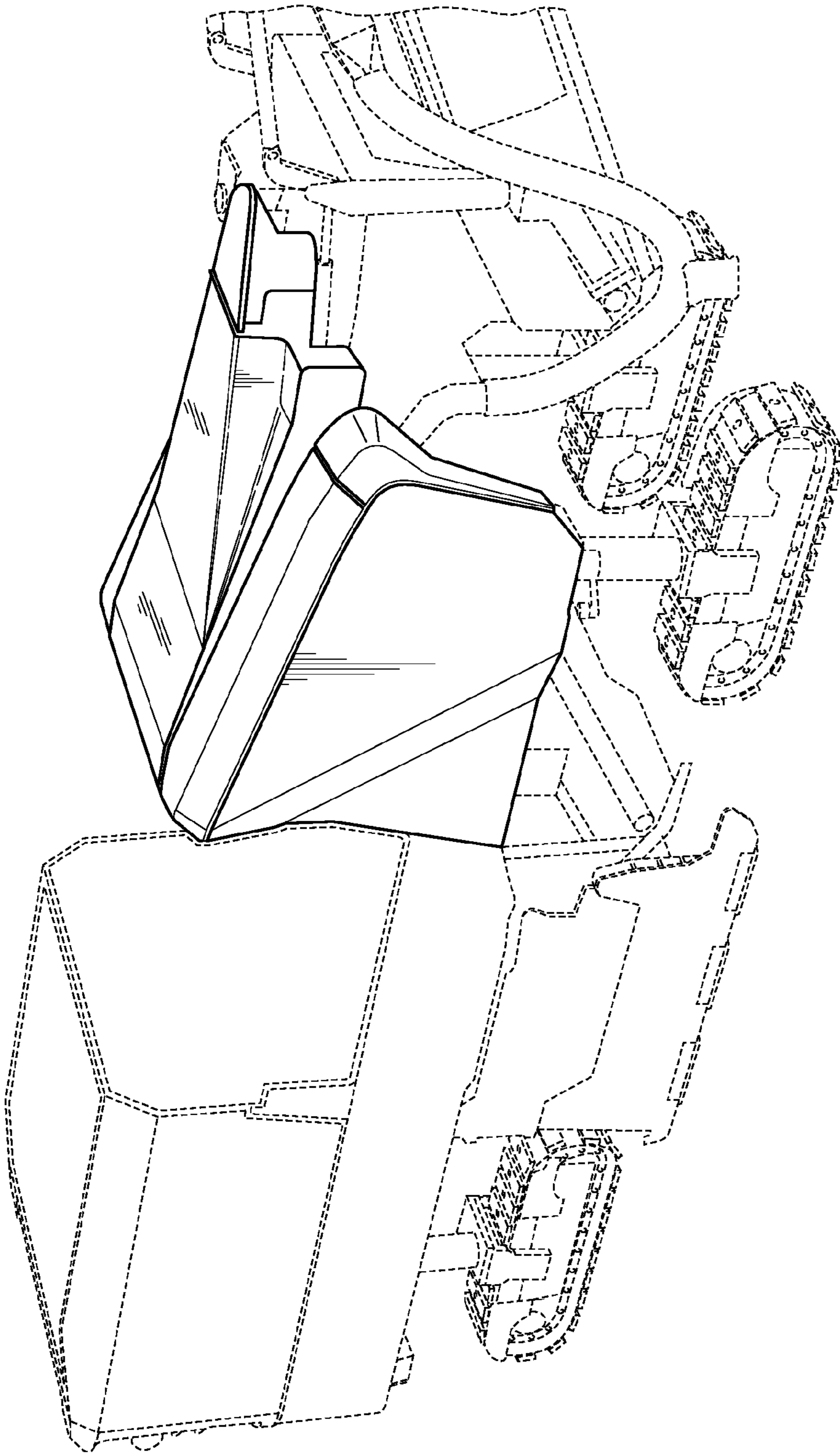
## OTHER PUBLICATIONS

Berning et al., U.S. Appl. No. 29/369,583 for "Body Panels for a Construction Machine" filed Sep. 10, 2010. (not prior art).

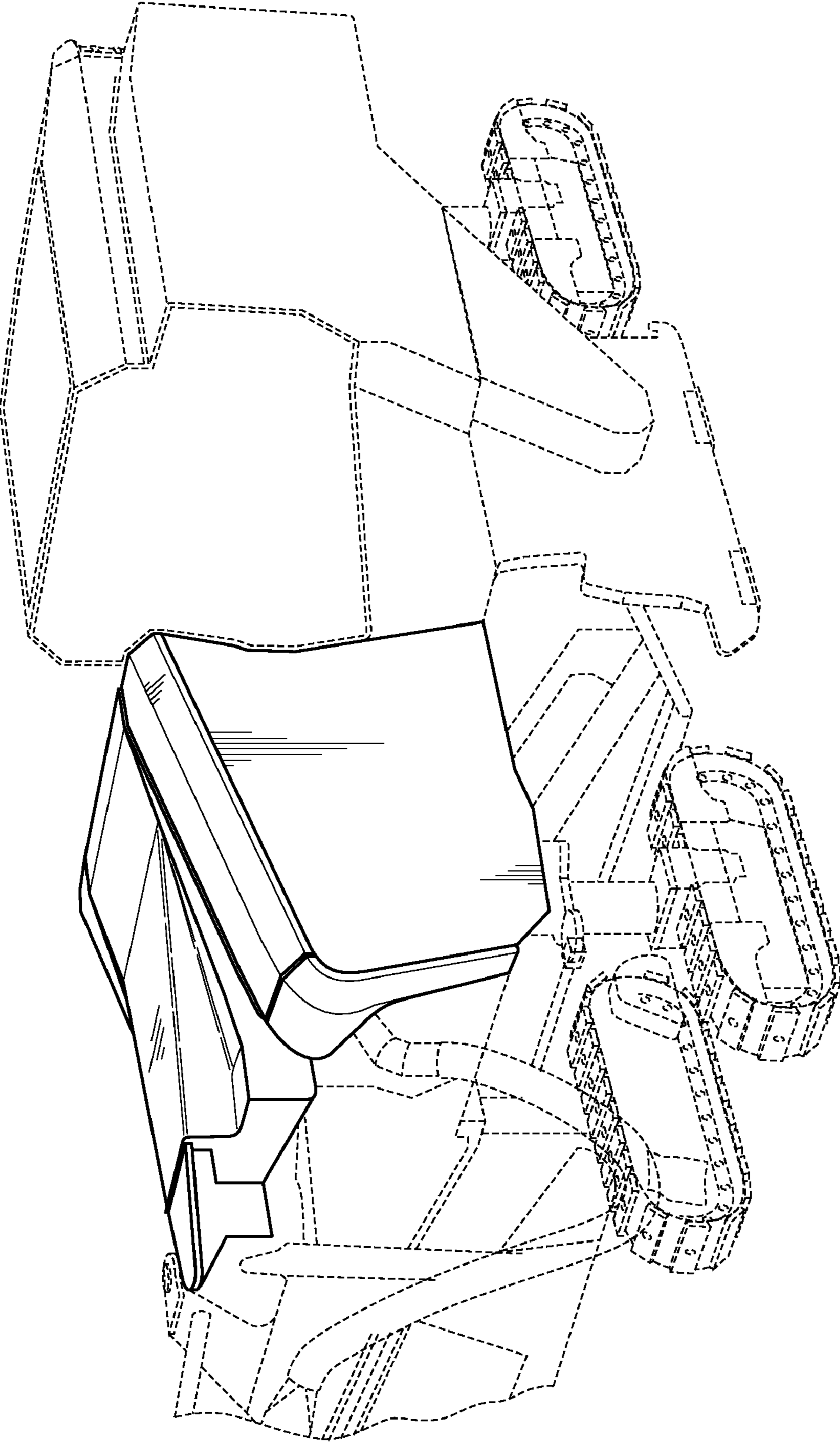
Berning et al., U.S. Appl. No. 29/369,590 for "Body Panels for a Construction Machine" filed Sep. 10, 2010. (not prior art).

Berning et al., U.S. Appl. No. 29/369,591 for "Cab for a Construction Machine" filed Sep. 10, 2010. (not prior art).

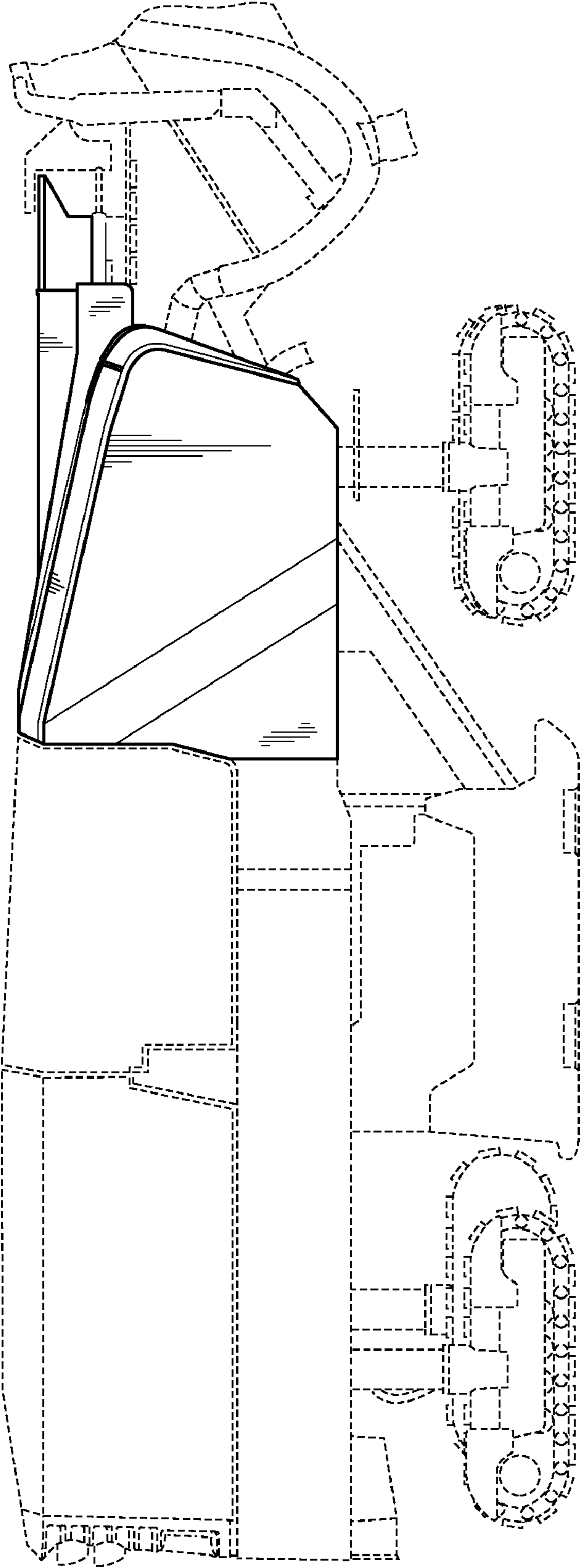
\* cited by examiner



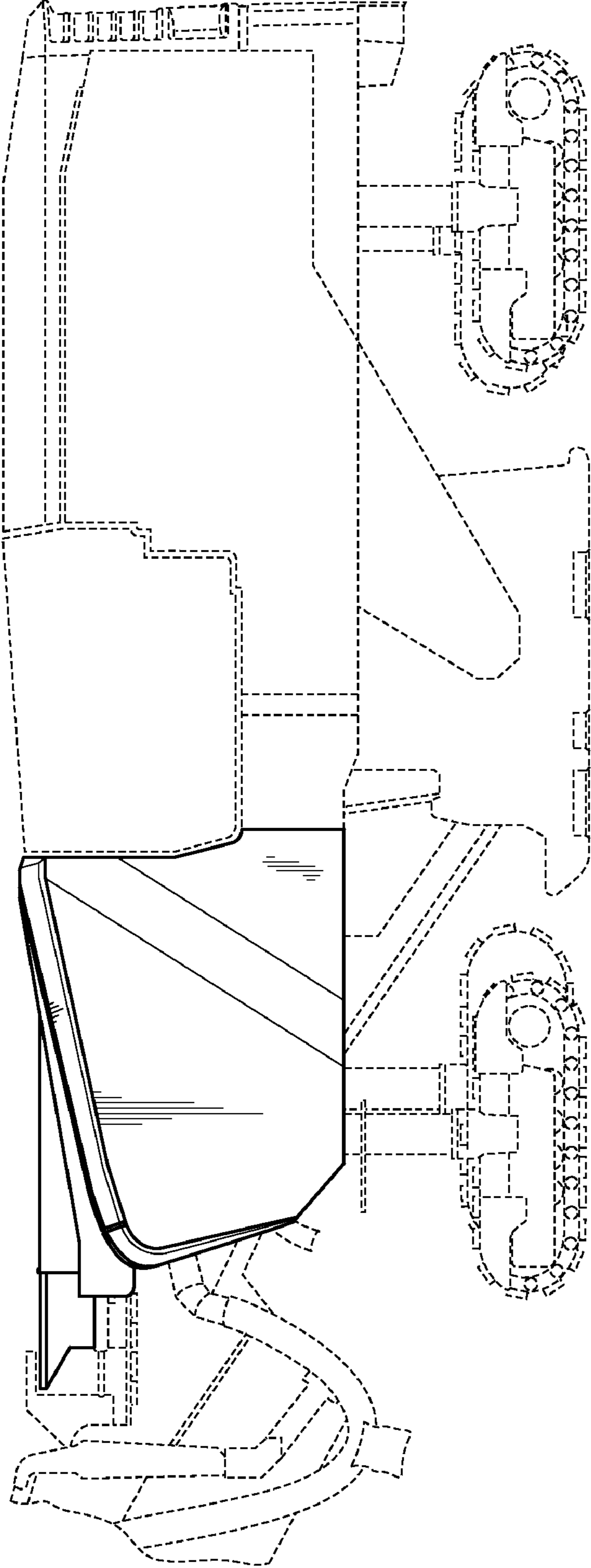
**FIG. 1**



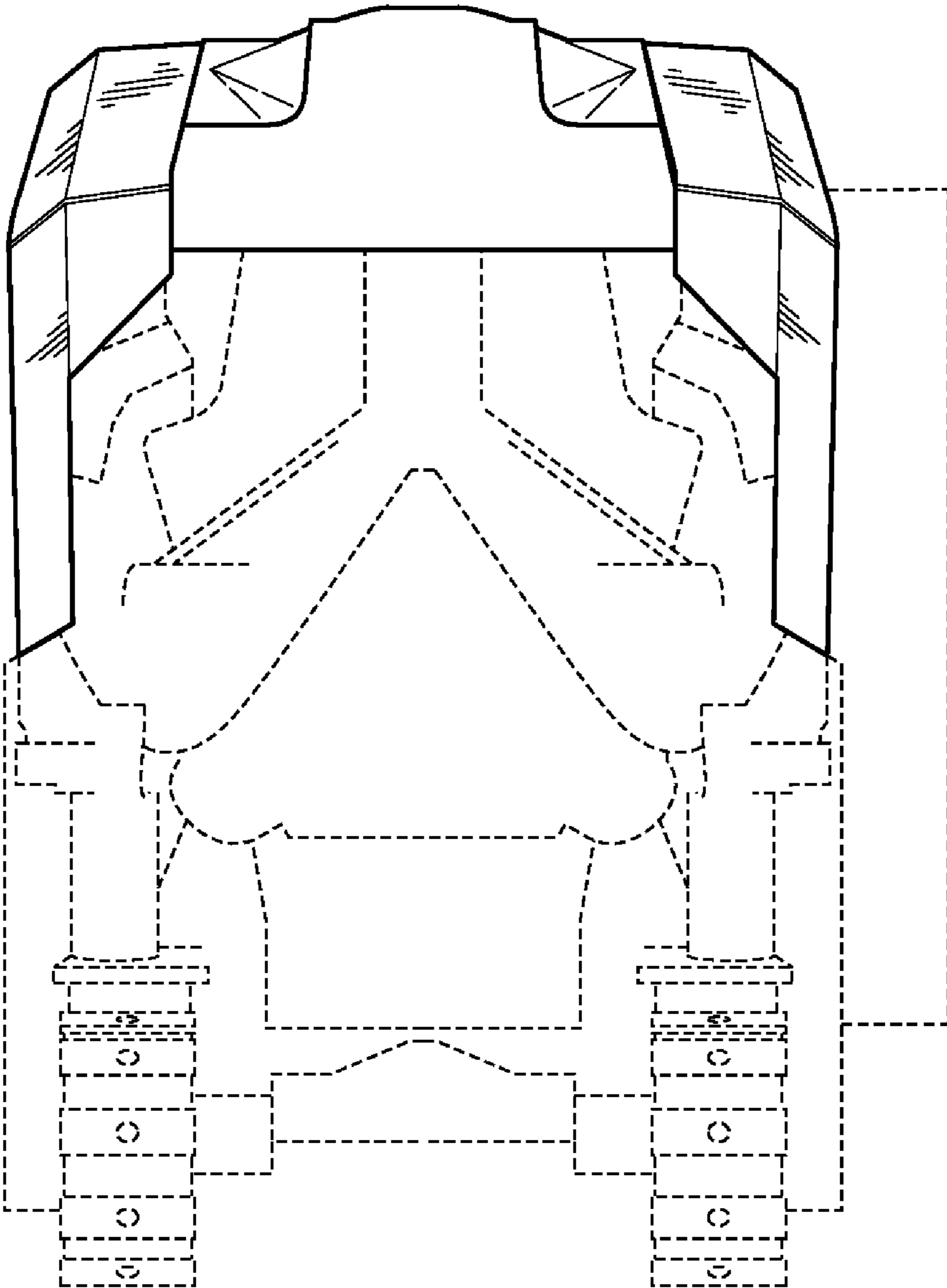
**FIG. 2**



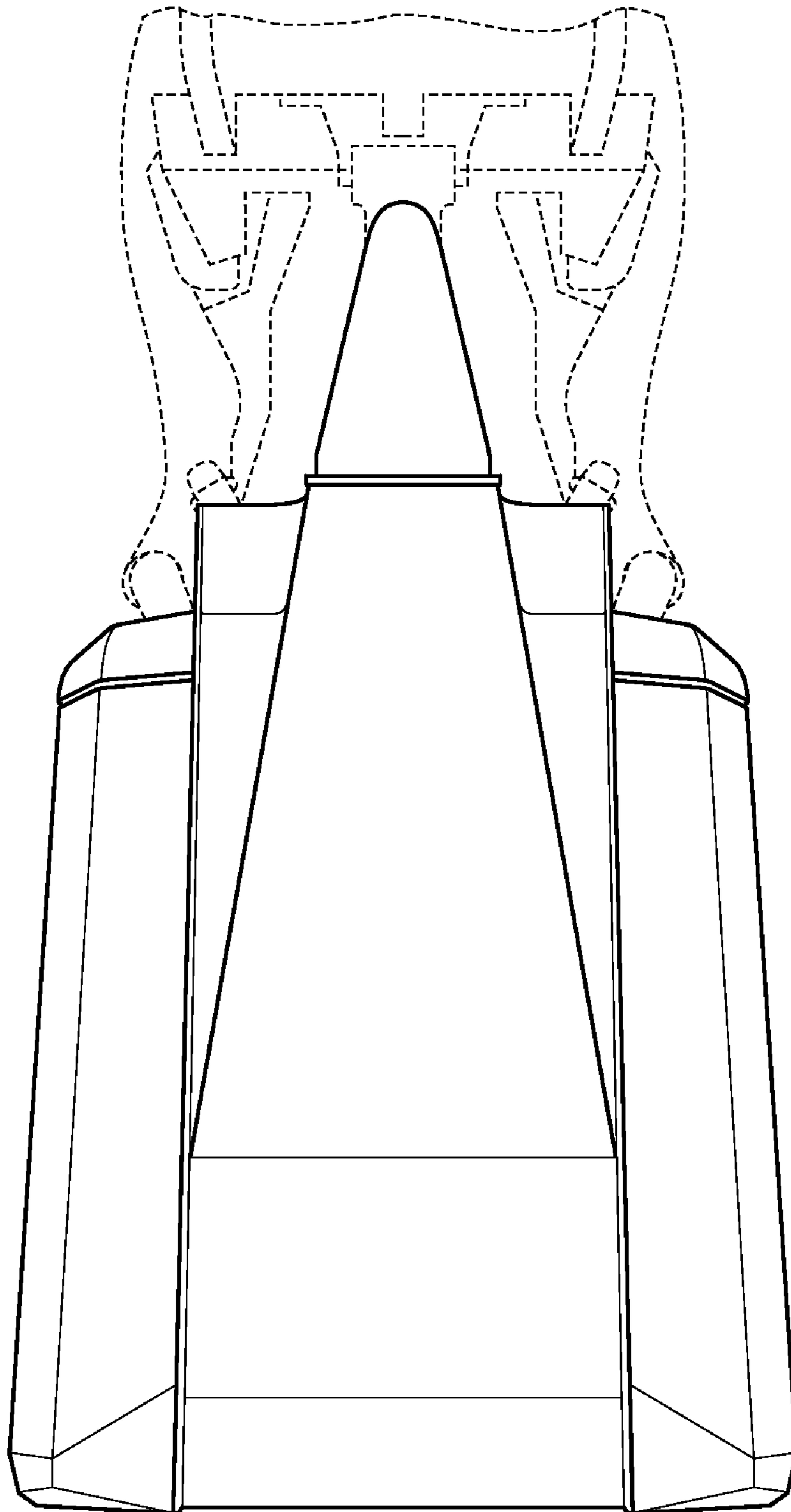
**FIG. 3**



**FIG. 4**



**FIG. 5**



**FIG. 6**