

US00D635155S

(12) **United States Design Patent**
Blind

(10) **Patent No.:** **US D635,155 S**

(45) **Date of Patent:** **** Mar. 29, 2011**

(54) **JOYSTICK**

(75) Inventor: **Alain Blind**, Birkenau (DE)

(73) Assignee: **Deere & Company**, Moline, IL (US)

(**) Term: **14 Years**

(21) Appl. No.: **29/357,436**

(22) Filed: **Mar. 12, 2010**

(30) **Foreign Application Priority Data**

Nov. 2, 2009 (EM) 001175129

(51) **LOC (9) Cl.** **15-03**

(52) **U.S. Cl.** **D15/28**

(58) **Field of Classification Search** D15/17,
D15/28, 142; D12/179, 174; D8/8; D34/35;
D21/324, 328, 333; D14/412-416, 400,
D14/401; 74/491, 519, 523, 475, 489, 473.1,
74/471 XY; 56/13.3, 202; 273/148 B; 463/38,
463/46; 345/161

See application file for complete search history.

(56) **References Cited**

U.S. PATENT DOCUMENTS

D320,589 S * 10/1991 Kelley et al. D12/179
D362,330 S * 9/1995 Avitan et al. D34/35
D365,576 S * 12/1995 Butkovich et al. D15/29
D366,910 S * 2/1996 Hsieh D14/412
5,805,256 A * 9/1998 Miller 348/734
D418,097 S * 12/1999 Leschke et al. D12/179

D419,570 S * 1/2000 Blondeel et al. D15/29
D450,702 S * 11/2001 Sagawa et al. D14/412
D454,569 S * 3/2002 Osborn et al. D14/412
D463,457 S * 9/2002 Nagatsuka D15/28
D464,007 S * 10/2002 Ligneau D12/179
D498,188 S * 11/2004 Ligneau D12/179
D498,189 S * 11/2004 Ligneau D12/179
D499,121 S * 11/2004 Masalin D15/28
D531,942 S * 11/2006 Chanteloup D12/179
D537,393 S * 2/2007 Chanteloup D12/179
D537,394 S * 2/2007 Chanteloup D12/179
D559,749 S * 1/2008 Barbieri D12/179
D599,829 S * 9/2009 Jorgensen et al. D15/28

* cited by examiner

Primary Examiner — Mark A Goodwin

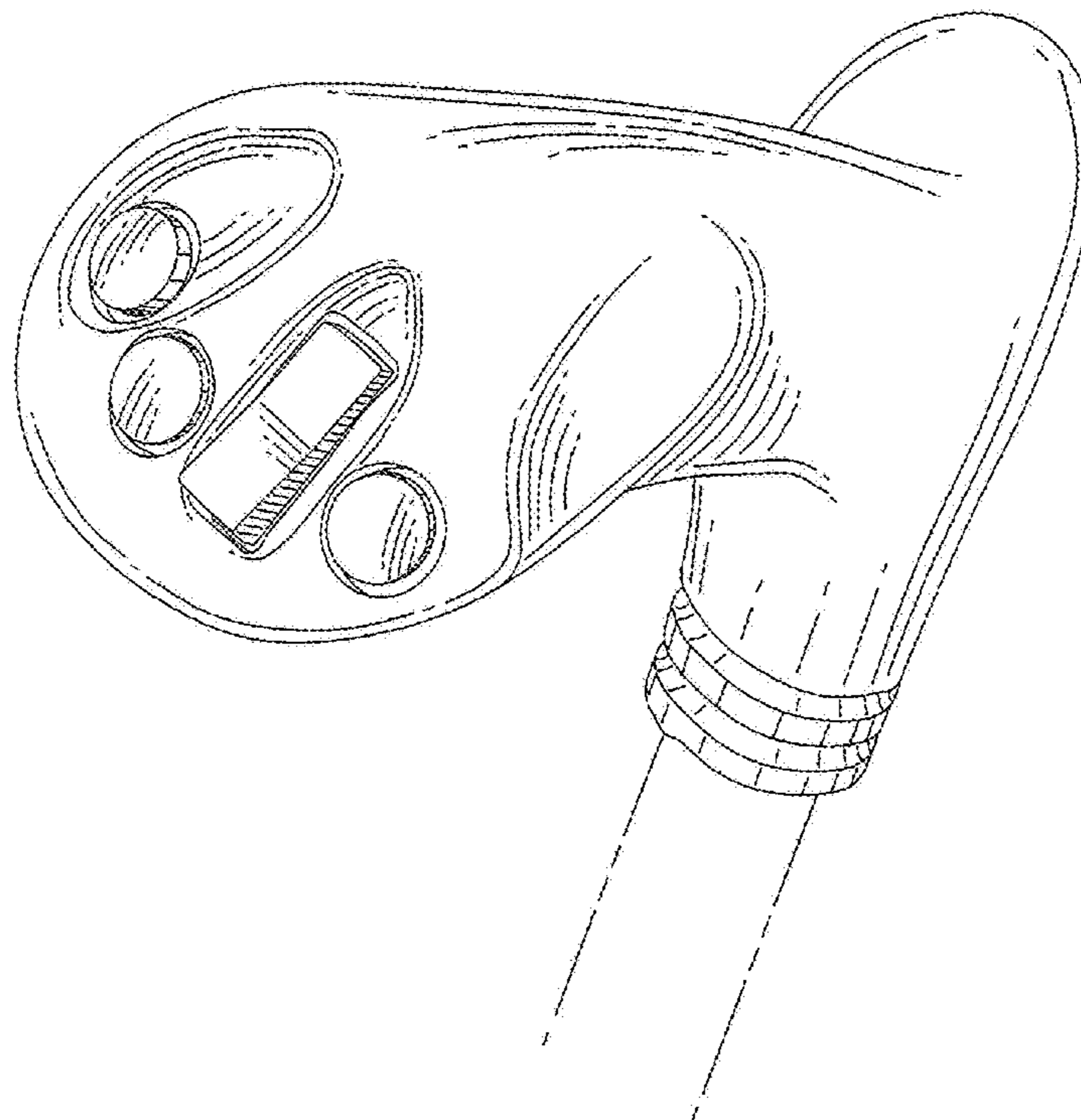
(57) **CLAIM**

The ornamental design for a joystick, design as shown and described.

DESCRIPTION

FIG. 1 is a top, left view of a joystick.
FIG. 2 is a bottom, right view of the joystick, design of FIG. 1.
FIG. 3 is a left side view of the joystick, design of FIG. 1,
FIG. 4 is right side view of the joystick, design of FIG. 1.
FIG. 5 is a front end view of the joystick, design of FIG. 1;
and,
FIG. 6 is a rear end view of the joystick, design of FIG. 1.
The broken line showing of a shaft is included for the purpose of illustrating environmental structure and forms no part of the claimed design.

1 Claim, 3 Drawing Sheets



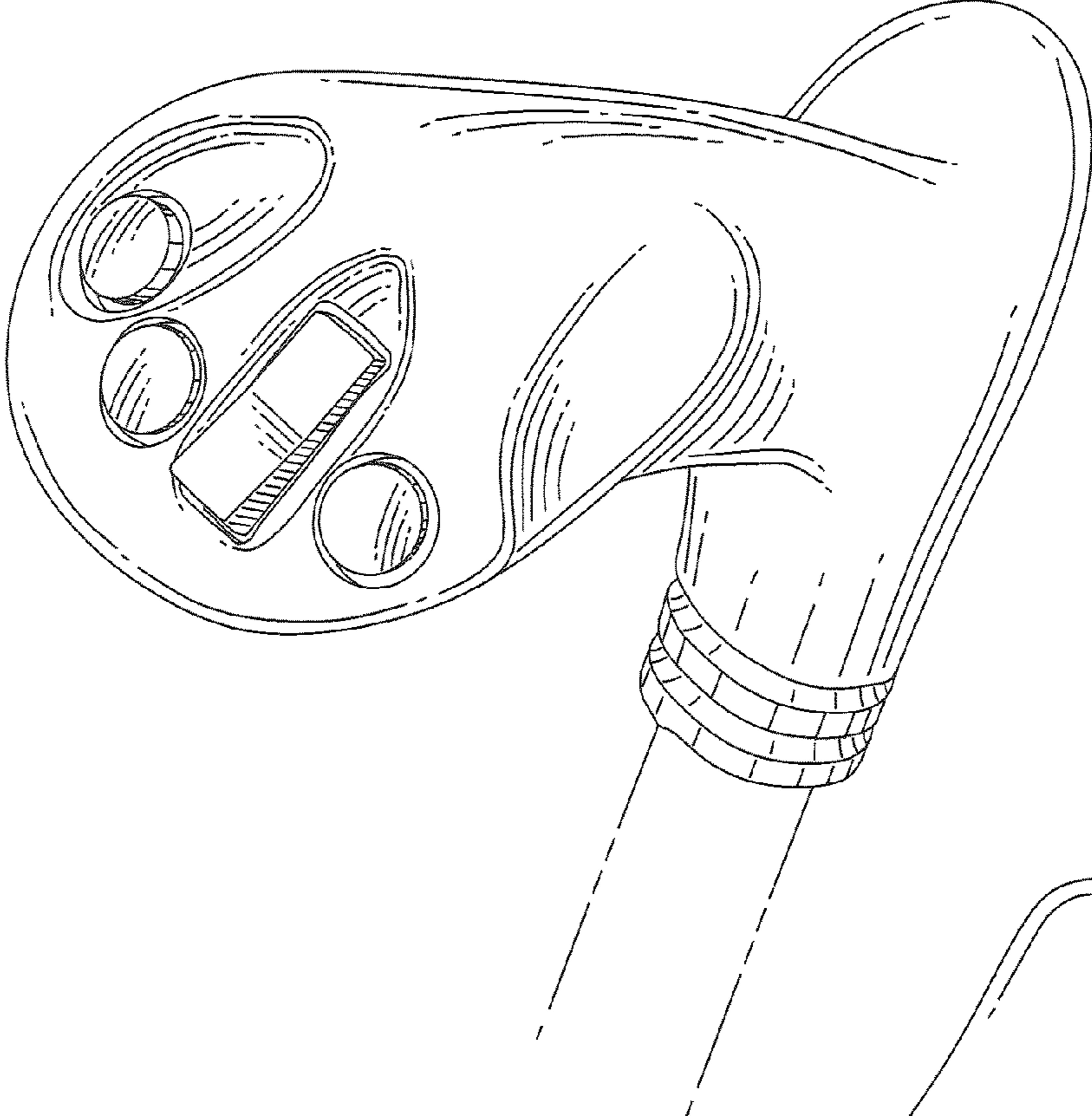


Fig. 1

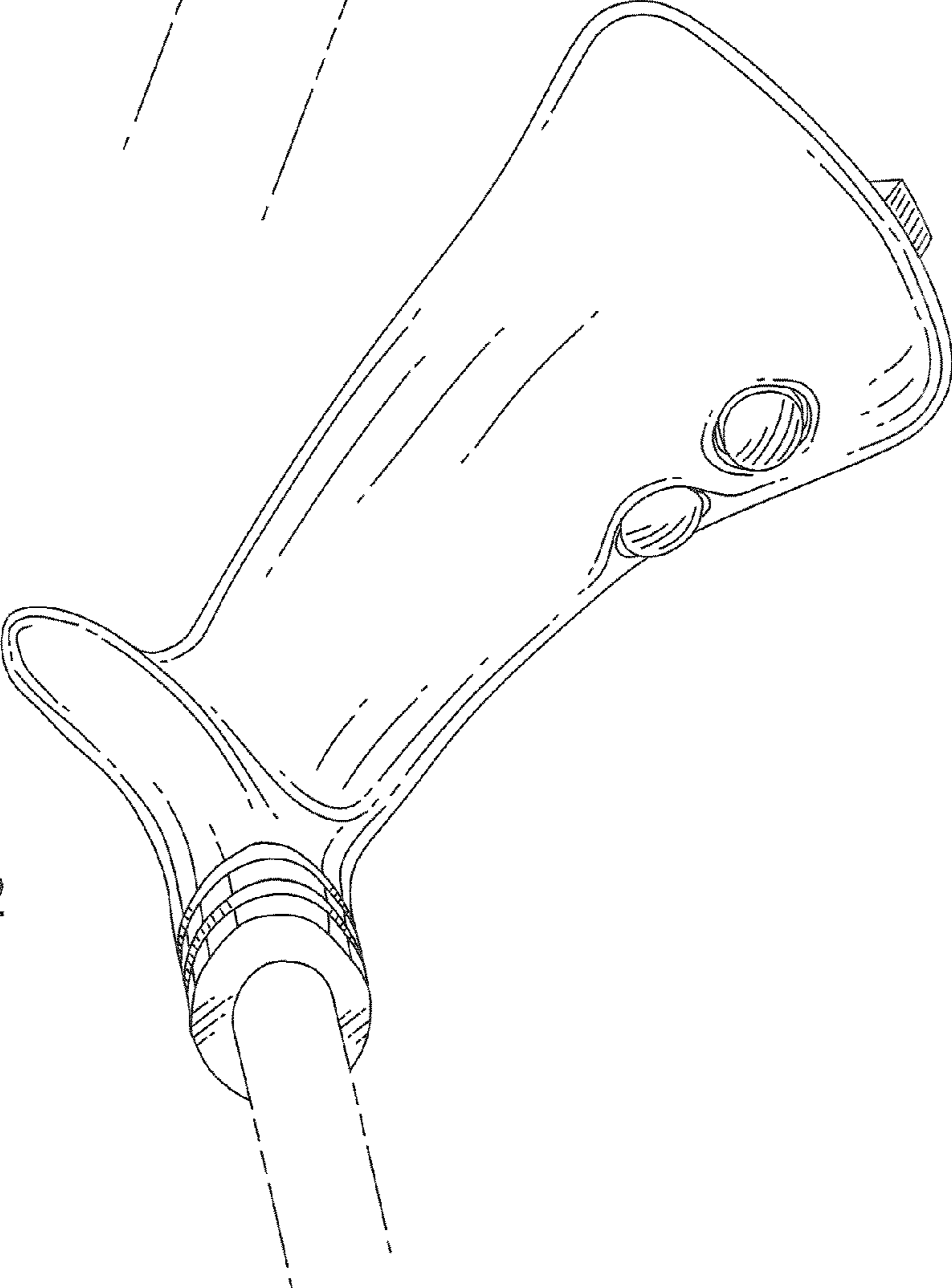


Fig. 2

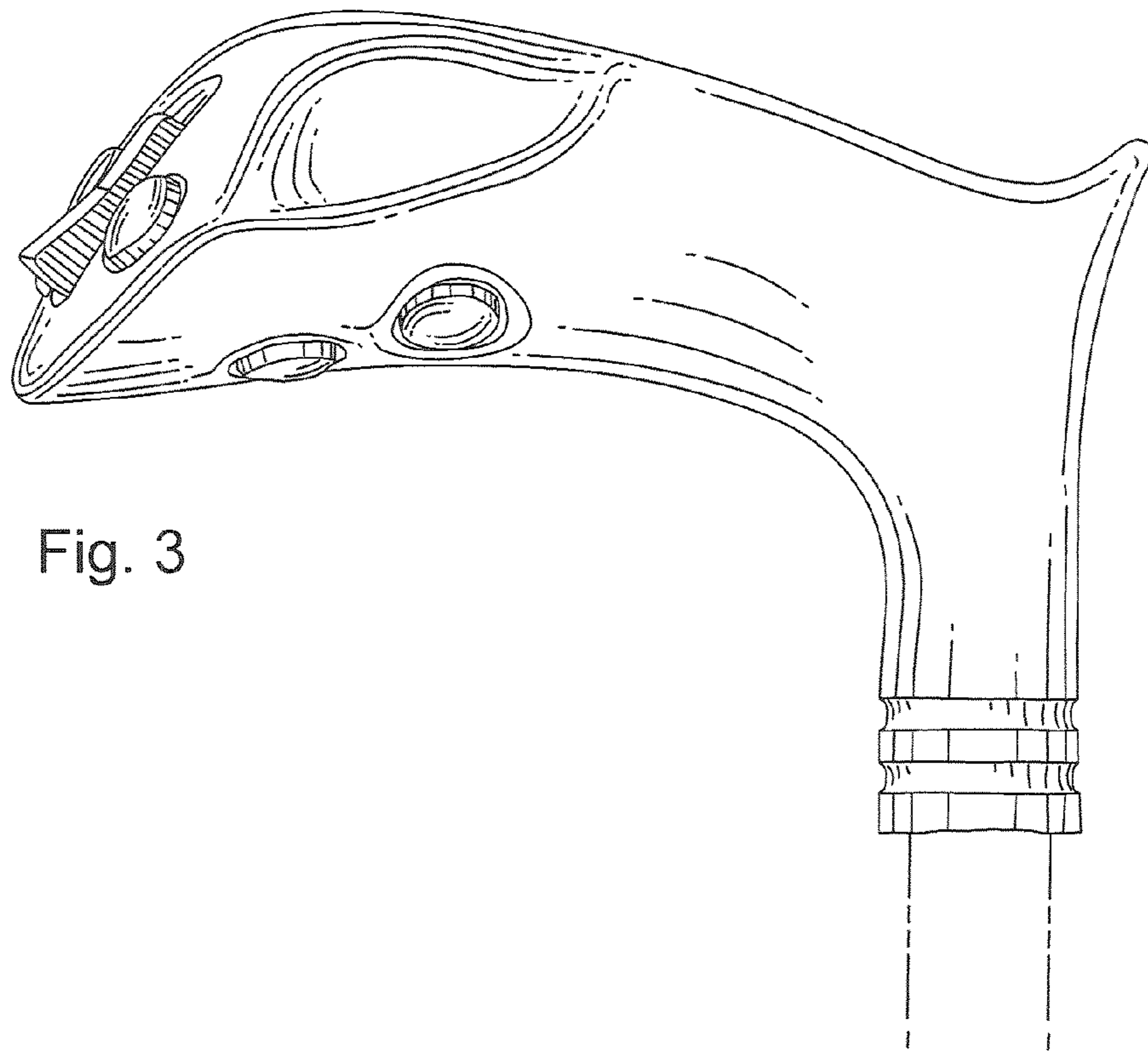


Fig. 3

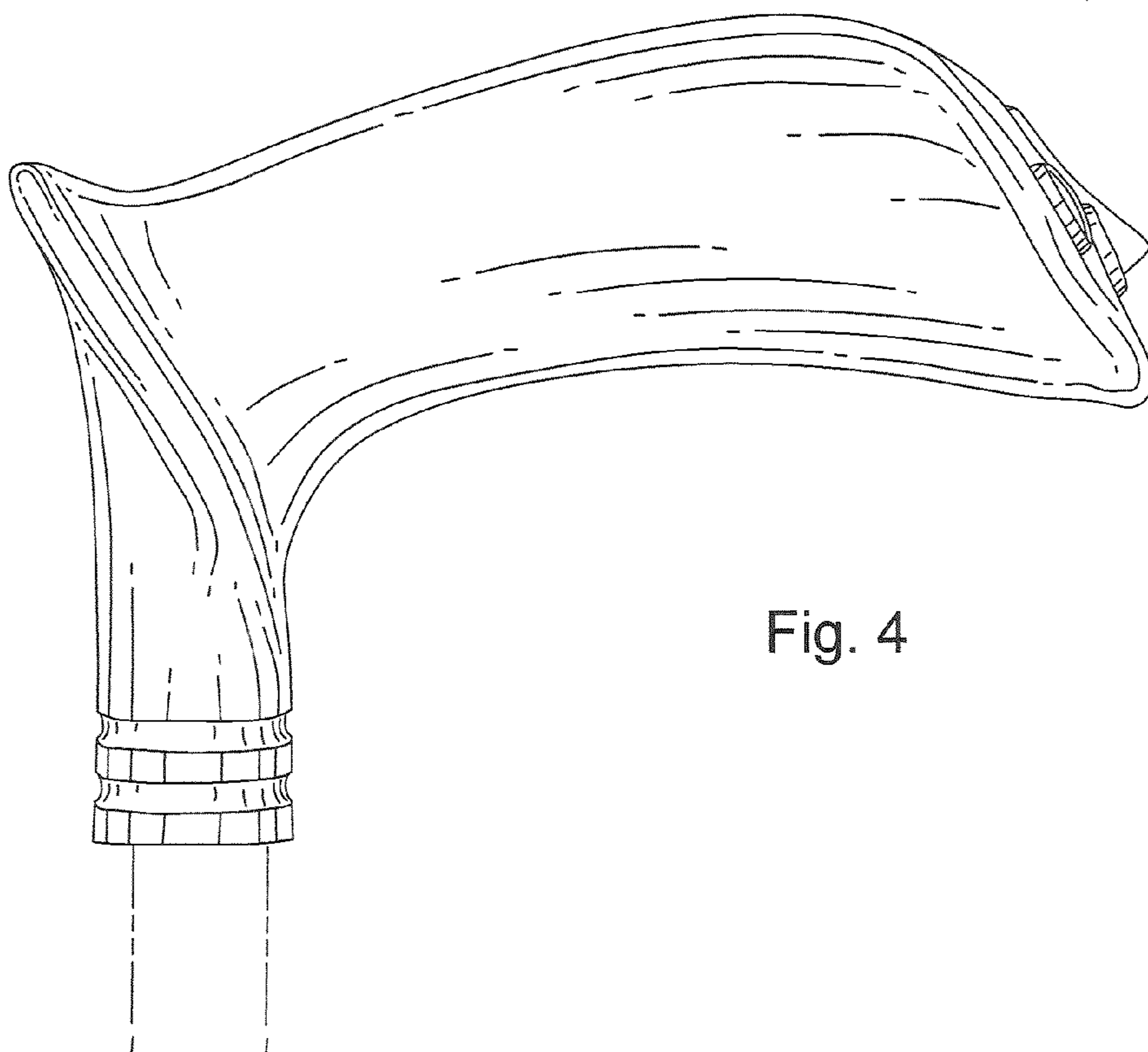


Fig. 4

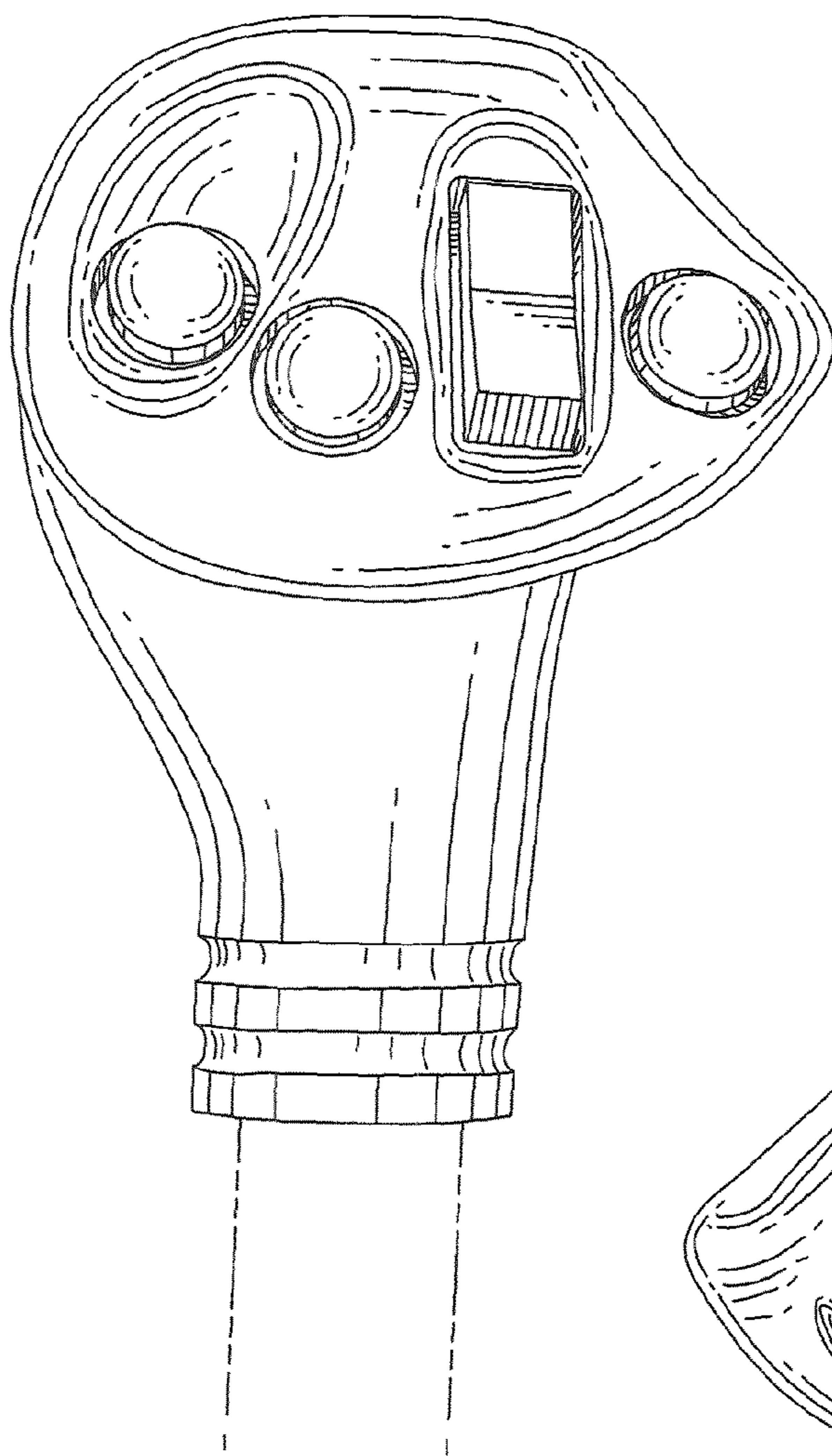


Fig. 5

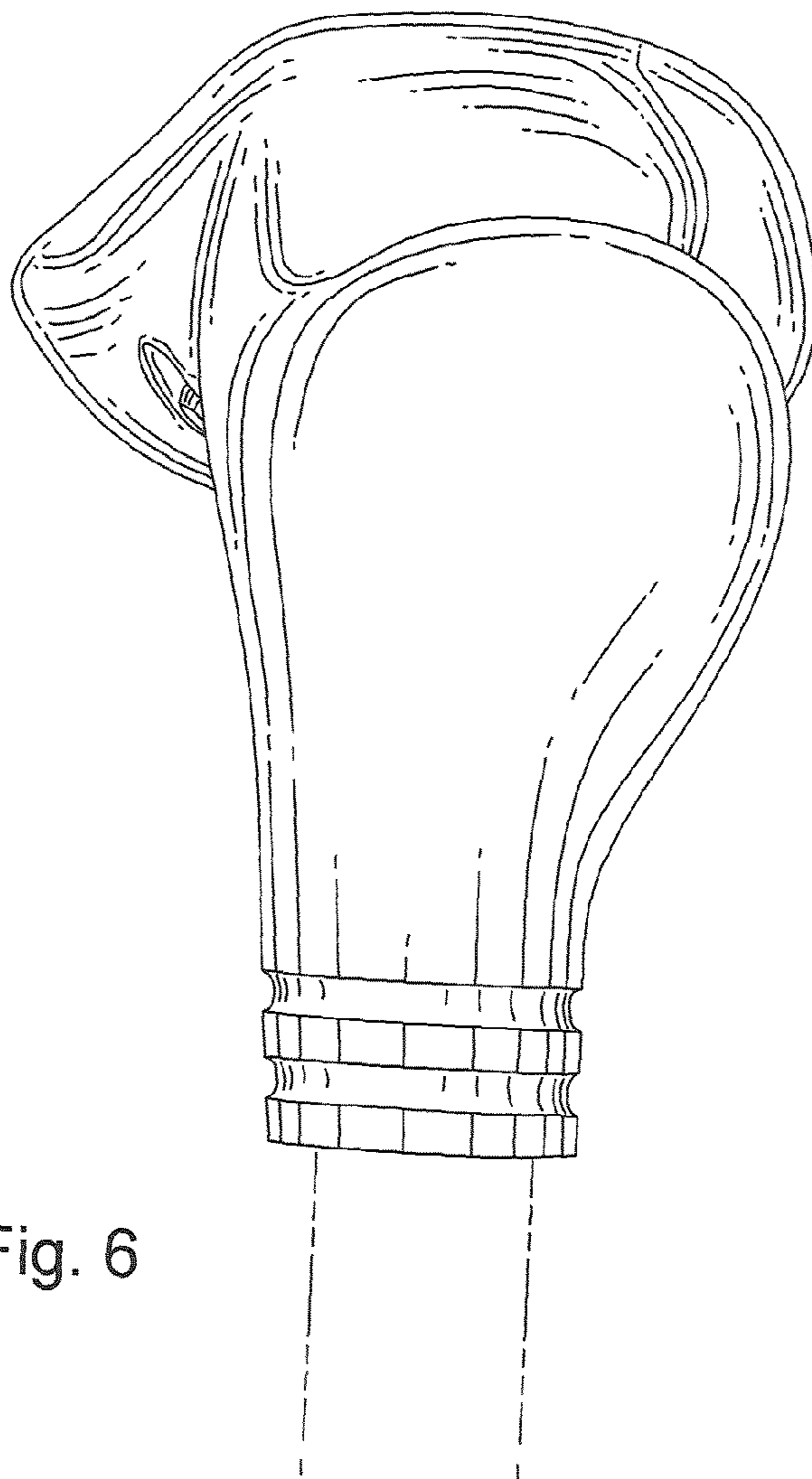


Fig. 6