



US00D635153S

(12) **United States Design Patent**
Gerbaud et al.

(10) **Patent No.:** **US D635,153 S**
(45) **Date of Patent:** **** Mar. 29, 2011**

(54) **MOTOR HOE**

(75) Inventors: **Nicolas Gerbaud**, Monsireigne (FR);
Peter Vion, Pouzauges (FR)

(73) Assignee: **Pubert Henri SAS**, Chantonnay (FR)

(**) Term: **14 Years**

(21) Appl. No.: **29/368,556**

(22) Filed: **Aug. 25, 2010**

(30) **Foreign Application Priority Data**

Mar. 3, 2010 (EM) 001677295

(51) **LOC (9) Cl.** **15-03**

(52) **U.S. Cl.** **D15/12**

(58) **Field of Classification Search** D15/10-12;
172/41-44, 74, 260, 256, 250, 48, 72, 351,
172/365, 329, 57, 518; 180/53.1; 56/16.7
See application file for complete search history.

(56) **References Cited**

U.S. PATENT DOCUMENTS

D231,005	S	*	3/1974	Noma et al.	D15/12
D249,518	S	*	9/1978	Cognata et al.	D15/12
4,640,366	A	*	2/1987	Saito	172/42
5,573,069	A	*	11/1996	Shipley	172/42
D415,502	S	*	10/1999	Yoshida	D15/12
D416,026	S	*	11/1999	Ohsumi et al.	D15/12
D417,458	S	*	12/1999	Waibel	D15/14

D449,052	S	*	10/2001	Ito et al.	D15/12
D475,067	S	*	5/2003	Ito et al.	D15/12
D486,502	S	*	2/2004	Yuzuriha et al.	D15/12
6,766,866	B2	*	7/2004	Miyahara et al.	172/41
6,904,977	B2	*	6/2005	Zerrer et al.	172/42
D515,592	S	*	2/2006	Thackery	D15/11
D523,026	S	*	6/2006	Vaughn	D15/12
D540,827	S	*	4/2007	Notaras et al.	D15/12
D567,822	S	*	4/2008	Martz	D15/12
D613,772	S	*	4/2010	Azuma	D15/12
2003/0159838	A1	*	8/2003	Miyahara et al.	172/42
2004/0079538	A1	*	4/2004	Zerrer et al.	172/42

* cited by examiner

Primary Examiner — Mark A Goodwin

(74) *Attorney, Agent, or Firm* — Workman Nydegger

(57) **CLAIM**

The ornamental design for a motor hoe, as shown and described.

DESCRIPTION

FIG. 1 is a perspective view of a motor hoe showing our new design;

FIG. 2 is a front elevational view thereof;

FIG. 3 is a rear elevational view thereof;

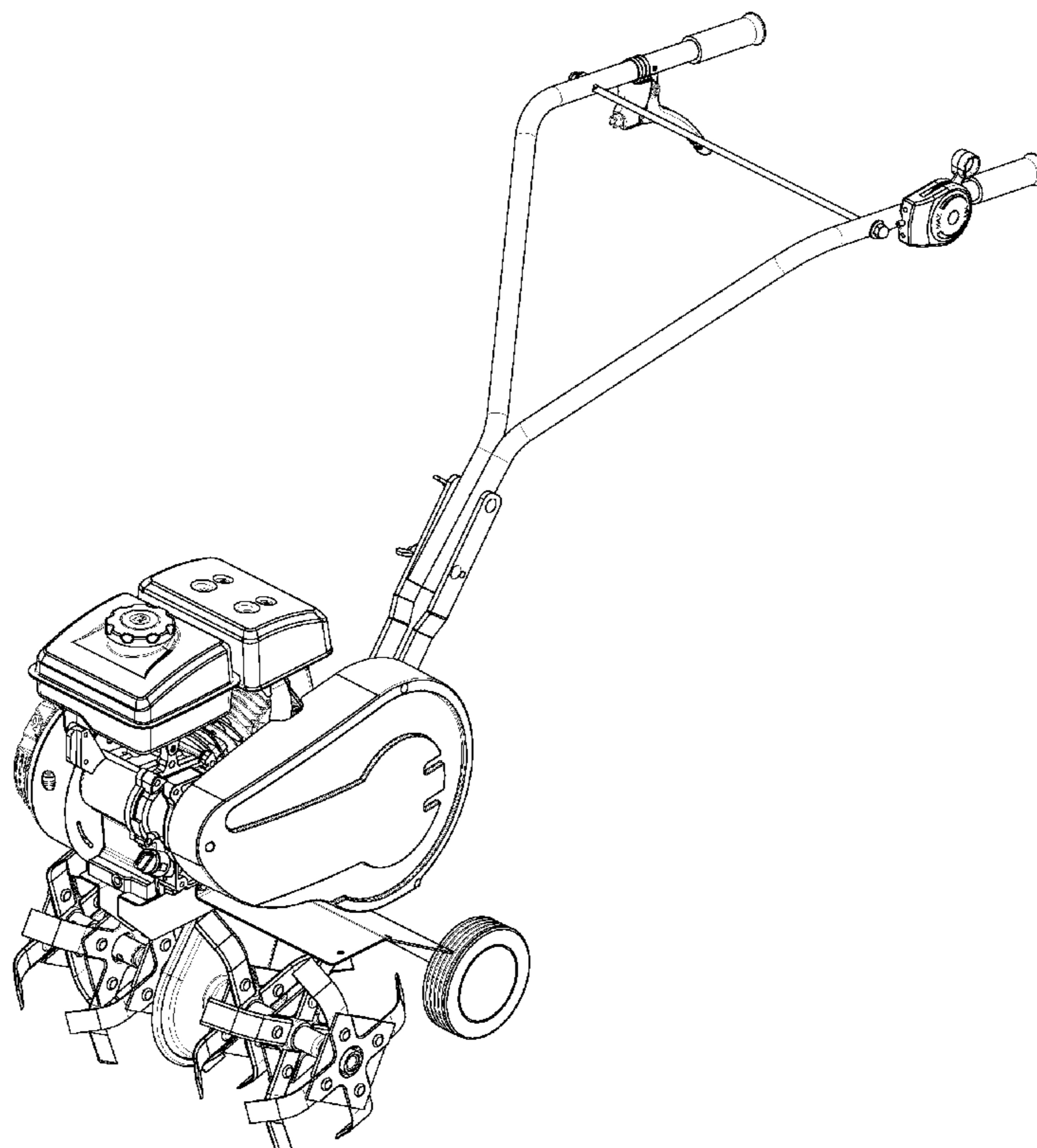
FIG. 4 is a right side elevational view thereof;

FIG. 5 is a left side elevational view thereof;

FIG. 6 is a top plan view thereof; and,

FIG. 7 is a bottom plan view thereof.

1 Claim, 7 Drawing Sheets



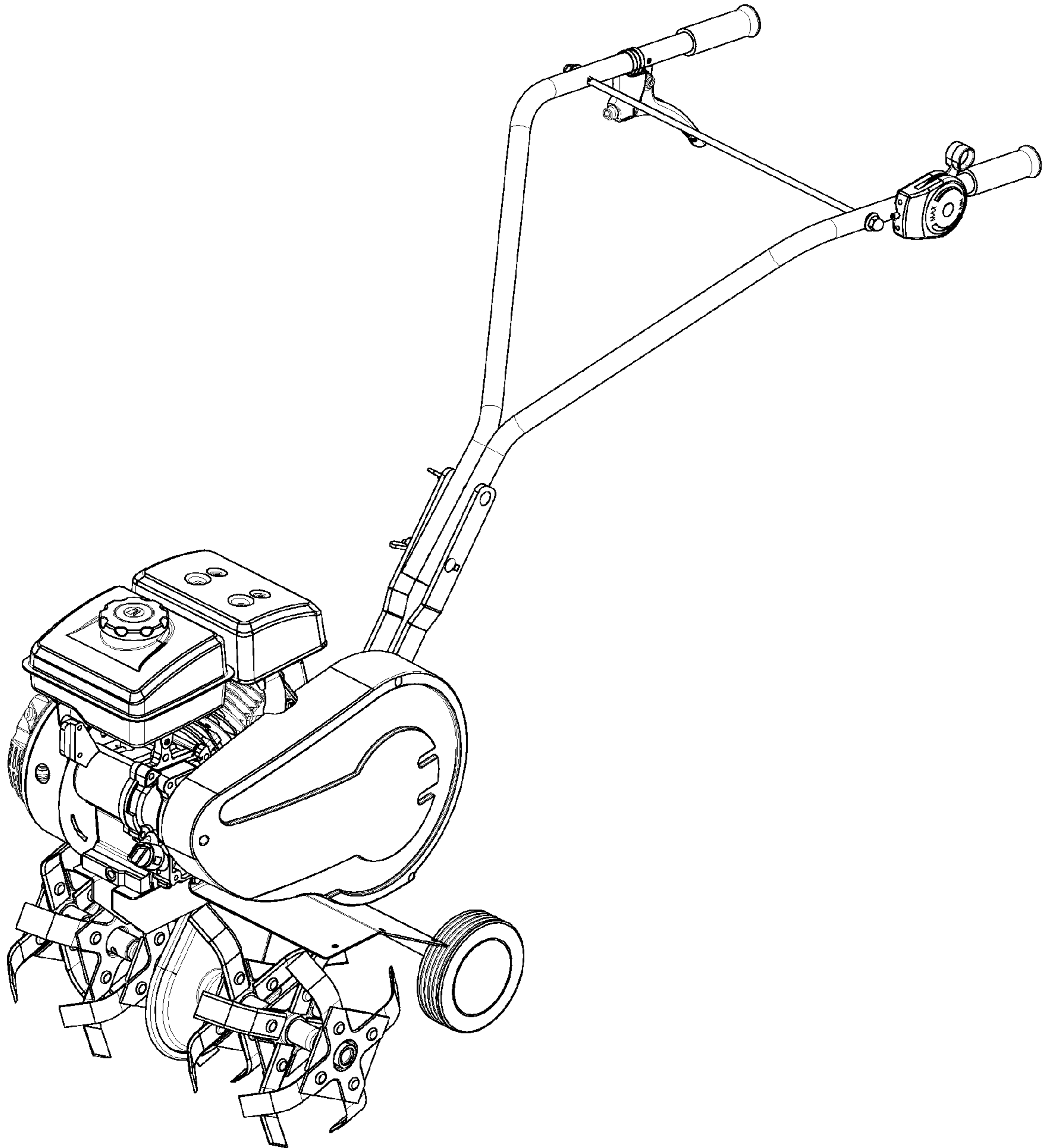


Fig. 1

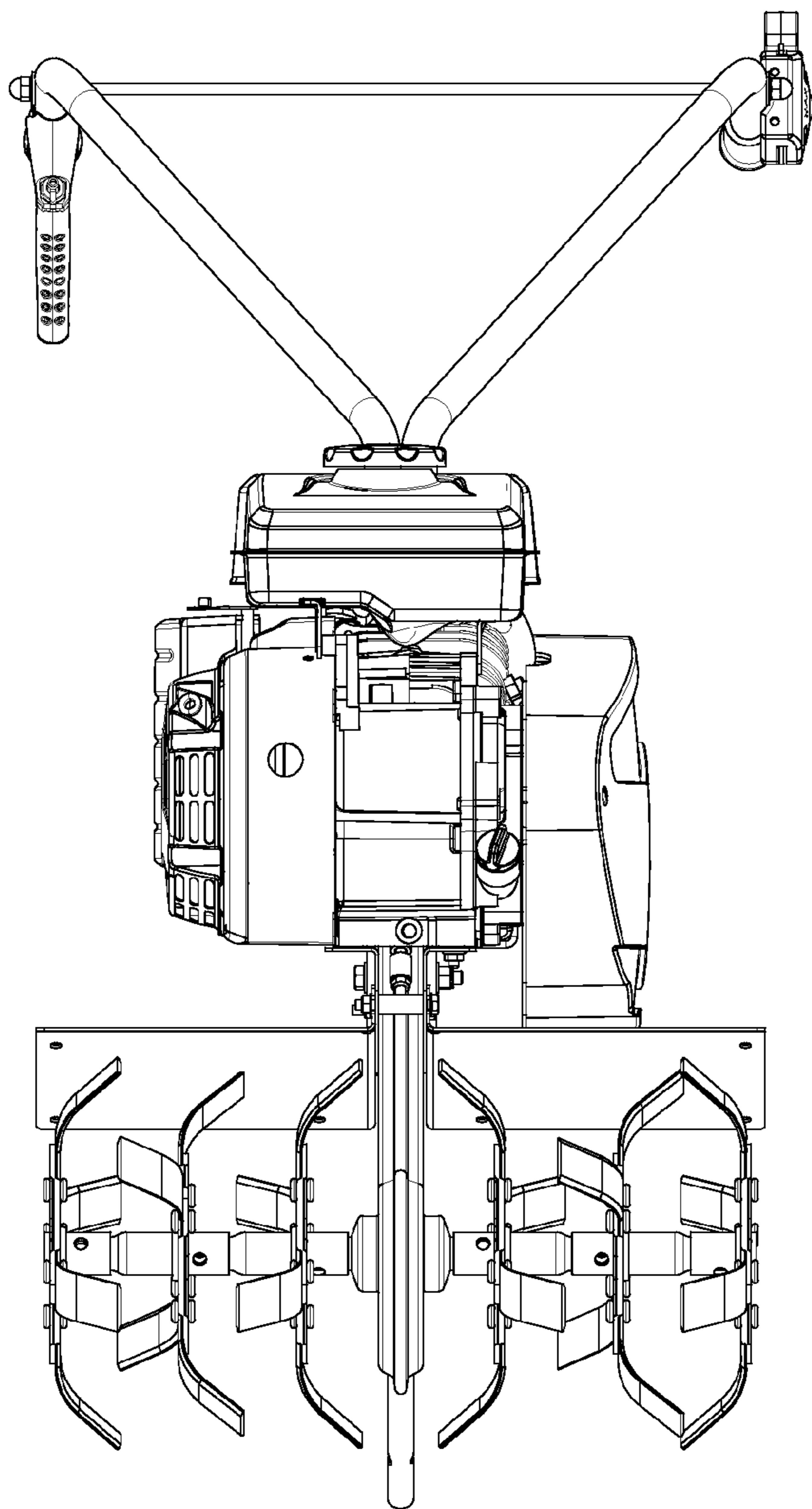


Fig. 2

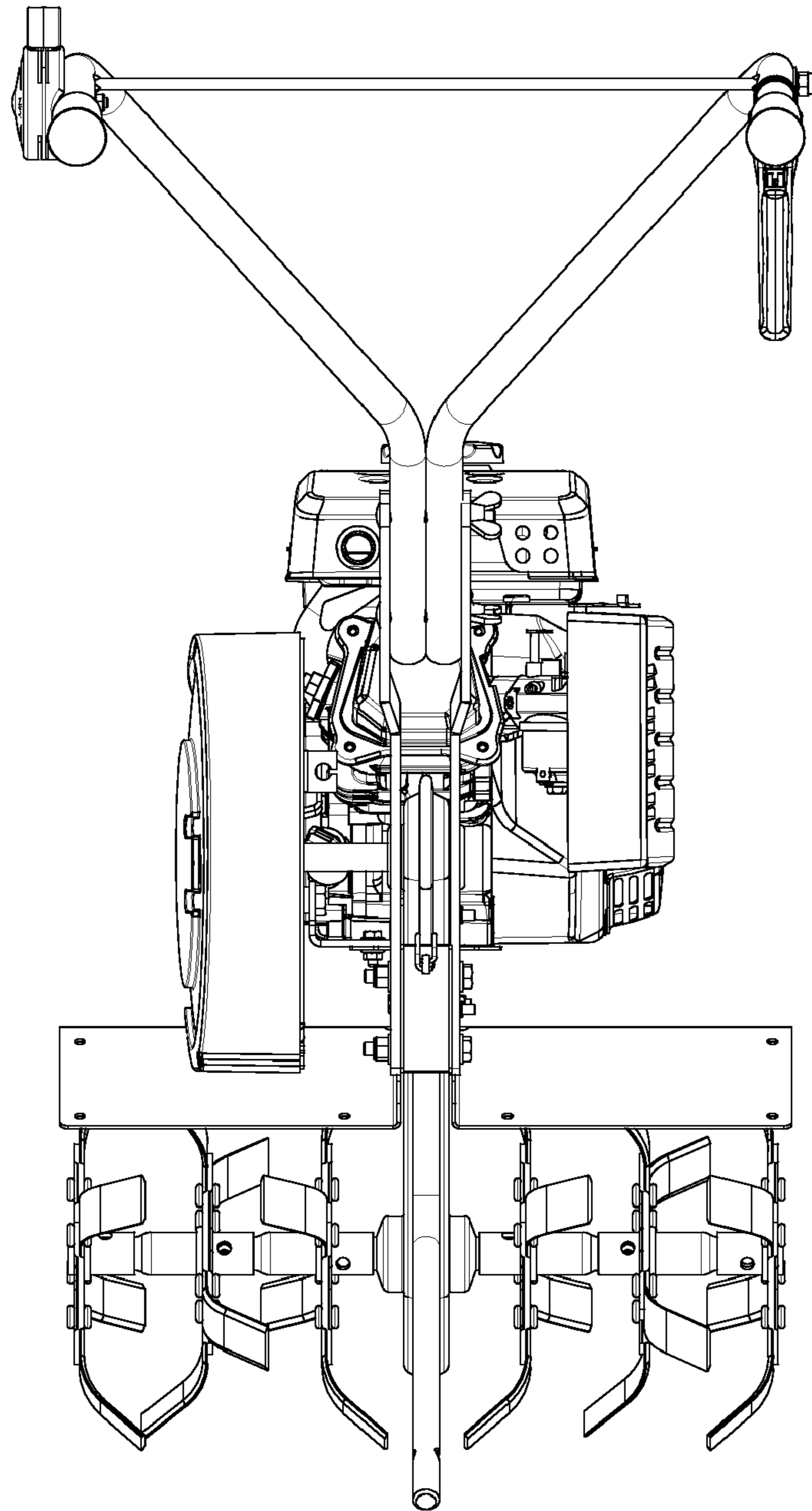


Fig. 3

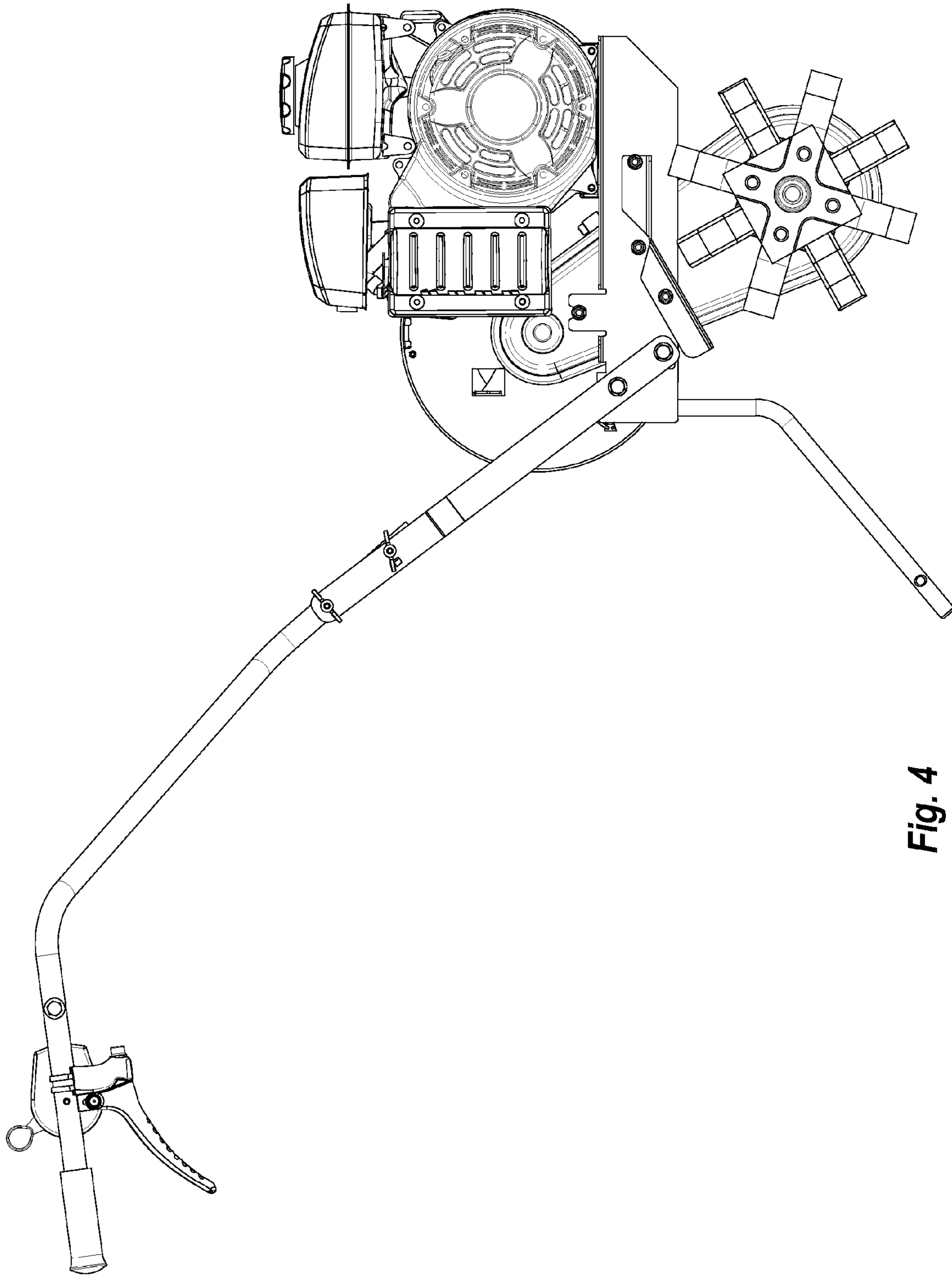


Fig. 4

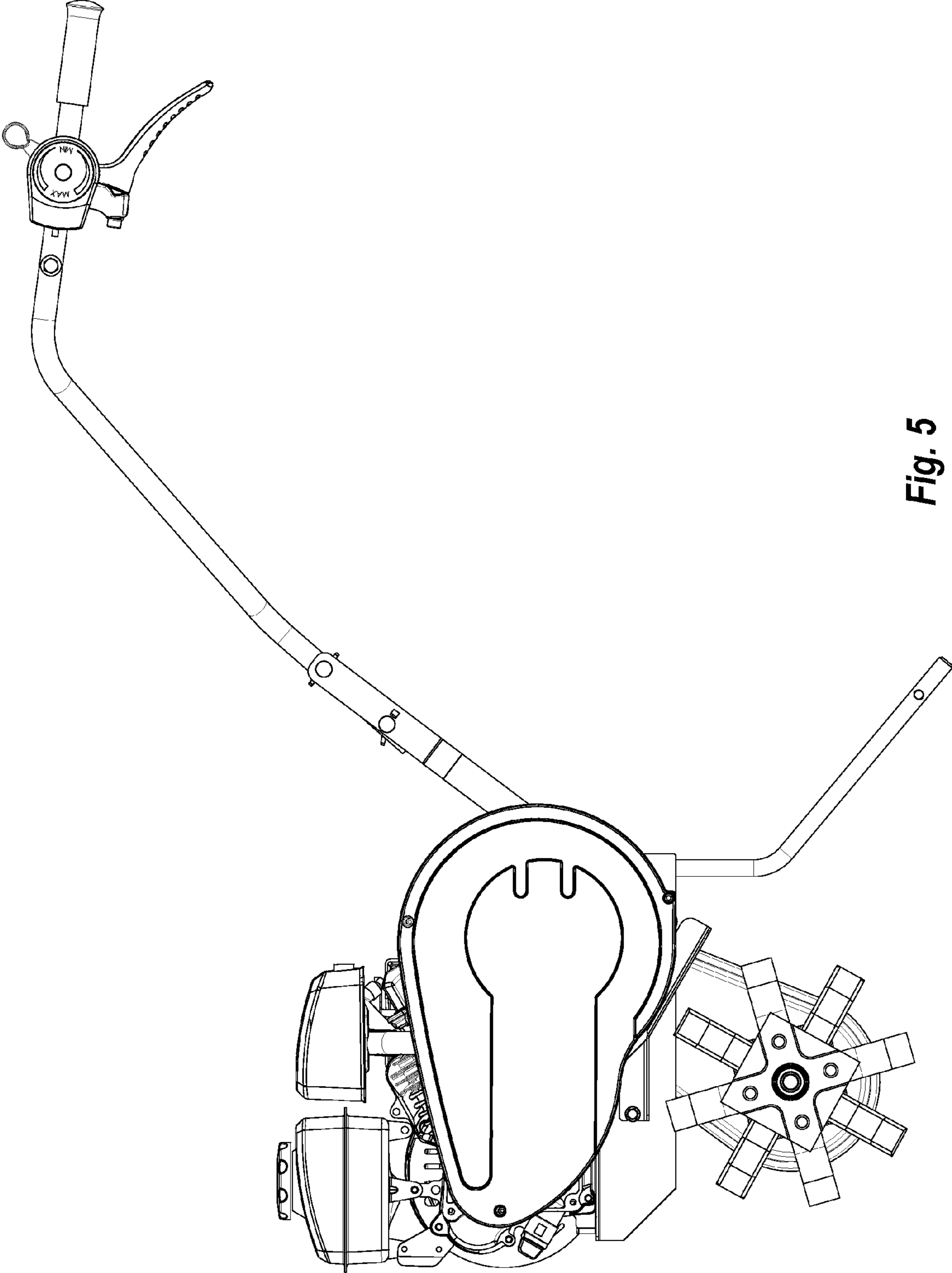


Fig. 5

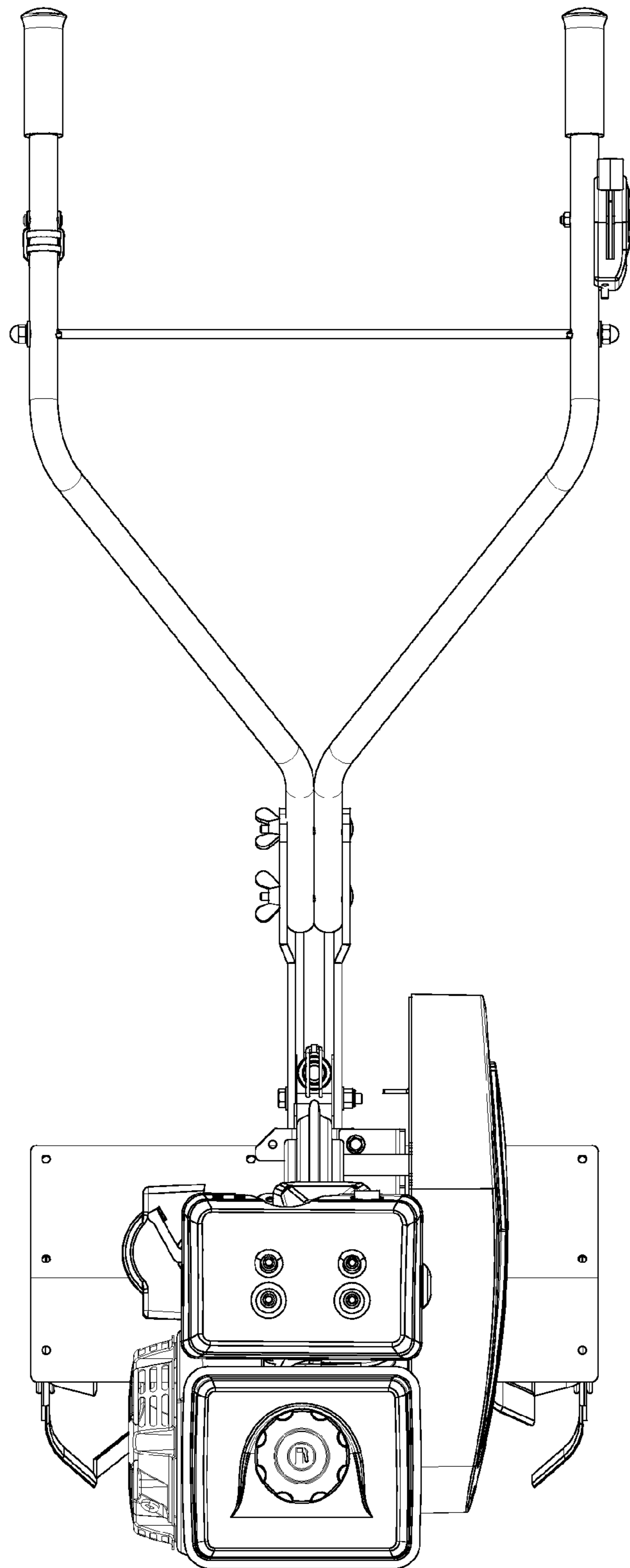


Fig. 6

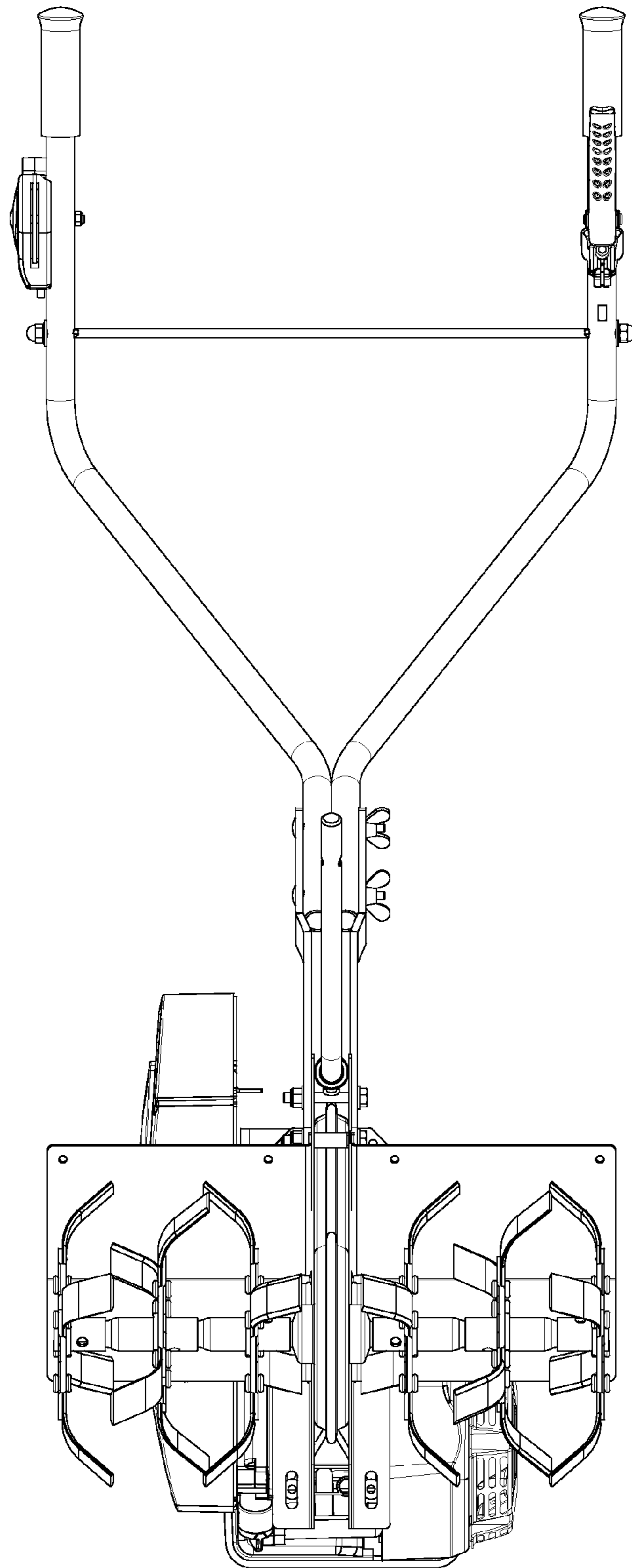


Fig. 7