



US00D635143S

(12) **United States Design Patent**
Derry et al.

(10) **Patent No.:** **US D635,143 S**
(45) **Date of Patent:** **** Mar. 29, 2011**

(54) **MOUNTING APPARATUS FOR ELECTRONIC DISPLAYS**

(75) Inventors: **Bradley A. Derry**, Easton, PA (US);
Christopher E. Grim, Freemansburg, PA (US)

(73) Assignee: **Innovative Office Products, Inc.**,
Easton, PA (US)

(**) Term: **14 Years**

(21) Appl. No.: **29/362,595**

(22) Filed: **May 27, 2010**

(51) **LOC (9) Cl.** **08-07**

(52) **U.S. Cl.** **D14/451**

(58) **Field of Classification Search** D14/448,
D14/439, 440, 447, 449, 450, 451, 452, 432,
D14/434, 457, 336, 337, 339, 340, 371, 372,
D14/373, 374, 375, 376, 377, 378, 379, 380,
D14/381, 382, 126, 127, 128, 129, 203.8,
D14/217, 238.1, 239; 345/905; 248/917,
248/918, 919, 920, 921, 922, 923, 924; 348/184,
348/739, 761, 791, 825, 834, 835; 349/58,
349/60; D6/406.1, 406.3, 406.4, 406.5, 406.6;
D8/363, 380; 361/679.06, 679.02, 679.09,
361/679.21, 679.3, 679.55, 679.56, 679.26,
361/679.27

See application file for complete search history.

(56) **References Cited**

U.S. PATENT DOCUMENTS

D383,966	S *	9/1997	Zaccagni	D8/354
RE36,978	E	12/2000	Moscovitch		
7,061,754	B2 *	6/2006	Moscovitch	361/679.21
7,331,551	B2	2/2008	Oddsens, Jr.		
D586,206	S *	2/2009	Robbins et al.	D8/380
D603,386	S *	11/2009	Le	D14/239
7,665,699	B2	2/2010	Oddsens, Jr. et al.		
D621,842	S *	8/2010	Sapper	D14/452

D624,084	S *	9/2010	Scheper et al.	D14/452
2004/0011938	A1 *	1/2004	Oddsens, Jr.	248/393
2005/0224682	A1 *	10/2005	Ishizaki et al.	248/455
2006/0065795	A1 *	3/2006	Blackburn	248/122.1
2007/0097618	A1 *	5/2007	Searby et al.	361/686
2007/0205340	A1 *	9/2007	Jung	248/125.9
2008/0117578	A1 *	5/2008	Moscovitch	361/681

OTHER PUBLICATIONS

Innovative Office Products, Inc. Model 7500 Wing product brochure and product photos.

* cited by examiner

Primary Examiner — Angela J Lee

(74) *Attorney, Agent, or Firm* — Design IP

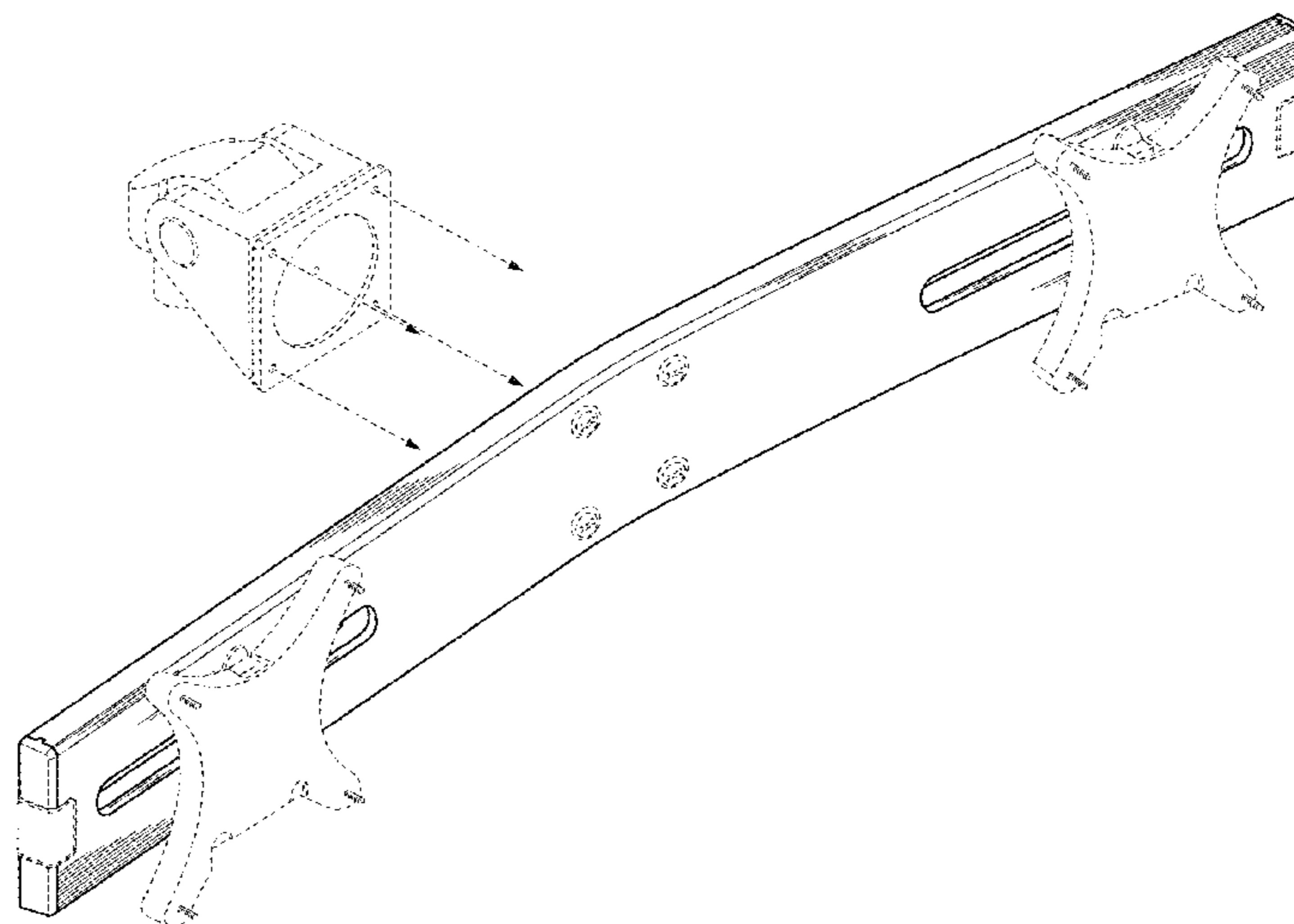
(57) **CLAIM**

The ornamental design for a mounting apparatus for electronic displays, as shown and described.

DESCRIPTION

FIG. 1 is a front perspective view of a mounting apparatus for electronic displays showing our new design;
FIG. 2 is a front view thereof;
FIG. 3 is a rear view thereof;
FIG. 4 is a left side view thereof;
FIG. 5 is a right side view thereof;
FIG. 6 is a top view thereof;
FIG. 7 is a bottom view thereof;
FIG. 8 is a front perspective view thereof, shown with environmental elements in broken lines; and,
FIG. 9 is a rear perspective view thereof.
The broken lines shown in FIGS. 1-9 are included for the purpose of illustrating environmental elements only and form no part of the claimed design.
Metal surfaces are shown in FIGS. 1-9 with appropriate surface shading for metal. Synthetic resin or plastic surfaces are shown with stippling in FIGS. 1-9

1 Claim, 6 Drawing Sheets



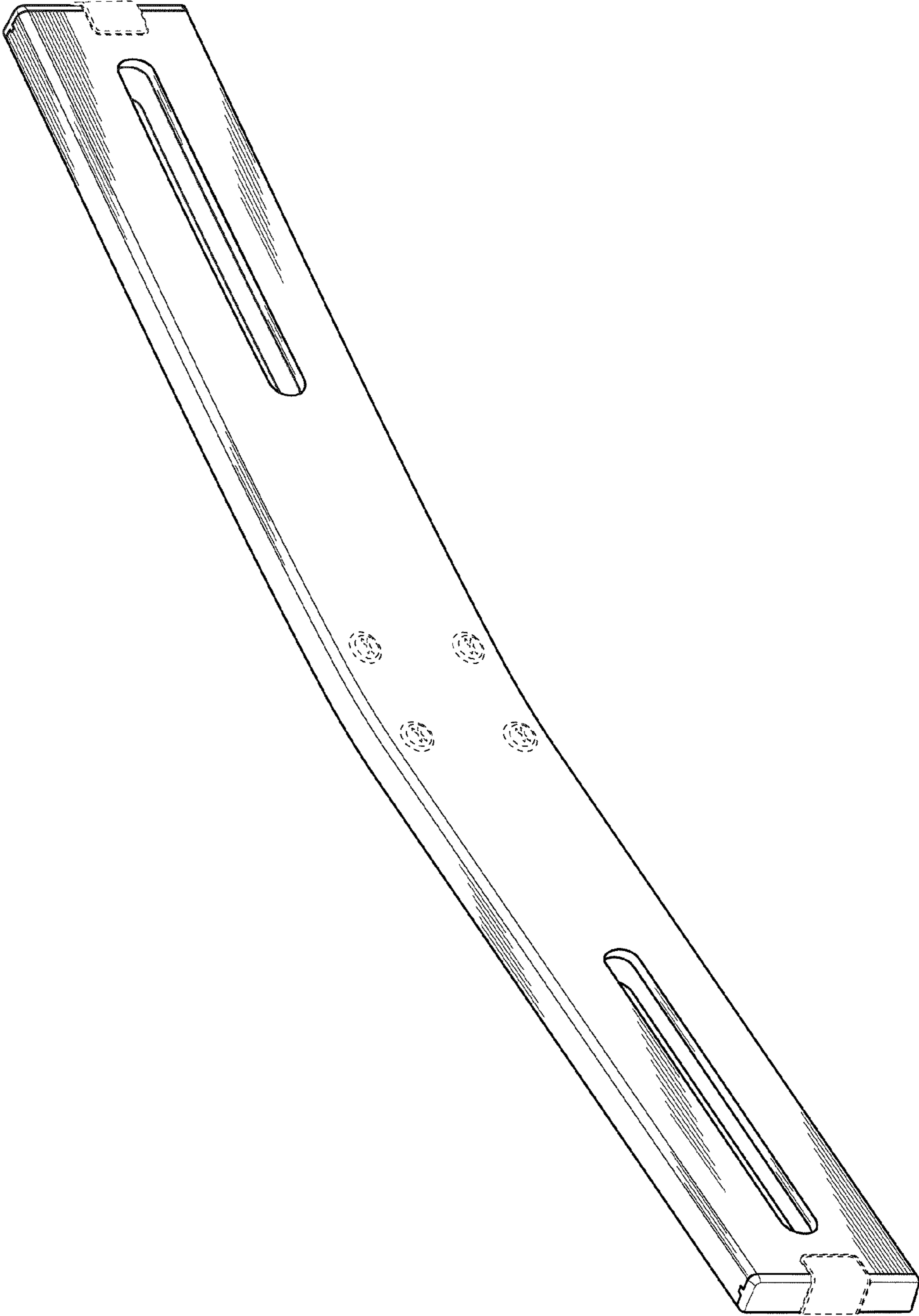


FIG. 1

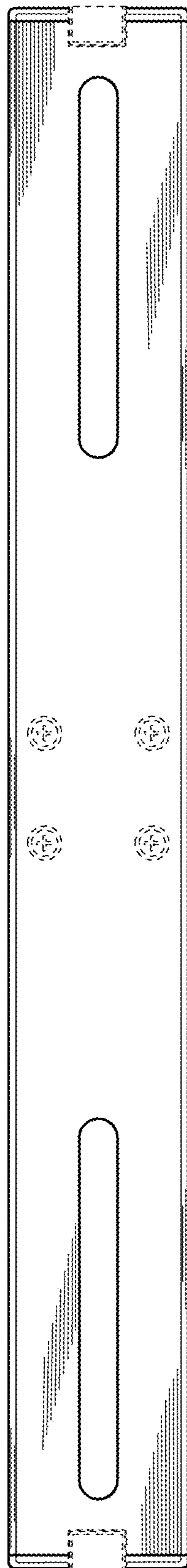


FIG. 2

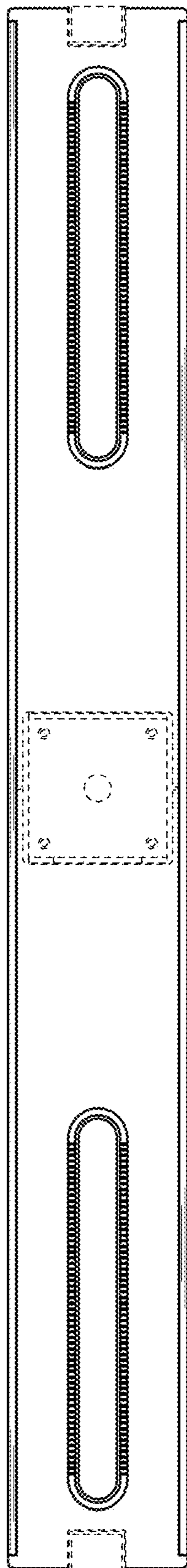


FIG. 3

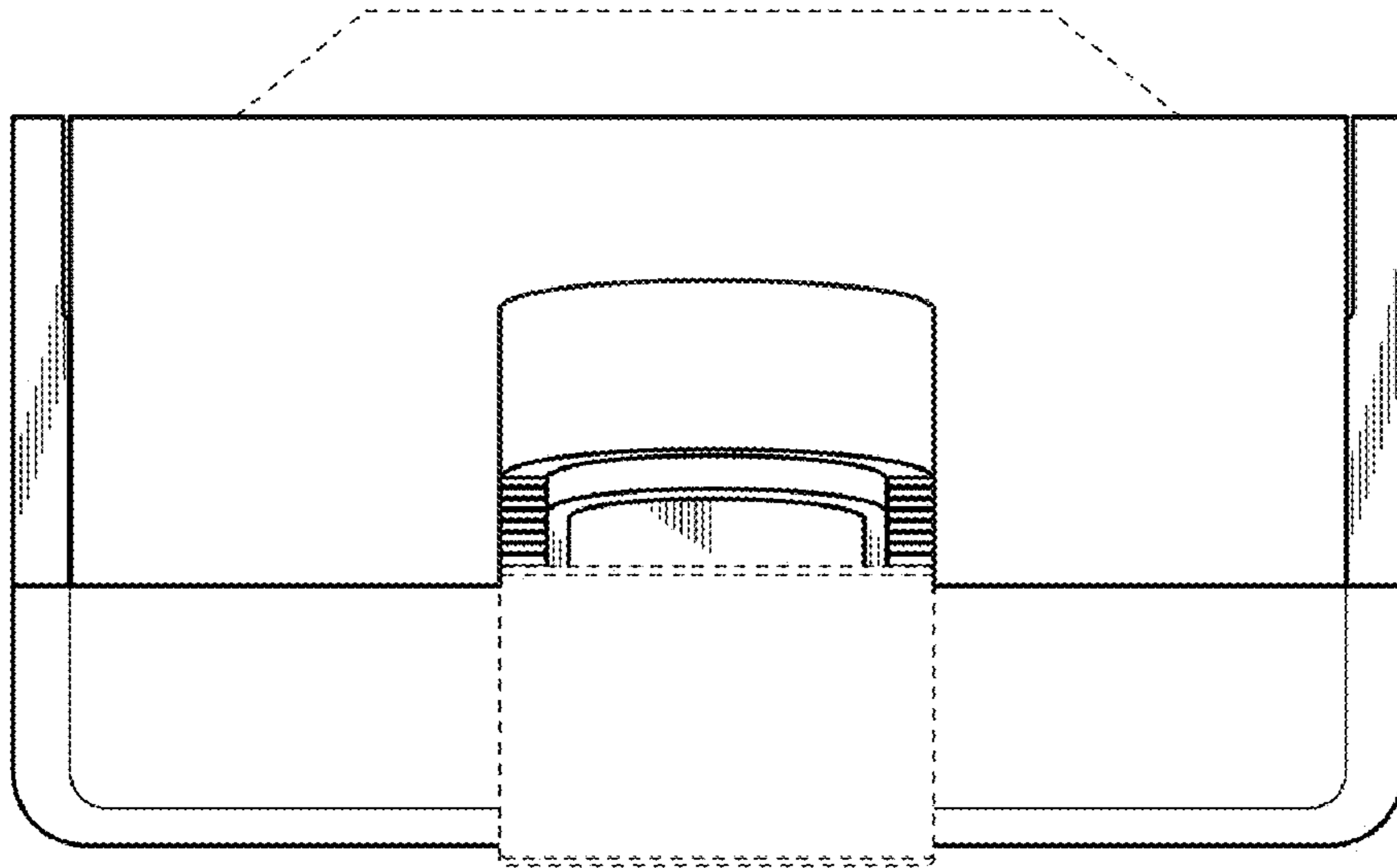


FIG. 5

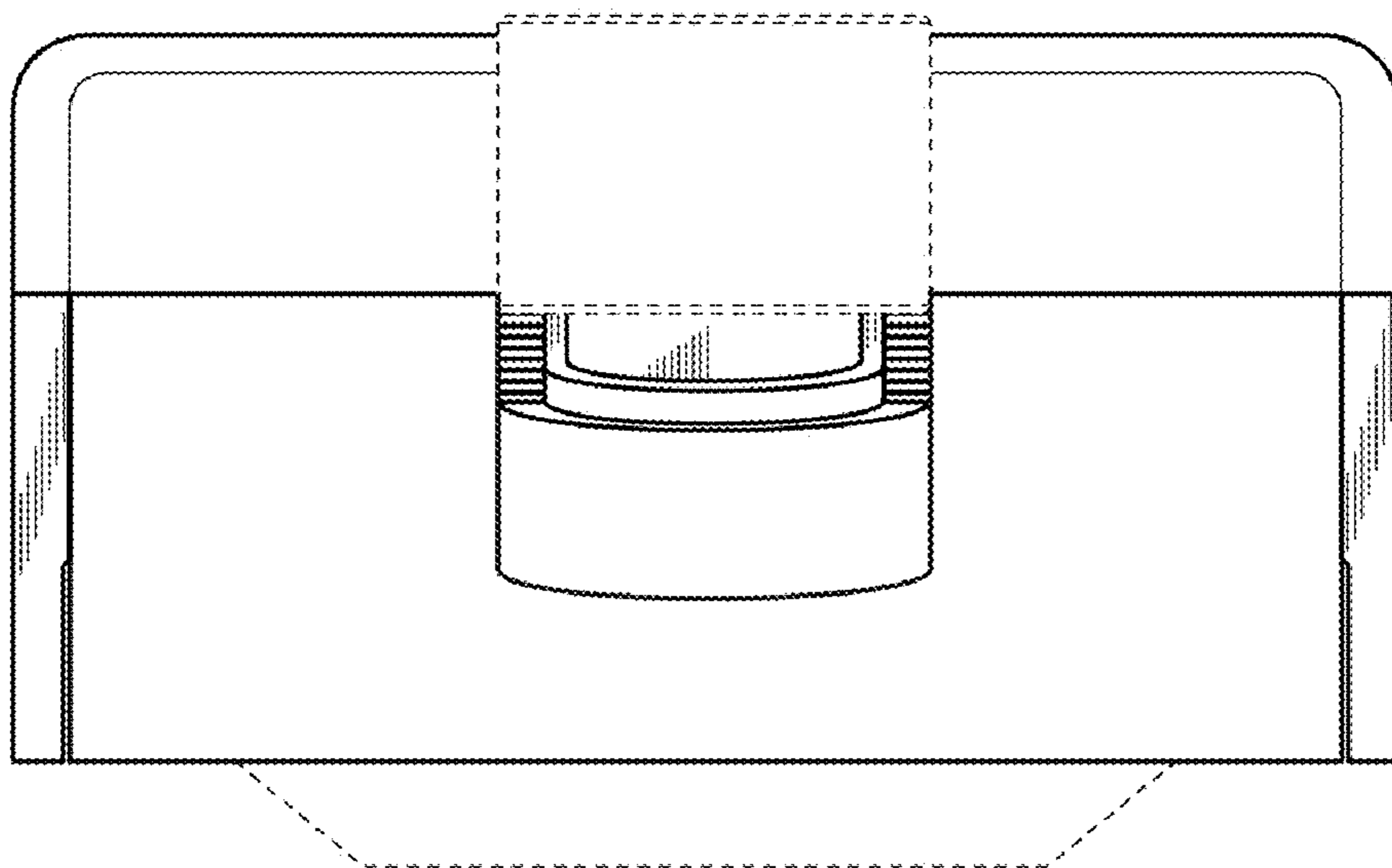


FIG. 4

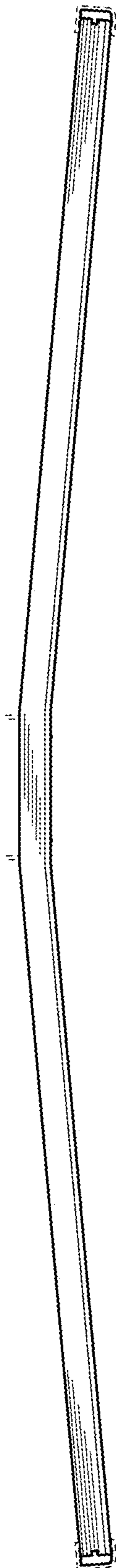


FIG. 6

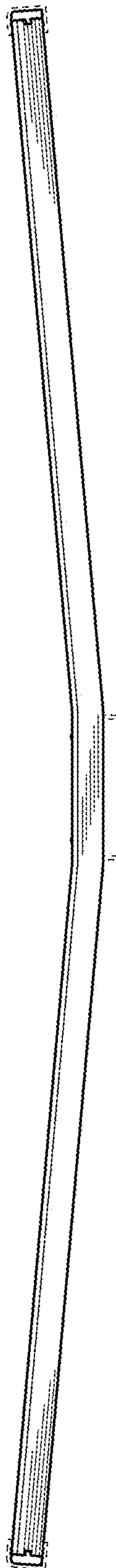


FIG. 7

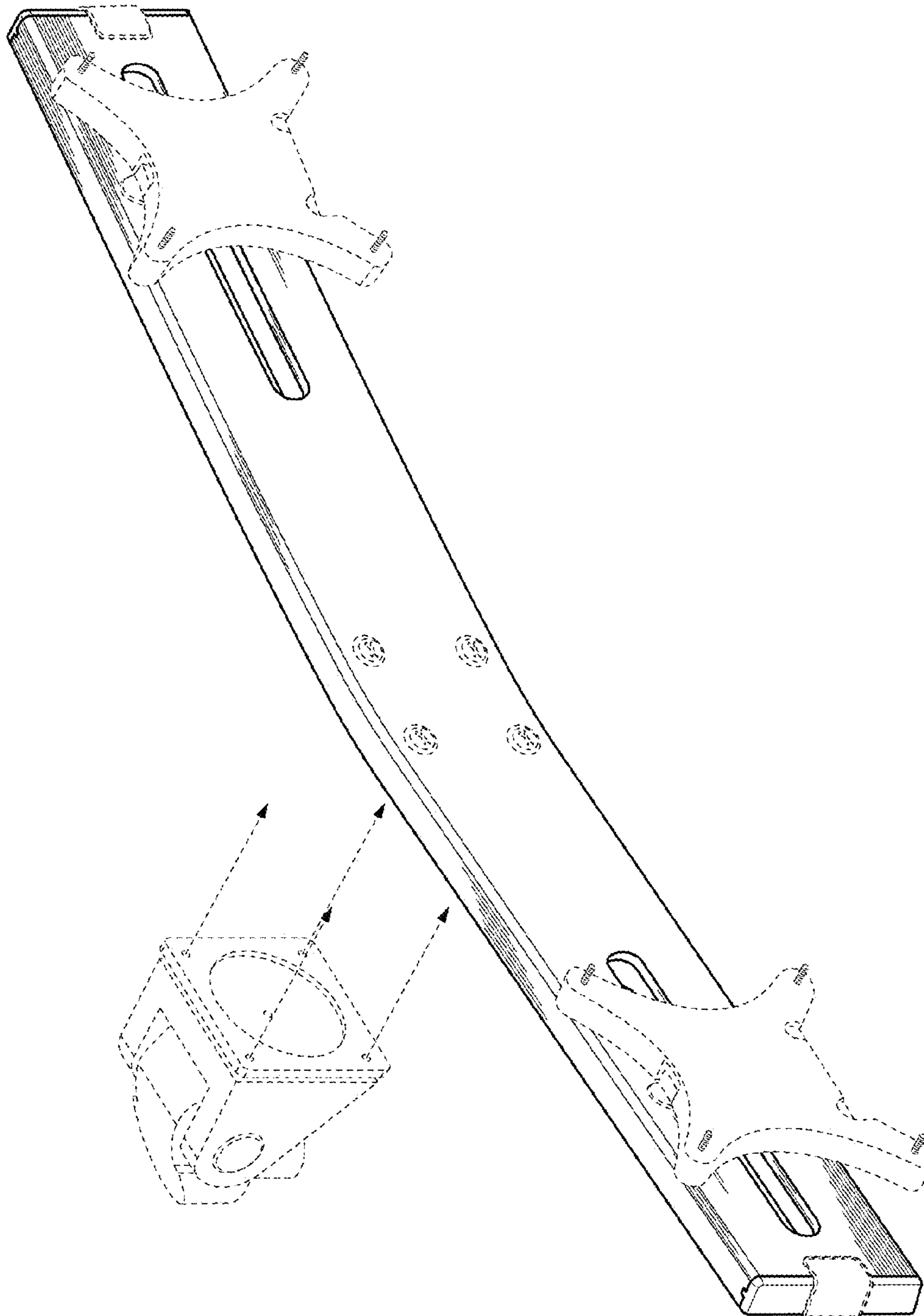


FIG. 8

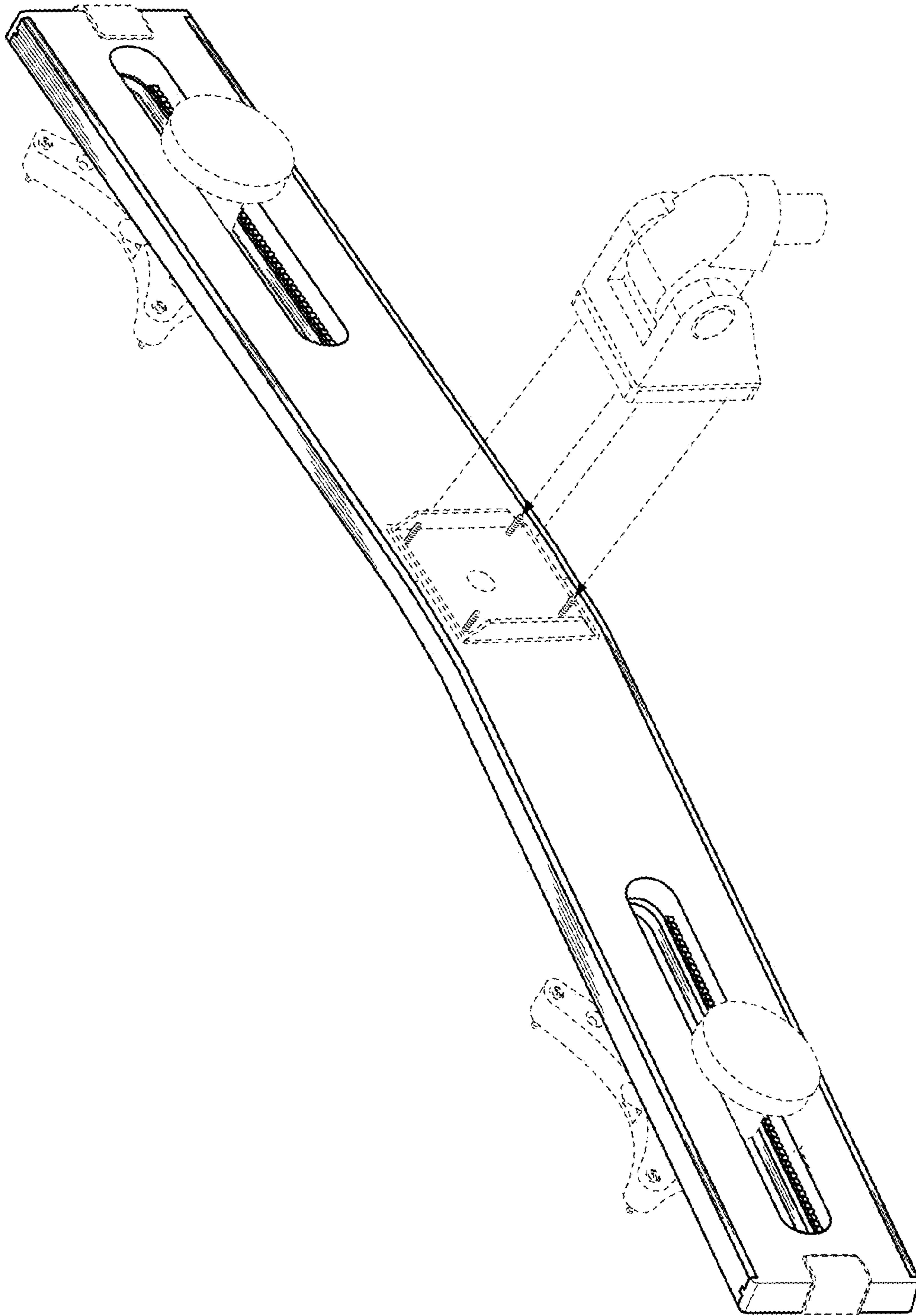


FIG. 9