



US00D635142S

(12) **United States Design Patent**
Borislow

(10) **Patent No.:** **US D635,142 S**
(45) **Date of Patent:** **** *Mar. 29, 2011**

(54) **USB DEVICE FOR FACILITATING VOIP CALLS**

(75) Inventor: **Daniel M. Borislow**, Palm Beach, FL (US)

(73) Assignee: **YMax Communications Corp.**, West Palm Beach, FL (US)

(*) Notice: This patent is subject to a terminal disclaimer.

(**) Term: **14 Years**

(21) Appl. No.: **29/345,097**

(22) Filed: **Oct. 9, 2009**

Related U.S. Application Data

(63) Continuation-in-part of application No. 29/302,696, filed on Jan. 22, 2008, now Pat. No. Des. 603,864.

(51) **LOC (9) Cl.** **14-02**

(52) **U.S. Cl.** **D14/435.1**

(58) **Field of Classification Search** D14/356, D14/411, 433, 435.1, 436, 137, 155, 167, D14/168, 203.1-203.8, 240, 242, 299, 480.1-480.7, D14/484.1, 140, 218, 358, 217, 238.1; D3/201, D3/273; D13/107, 108, 149, 184, 168; 710/300, 710/301; 439/131, 135-147; 361/679.31, 361/679.33, 679.4, 752; 711/100, 115; 360/69; 379/220.01, 221.01-221.02, 25, 93.09, 93.15, 379/93.14, 156, 900; 455/550.1, 557
See application file for complete search history.

(56) **References Cited**

U.S. PATENT DOCUMENTS

1,226,727 A	5/1917	Wachtel
D248,470 S	7/1978	Talesfore
D257,345 S	10/1980	Levy
D264,347 S	5/1982	Peroni
D269,088 S	5/1983	Genaro et al.

D273,295 S	4/1984	Stewart	
4,475,784 A *	10/1984	Lukawich	439/138
D280,317 S	8/1985	Boyd et al.	
D281,600 S	12/1985	Claxton et al.	
D291,310 S	8/1987	Ogura	
D314,382 S	2/1991	Schied et al.	
D321,174 S	10/1991	Tsuchiya	
D339,807 S *	9/1993	Tattari et al.	D14/240
D341,363 S *	11/1993	Chambers	D14/240
5,371,349 A	12/1994	Kimura	
D366,878 S *	2/1996	Wakabayashi et al.	D14/242
5,515,515 A	5/1996	Kennedy et al.	
D371,054 S	6/1996	Henderson	
5,574,625 A *	11/1996	Ohgami et al.	361/679.09
5,574,859 A *	11/1996	Yeh	710/300
D376,146 S *	12/1996	Totsch	D14/155
D383,732 S	9/1997	Haley et al.	
D412,326 S	7/1999	Gianfagna et al.	
D416,004 S	11/1999	Tanimura	
6,005,774 A	12/1999	Chiba et al.	
6,059,583 A	5/2000	Croft et al.	
6,065,076 A	5/2000	Sorenson	

(Continued)

Primary Examiner — Cathron C Brooks

Assistant Examiner — Karen E Kearney

(74) *Attorney, Agent, or Firm* — Arnold & Porter LLP

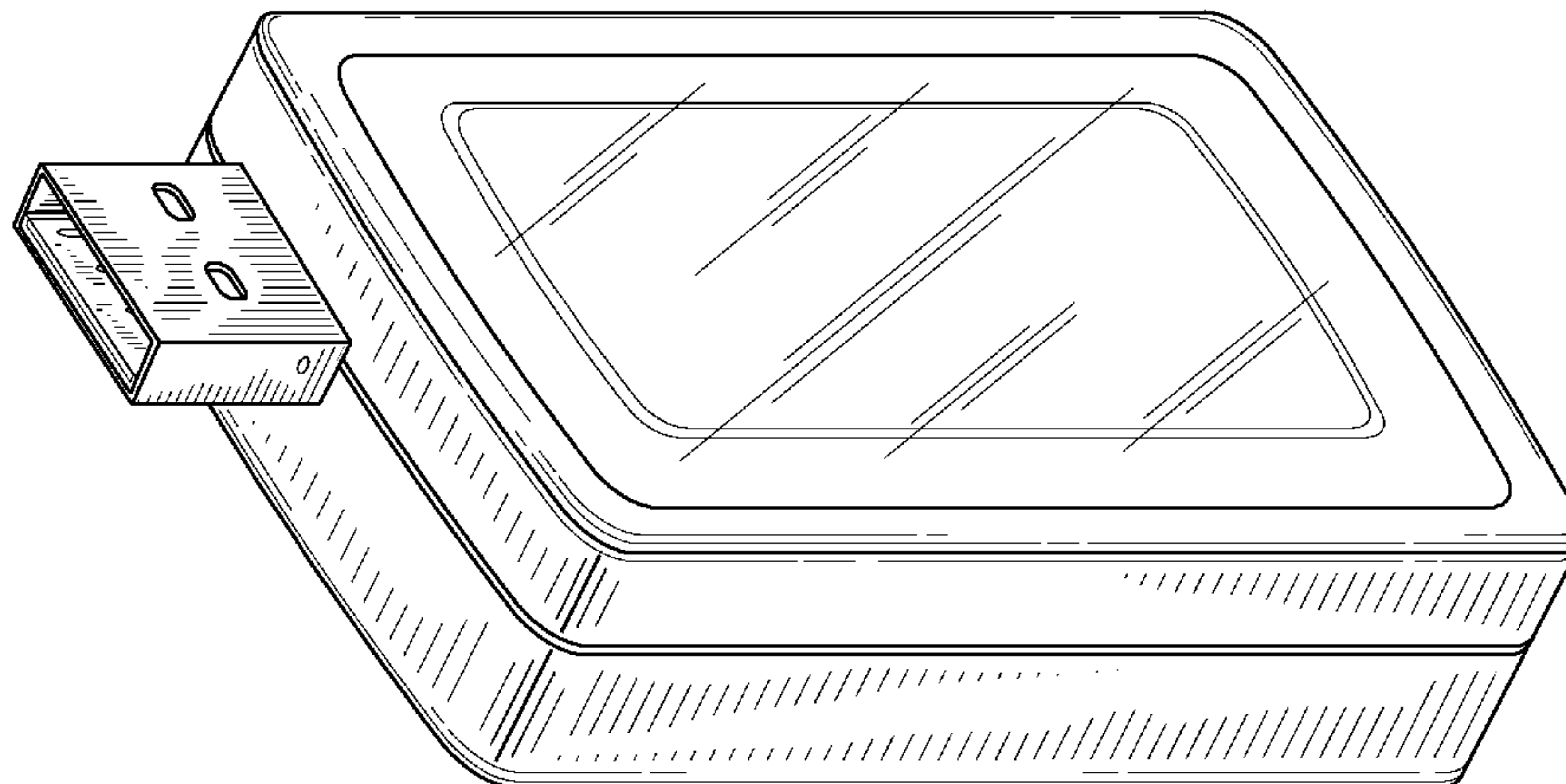
(57) **CLAIM**

The ornamental design for a USB device for facilitating VoIP calls, as shown and described.

DESCRIPTION

FIG. 1 is a top left perspective view of a USB device for facilitating VoIP calls, showing my new design;
FIG. 2 is a top view thereof;
FIG. 3 is a bottom view thereof;
FIG. 4 is a left side view thereof;
FIG. 5 is a right side view thereof;
FIG. 6 is a front view thereof;
FIG. 7 is a rear view thereof; and,
FIG. 8 is a top right perspective view thereof.

1 Claim, 6 Drawing Sheets



US D635,142 S

Page 2

U.S. PATENT DOCUMENTS

D432,122 S	10/2000	Richter		7,249,959 B2 *	7/2007	Pettersson et al.	439/142
6,167,183 A	12/2000	Swain		D555,158 S	11/2007	Lo	
D435,841 S *	1/2001	Thousand	D14/168	D556,211 S	11/2007	Howard	
6,217,351 B1	4/2001	Fung et al.		D558,460 S	1/2008	Yu et al.	
D441,735 S	5/2001	Katayama		D559,249 S	1/2008	Takei	
D445,422 S	7/2001	Hsin		D563,093 S *	3/2008	Nussberger	D3/201
6,297,448 B1	10/2001	Hara		7,338,328 B2	3/2008	Krieger et al.	
D454,130 S	3/2002	Do et al.		D565,978 S	4/2008	Stevens et al.	
D463,426 S *	9/2002	Cheng	D14/480.1	D569,837 S	5/2008	Baik et al.	
6,567,273 B1	5/2003	Liu et al.		D570,844 S	6/2008	Liu et al.	
6,665,201 B1	12/2003	Spencer et al.		D575,760 S	8/2008	Kim et al.	
6,676,420 B1	1/2004	Liu et al.		7,407,393 B2	8/2008	Ni et al.	
D486,479 S	2/2004	Chung		D577,353 S	9/2008	Kim et al.	
D486,824 S	2/2004	Chung		D577,703 S	9/2008	Lee et al.	
D487,086 S	2/2004	Chung		D577,704 S	9/2008	Park et al.	
D487,458 S	3/2004	Gentil et al.		D579,930 S	11/2008	Maskatia	
6,705,890 B2	3/2004	Kitou et al.		D580,931 S	11/2008	Chang et al.	
D490,402 S	5/2004	Jung et al.		7,452,231 B2	11/2008	Wan	
D491,563 S	6/2004	Sato et al.		D583,342 S	12/2008	Kim et al.	
6,772,233 B2	8/2004	Iida et al.		D583,345 S	12/2008	Kim et al.	
6,804,749 B2	10/2004	Chien et al.		D584,711 S	1/2009	Kim et al.	
6,808,400 B2	10/2004	Tu		D584,738 S	1/2009	Kim et al.	
D502,173 S	2/2005	Jung et al.		D587,265 S	2/2009	Maiers et al.	
6,908,038 B1	6/2005	Le		D587,668 S	3/2009	Bang et al.	
D509,214 S *	9/2005	Chung	D14/240	D592,649 S *	5/2009	L'Henaff et al.	D14/240
D511,344 S	11/2005	Takei		D595,223 S *	6/2009	Yamamoto et al.	D13/108
D511,770 S	11/2005	Chung		D599,795 S *	9/2009	Lindley	D14/358
D514,103 S	1/2006	Huang et al.		D603,864 S *	11/2009	Borislow	D14/435.1
D517,065 S	3/2006	Ko et al.		D606,549 S *	12/2009	He	D14/480.7
D522,520 S	6/2006	Hsu		D610,538 S *	2/2010	Wu et al.	D13/103
7,104,816 B1	9/2006	Wang		2001/0053634 A1	12/2001	Camacho	
7,121,846 B2	10/2006	Katayanagi		2002/0083239 A1	6/2002	Iida et al.	
D532,785 S	11/2006	Lo et al.		2003/0045176 A1	3/2003	Liu	
D532,791 S	11/2006	Kim		2003/0063196 A1	4/2003	Palatov et al.	
7,151,673 B2	12/2006	Le et al.		2003/0093606 A1	5/2003	Mambakkam et al.	
D535,281 S	1/2007	Yang		2005/0107137 A1	5/2005	Byun et al.	
D537,036 S	2/2007	Chen		2005/0161513 A1	7/2005	Huang et al.	
D537,088 S	2/2007	Liu		2005/0210168 A1	9/2005	Chen et al.	
D540,203 S	4/2007	Jeon		2006/0208066 A1	9/2006	Finn et al.	
D541,785 S	5/2007	Hwang et al.		2007/0265031 A1	11/2007	Koizumi et al.	
D543,876 S	6/2007	Kalis et al.		2007/0287512 A1	12/2007	Kilpi et al.	
D543,981 S	6/2007	Diebel		2008/0144270 A1	6/2008	Dal Porto et al.	
D545,311 S	6/2007	Wai					

* cited by examiner

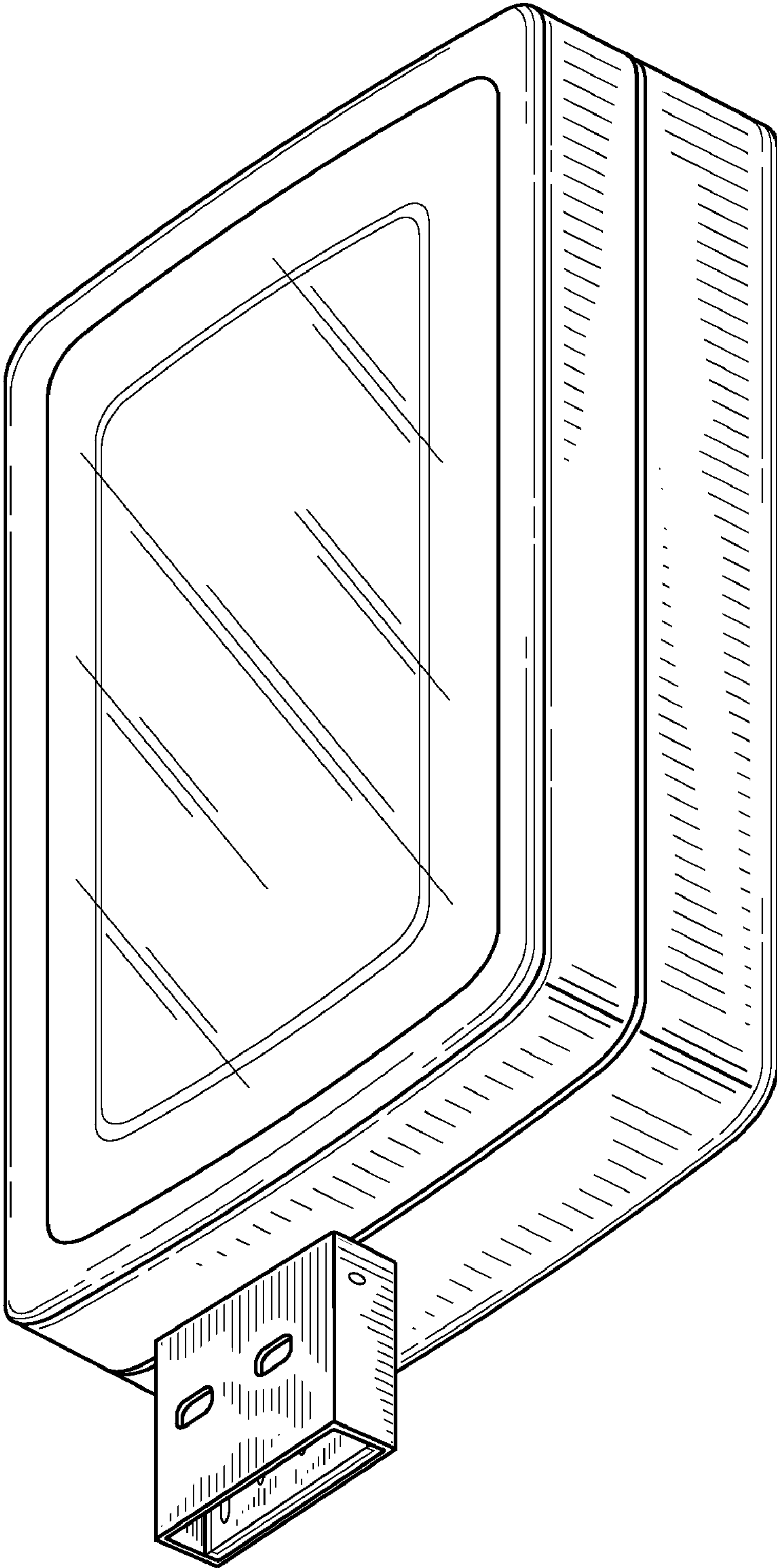


FIG. 1

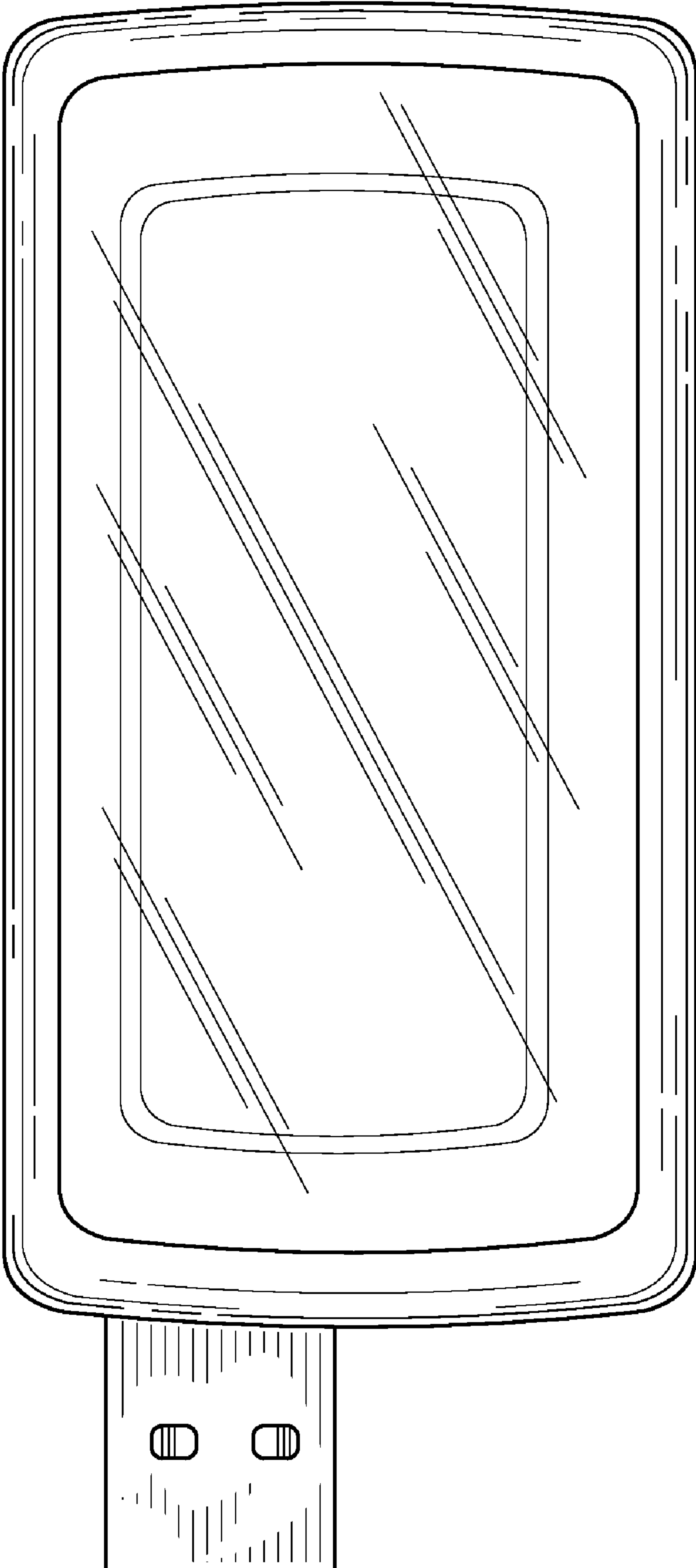


FIG. 2

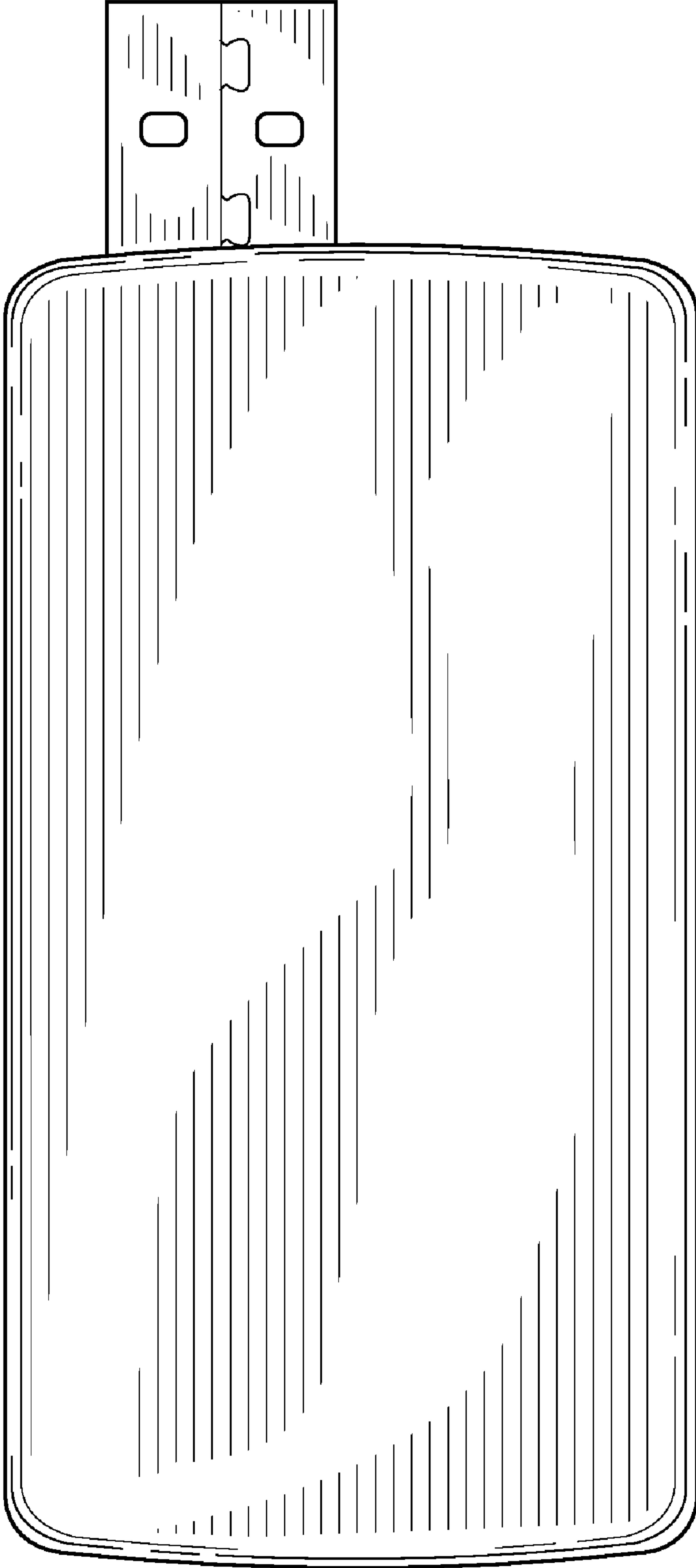


FIG. 3

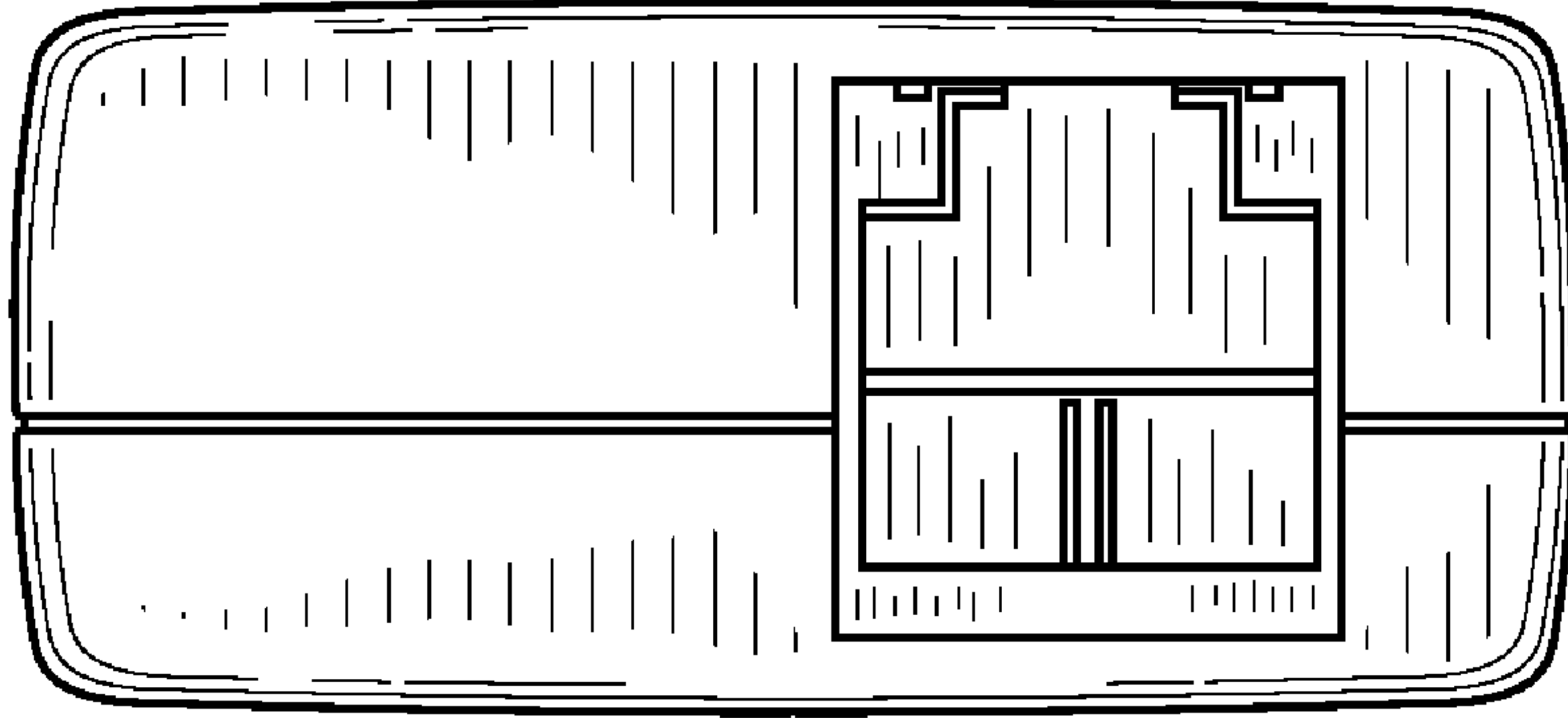


FIG. 5

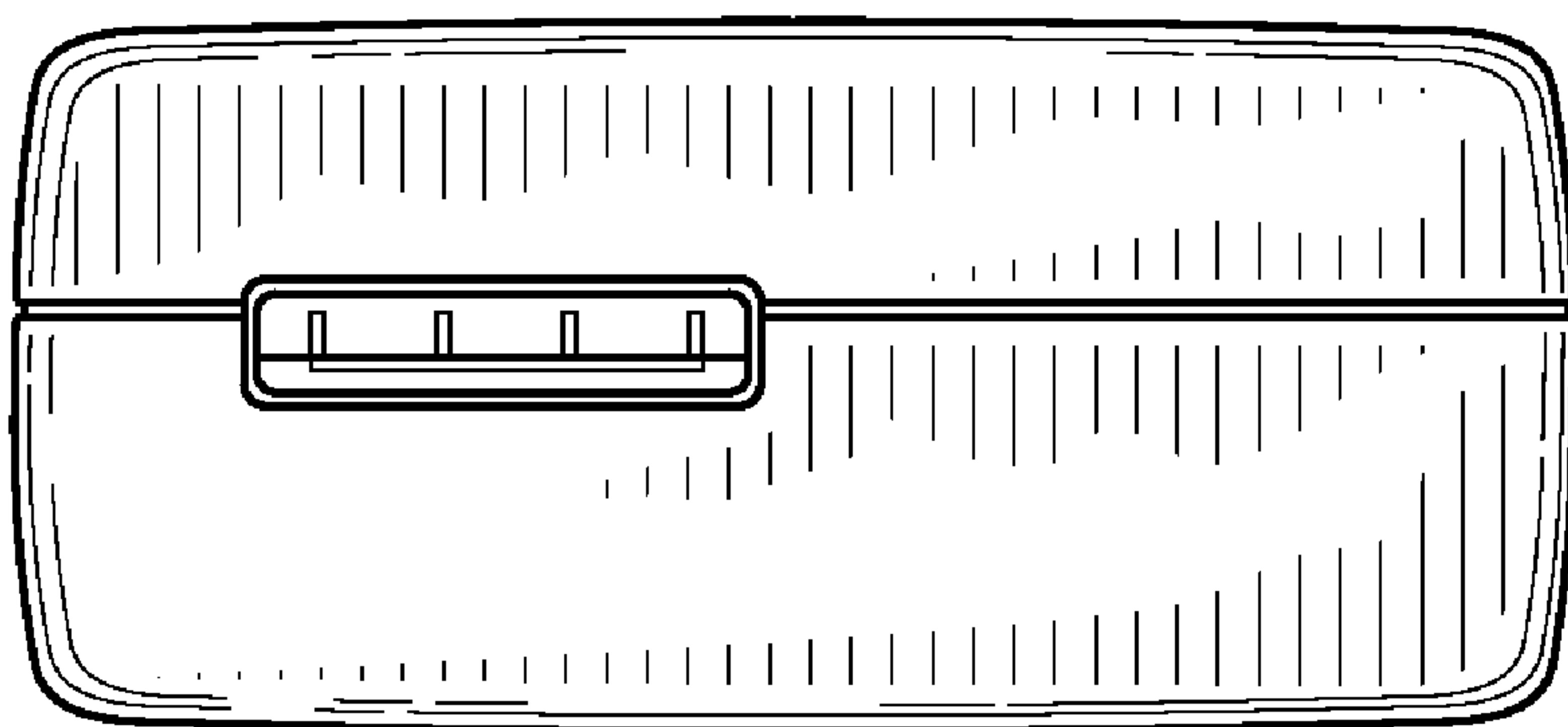


FIG. 4

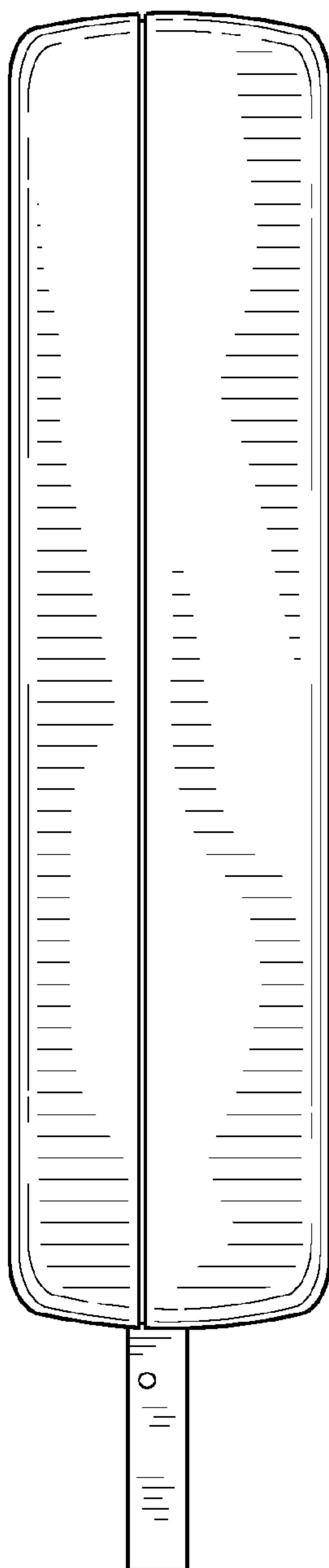


FIG. 6

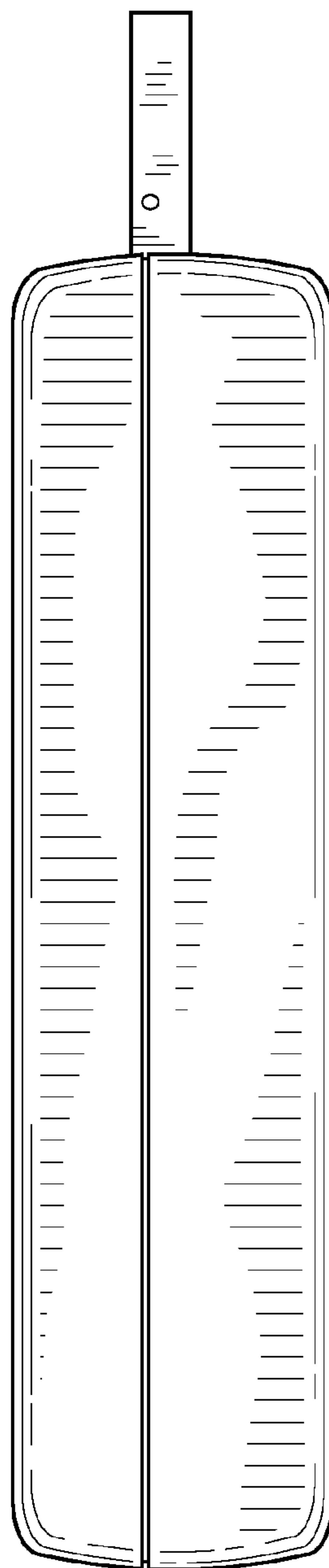


FIG. 7

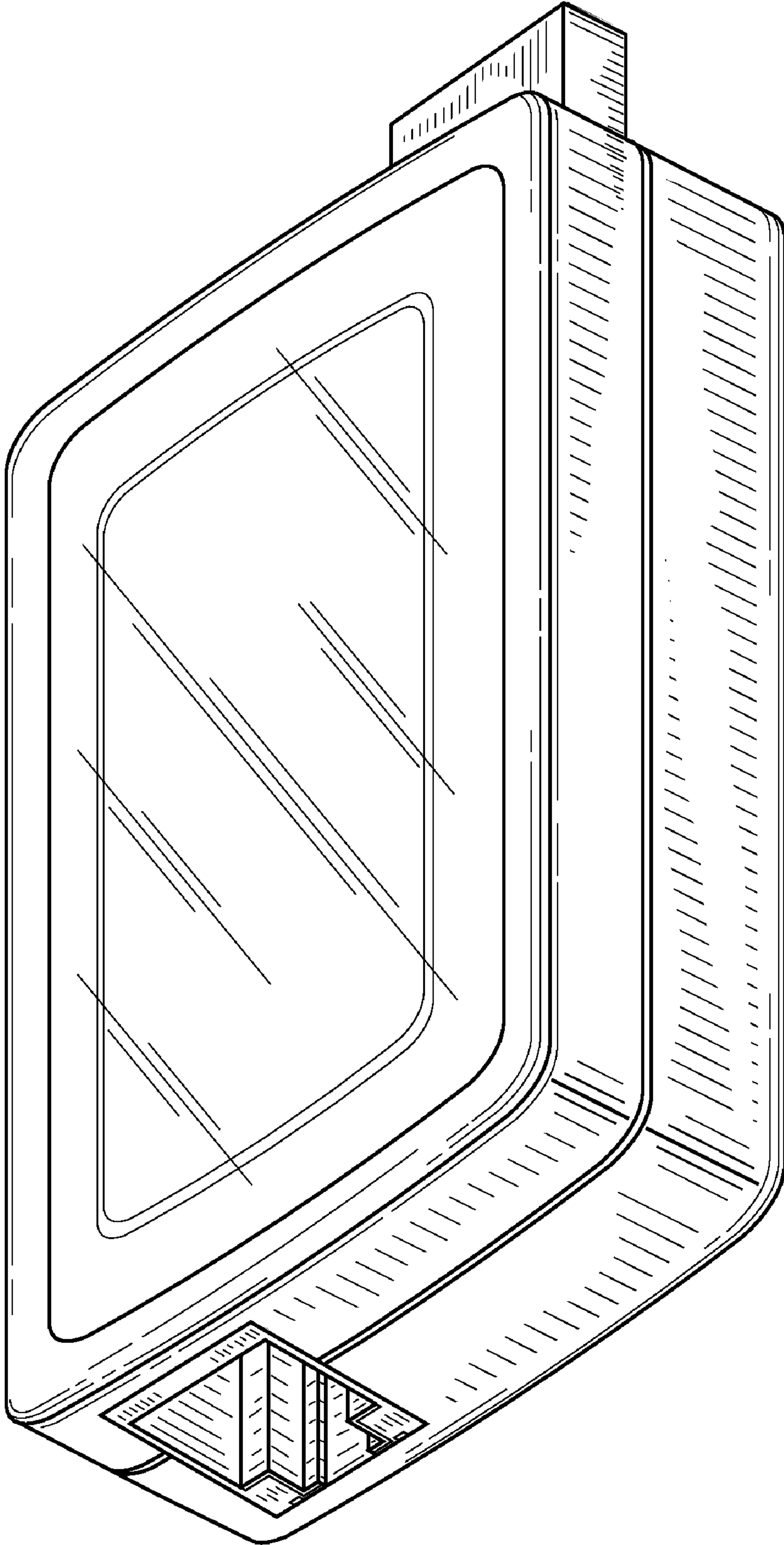


FIG. 8