



US00D635135S

(12) **United States Design Patent**
Li

(10) **Patent No.:** **US D635,135 S**
(45) **Date of Patent:** **** Mar. 29, 2011**

(54) **LID OF NOTEBOOK COMPUTER**

DESCRIPTION

- (75) Inventor: **Chun-Hsing Li**, Taipei (TW)
- (73) Assignee: **Getac Technology Corporation**,
Hsinchu (TW)
- (**) Term: **14 Years**
- (21) Appl. No.: **29/377,748**
- (22) Filed: **Oct. 25, 2010**

Related U.S. Application Data

- (63) Continuation-in-part of application No. 29/363,043, filed on Jun. 3, 2010, now Pat. No. Des. 628,196, and a continuation-in-part of application No. 29/363,045, filed on Jun. 3, 2010, now Pat. No. Des. 627,775, and a continuation-in-part of application No. 29/363,047, filed on Jun. 3, 2010, now Pat. No. Des. 628,197.

- (51) **LOC (9) Cl.** **14-02**
- (52) **U.S. Cl.** **D14/315**
- (58) **Field of Classification Search** D14/315-328,
D14/341-345, 441, 444, 445; D18/1, 2,
D18/7, 11; 400/486, 489; 345/102, 104,
345/156, 163, 168; 341/22, 23; 361/679.08,
361/679.09, 679.26, 679.27

See application file for complete search history.

(56) **References Cited**

U.S. PATENT DOCUMENTS

D346,368 S *	4/1994	Miyashita et al.	D14/327
D456,398 S *	4/2002	Horiki	D14/328
D558,754 S *	1/2008	Takemasa et al.	D14/328
D566,111 S *	4/2008	Nakagawa	D14/315
D572,709 S *	7/2008	Nakagawa et al.	D14/315

* cited by examiner

Primary Examiner — Freda S Nunn

(57) **CLAIM**

The ornamental design for a lid of notebook computer, as shown and described.

FIG. 1 is a perspective view showing a first embodiment of my new design, having four circular protrusions at the top of the lid;
 FIG. 2 is a front elevational view of the first embodiment of my new design;
 FIG. 3 is a rear elevational view of the first embodiment of my new design;
 FIG. 4 is a left side elevational view of the first embodiment of my new design;
 FIG. 5 is a right side elevational view of the first embodiment of my new design;
 FIG. 6 is a top plan view of the first embodiment of my new design;
 FIG. 7 is a bottom plan view of the first embodiment of my new design;
 FIG. 8 is a perspective view showing a second embodiment of my new design, having two circular protrusions at the back of the top of the lid;
 FIG. 9 is a front elevational view of the second embodiment of my new design;
 FIG. 10 is a rear elevational view of the second embodiment of my new design;
 FIG. 11 is a left side elevational view of the second embodiment of my new design;
 FIG. 12 is a right side elevational view of the second embodiment of my new design;
 FIG. 13 is a top plan view of the second embodiment of my new design;
 FIG. 14 is a bottom plan view of the second embodiment of my new design;
 FIG. 15 is a perspective view showing a third embodiment of my new design, having two circular protrusions at the front of the top of the lid;
 FIG. 16 is a front elevational view of the third embodiment of my new design;
 FIG. 17 is a rear elevational view of the third embodiment of my new design;
 FIG. 18 is a left side elevational view of the third embodiment of my new design;
 FIG. 19 is a right side elevational view of the third embodiment of my new design;
 FIG. 20 is a top plan view of the third embodiment of my new design;
 FIG. 21 is a bottom plan view of the third embodiment of my new design;

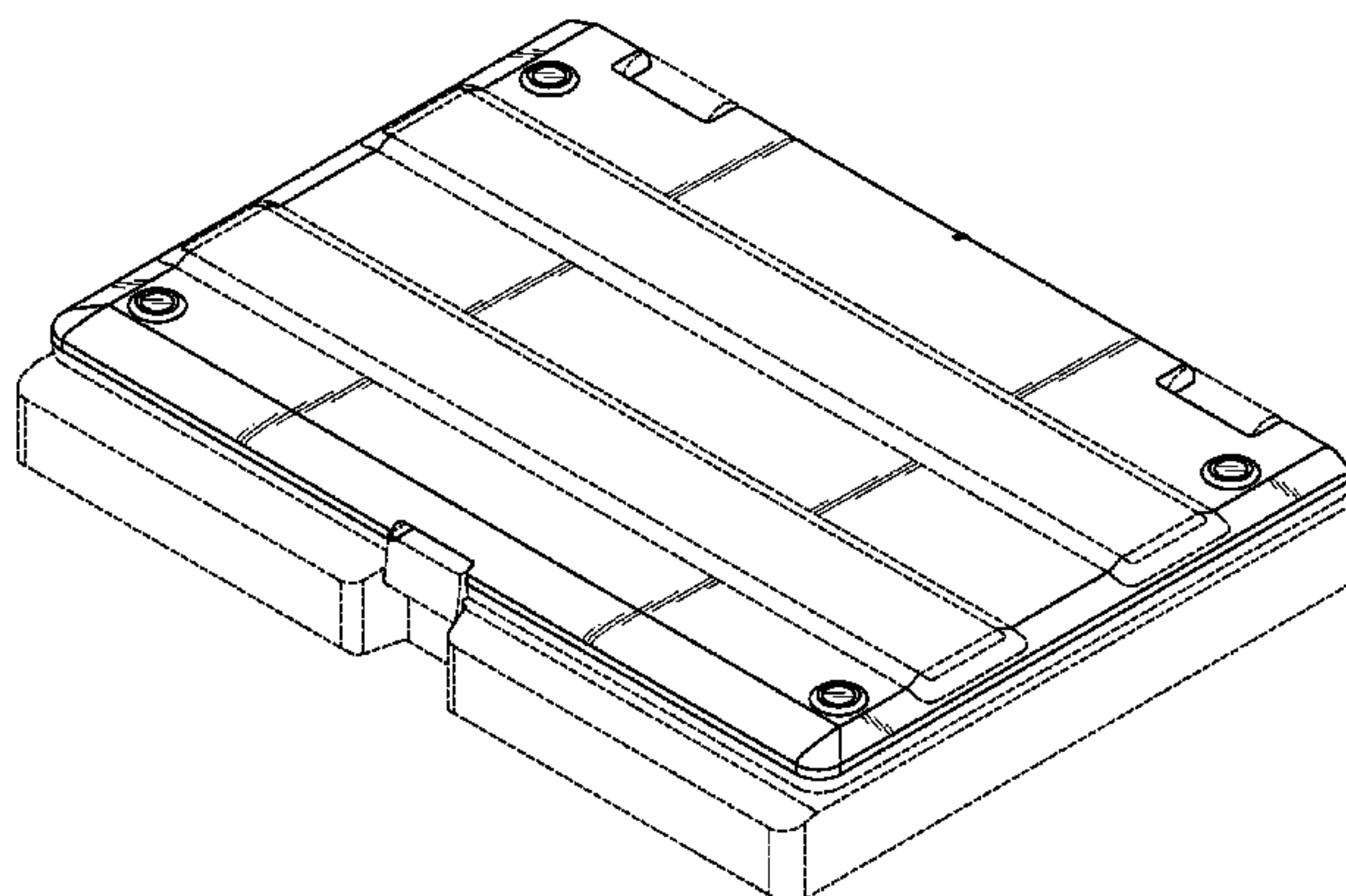


FIG. **22** is a perspective view showing a fourth embodiment of my new design, having two circular protrusions at opposite corners of the top of the lid;

FIG. **23** is a front elevational view of the fourth embodiment of my new design;

FIG. **24** is a rear elevational view of the fourth embodiment of my new design;

FIG. **25** is a left side elevational view of the fourth embodiment of my new design;

FIG. **26** is a right side elevational view of the fourth embodiment of my new design;

FIG. **27** is a top plan view of the fourth embodiment of my new design; and,

FIG. **28** is a bottom plan view of the fourth embodiment of my new design.

The broken lines which illustrate the environmental structure of the claimed design form no part thereof.

1 Claim, 20 Drawing Sheets

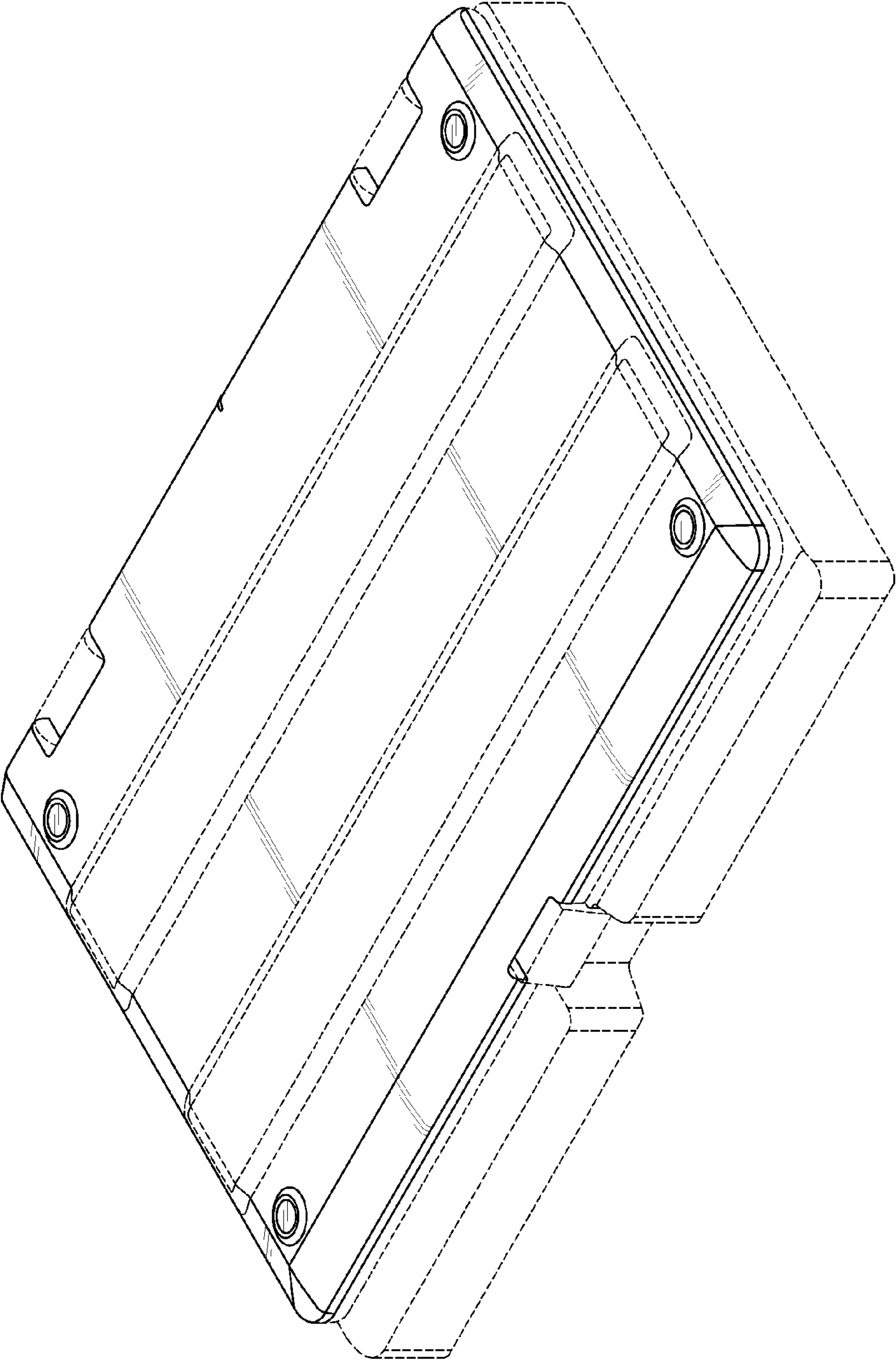


FIG.1

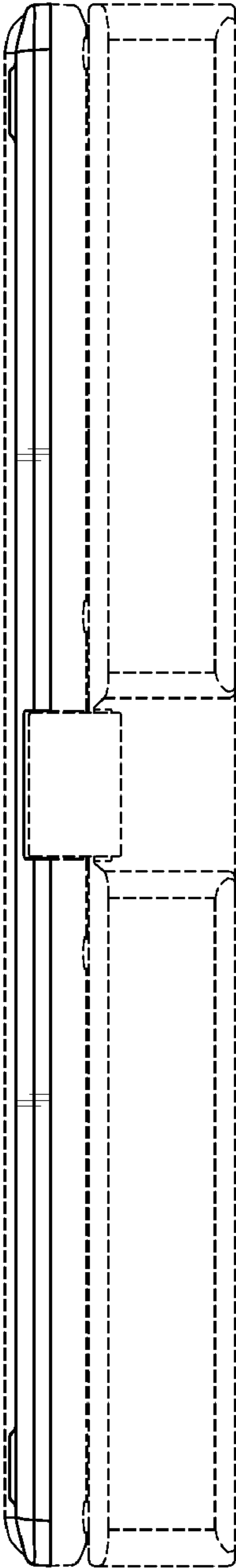


FIG. 2

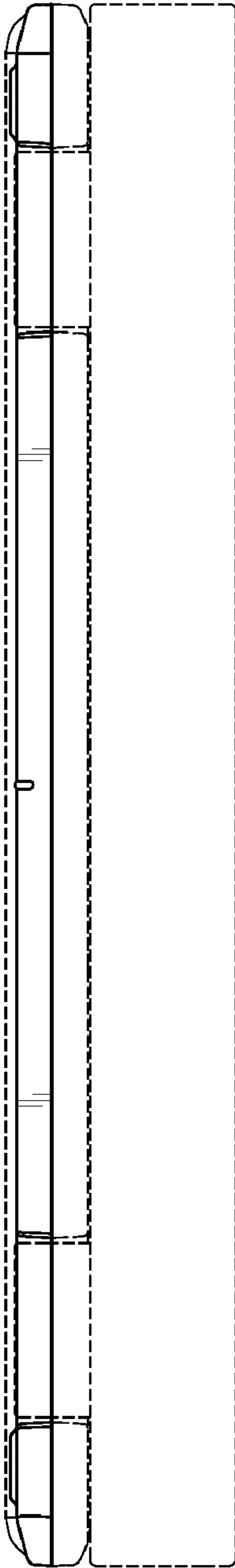


FIG. 3

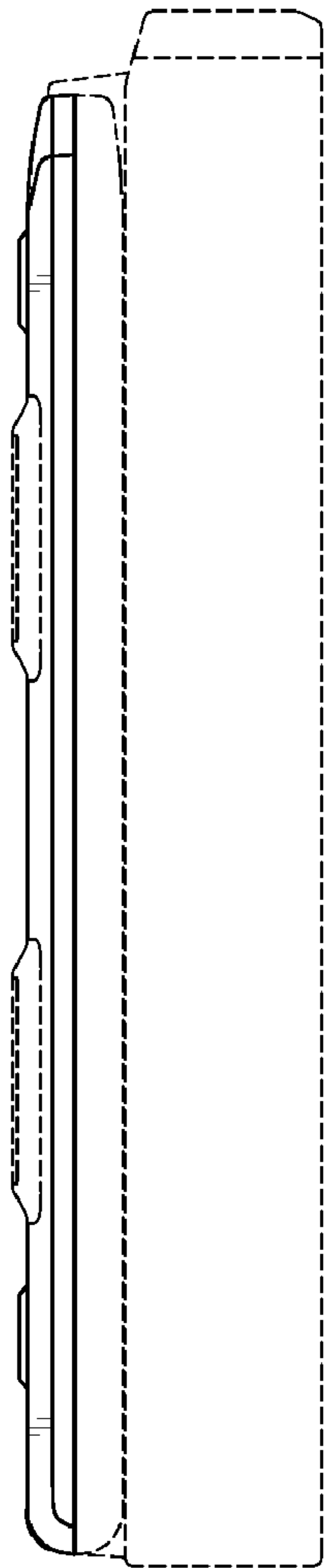


FIG. 4

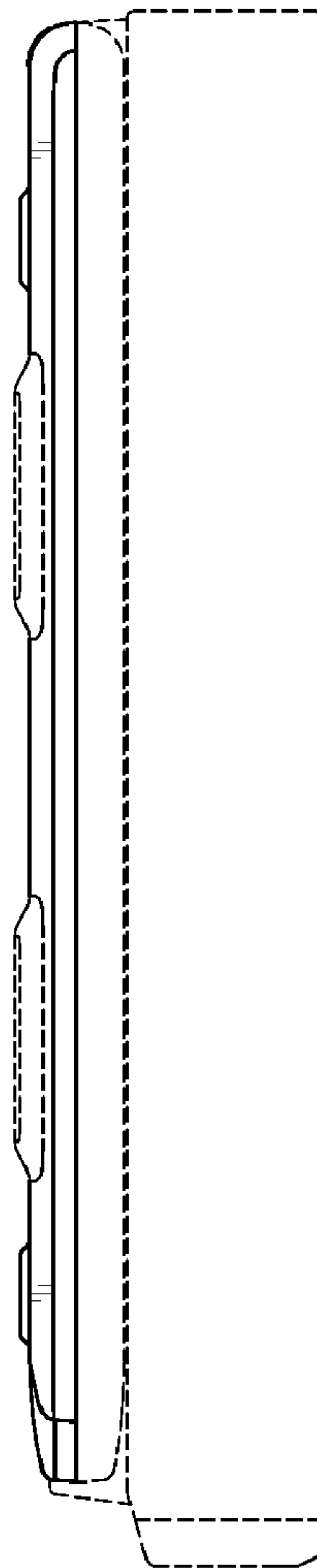


FIG. 5

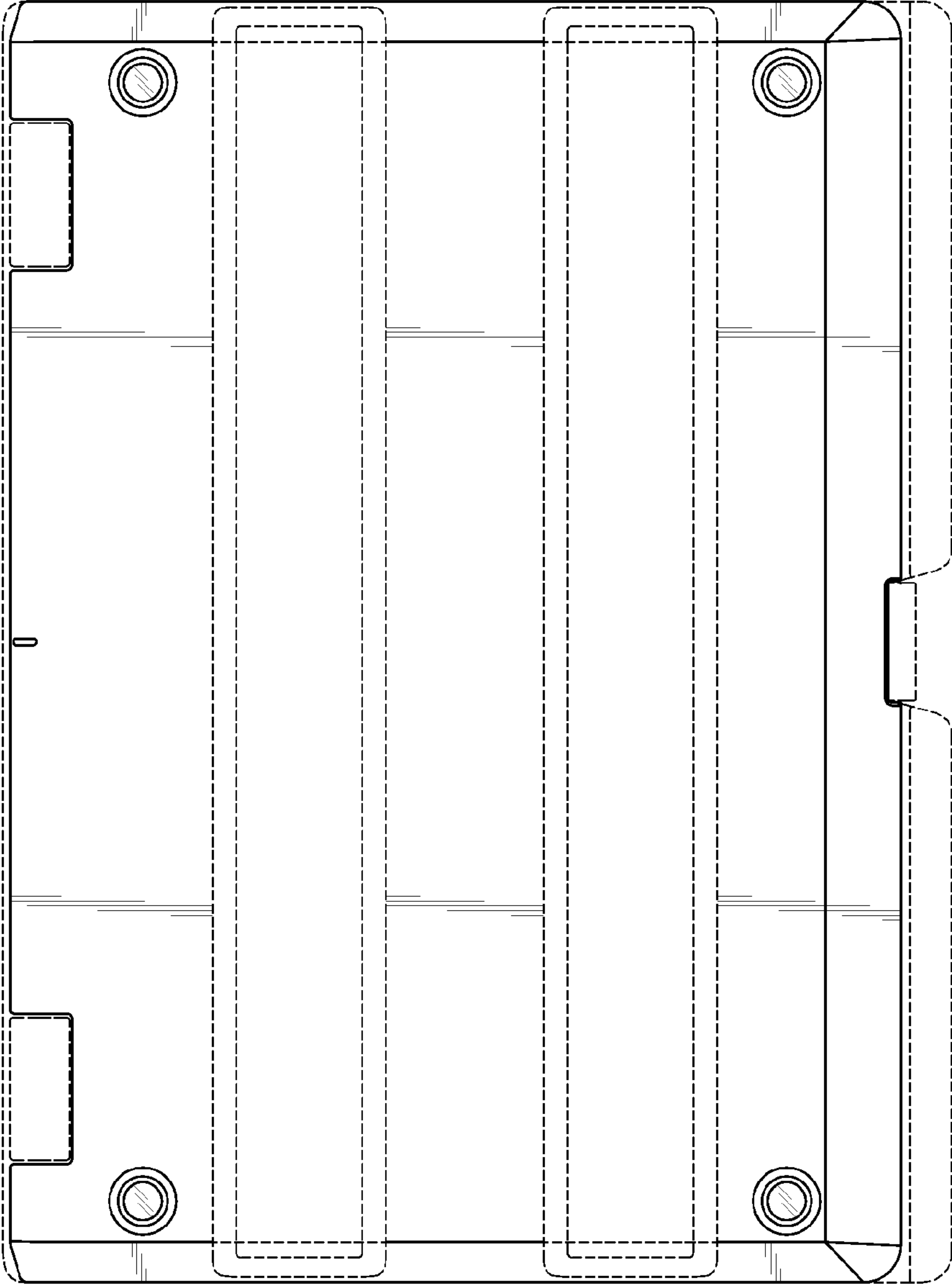


FIG.6

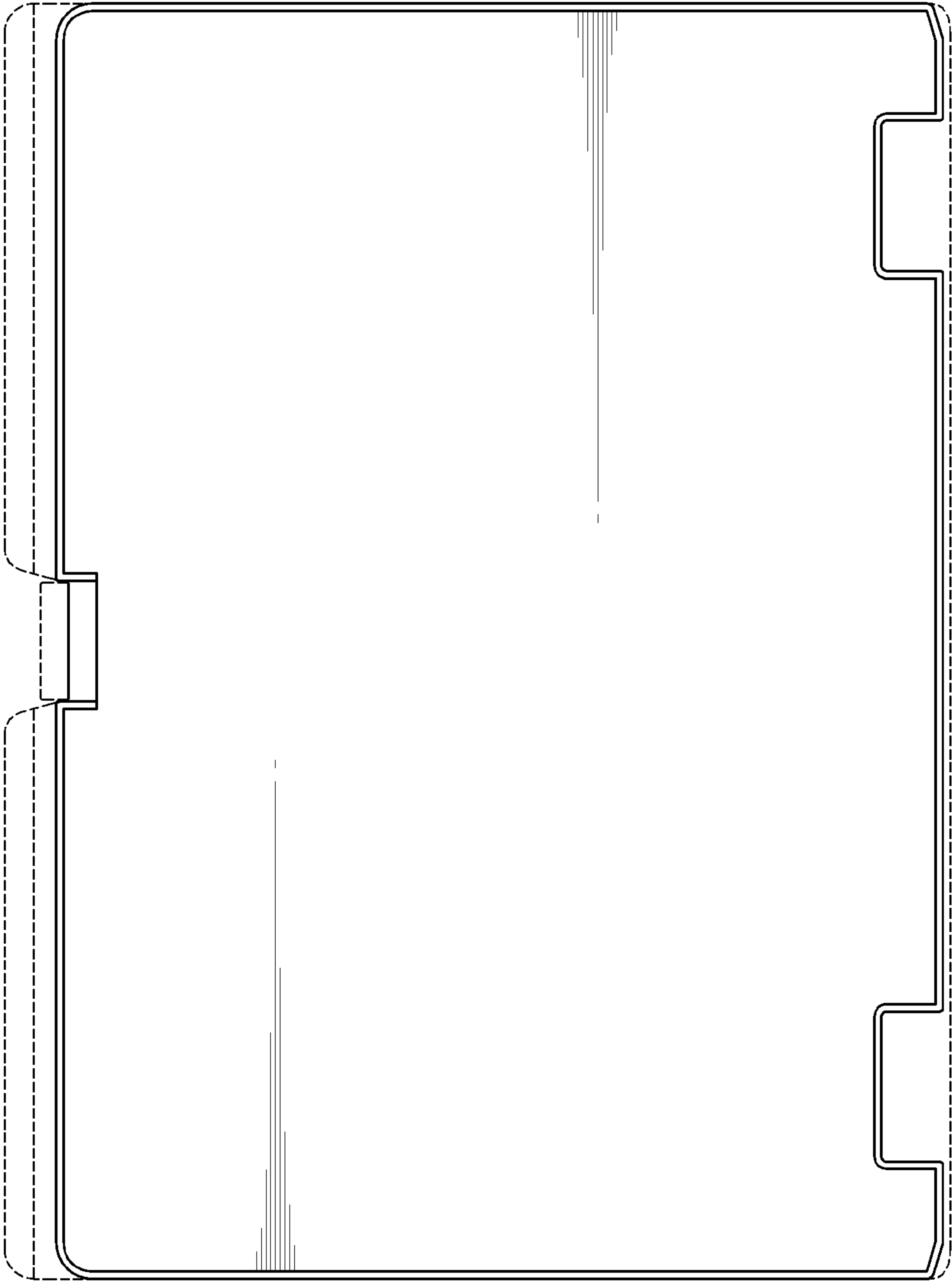


FIG.7

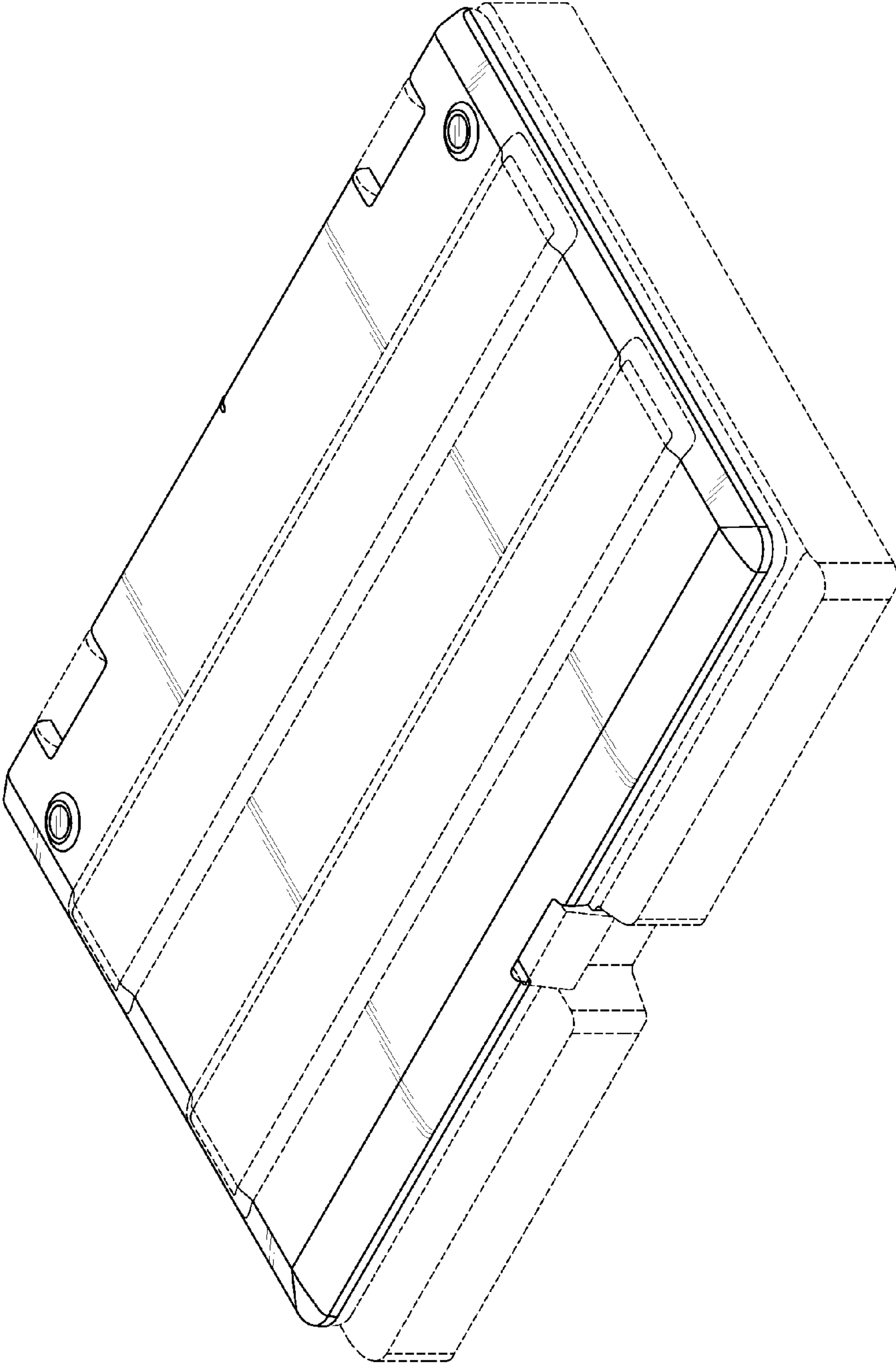


FIG.8

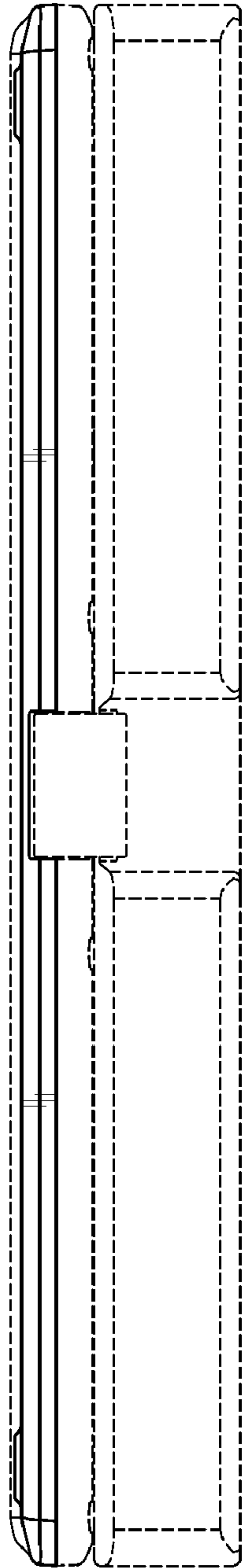


FIG. 9

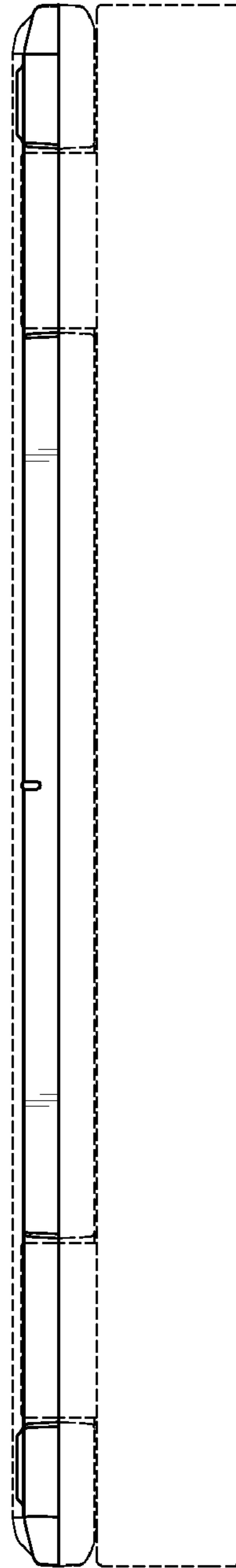


FIG. 10

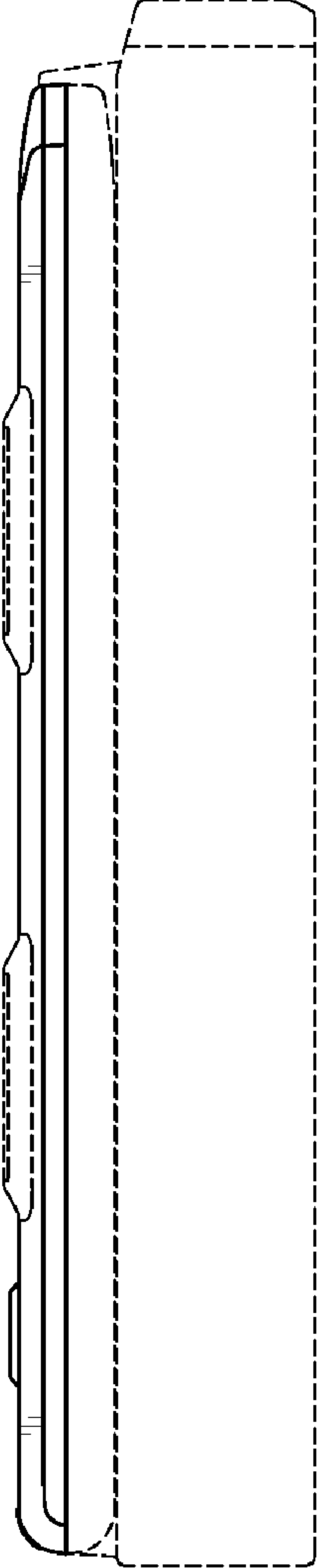


FIG. 11

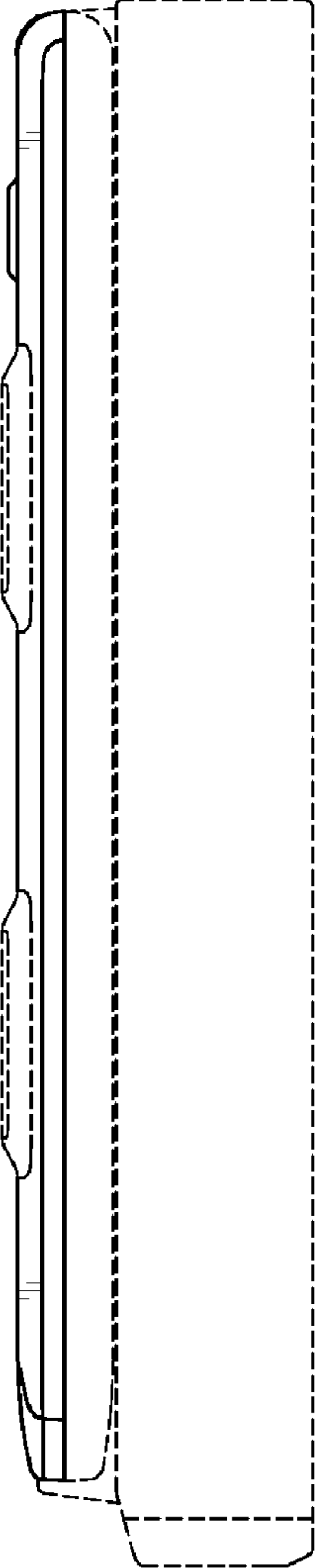


FIG. 12

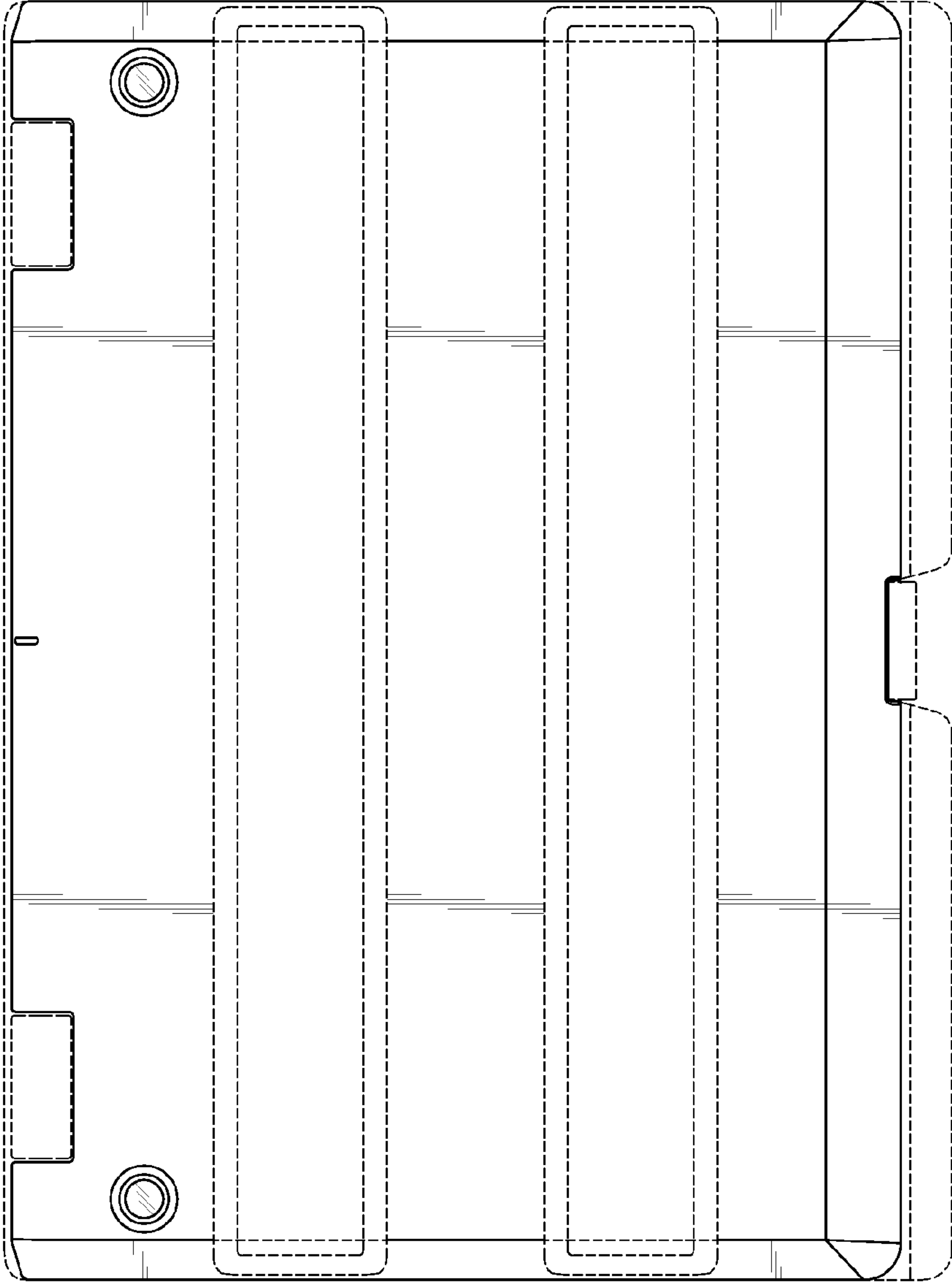


FIG.13

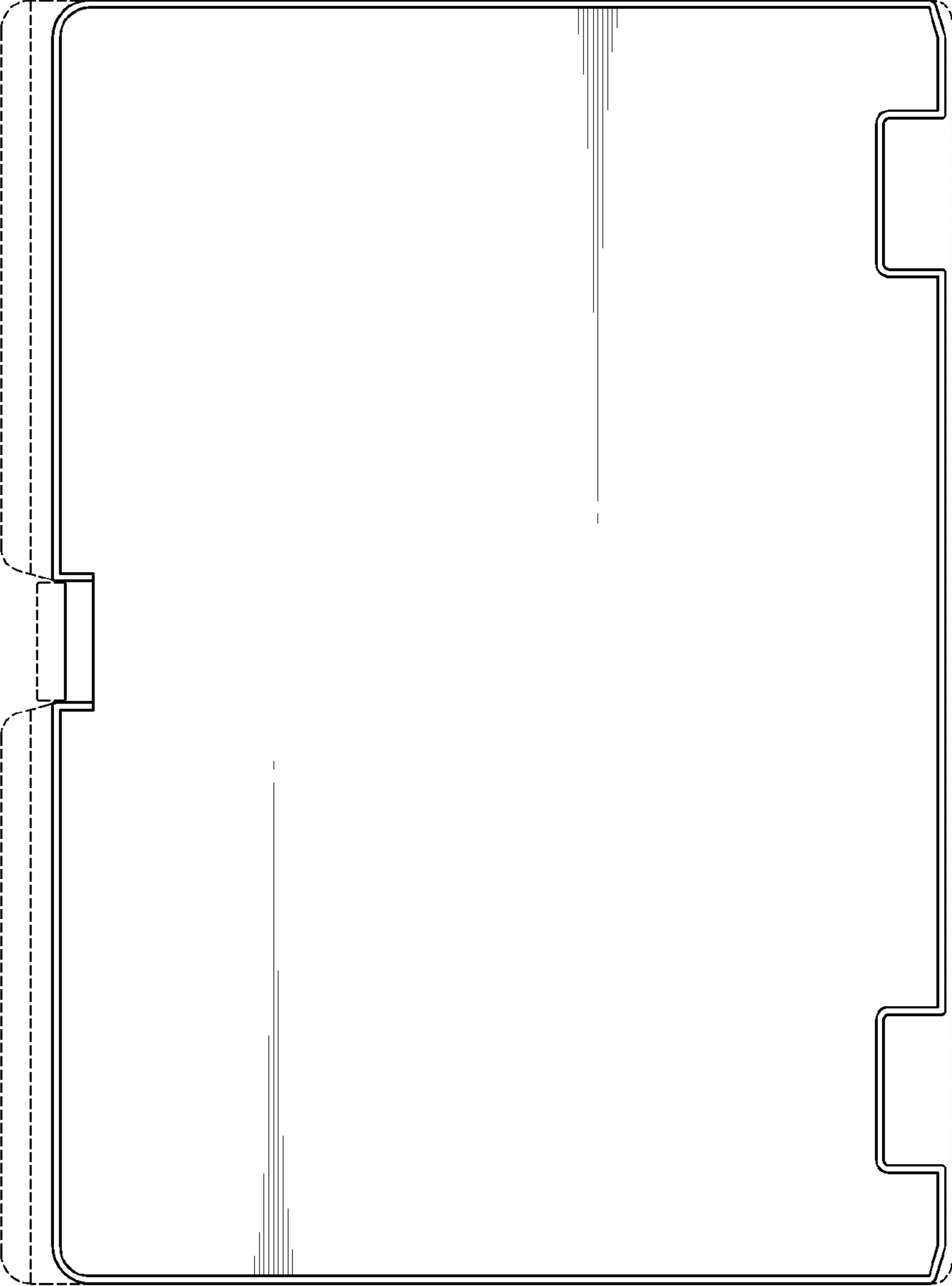


FIG.14

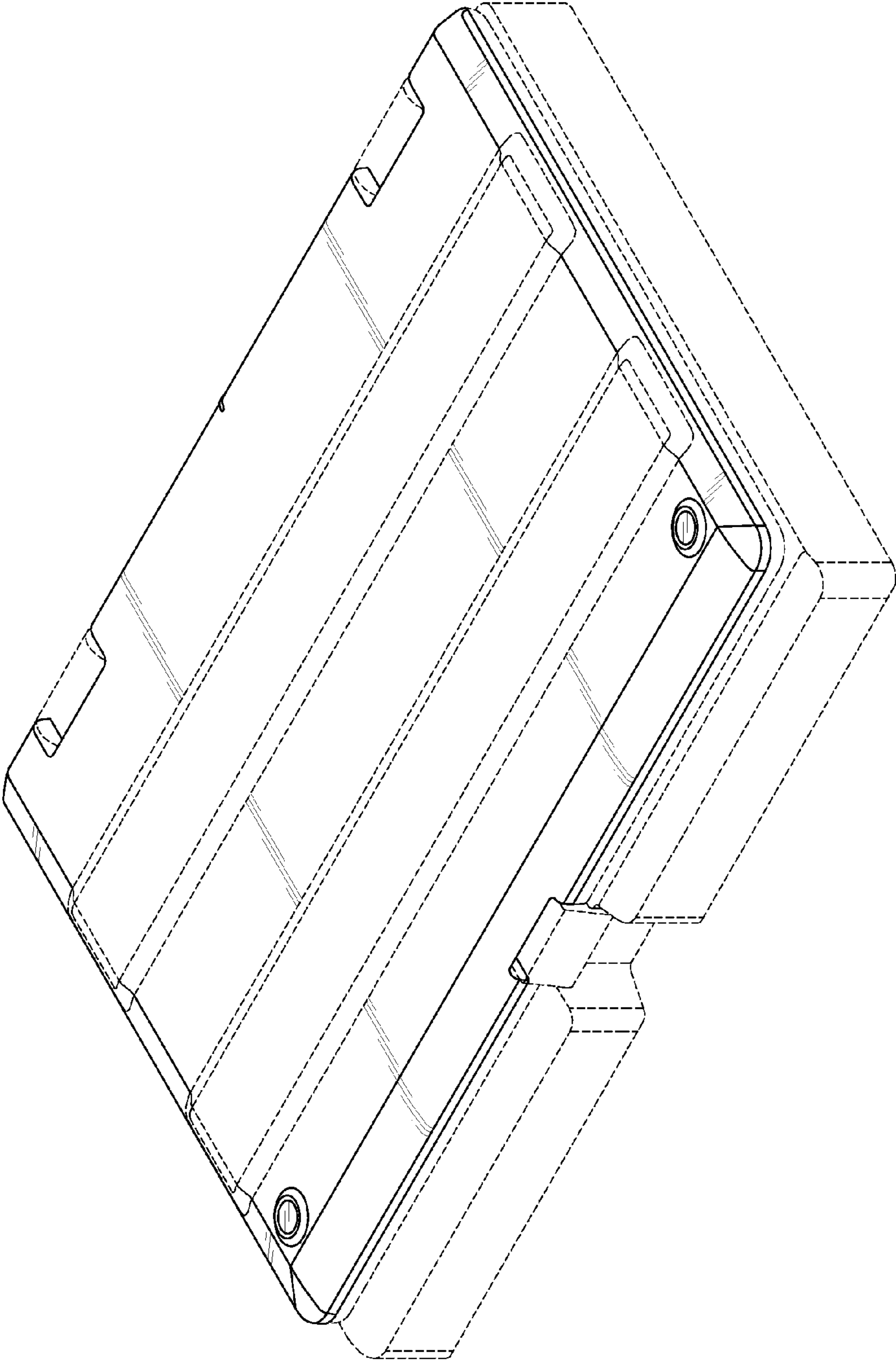


FIG.15

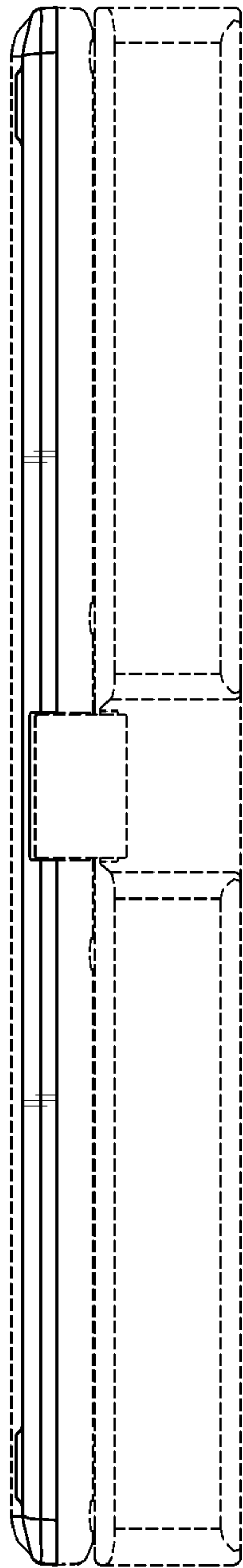


FIG.16

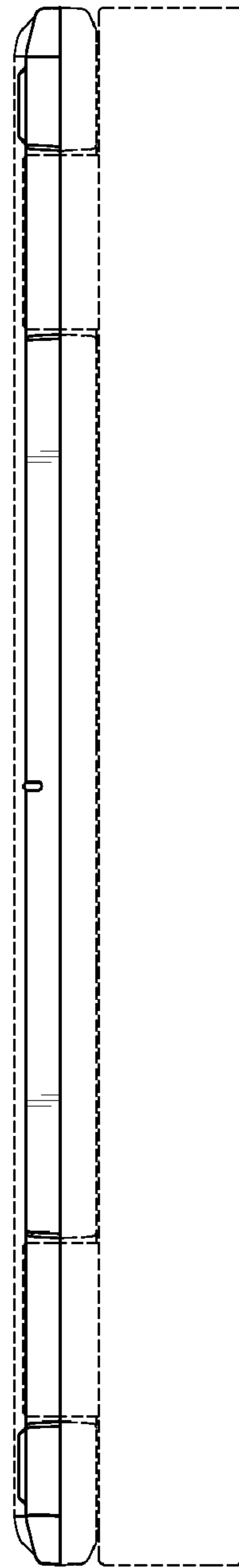


FIG.17

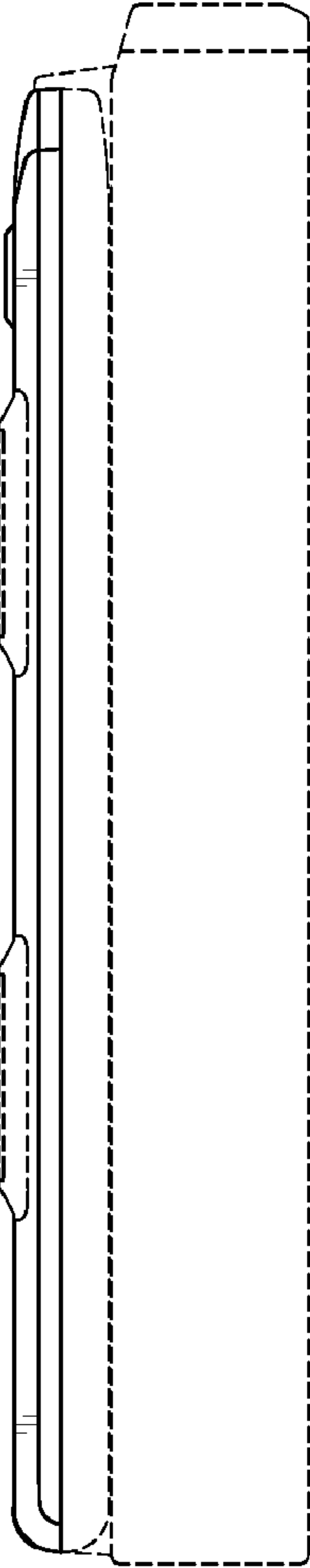


FIG. 18

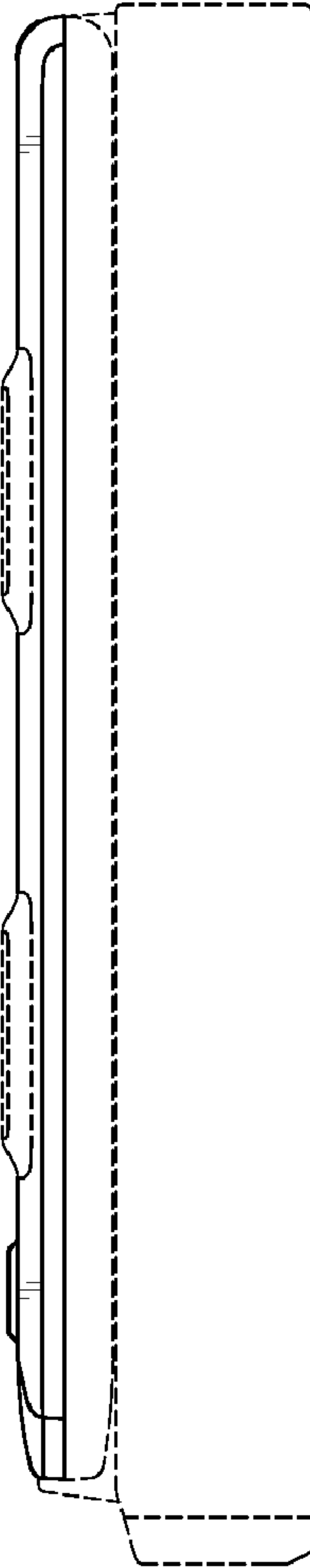


FIG. 19

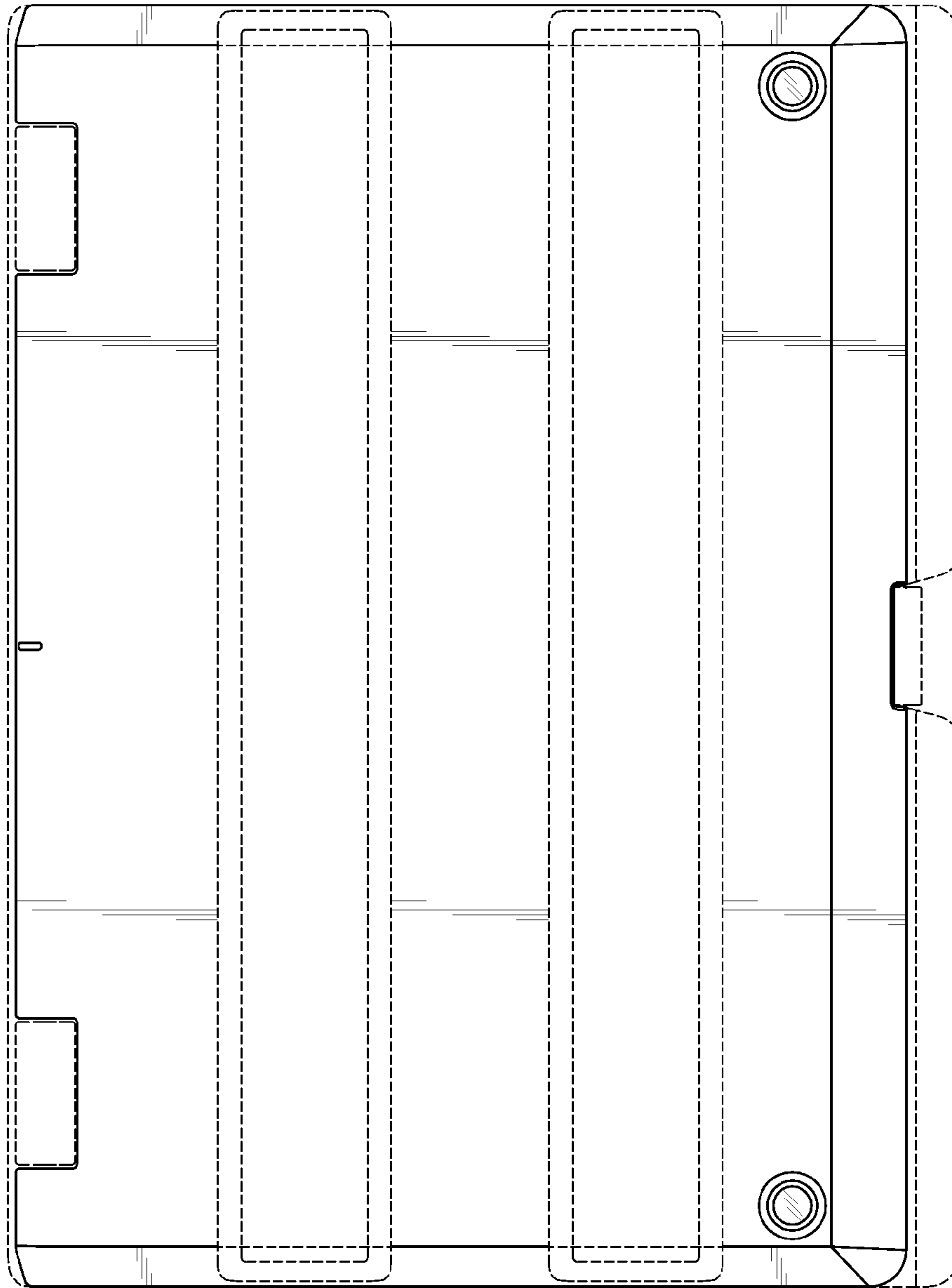


FIG.20

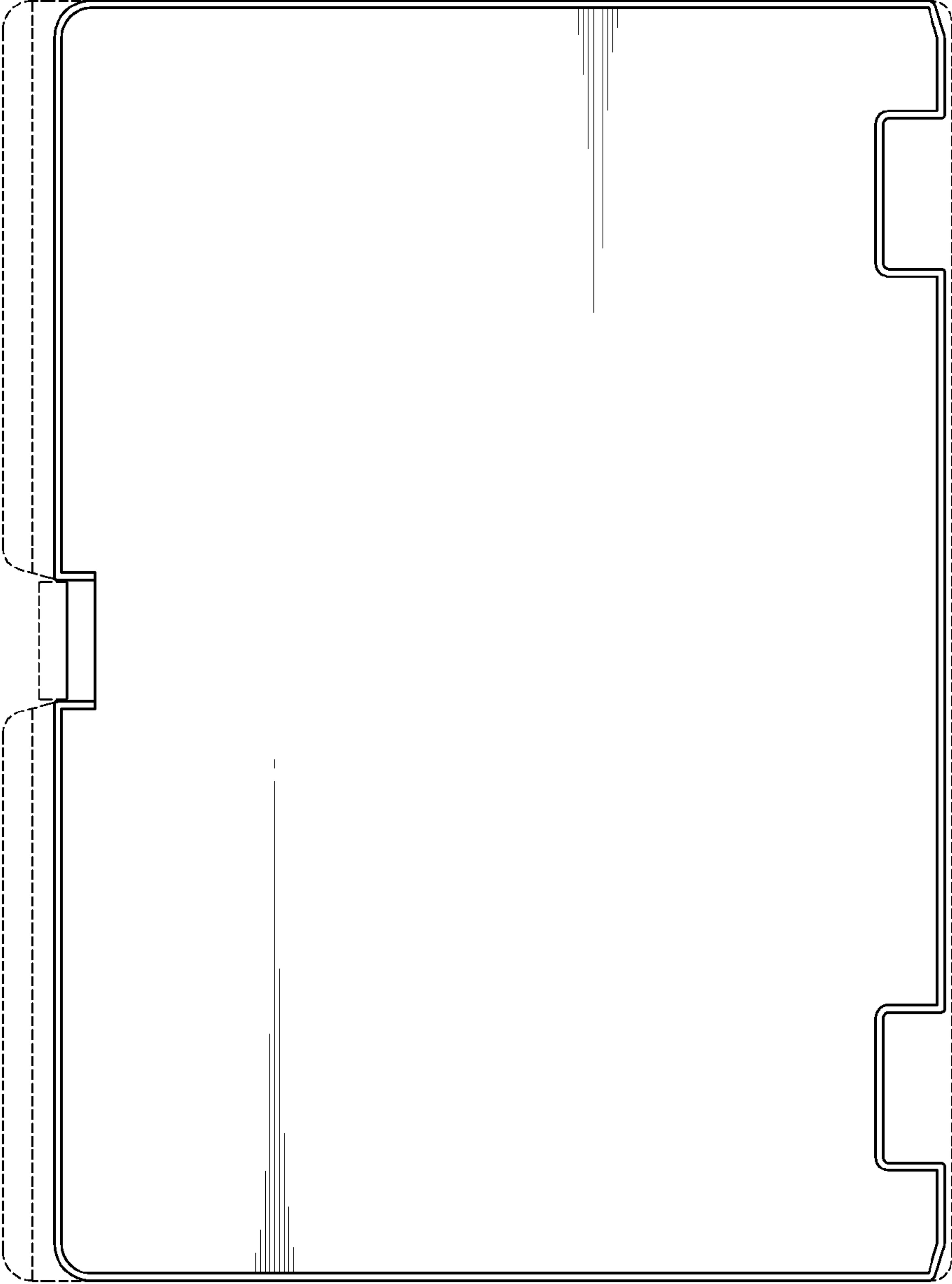


FIG.21

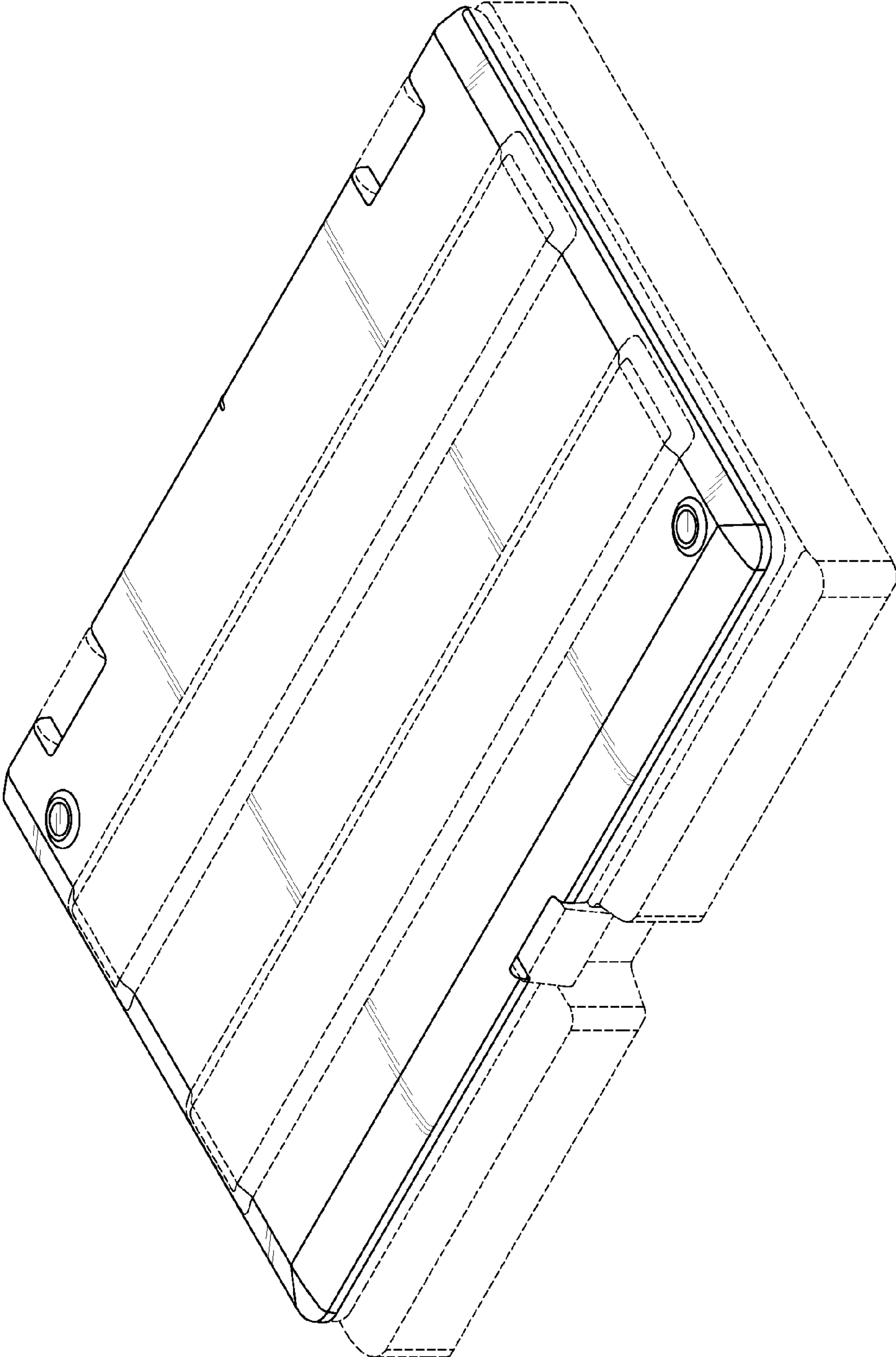


FIG.22

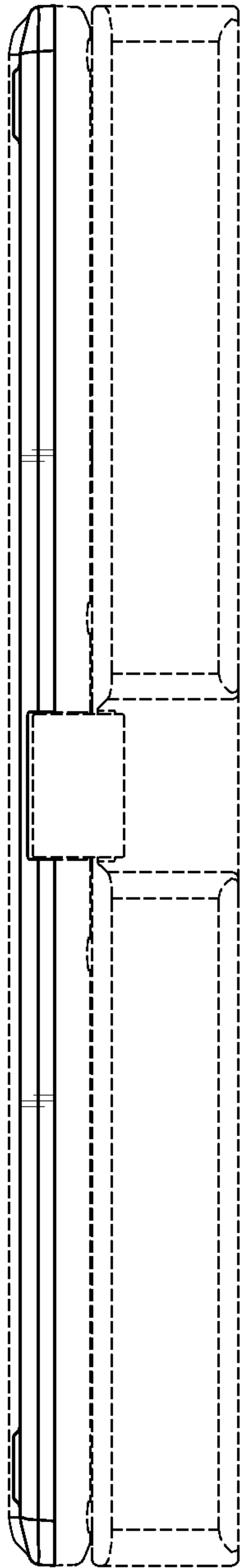


FIG. 23

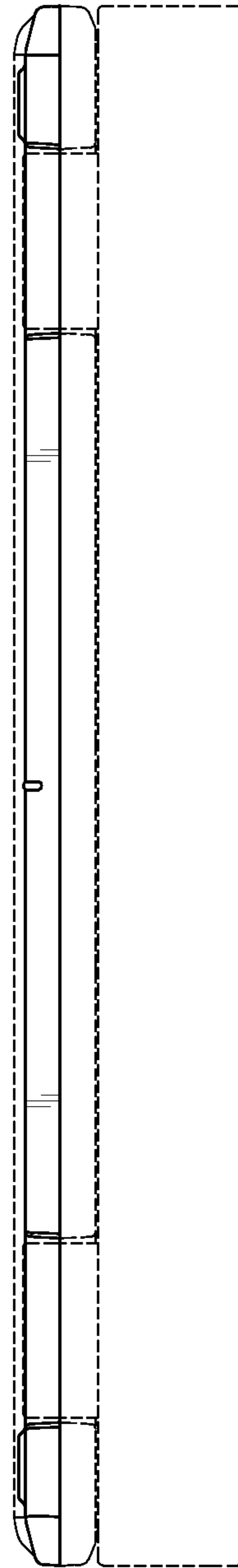


FIG. 24

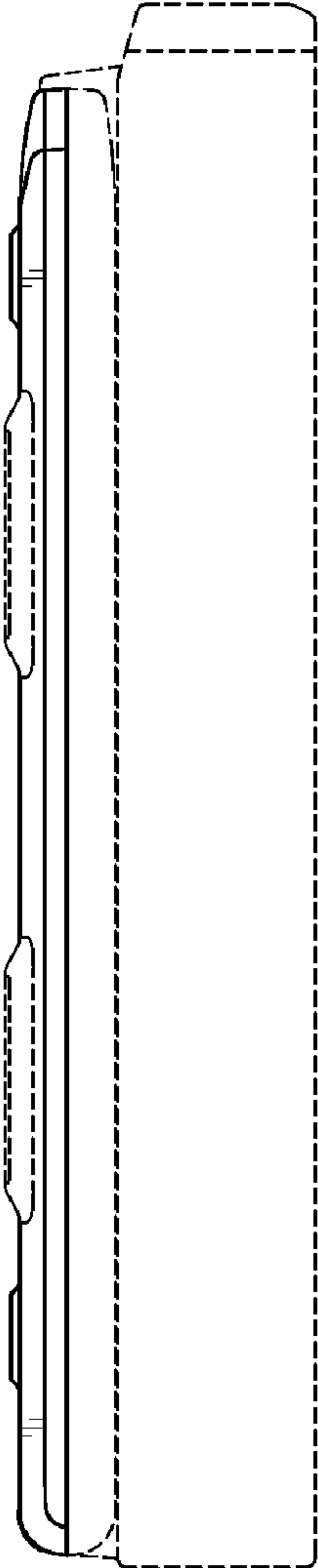


FIG. 25

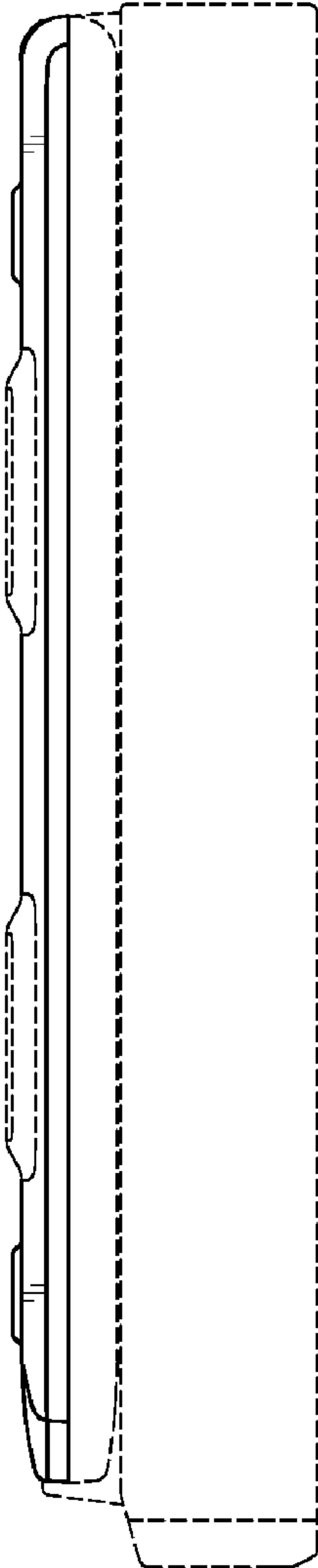


FIG. 26

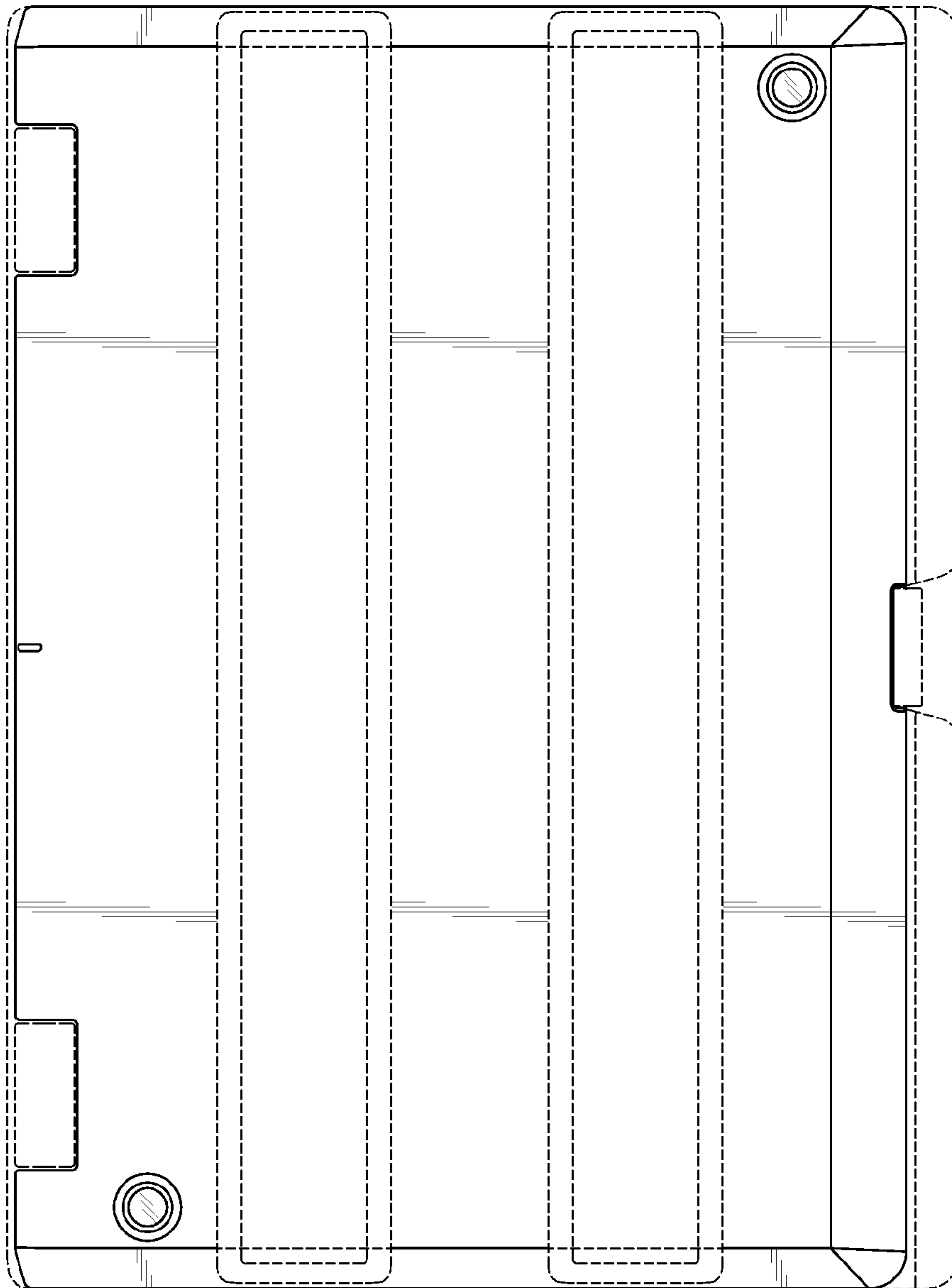


FIG.27

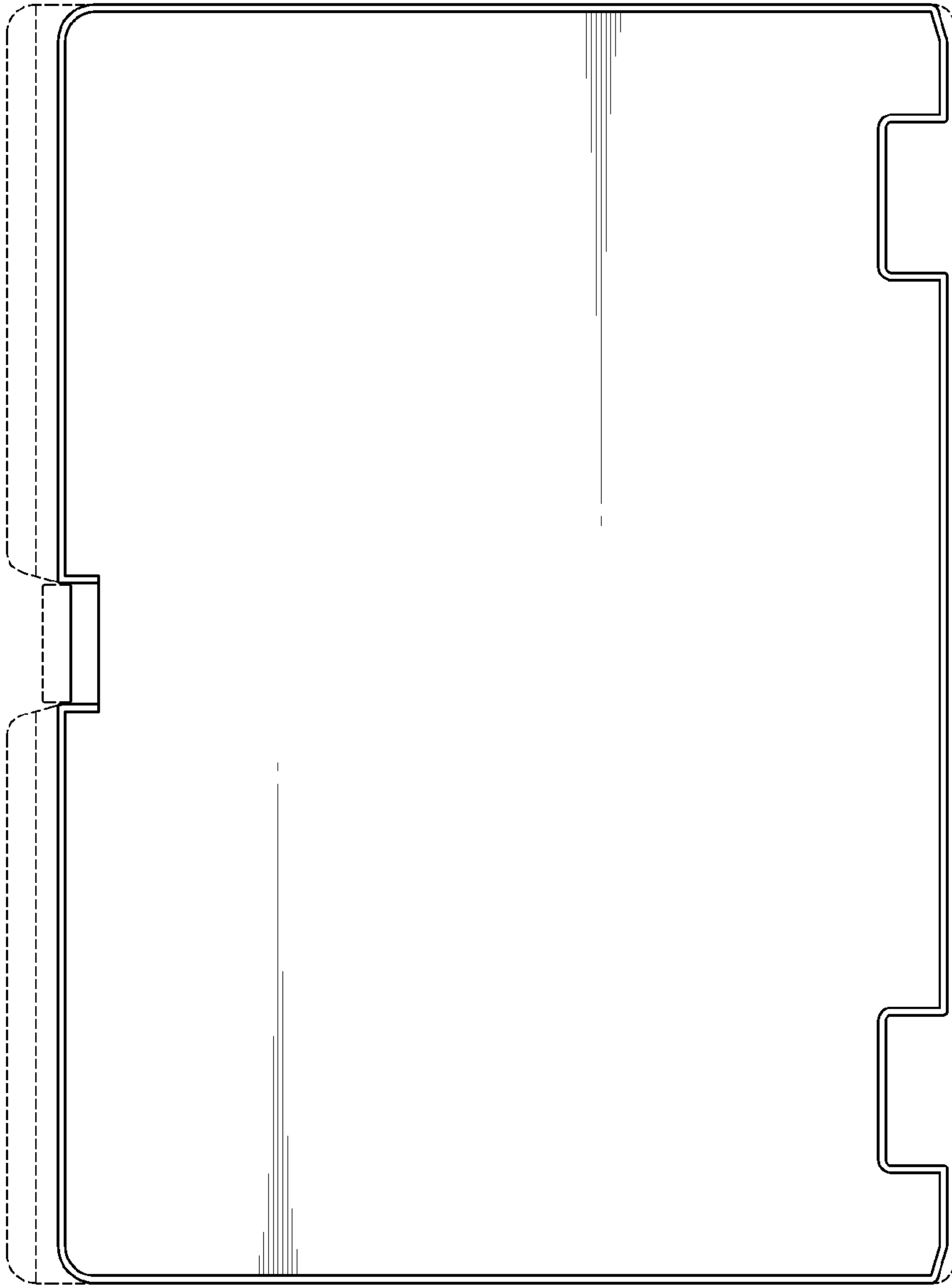


FIG.28