



US00D635134S

(12) **United States Design Patent**  
**Li et al.**

(10) **Patent No.:** **US D635,134 S**  
(45) **Date of Patent:** **\*\* Mar. 29, 2011**

(54) **LID OF NOTEBOOK COMPUTER**

**DESCRIPTION**

- (75) Inventors: **Chun-Hsing Li**, Taipei (TW);  
**Kuanpang Chen**, Taipei (TW)
- (73) Assignee: **Getac Technology Corporation**,  
Hsinchu (TW)
- (\*\*) Term: **14 Years**
- (21) Appl. No.: **29/377,743**
- (22) Filed: **Oct. 25, 2010**

**Related U.S. Application Data**

- (63) Continuation-in-part of application No. 29/363,043,  
filed on Jun. 3, 2010, now Pat. No. Des. 628,196, and  
a continuation-in-part of application No. 29/363,045,  
filed on Jun. 3, 2010, now Pat. No. Des. 627,775, and  
a continuation-in-part of application No. 29/363,047,  
filed on Jun. 3, 2010, now Pat. No. Des. 628,197.
- (51) **LOC (9) Cl.** ..... **14-02**
- (52) **U.S. Cl.** ..... **D14/315**
- (58) **Field of Classification Search** ..... D14/315–328,  
D14/341–345, 441, 444, 445; D18/1, 2,  
D18/7, 11; 400/486, 489; 345/102, 104,  
345/156, 163, 168; 341/22, 23; 361/679.08,  
361/679.09, 679.26, 679.27  
See application file for complete search history.

(56) **References Cited**

**U.S. PATENT DOCUMENTS**

D346,368 S *	4/1994	Miyashita et al.	.....	D14/327
D456,398 S *	4/2002	Horiki	.....	D14/328
D558,754 S *	1/2008	Takemasa et al.	.....	D14/328
D566,111 S *	4/2008	Nakagawa	.....	D14/315
D572,709 S *	7/2008	Nakagawa et al.	.....	D14/315

\* cited by examiner

*Primary Examiner* — Freda S Nunn

(57) **CLAIM**

The ornamental design for a lid of notebook computer, as shown and described.

FIG. 1 is a perspective view showing a first embodiment of my new design, in which a narrow horizontal bar on the lid of the notebook computer is arranged between two wider horizontal bars;

FIG. 2 is a front elevational view of the first embodiment of my new design;

FIG. 3 is a rear elevational view of the first embodiment of my new design;

FIG. 4 is a left side elevational view of the first embodiment of my new design;

FIG. 5 is a right side elevational view of the first embodiment of my new design;

FIG. 6 is a top plan view of the first embodiment of my new design;

FIG. 7 is a bottom plan view of the first embodiment of my new design;

FIG. 8 is a perspective view showing a second embodiment of my new design, in which two narrow horizontal bars on the lid of the notebook computer are arranged outside two wider horizontal bars;

FIG. 9 is a front elevational view of the second embodiment of my new design;

FIG. 10 is a rear elevational view of the second embodiment of my new design;

FIG. 11 is a left side elevational view of the second embodiment of my new design;

FIG. 12 is a right side elevational view of the second embodiment of my new design;

FIG. 13 is a top plan view of the second embodiment of my new design;

FIG. 14 is a bottom plan view of the second embodiment of my new design;

FIG. 15 is a perspective view showing a third embodiment of my new design, in which narrow horizontal bars on the lid of the notebook computer are arranged between and outside two wider horizontal bars;

FIG. 16 is a front elevational view of the third embodiment of my new design;

FIG. 17 is a rear elevational view of the third embodiment of my new design;

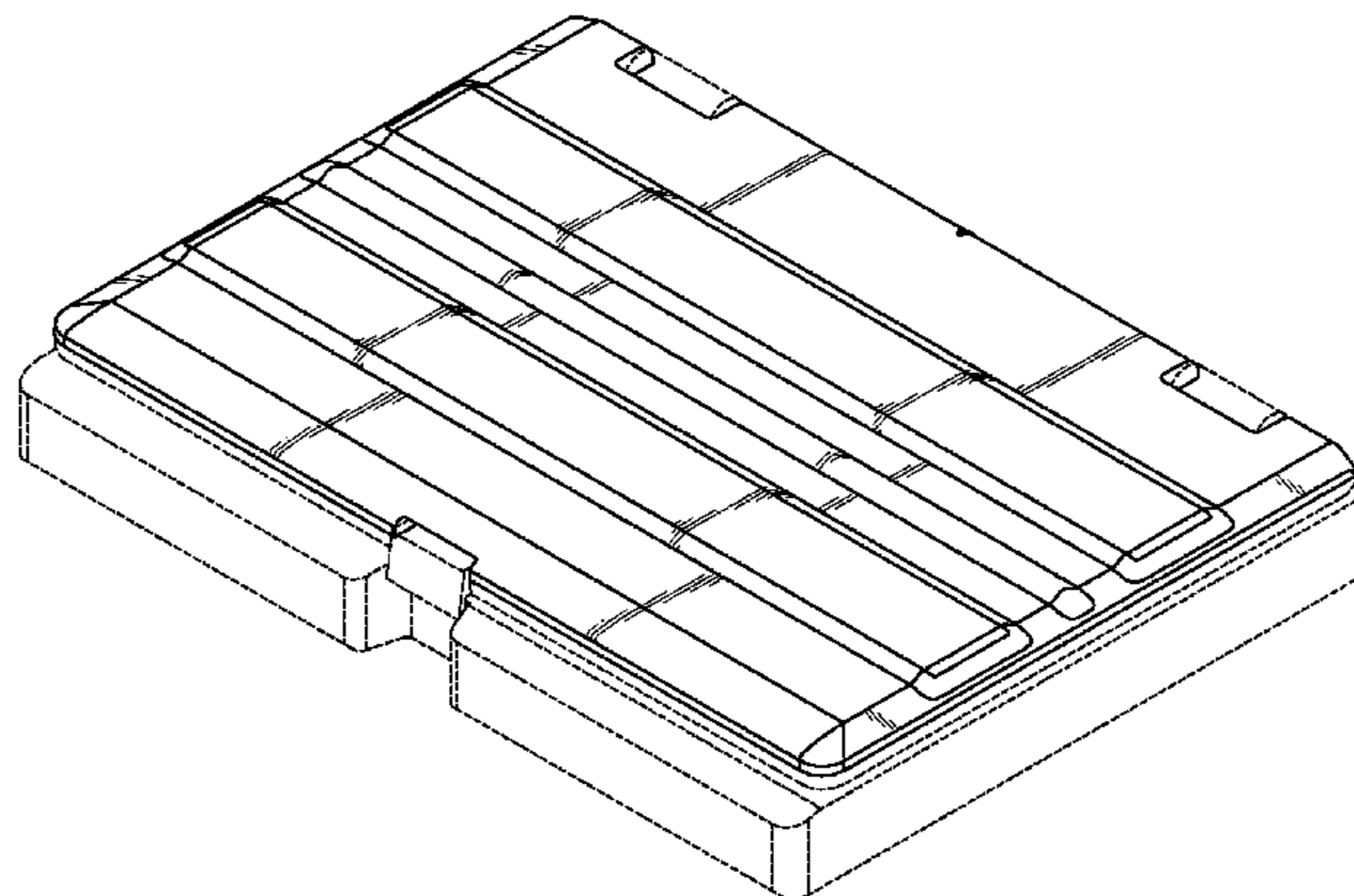


FIG. **18** is a left side elevational view of the third embodiment of my new design;

FIG. **19** is a right side elevational view of the third embodiment of my new design;

FIG. **20** is a top plan view of the third embodiment of my new design;

FIG. **21** is a bottom plan view of the third embodiment of my new design;

FIG. **22** is a perspective view showing a fourth embodiment of my new design, in which wide horizontal bars on the lid of the notebook computer are arranged between and outside two narrower horizontal bars;

FIG. **23** is a front elevational view of the fourth embodiment of my new design;

FIG. **24** is a rear elevational view of the fourth embodiment of my new design;

FIG. **25** is a left side elevational view of the fourth embodiment of my new design;

FIG. **26** is a right side elevational view of the fourth embodiment of my new design;

FIG. **27** is a top plan view of the fourth embodiment of my new design; and,

FIG. **28** is a bottom plan view of the fourth embodiment of my new design.

The broken lines which illustrate the environmental structure of the claimed design form no part thereof.

**1 Claim, 20 Drawing Sheets**

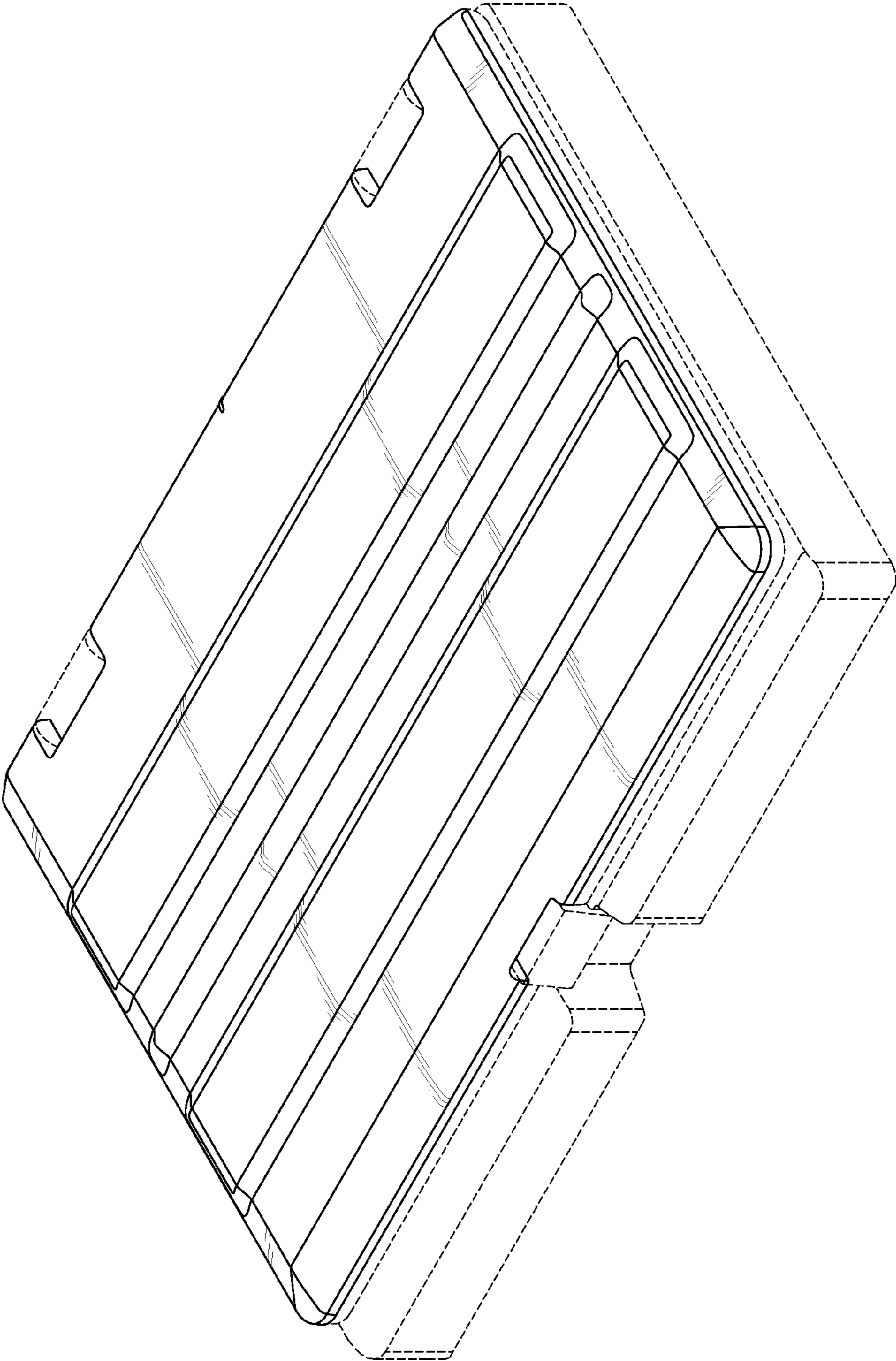


FIG.1

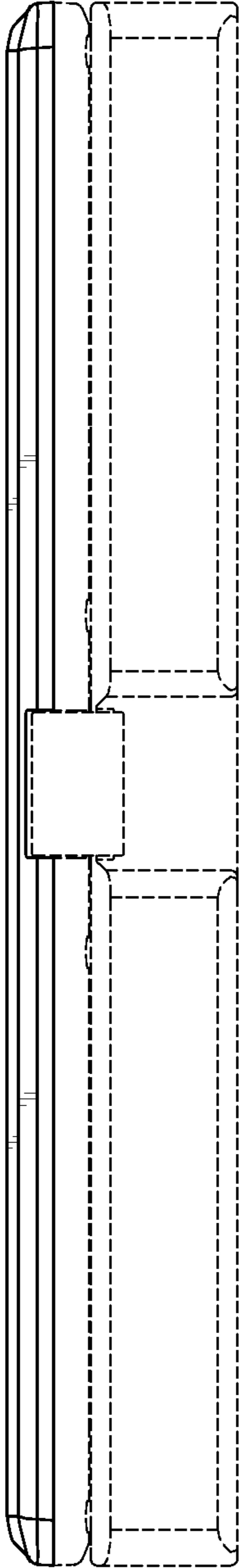


FIG. 2

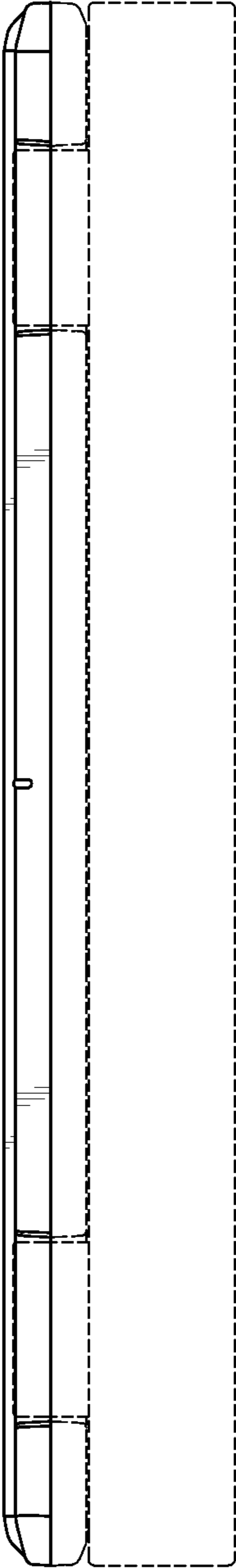


FIG. 3

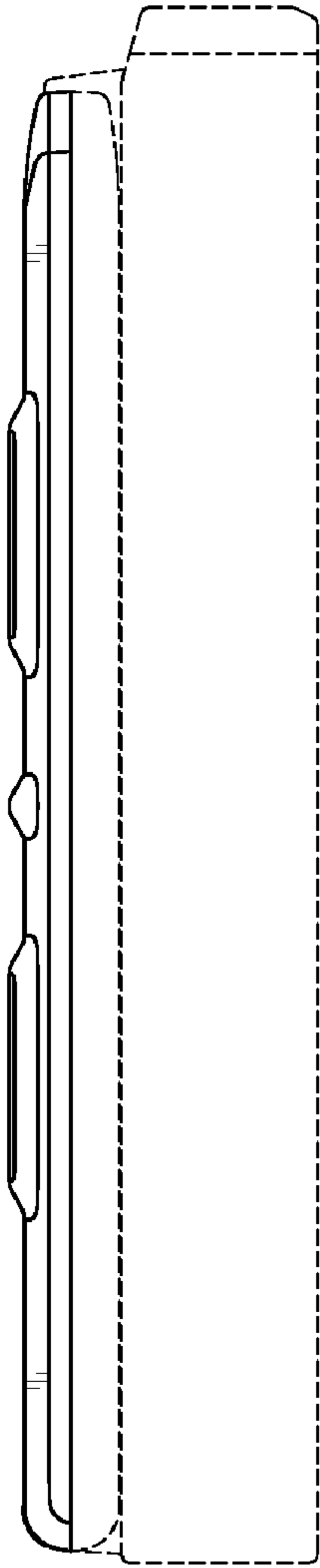


FIG. 4

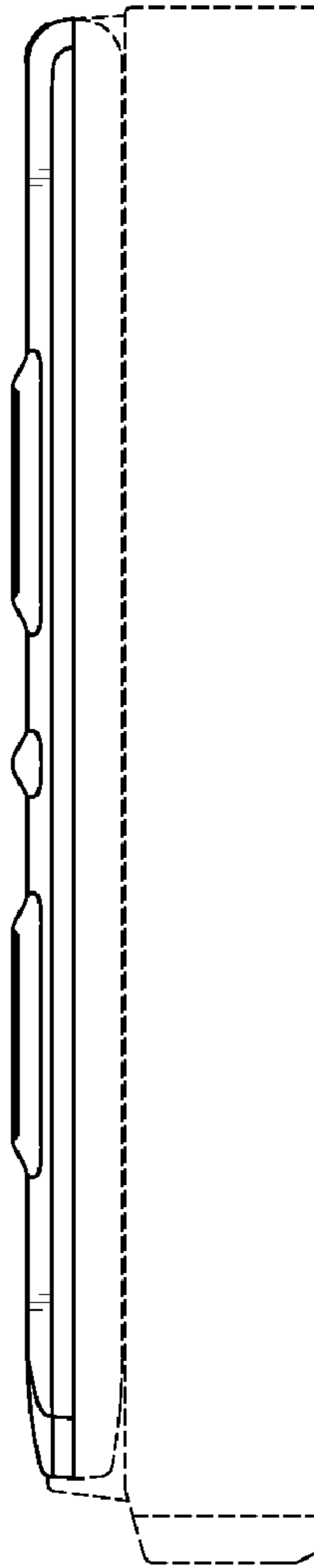


FIG. 5

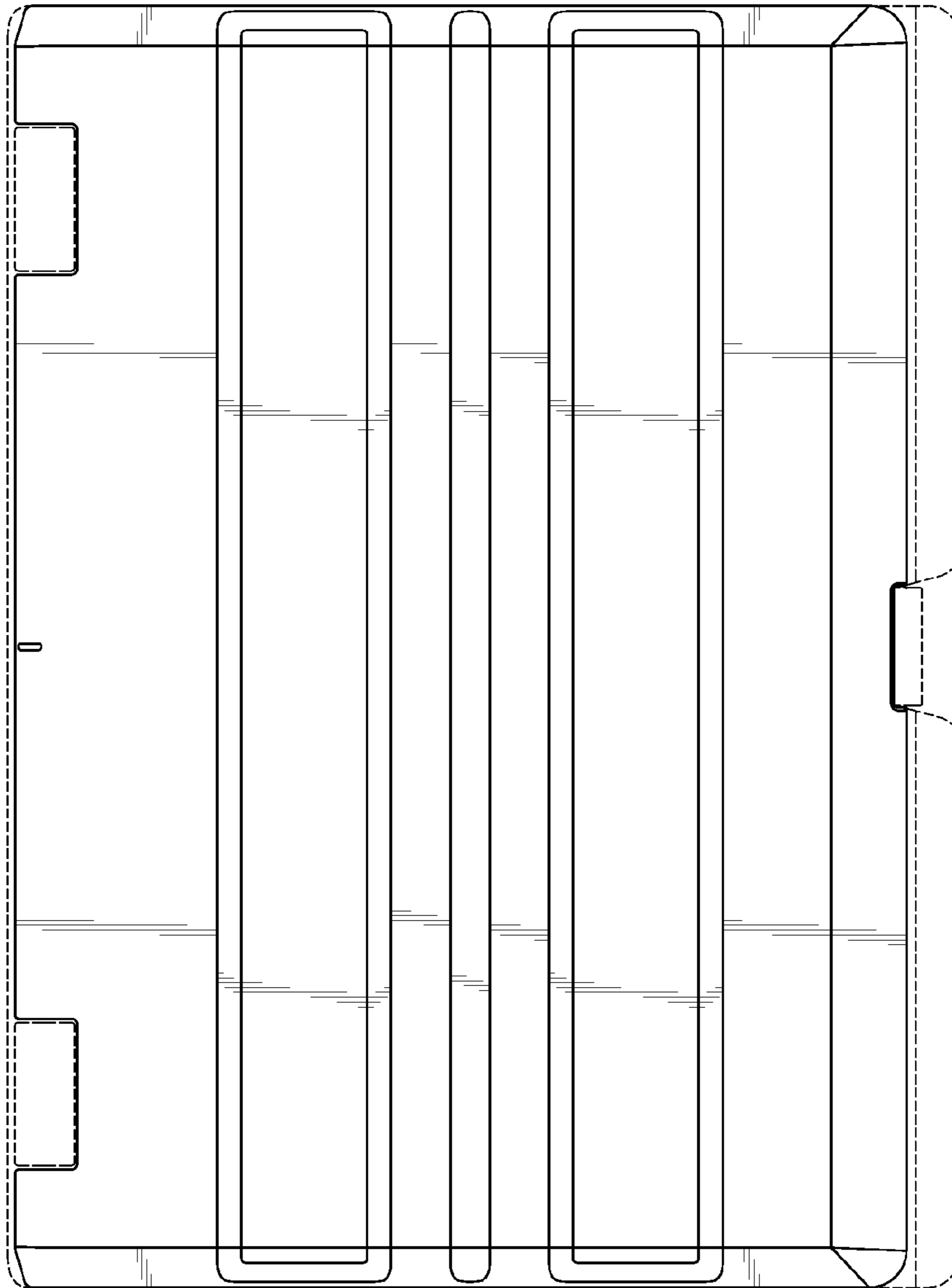


FIG.6

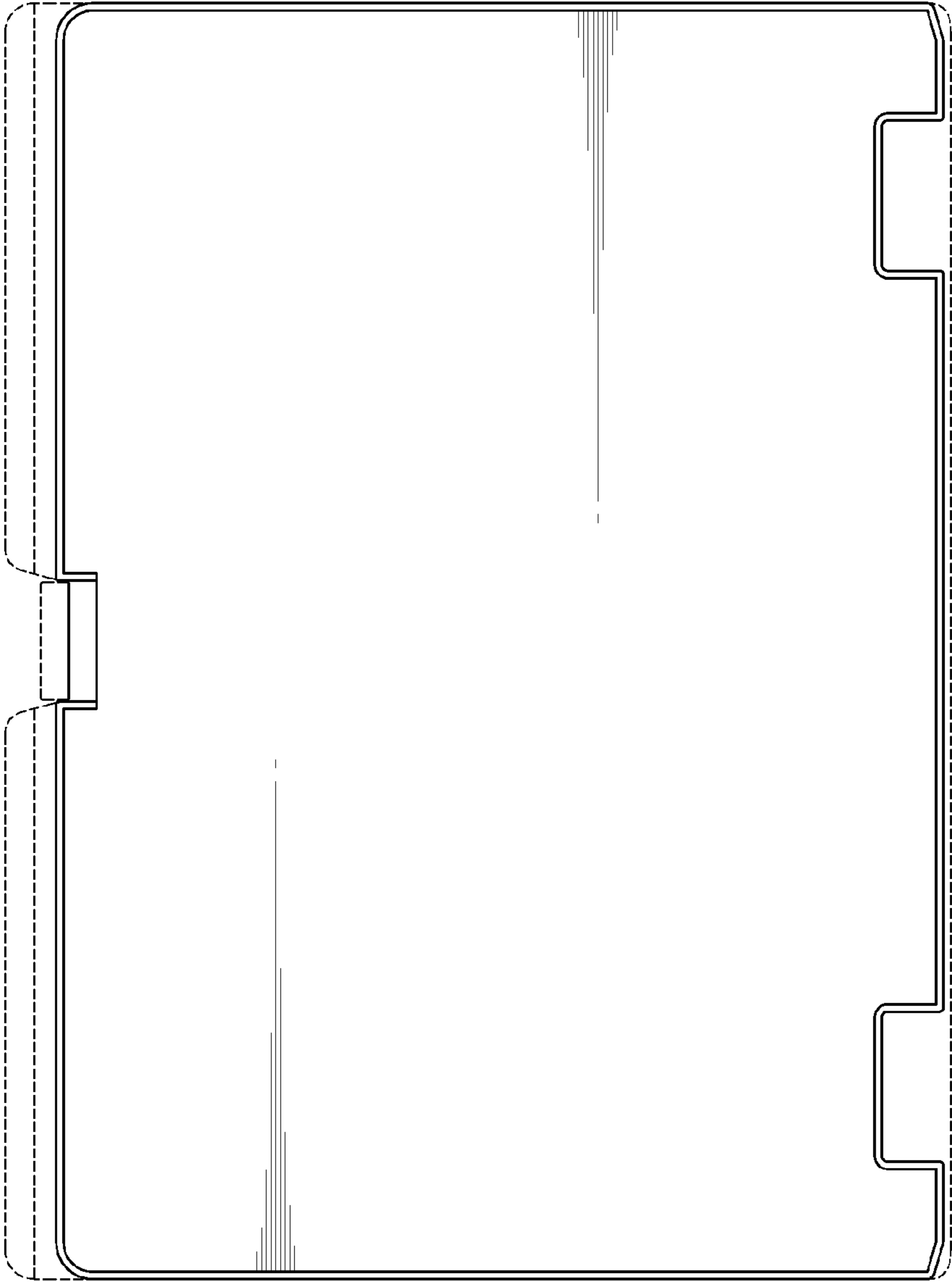


FIG.7

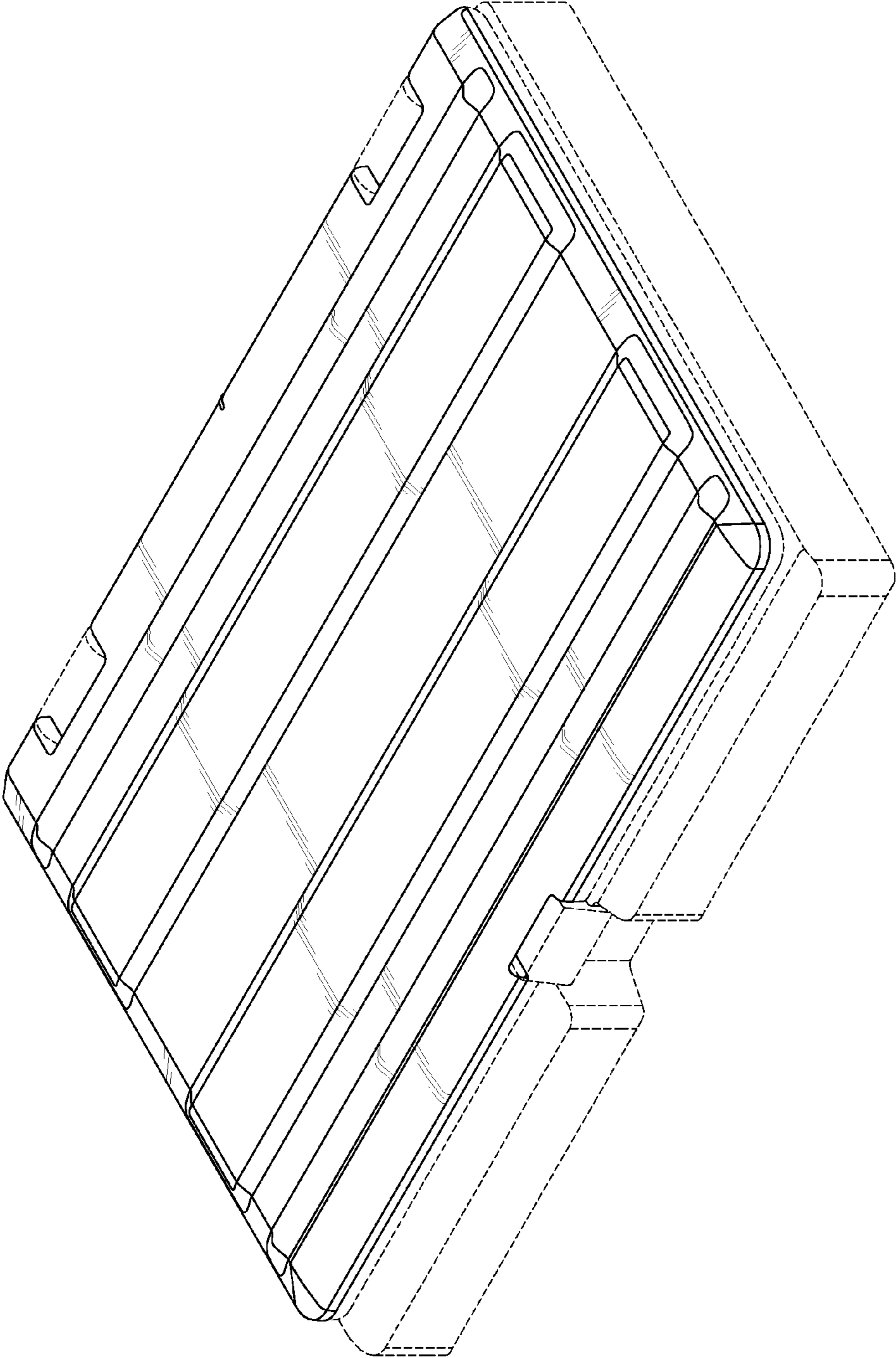


FIG.8



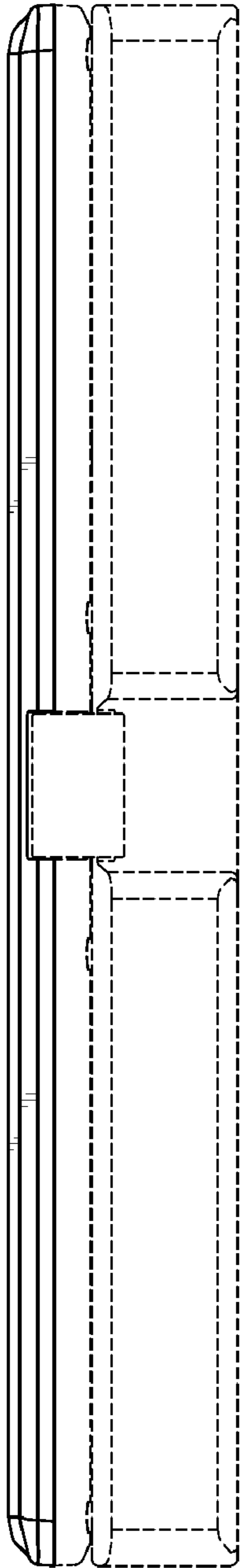


FIG. 9

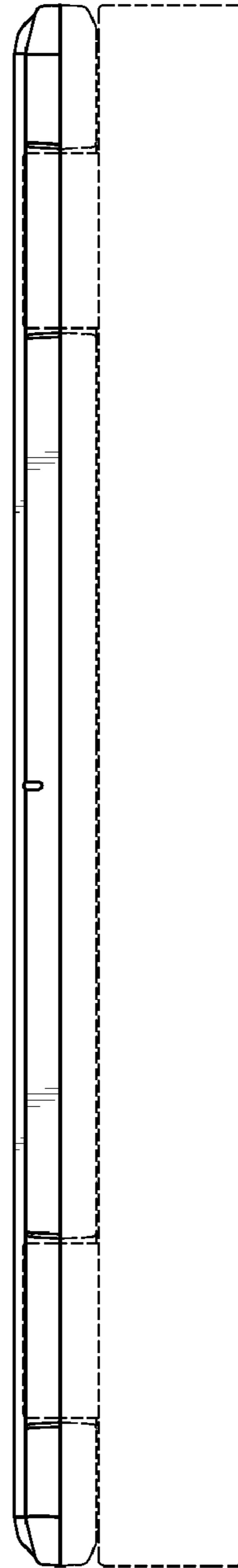


FIG. 10

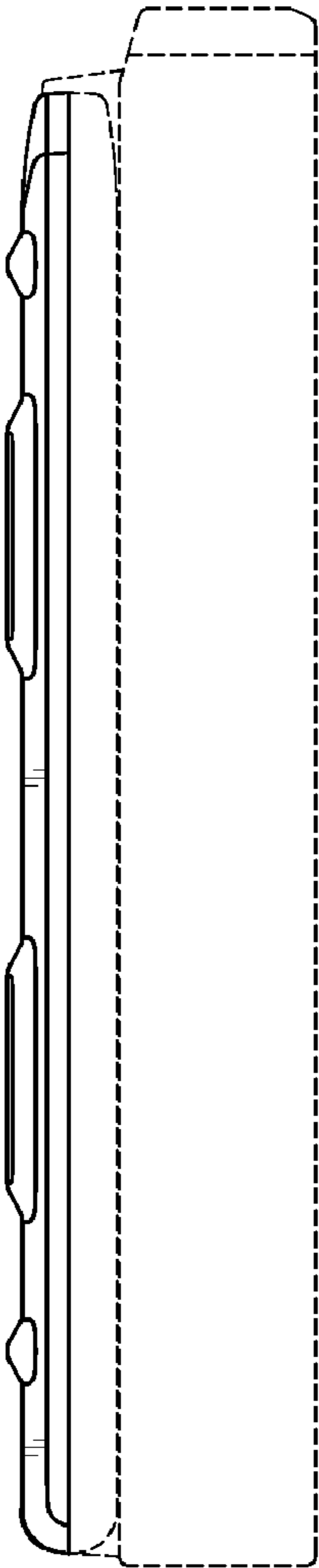


FIG. 11

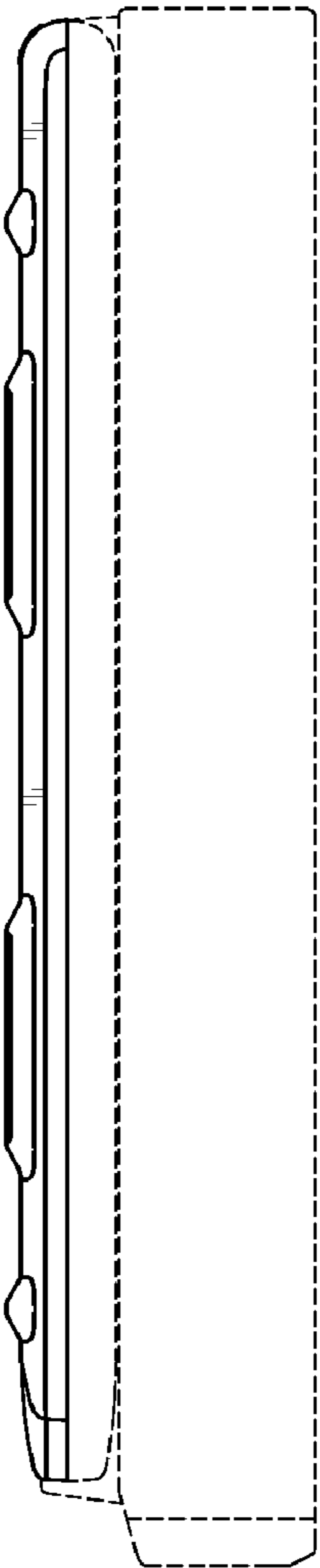


FIG. 12

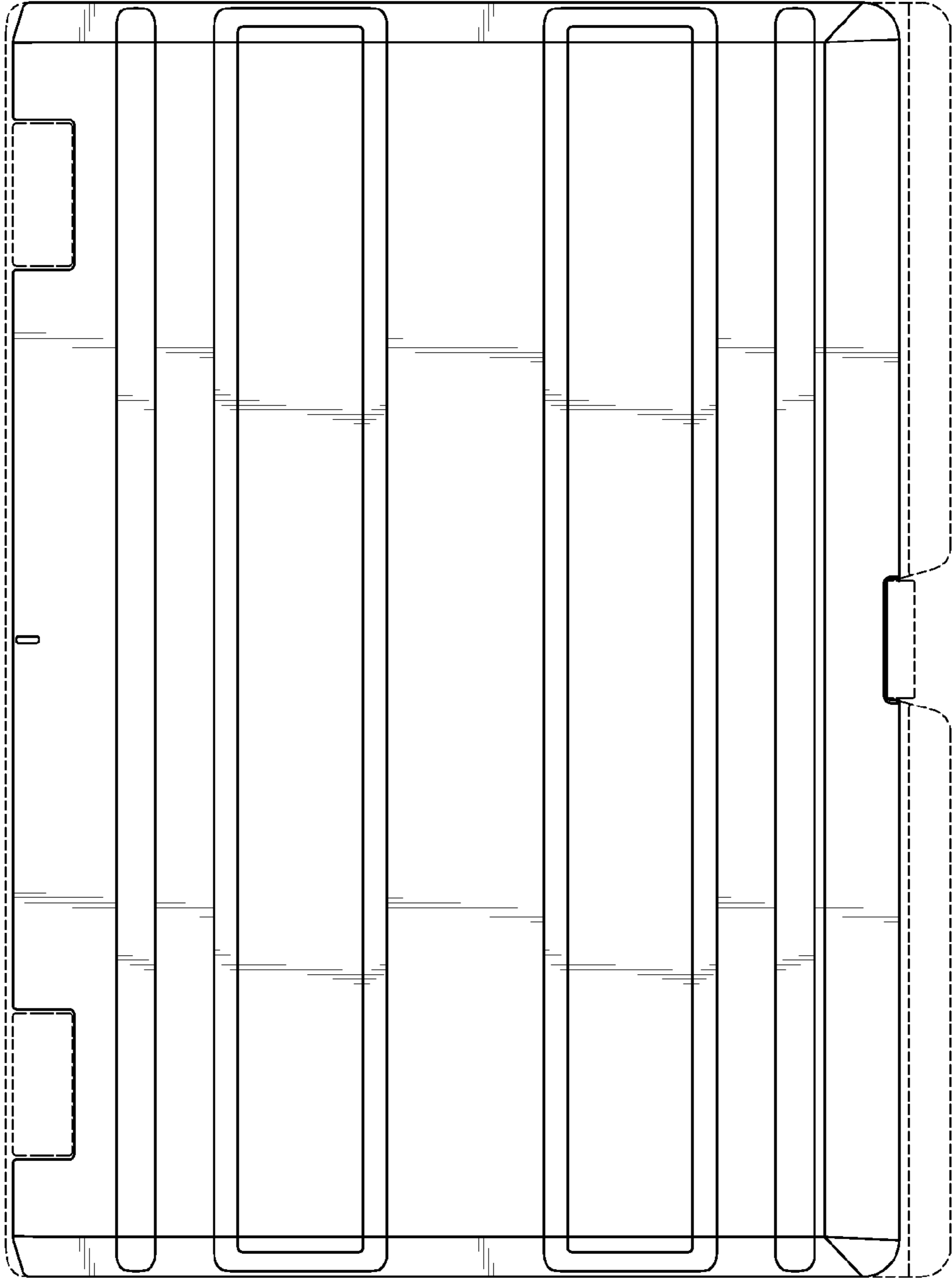


FIG.13

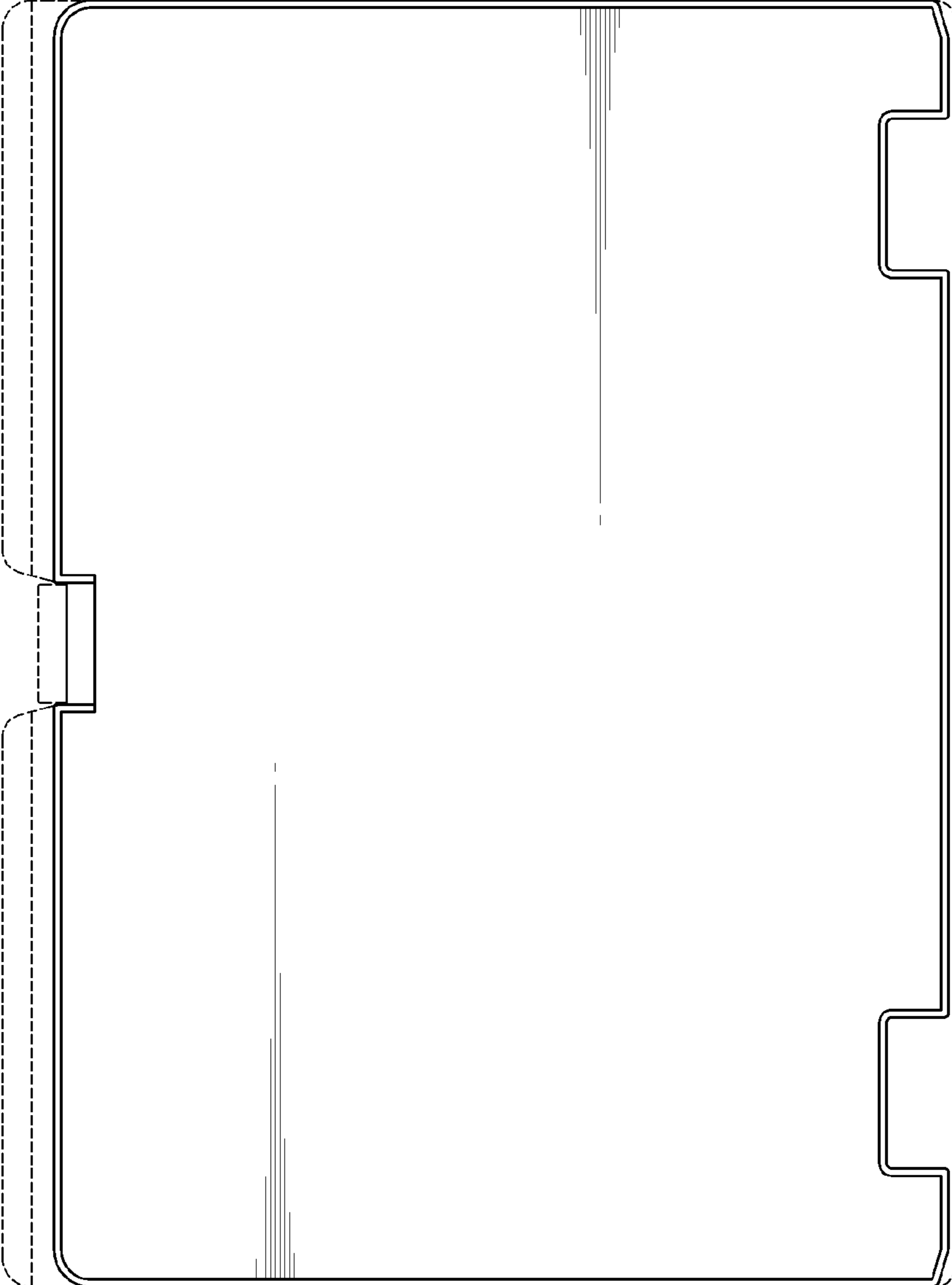


FIG.14

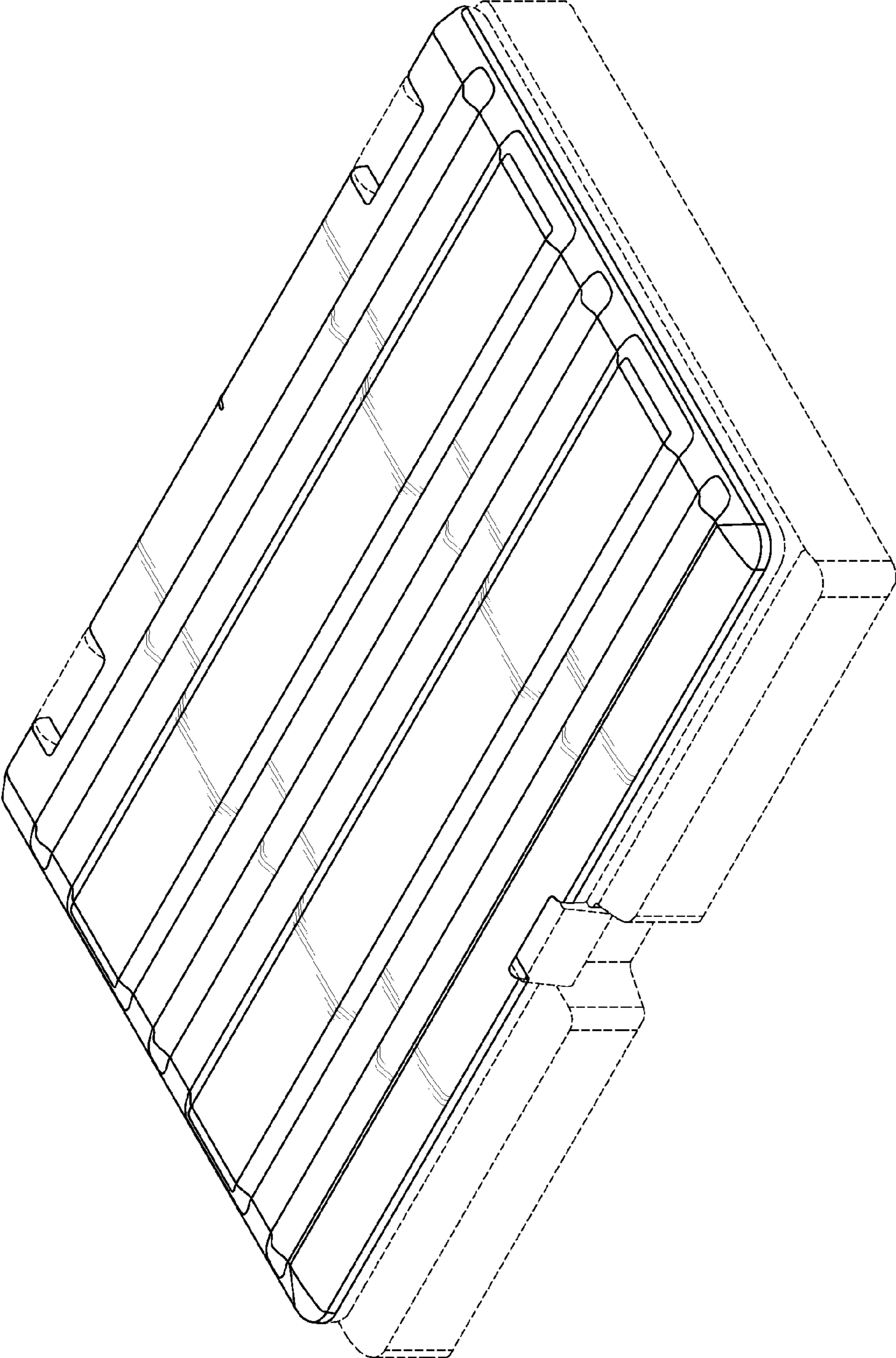


FIG.15

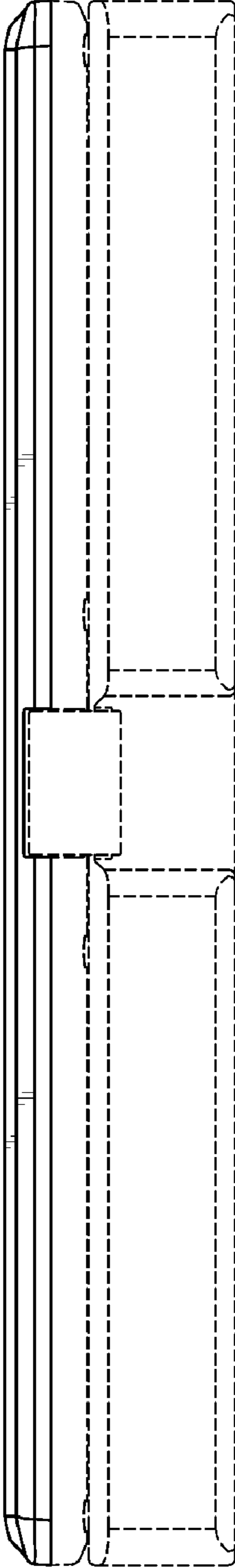


FIG. 16

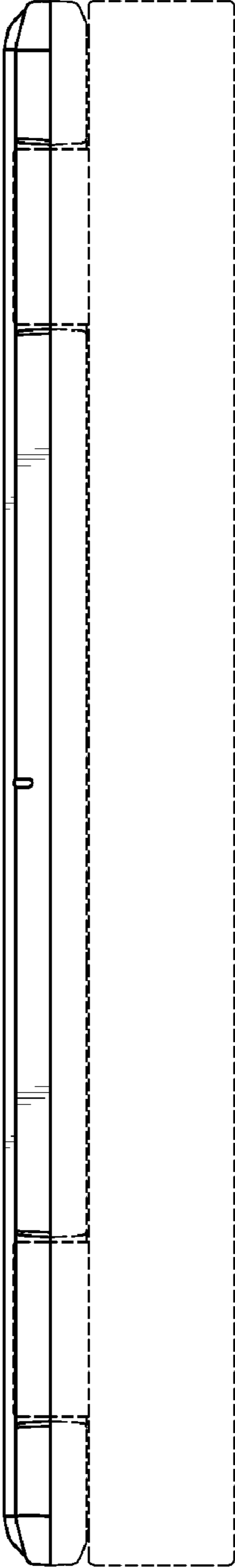


FIG. 17

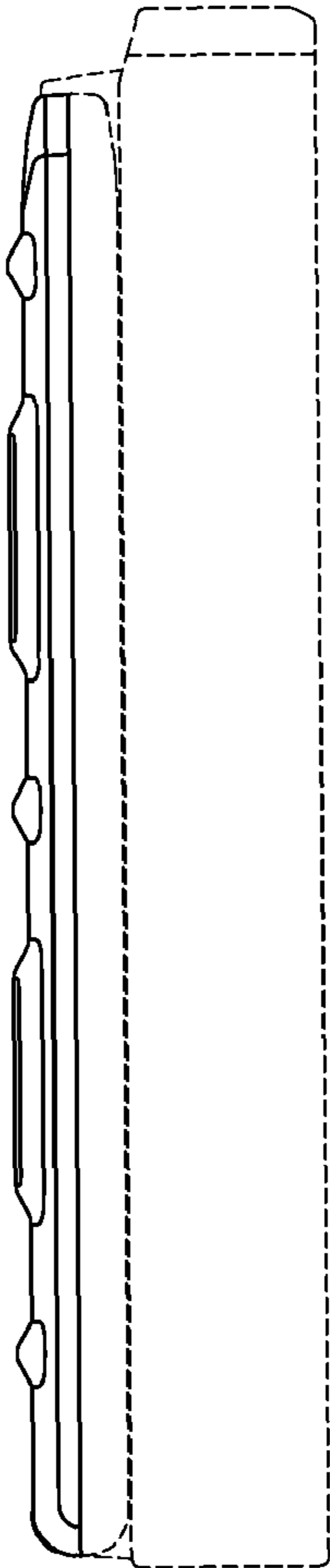


FIG. 18

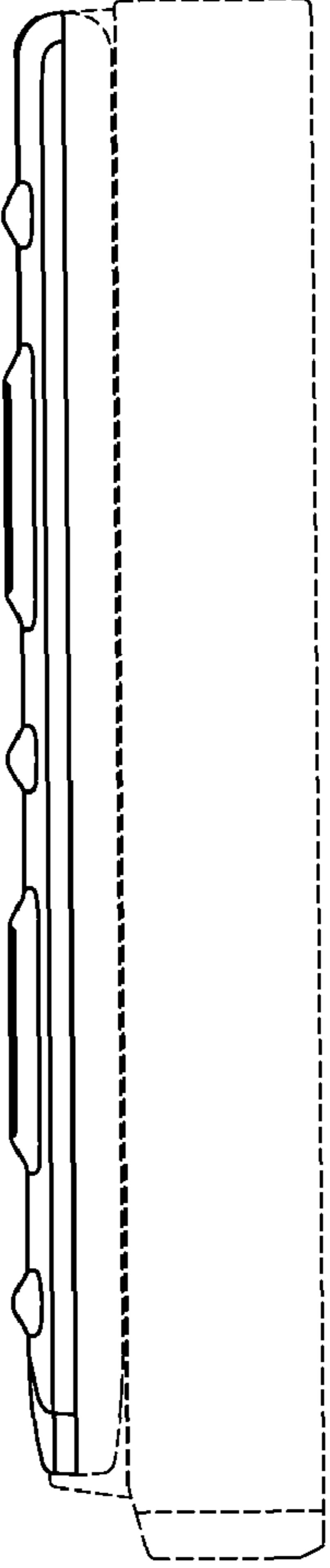


FIG. 19

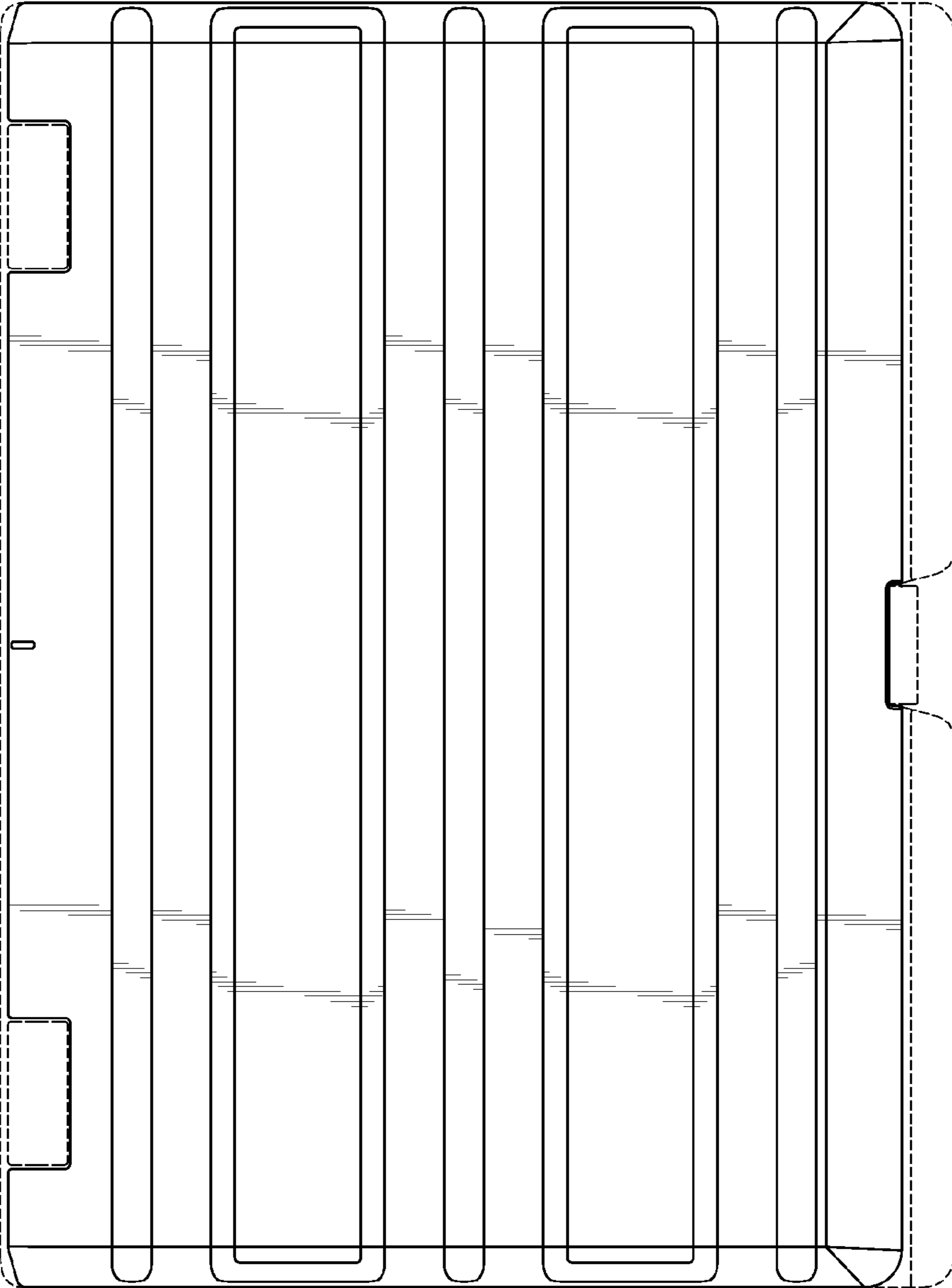


FIG.20



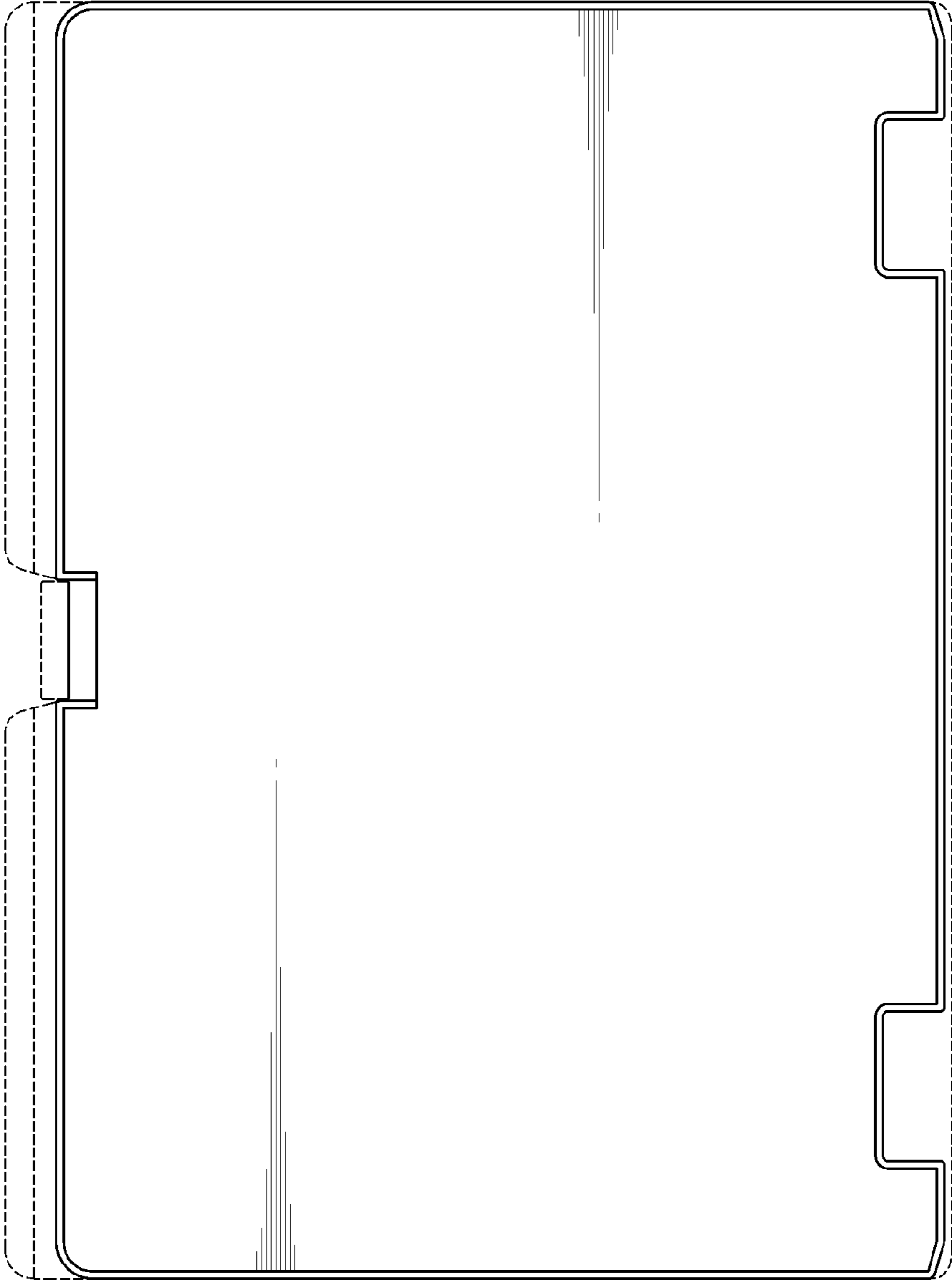


FIG.21

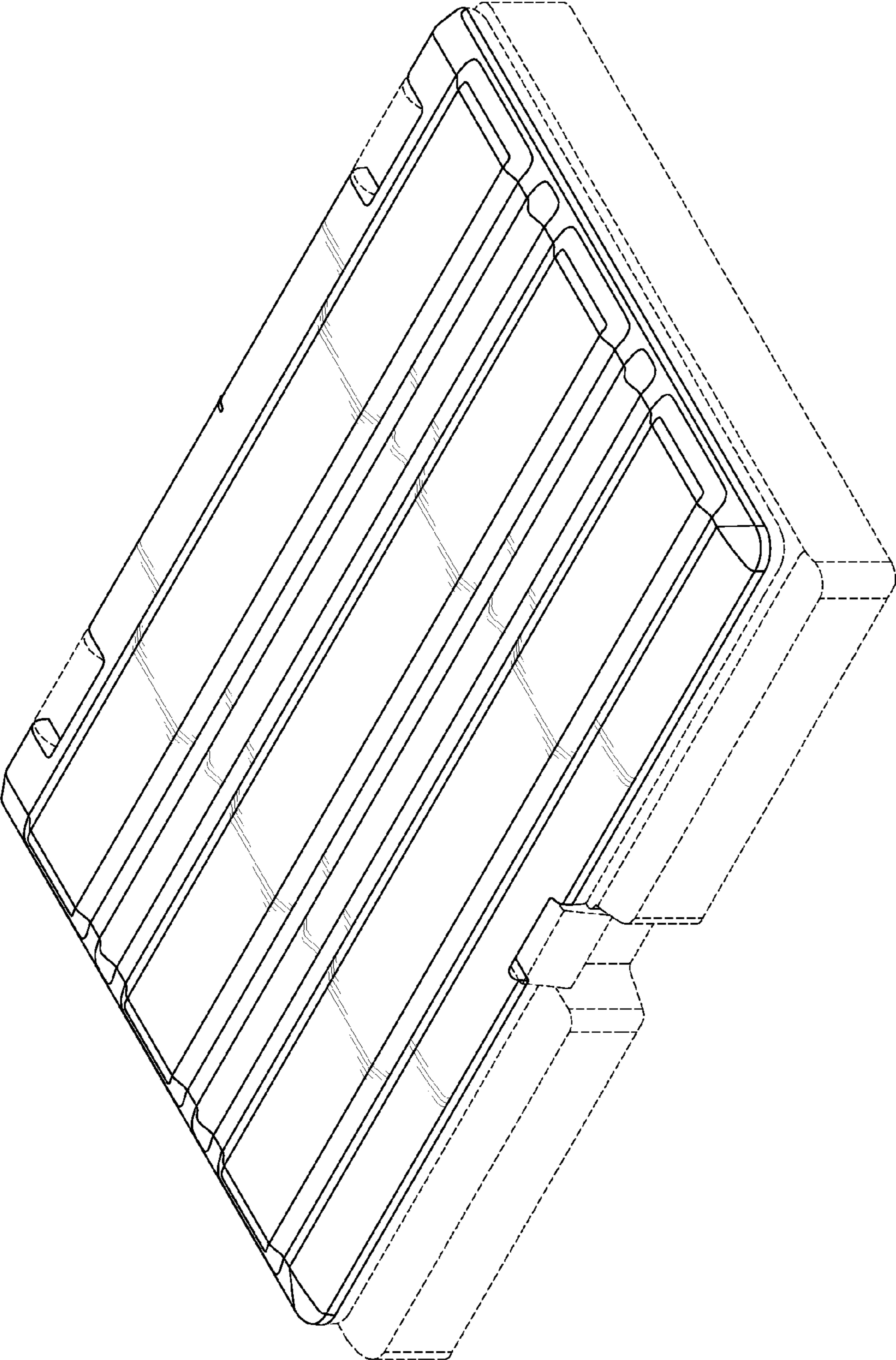


FIG.22

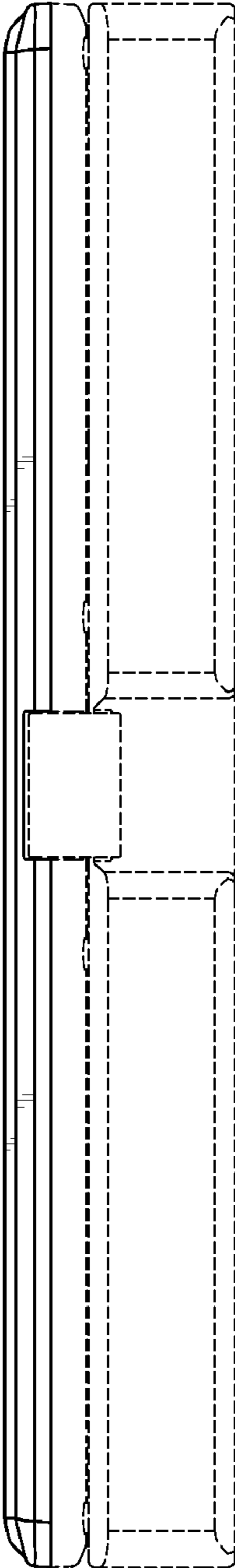


FIG. 23

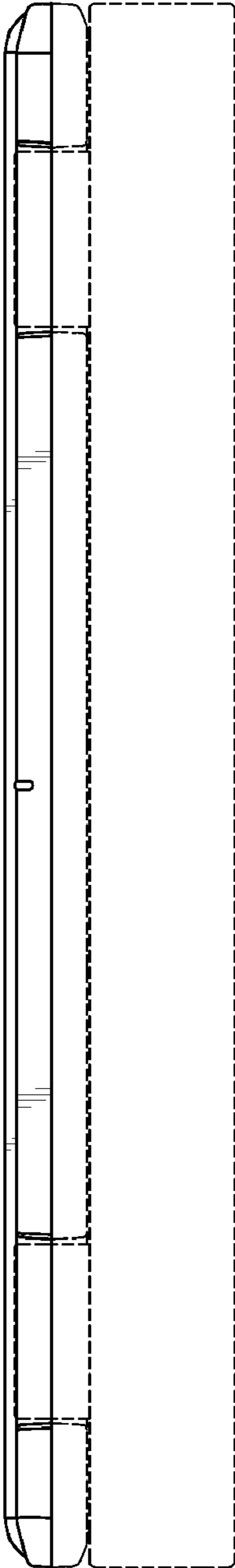


FIG. 24

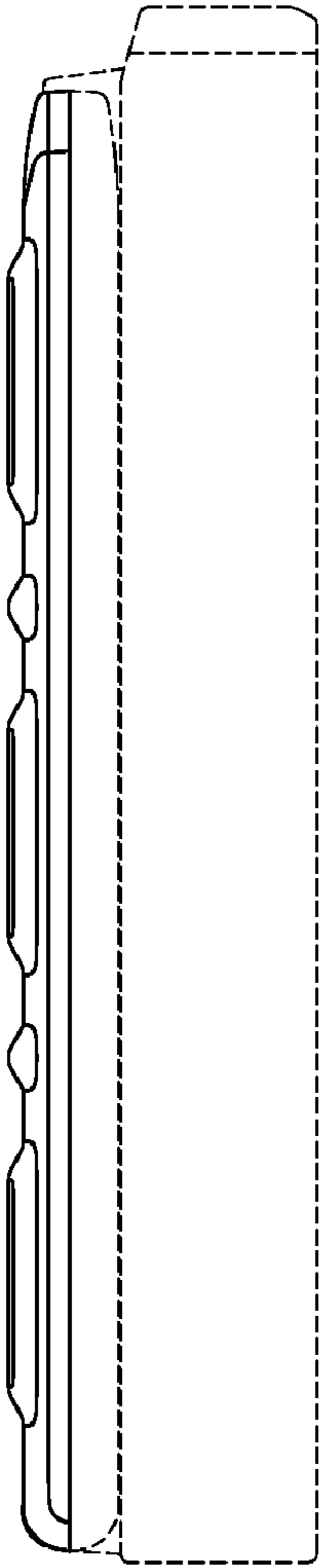


FIG. 25

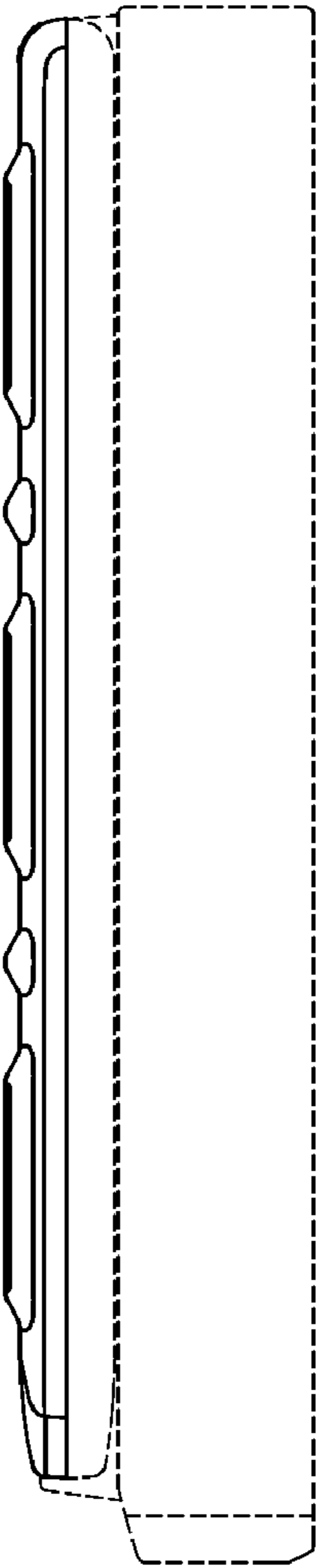


FIG. 26

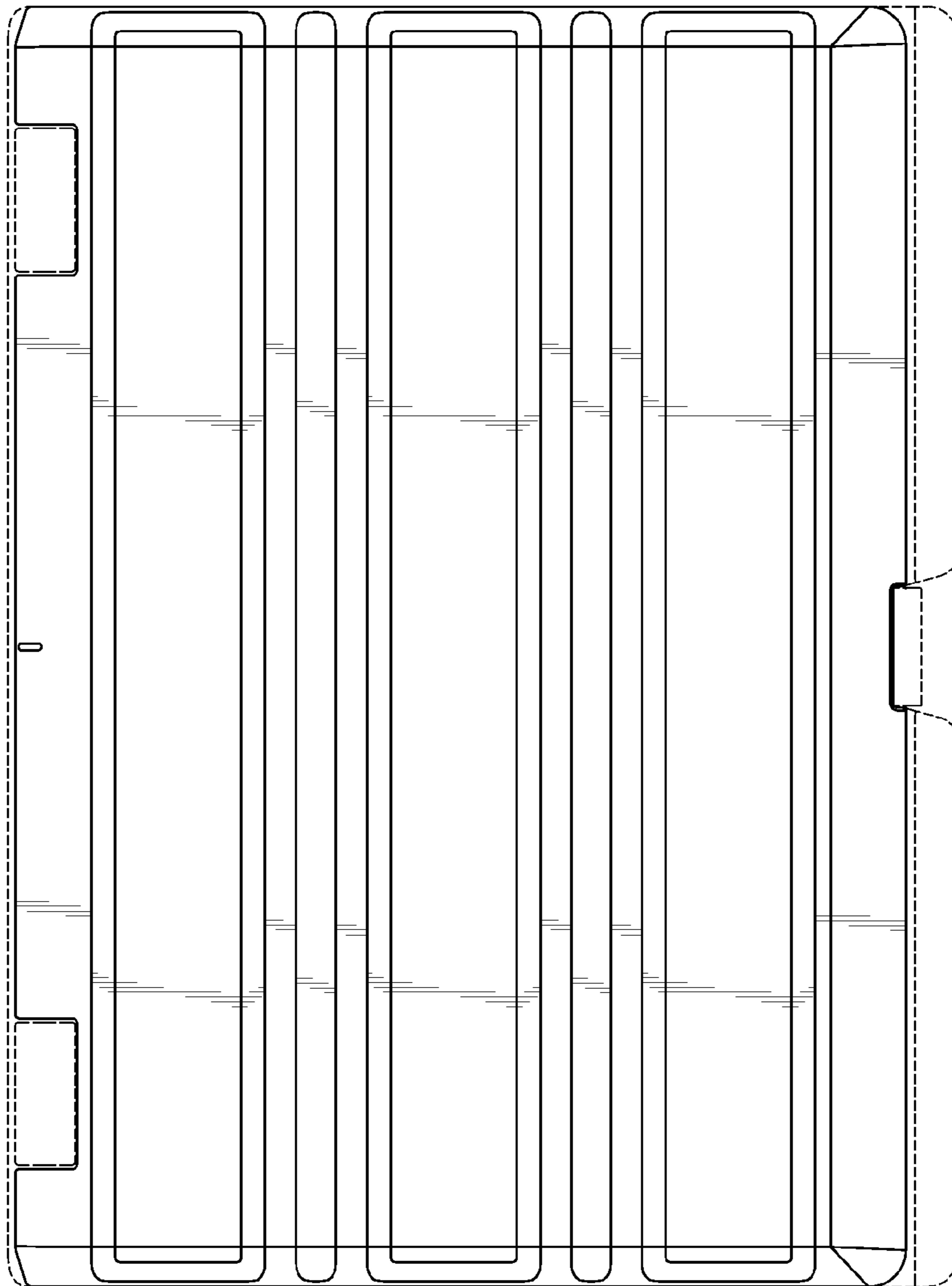


FIG.27

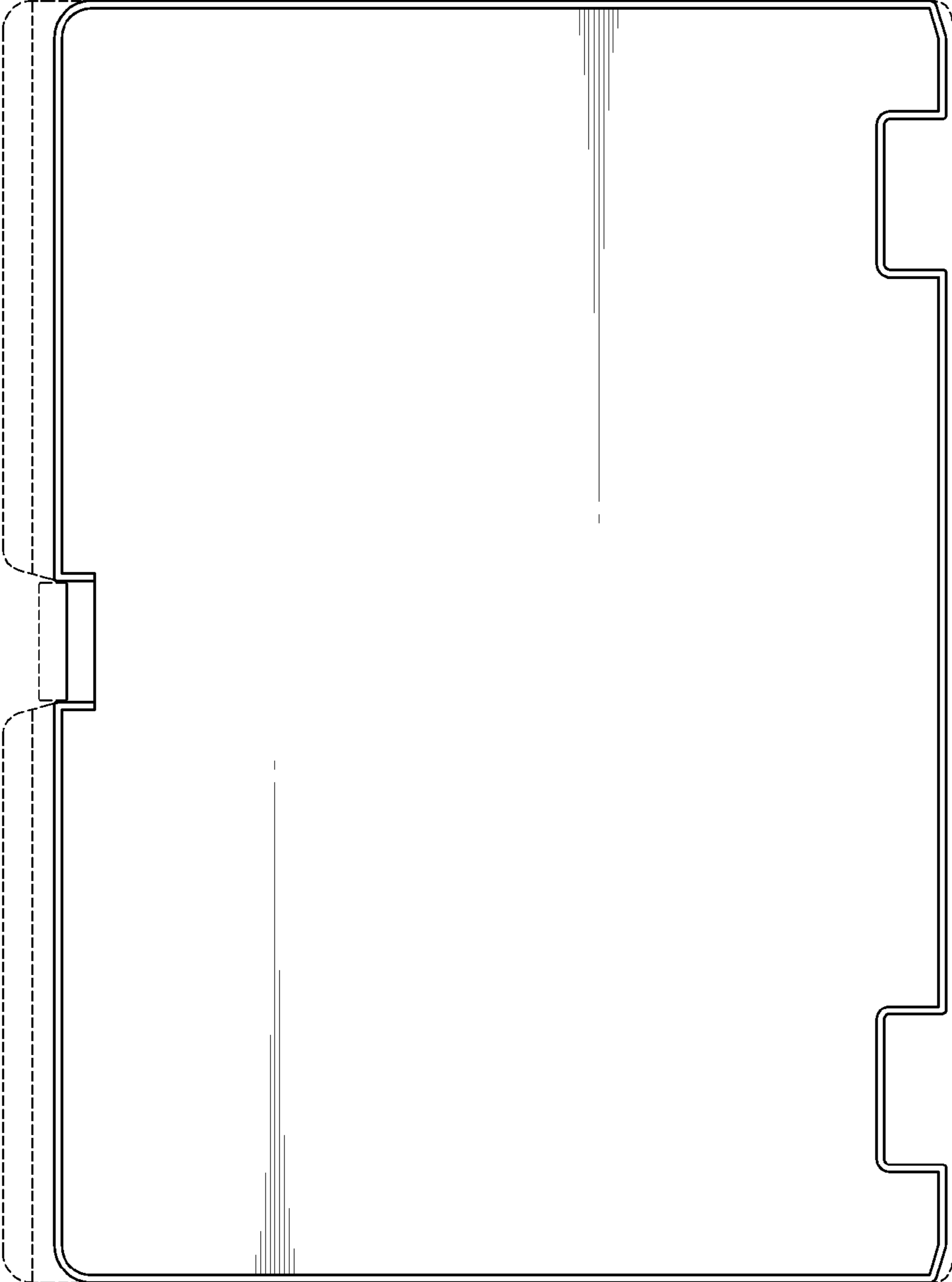


FIG.28