



US00D635132S

(12) **United States Design Patent**
Li

(10) **Patent No.:** **US D635,132 S**

(45) **Date of Patent:** **** Mar. 29, 2011**

(54) **COVER PLATE OF A NOTEBOOK
COMPUTER**

D456,398 S * 4/2002 Horiki D14/328
D495,326 S * 8/2004 Horiki D14/318
D558,754 S * 1/2008 Takemasa et al. D14/328
D577,013 S * 9/2008 Harris et al. D14/317

(75) Inventor: **Chun-Hsing Li**, Taipei (TW)

* cited by examiner

(73) Assignee: **Getac Technology Corporation**,
Hsinchu (TW)

Primary Examiner — Freda S Nunn

(**) Term: **14 Years**

(57) **CLAIM**

(21) Appl. No.: **29/363,048**

The ornamental design for a cover plate of a notebook com-
puter, as shown and described.

(22) Filed: **Jun. 3, 2010**

DESCRIPTION

(51) **LOC (9) Cl.** **14-02**

(52) **U.S. Cl.** **D14/315**

(58) **Field of Classification Search** D14/315-328,
D14/341-345; D18/1, 2, 7, 11; 400/486,
400/489; 345/102, 104, 156, 163, 168; 341/22,
341/23; 361/679.08, 679.09, 679.26, 679.27
See application file for complete search history.

FIG. 1 is a perspective view showing my new design;
FIG. 2 is a front elevational view thereof;
FIG. 3 is a rear elevational view thereof;
FIG. 4 is a right side elevational view thereof;
FIG. 5 is a left side elevational view thereof;
FIG. 6 is a top plan view thereof;
FIG. 7 is a bottom plan view thereof; and,
FIG. 8 is perspective view thereof illustrating environment
structure in broken lines.

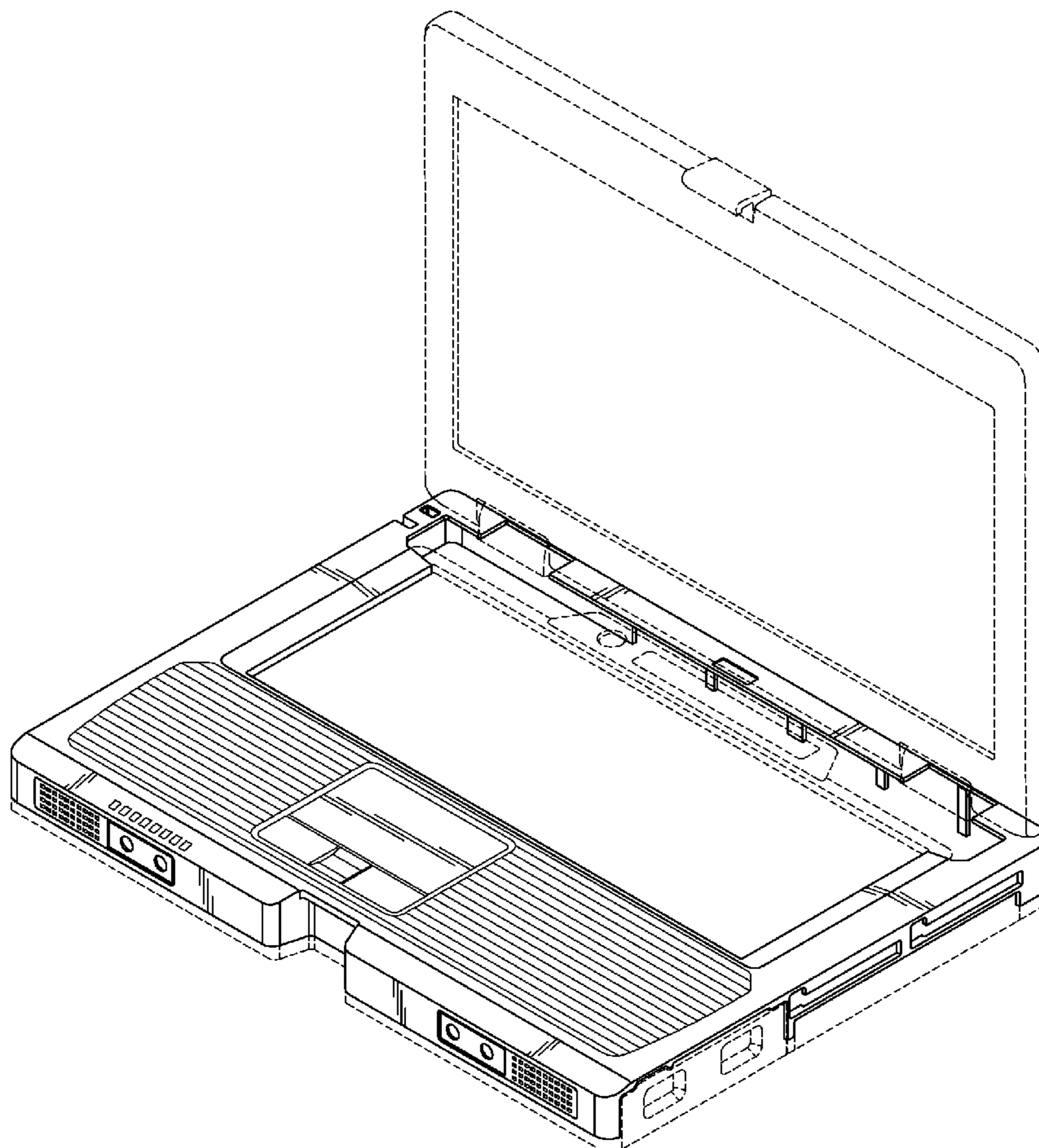
(56) **References Cited**

The broken lines which illustrate the environmental structure
of the claimed design form no part thereof.

U.S. PATENT DOCUMENTS

D366,256 S * 1/1996 Landry et al. D14/392
D378,087 S * 2/1997 Mieki et al. D14/392
D412,317 S * 7/1999 Horiki et al. D14/318

1 Claim, 6 Drawing Sheets



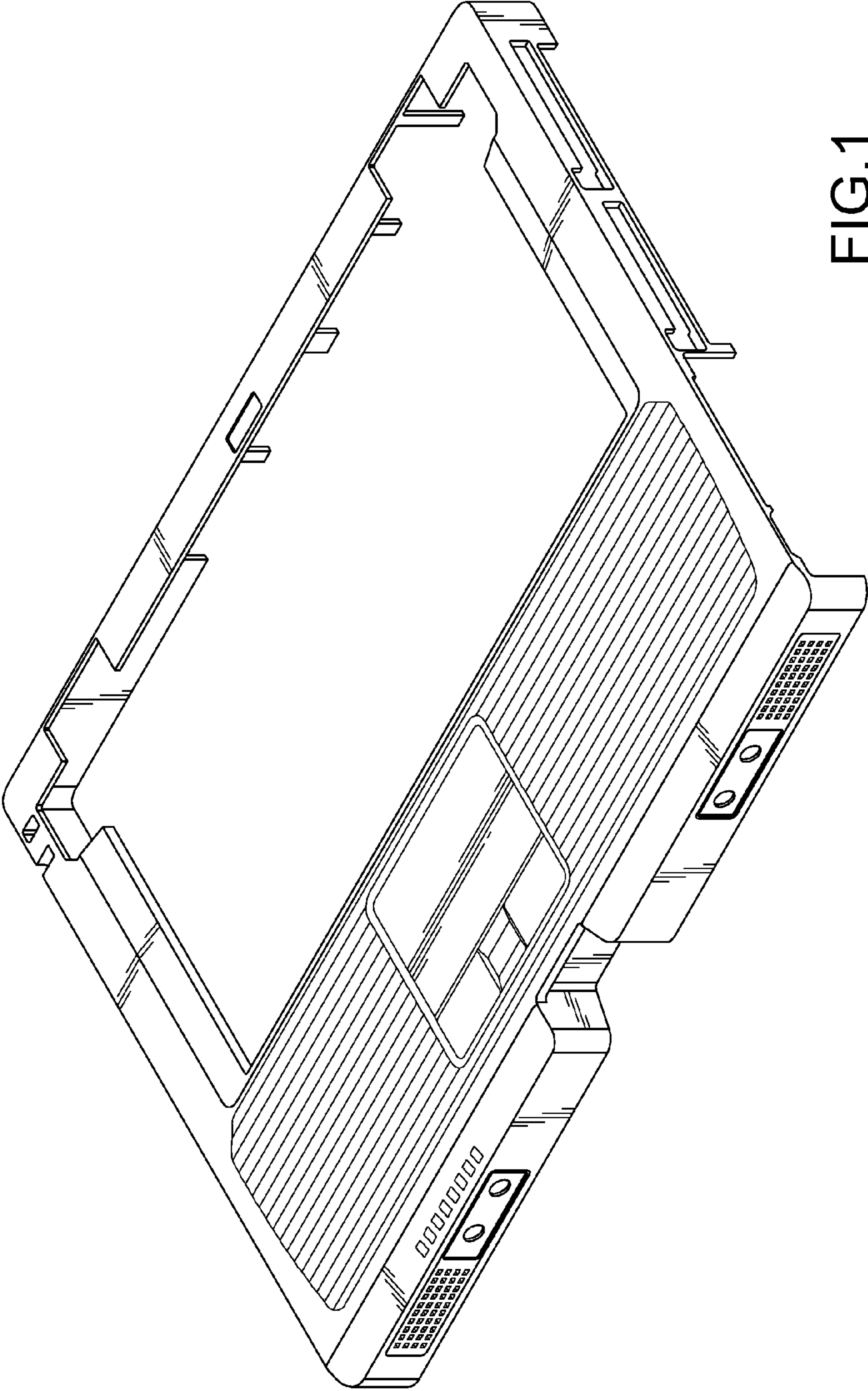


FIG.1

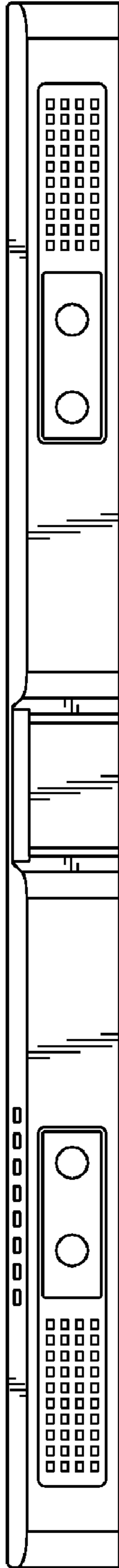


FIG. 2

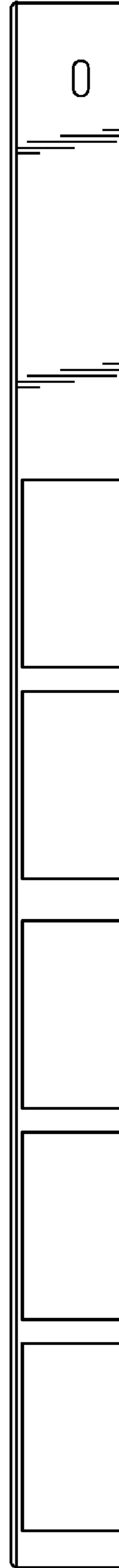


FIG. 3

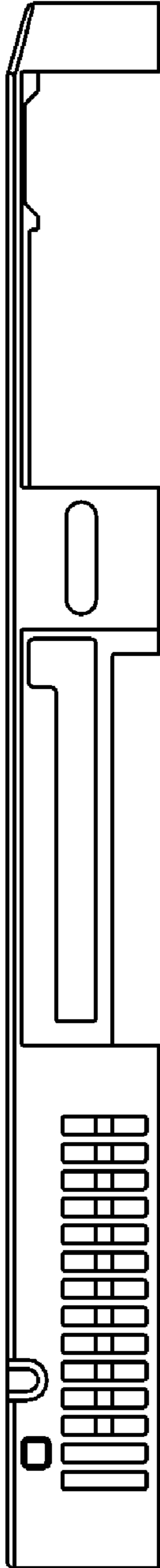


FIG. 4

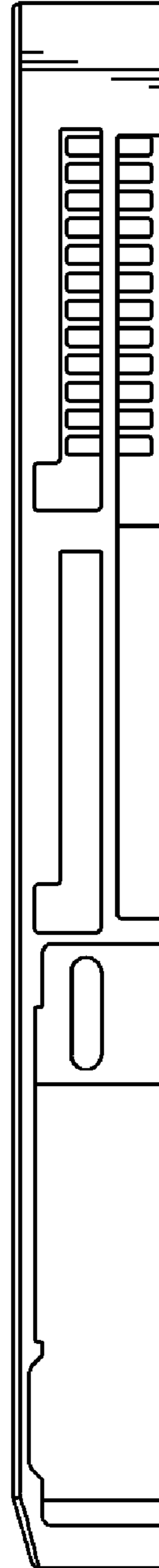


FIG. 5

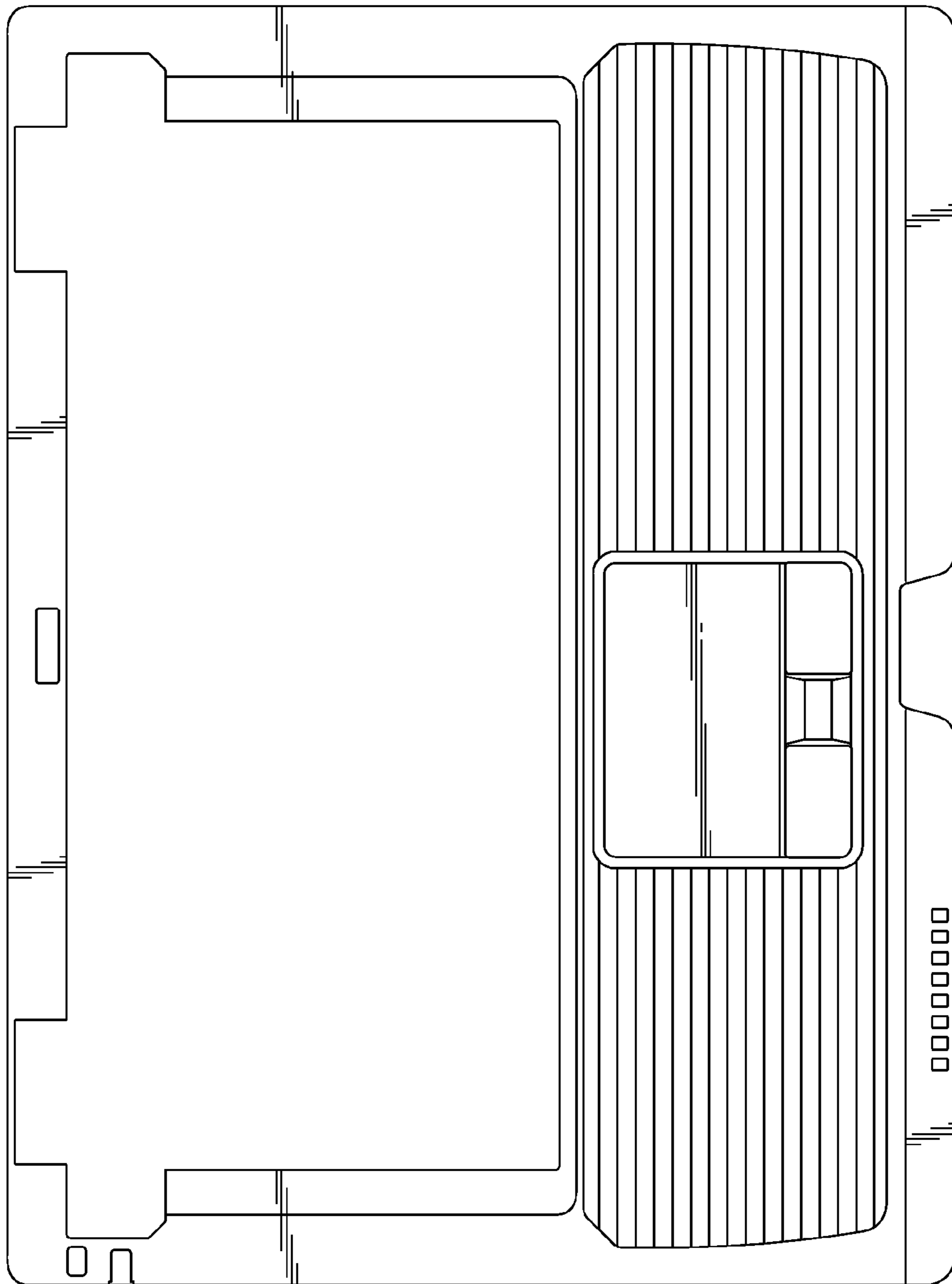


FIG.6

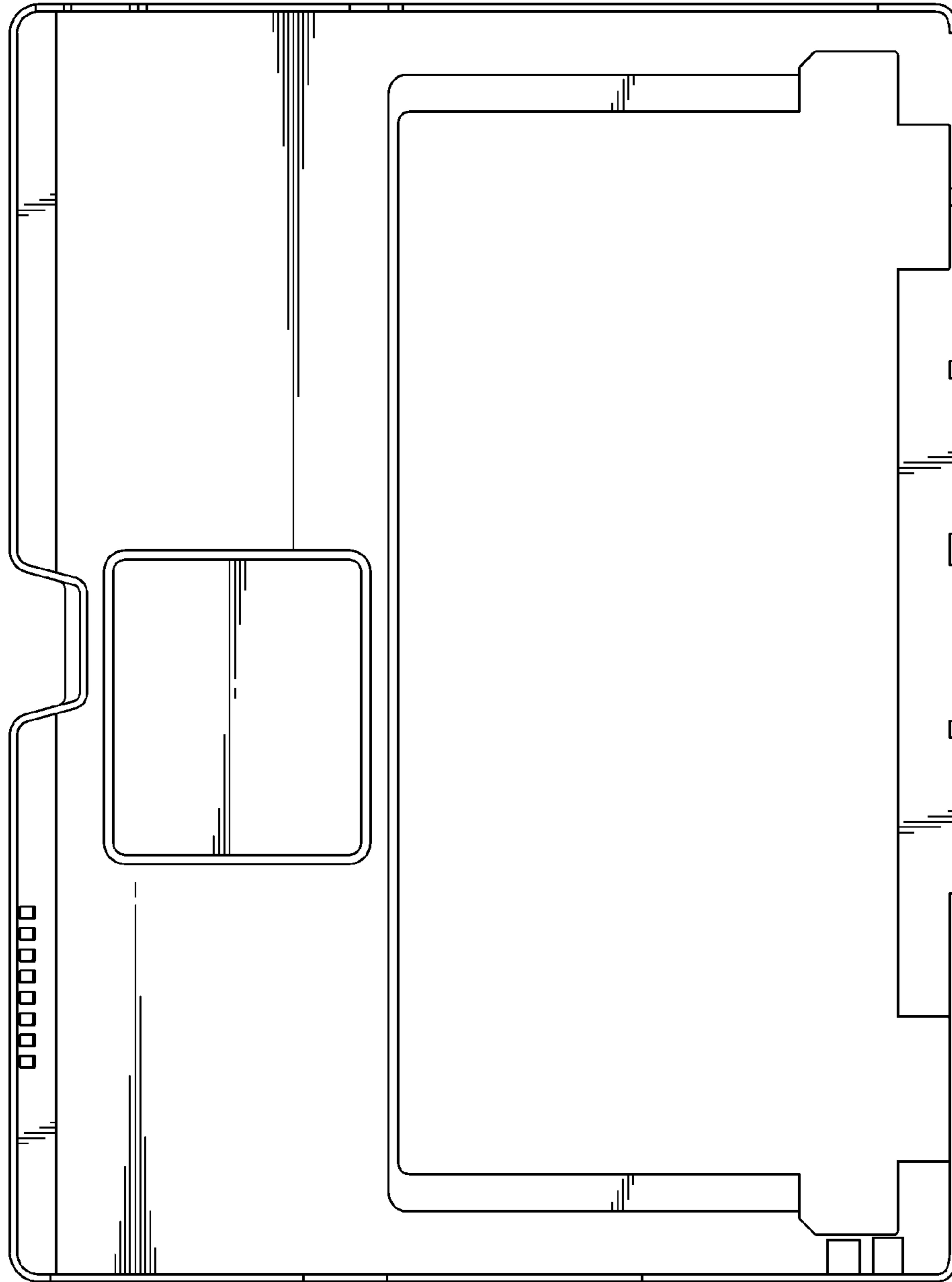


FIG.7

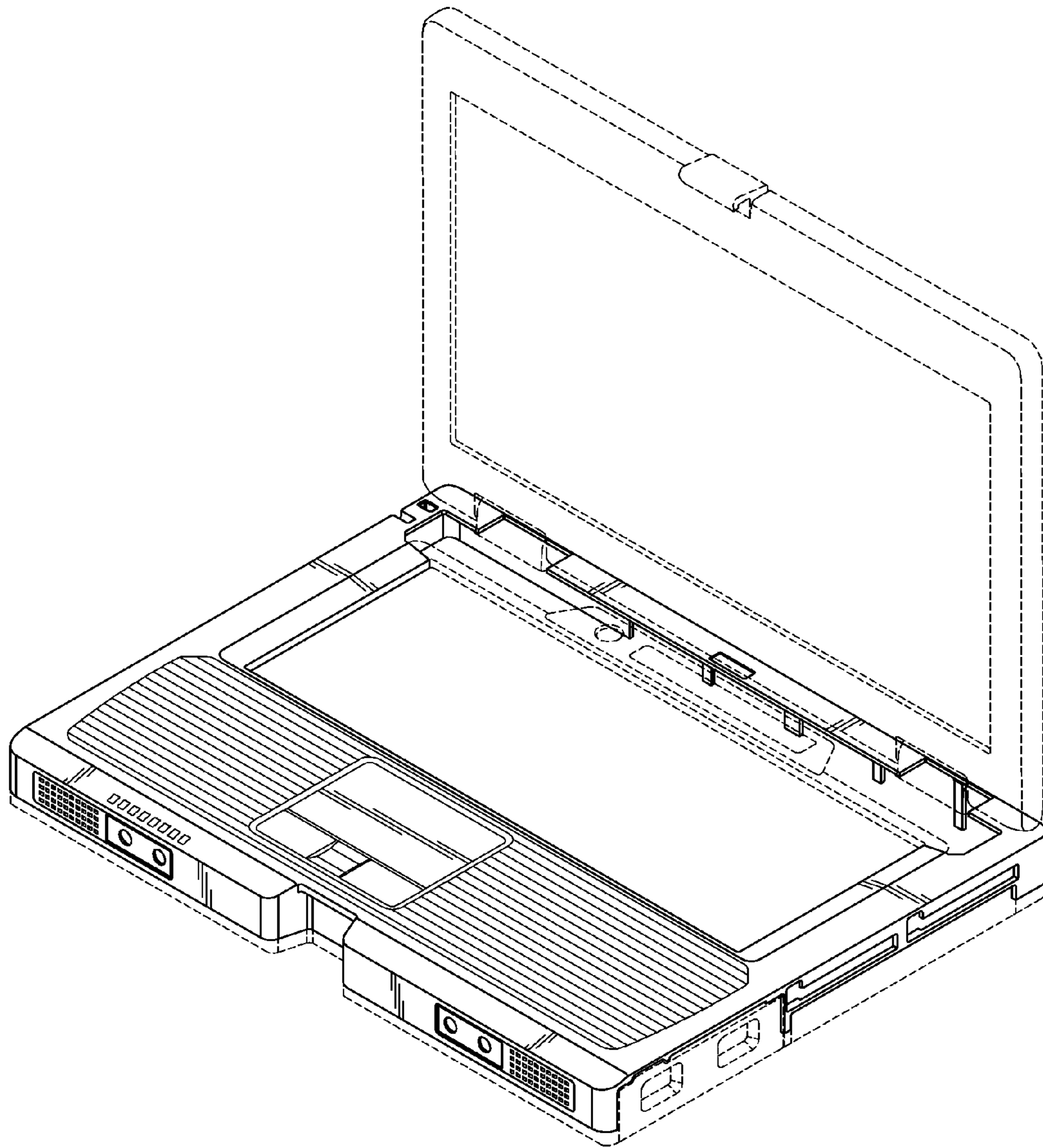


FIG.8