



US00D635130S

(12) **United States Design Patent**
Skull et al.

(10) **Patent No.:** **US D635,130 S**
(45) **Date of Patent:** **** Mar. 29, 2011**

(54) **MOUNT FOR ELECTRONIC DISPLAY**

(75) Inventors: **Joseph Skull**, Fridley, MN (US); **Robert Hagen**, Minneapolis, MN (US); **Joe Bures**, Columbia Heights, MN (US); **Peter Tribuno**, Roseville, MN (US)

(73) Assignee: **Milestone AV Technologies LLC**, Savage, MN (US)

(**) Term: **14 Years**

(21) Appl. No.: **29/352,058**

(22) Filed: **Dec. 15, 2009**

(51) **LOC (9) Cl.** **14-03**

(52) **U.S. Cl.** **D14/239**

(58) **Field of Classification Search** D14/125-134, D14/239, 371, 136, 374-377; D8/363, 373, D8/349, 394; 248/465, 917-924, 123.11; 348/825, 827, 836, 837, 838, 180, 184, 325, 348/739; 600/443; D6/477-479, 407, 474, D6/460, 461, 468; 312/7.2; 341/12; 345/87, 345/104, 133, 156, 168, 169, 173; 720/605, 720/669, 600, 655; 369/99, 197; 455/344-347; 349/1, 2, 11, 62; 108/59, 91, 92, 96; 211/40, 211/41.12, 42, 49.1, 50, 85.2, 90.04, 187, 211/190, 119.003, 134.15, 3, 87.01, 71.01
See application file for complete search history.

(56) **References Cited**

U.S. PATENT DOCUMENTS

D493,800	S	8/2004	Pfister et al.	
D494,978	S	8/2004	Pfister	
7,028,961	B1	4/2006	Dittmer et al.	
D528,901	S *	9/2006	David	D8/373
7,152,836	B2	12/2006	Pfister et al.	
7,178,775	B2	2/2007	Pfister et al.	
D560,671	S *	1/2008	Muday et al.	D14/451
D560,672	S *	1/2008	Muday et al.	D14/451
D570,852	S *	6/2008	Muday et al.	D14/451
7,380,760	B2	6/2008	Dittmer	

7,387,286	B2	6/2008	Dittmer et al.	
7,395,996	B2	7/2008	Dittmer	
D576,632	S *	9/2008	Stenhouse et al.	D14/451
7,438,269	B2	10/2008	Pfister et al.	
D582,401	S *	12/2008	Stenhouse et al.	D14/239
D593,081	S *	5/2009	Grolle et al.	D14/239
D614,611	S *	4/2010	Leung	D14/239
2004/0011930	A1	1/2004	Touhy, III et al.	

(Continued)

OTHER PUBLICATIONS

Brochure Entitled: Panel Display Pivot Mount for Model PDM 625, 2 Pgs., no date available.

(Continued)

Primary Examiner — Raphael Barkai

Assistant Examiner — Randall Gholson

(74) *Attorney, Agent, or Firm* — Patterson Thunte Christensen Pedersen, P.A.

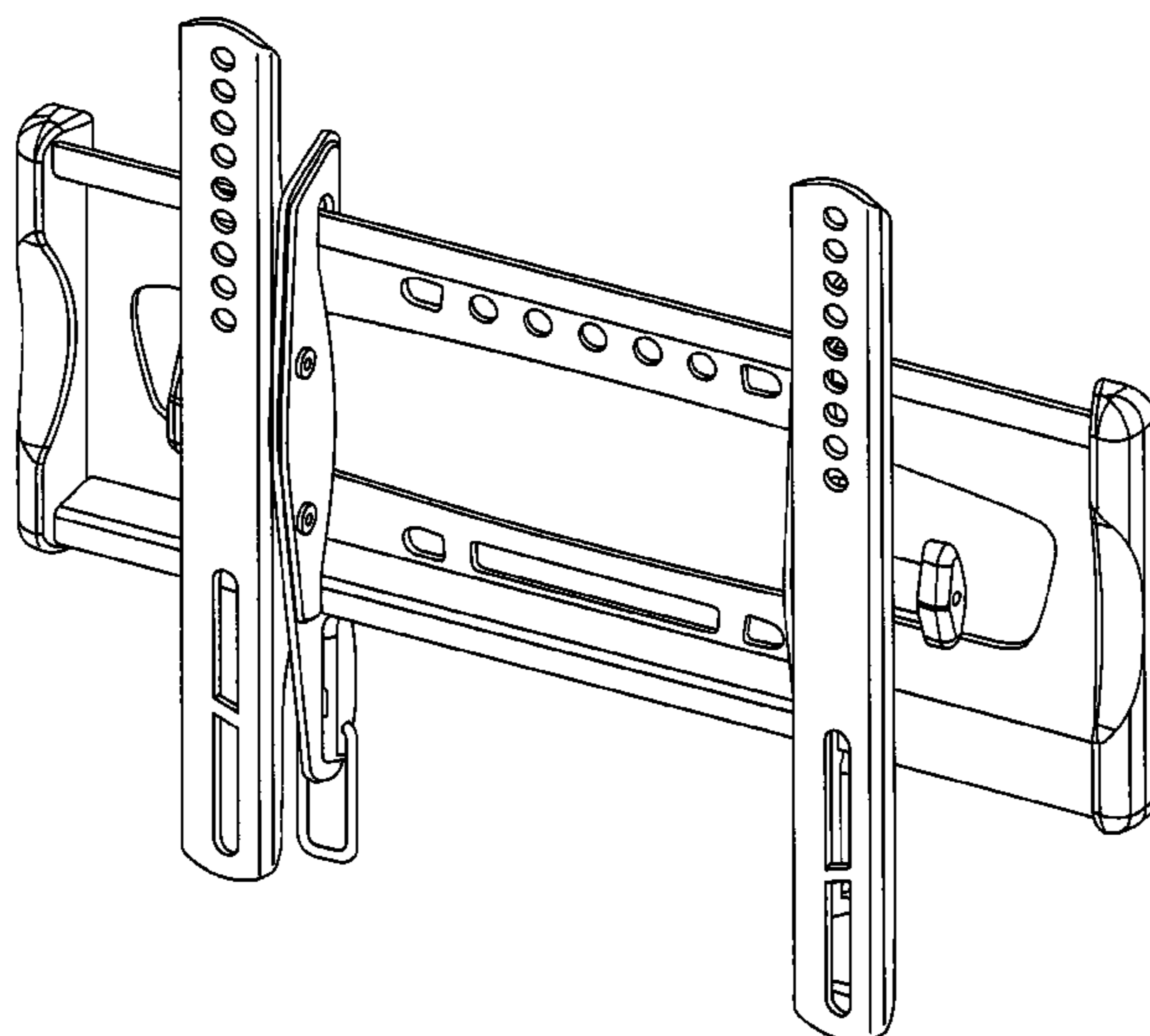
(57) **CLAIM**

The ornamental design for a mount for electronic display, as shown and described.

DESCRIPTION

FIG. 1 is a front perspective view of a mount for electronic display according to a first embodiment of the invention; FIG. 2 is a front elevation view of the mount for electronic display depicted in FIG. 1; FIG. 3 is a right side elevation view of the mount for electronic display depicted in FIG. 1; FIG. 4 is a left side elevation view of the mount for electronic display depicted in FIG. 1; FIG. 5 is a top plan view of the mount for electronic display depicted in FIG. 1; and, FIG. 6 is a bottom plan view of the mount for electronic display depicted in FIG. 1. The rear elevation of the mount depicted in FIGS. 1-6 is not claimed, and is hence not depicted.

1 Claim, 4 Drawing Sheets



U.S. PATENT DOCUMENTS

2004/0211870	A1	10/2004	Bremmon et al.	
2004/0232298	A1	11/2004	Bremmon	
2004/0232301	A1	11/2004	Bremmon	
2004/0245420	A1	12/2004	Pfister et al.	
2005/0051688	A1	3/2005	Dittmer	
2005/0133678	A1*	6/2005	Dittmer	248/274.1
2005/0263659	A1	12/2005	Pfister et al.	
2007/0090250	A1	4/2007	O'Keene	
2007/0153459	A1	7/2007	Wohlford et al.	
2007/0176067	A1	8/2007	Monaco	
2007/0181762	A1	8/2007	Dittmer	
2007/0235614	A1	10/2007	O'Keene et al.	
2008/0117580	A1	5/2008	Dittmer et al.	

OTHER PUBLICATIONS

Brochure Entitled: Panel Display Pivot Mount for Model Nos. PDM 110 and PDM 120, 2 Pgs., no date available.
 Plasma Tv Wall Mount Installation Manual entitled: *Wall Mount Kit for Plasma TV Screens*, Rev 1.0, dated Nov. 2003, pp. 1-12.
 Brochure Entitled: Peerless® Flat Panel SmartMount™ Universal Tilt Wall Mount for 32" to 50" Plasma and LCD Flat Panel Screens, 2 Pgs., © 2006.
 Brochure Entitled: Peerless® Flat Panel SmartMount™ Universal Tilt Wall Mount for 61" to 102" Plasma and LCD Flat Panel Screens, 2 Pgs., © 2006.

Brochure Entitled: Peerless® Flat Panel SmartMount™ Universal Tilt Wall Mount for 42" to 71" Plasma and LCD Flat Panel Screens, 2 Pgs., © 2006.
 Brochure Entitled: Peerless® Flat Panel SmartMount™ Universal Tilt Wall Mount for 32" to 60" Plasma and LCD Flat Panel Screens, 2 Pgs., © 2006.
 Brochure Entitled: Peerless® Flat Panel SmartMount™ Universal Tilt Wall Mount for 23" to 46" LCD Flat Panel Screens, 2 Pgs., © 2006.
 Brochure Entitled: Peerless® Flat Panel SmartMount™ Universal Flat Wall Mount for 61" to 102" Plasma and LCD Flat Panel Screens, 2 Pgs., © 2006.
 Brochure Entitled: Peerless® Flat Panel SmartMount™ Universal Flat Wall Mount for 42" to 71" Plasma and LCD Flat Panel Screens, 2 Pgs., © 2006.
 Brochure Entitled: Peerless® Solid Solutions—Solid Support™ Installation and Assembly: SmartMount™ Universal Tilt Wall Mount for 22"-49" Screens, 12 Pgs., Issued Mar. 31, 2005.
 ViewSonic Mount, 1 Pg., circa 2005.
 Hitachi Mount, 1 Pg., circa 2005.
 Sanus® Systems Catalog, © 2010 Milestone AV Technologies, a Duchossois Group Company, 6 Pgs.

* cited by examiner

Fig. 1

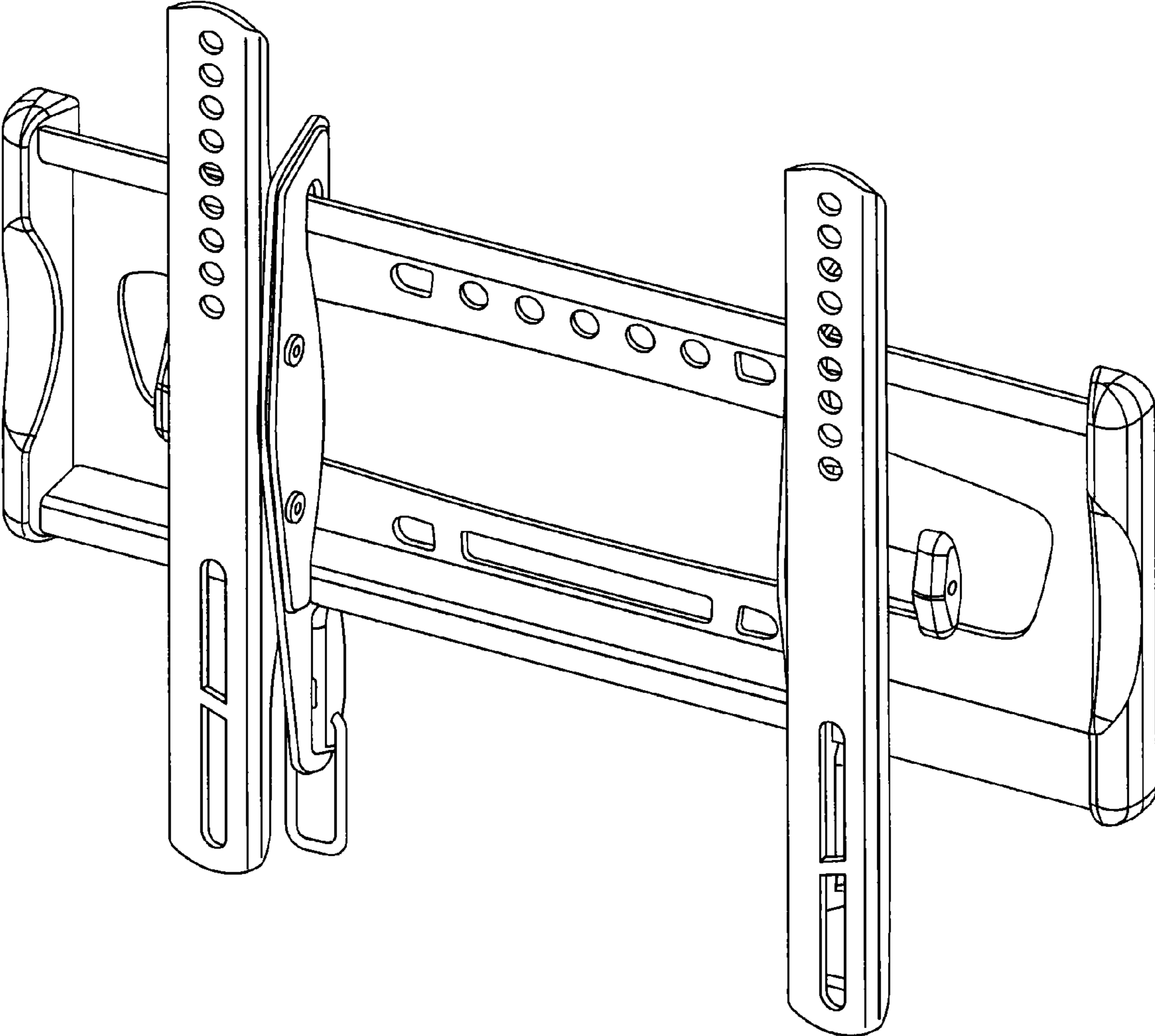


Fig. 2

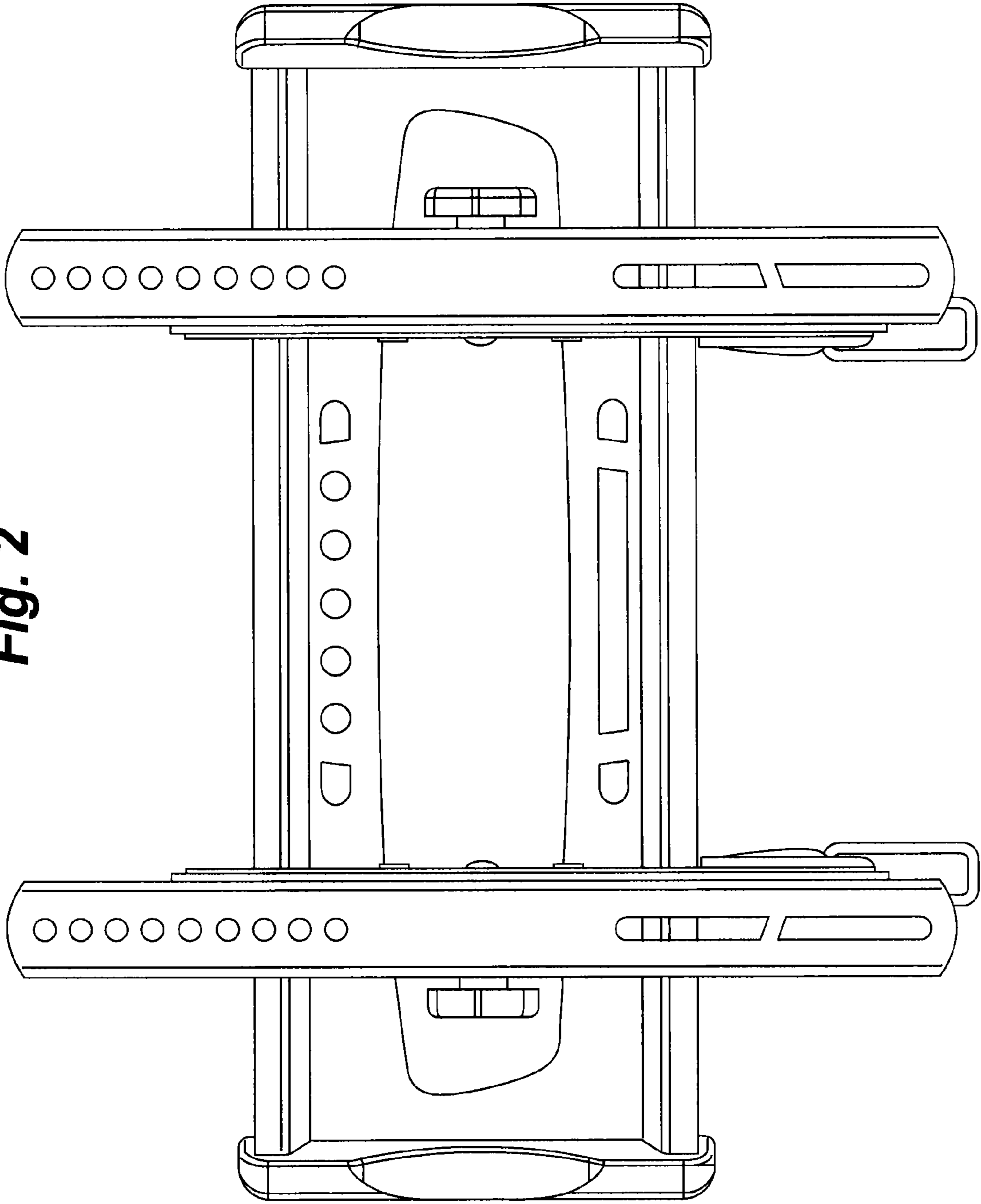


Fig. 3

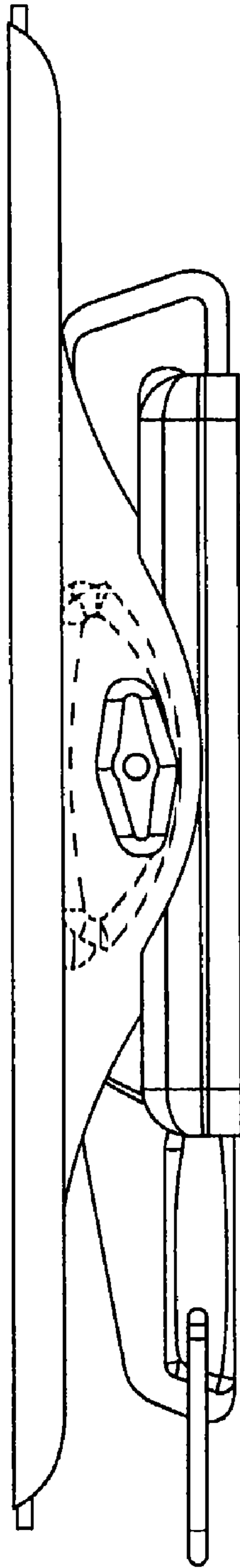


Fig. 4

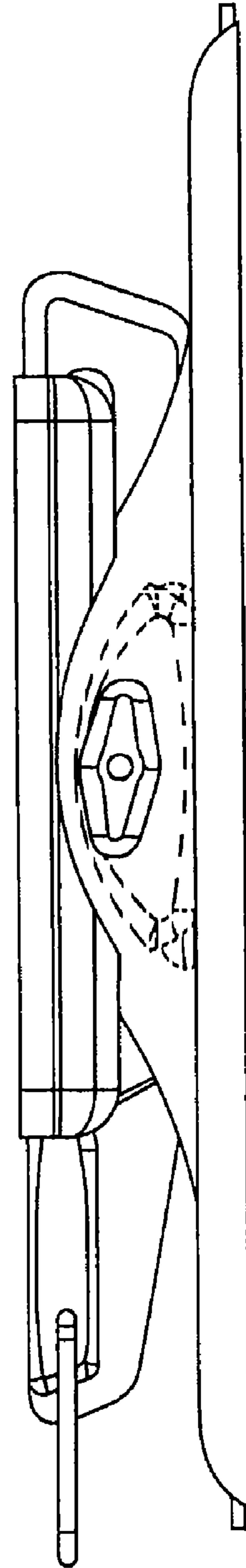


Fig. 5

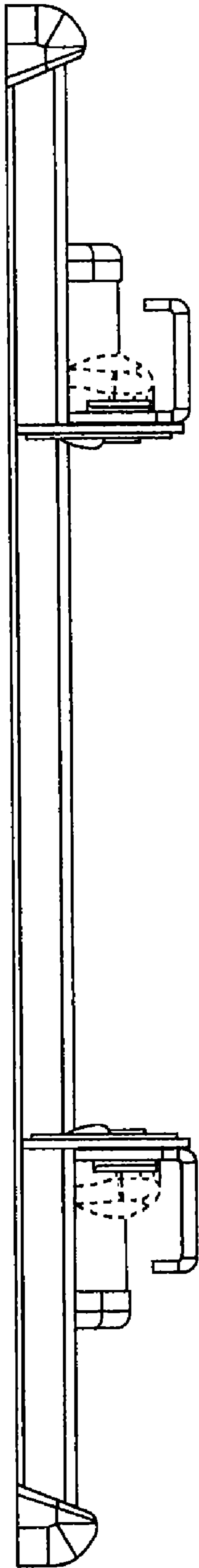


Fig. 6

