



US00D635129S

(12) **United States Design Patent**
Kim et al.

(10) **Patent No.:** **US D635,129 S**

(45) **Date of Patent:** **** Mar. 29, 2011**

(54) **EXHIBITION BOARD FOR TELEVISION SET**

(56)

References Cited

(75) Inventors: **Kyoung-Hoon Kim**, Kyunggi-do (KR);
Dae-Hun Jung, Seoul (KR); **Jin-Su Park**, Seoul (KR)

(73) Assignee: **Samsung Electronics Co., Ltd.**,
Kyunggi-do (KR)

(**) Term: **14 Years**

(21) Appl. No.: **29/349,407**

(22) Filed: **Mar. 31, 2010**

(51) **LOC (9) Cl.** **14-03**

(52) **U.S. Cl.** **D14/239**

(58) **Field of Classification Search** D14/125-134,
D14/239, 168, 188, 197, 198, 371, 374-377,
D14/496-510; 312/7.1, 7.2; 348/836, 838,
348/180, 184, 325, 739, 825, 827; 341/12;
349/58; 720/600, 619, 646, 647, 655; 455/347-351;
369/75.11, 75.21; D6/474-499, 407, 460,
D6/461, 468; 248/465, 917-924, 123.11;
600/41.12, 42, 49.1, 50, 85.2, 90.04, 187,
600/190, 119.003, 134.153, 87.01, 71.01

See application file for complete search history.

U.S. PATENT DOCUMENTS

D90,119	S	*	6/1933	McGarry	D6/397
D284,777	S	*	7/1986	Anthony	D19/91
D388,077	S	*	12/1997	Starck	D14/126
D426,205	S	*	6/2000	Knoop	D6/314
D474,454	S	*	5/2003	Izu et al.	D14/133
D475,985	S	*	6/2003	Huang et al.	D14/130
6,612,670	B2	*	9/2003	Liu	312/312
D494,165	S	*	8/2004	Yokota	D14/341
D581,681	S	*	12/2008	Goolrick	D6/314
7,679,888	B2	*	3/2010	Kirschner et al.	361/679.01

* cited by examiner

Primary Examiner — Raphael Barkai
Assistant Examiner — Randall Gholson

(74) *Attorney, Agent, or Firm* — Flynn, Thiel, Boutell & Tanis, P.C.

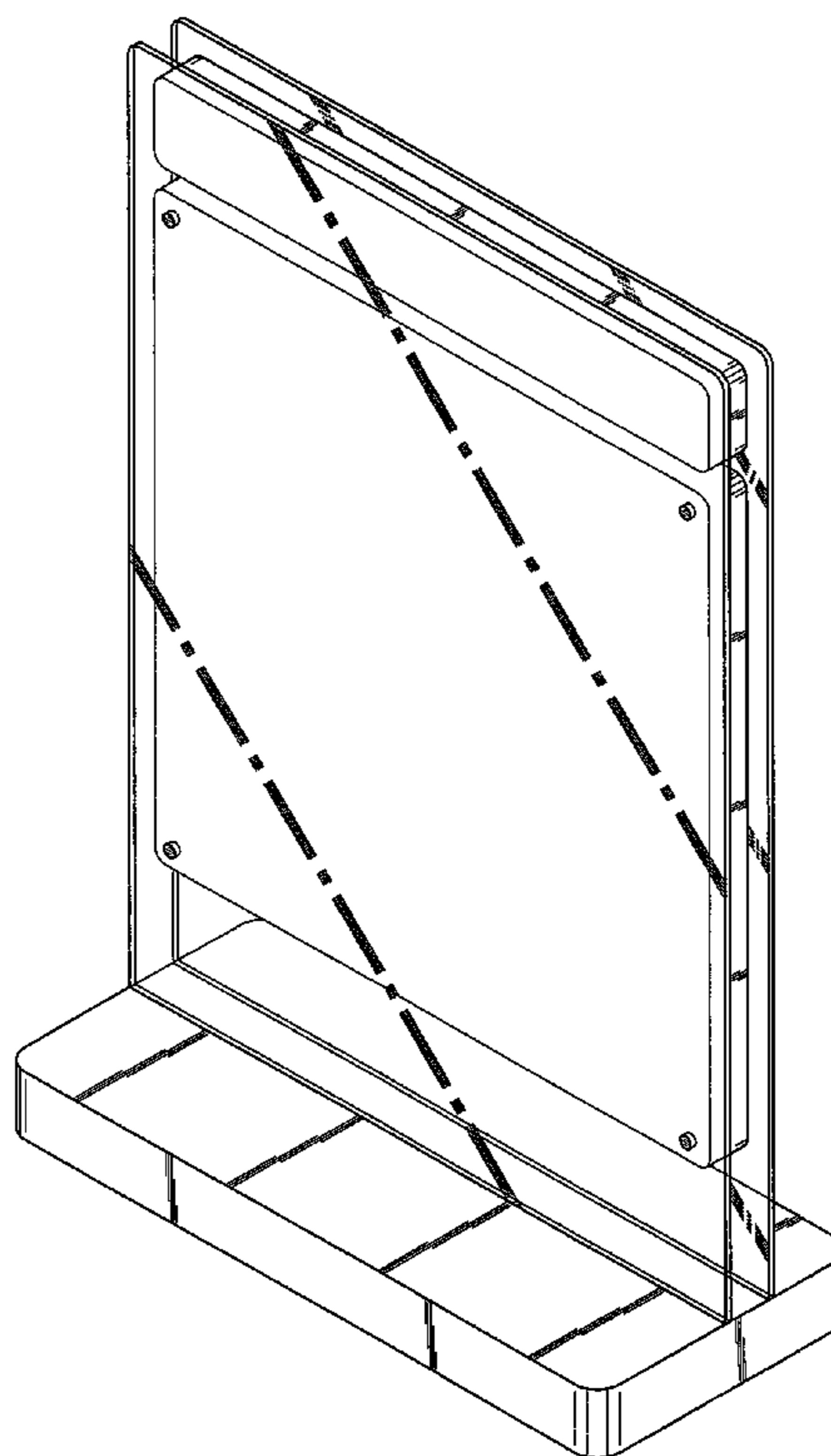
(57) **CLAIM**

The ornamental design for an exhibition board for television set, as shown and described.

DESCRIPTION

FIG. 1 is a top front perspective view of an exhibition board for television set showing our new design; FIG. 2 is a front elevational view thereof; FIG. 3 is a rear elevational view thereof; FIG. 4 is a left side elevational view thereof; FIG. 5 is a right side elevational view thereof; FIG. 6 is a top plan view thereof; and, FIG. 7 is a bottom plan view thereof.

1 Claim, 5 Drawing Sheets



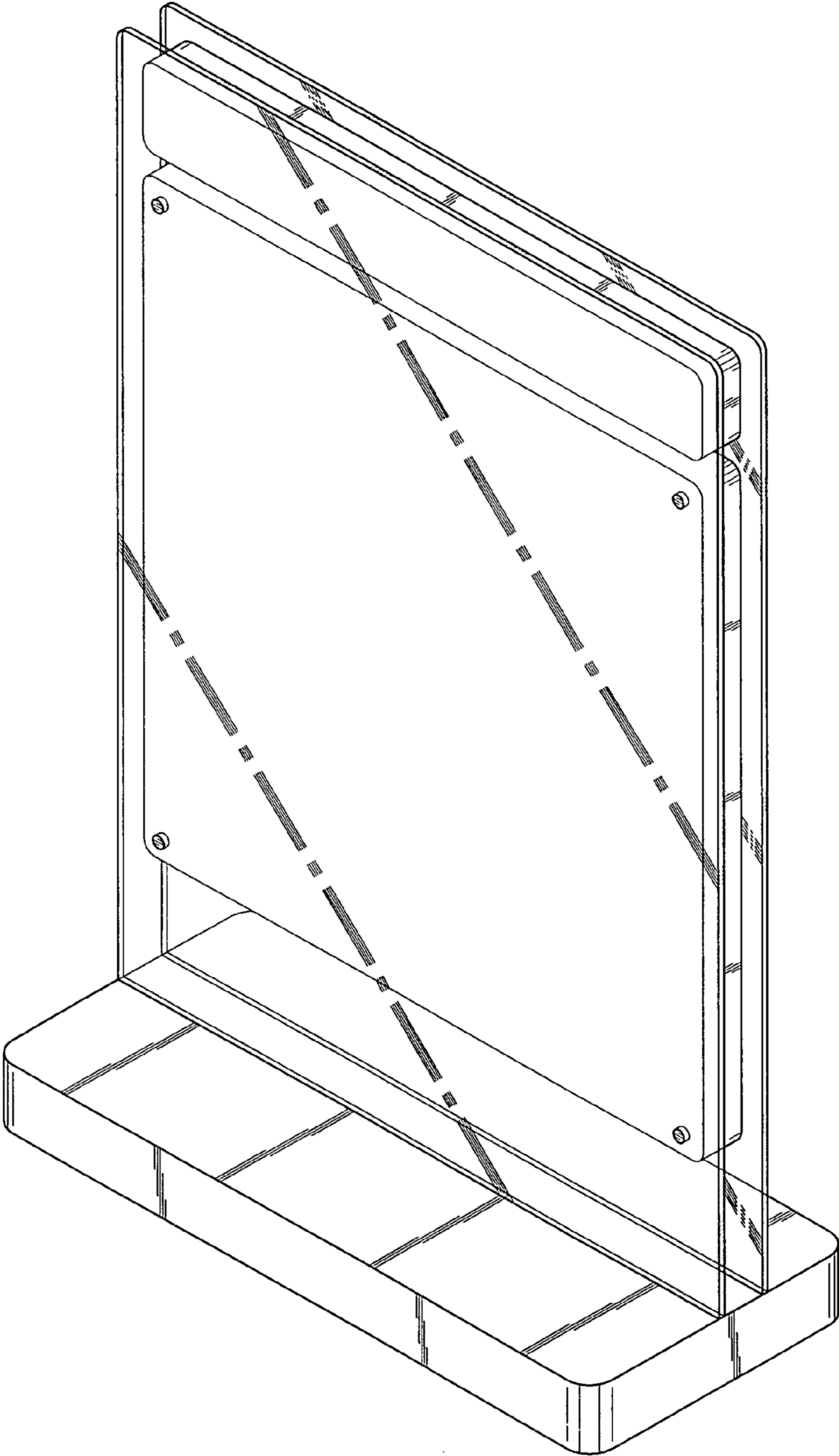


FIG. 1

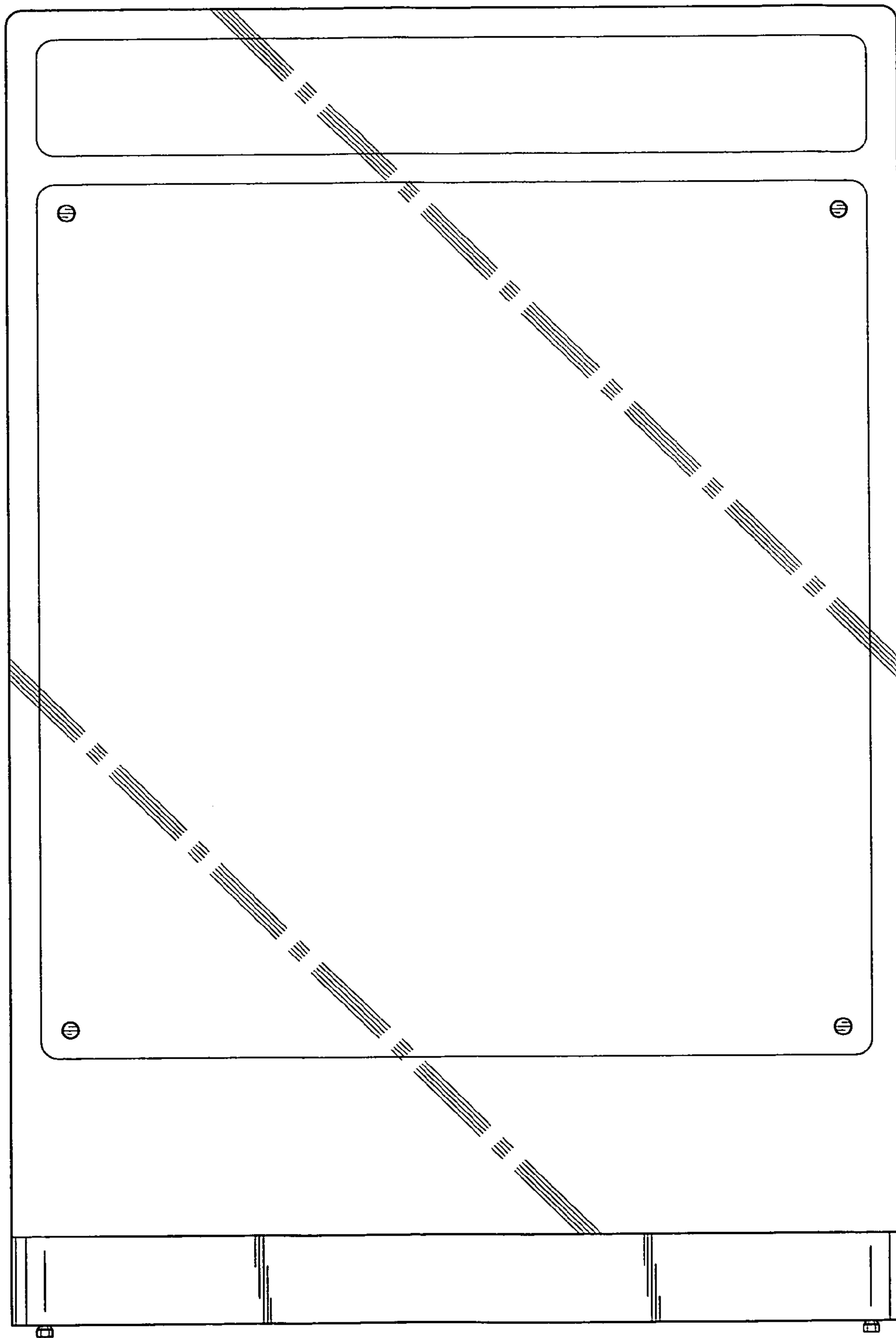


FIG. 2

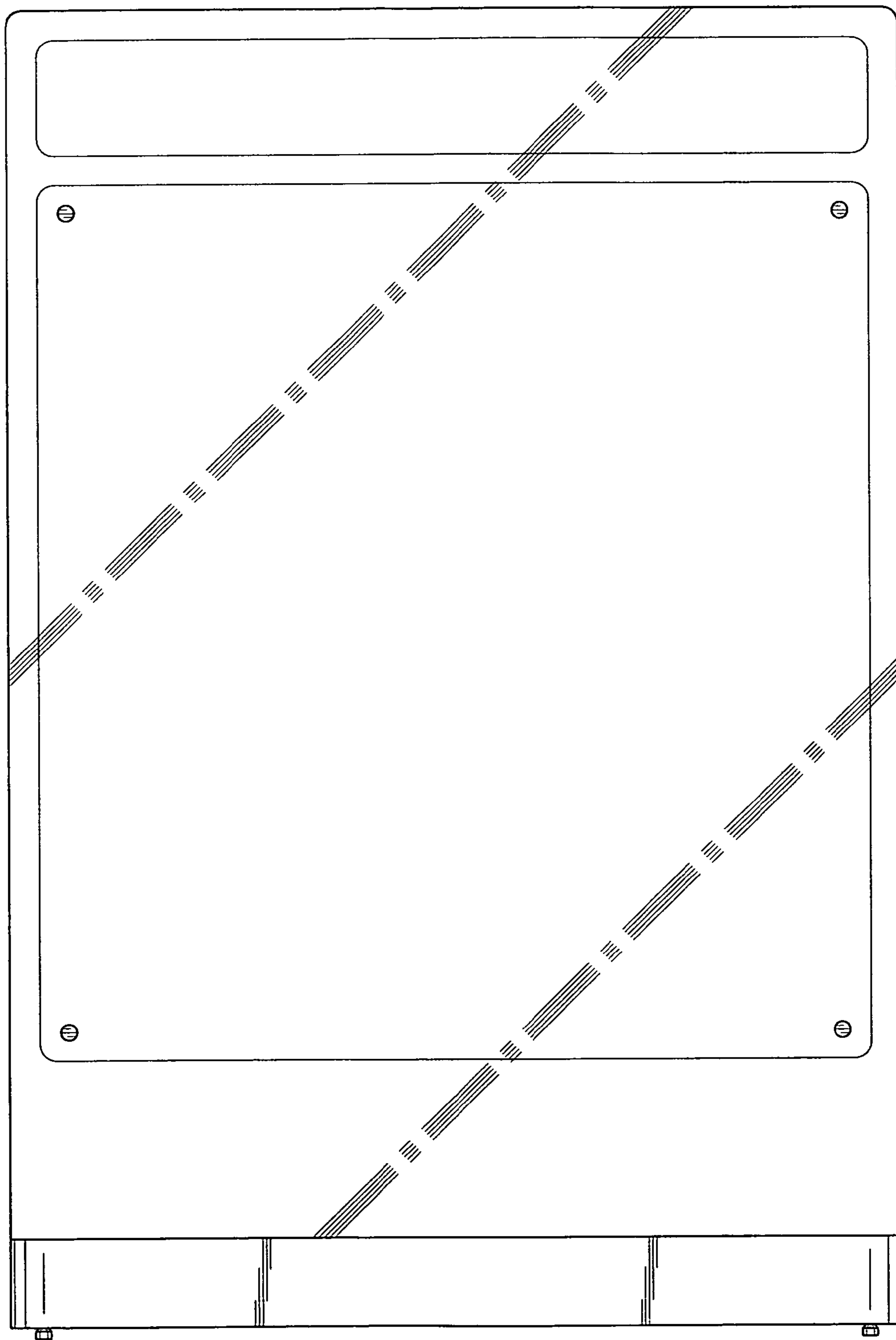


FIG. 3

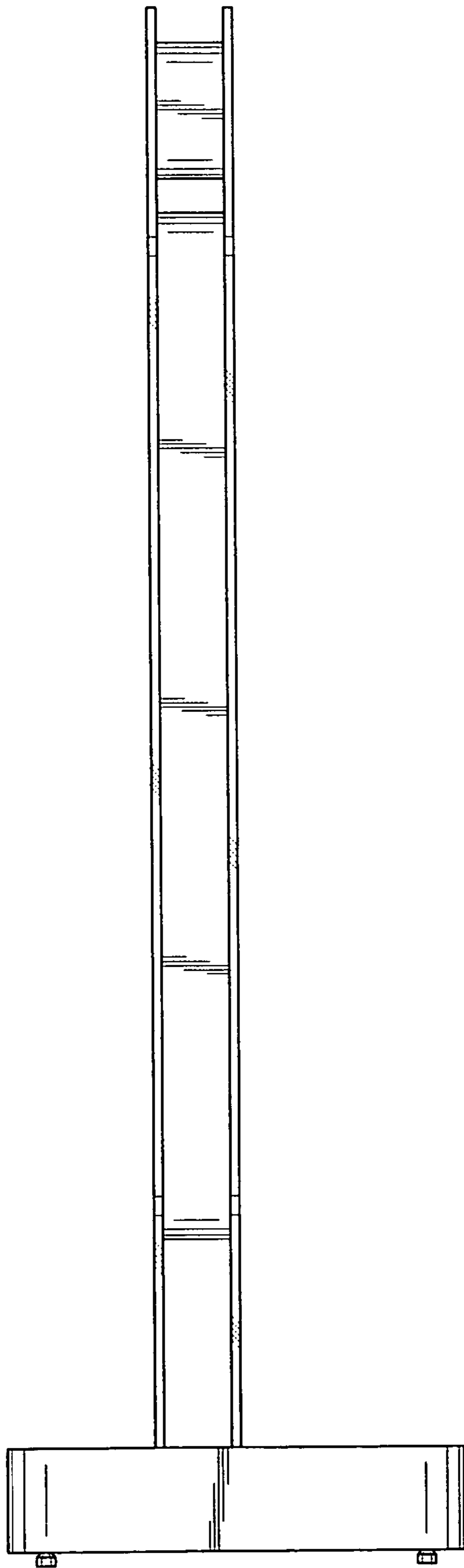


FIG. 4

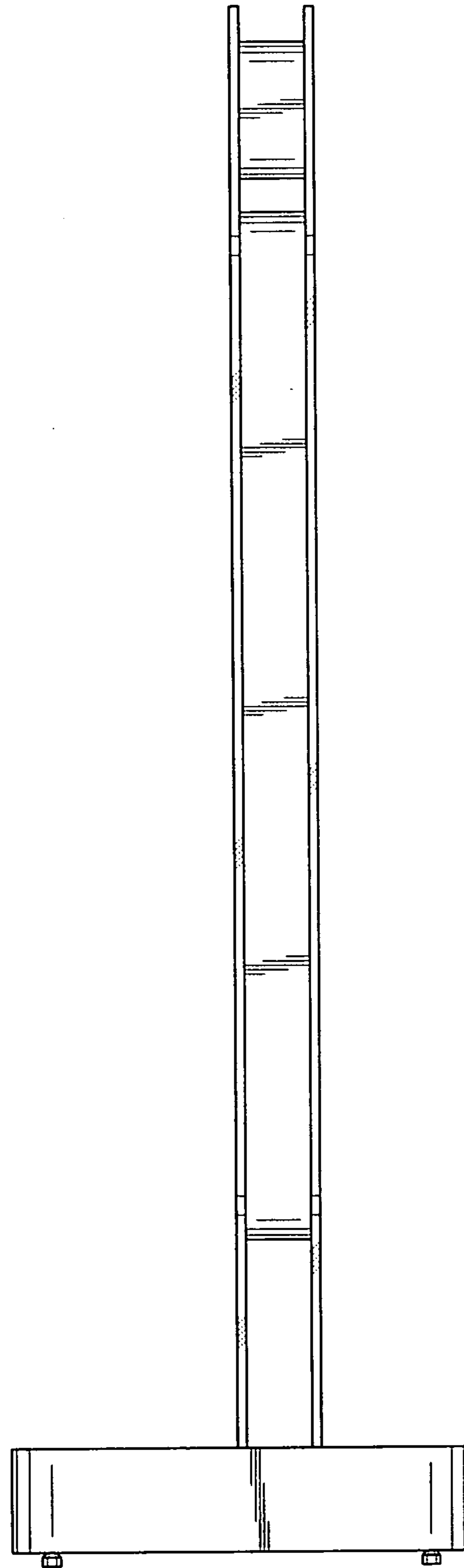


FIG. 5

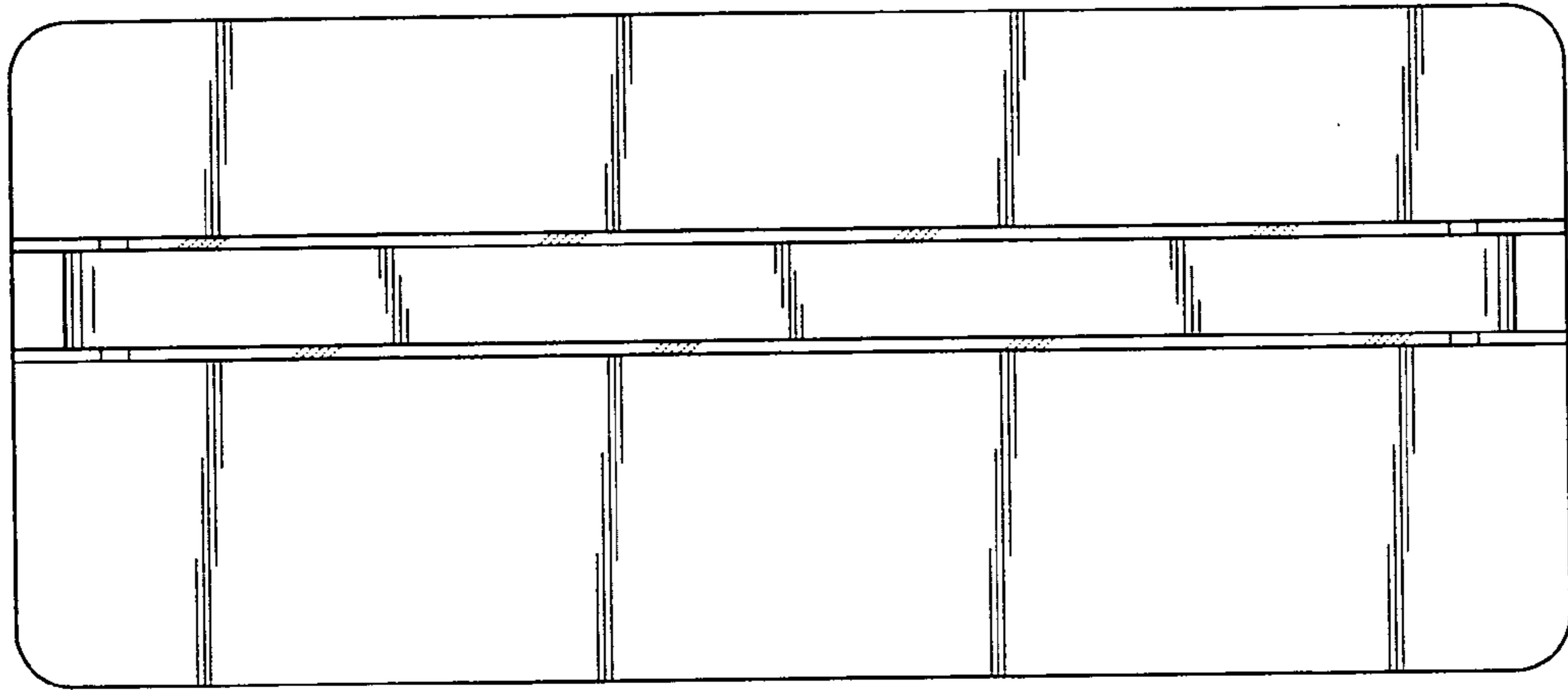


FIG. 6

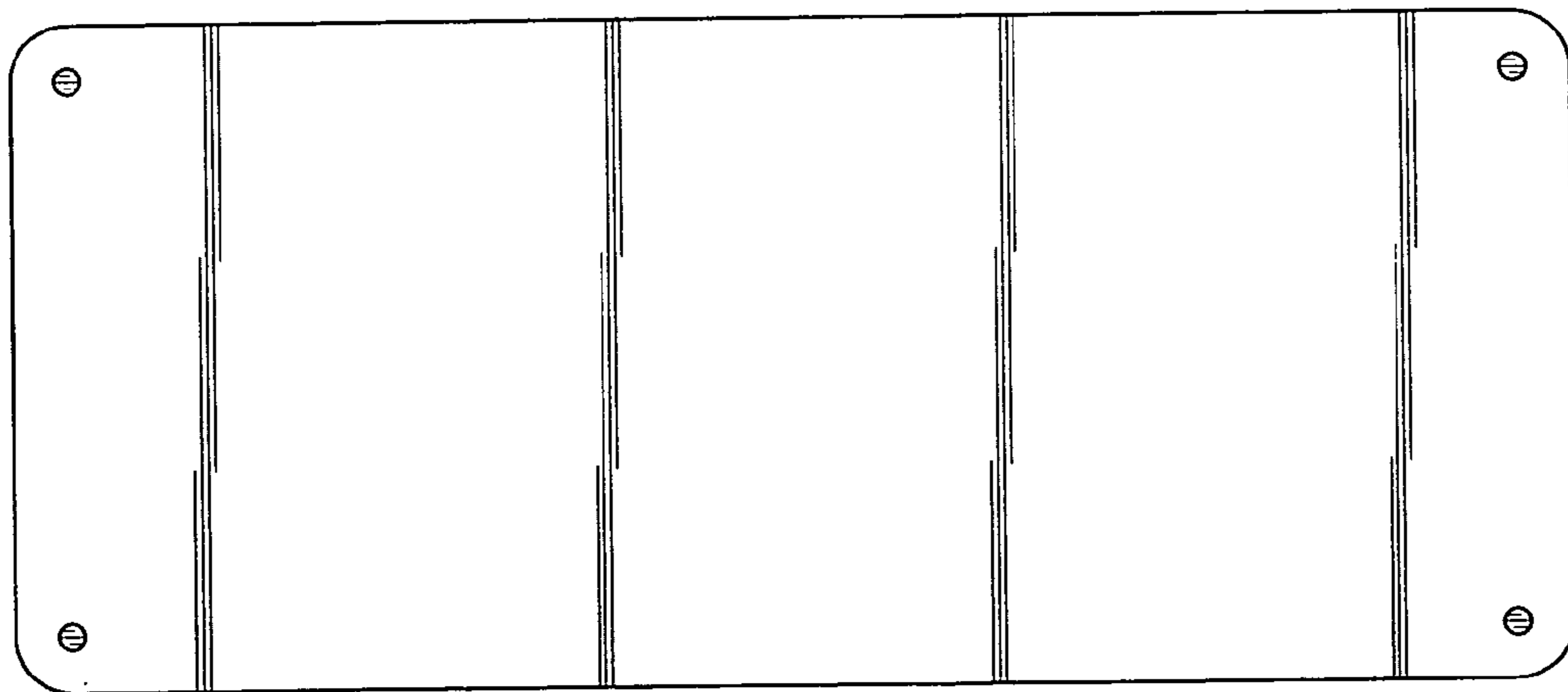


FIG. 7