



US00D635128S

(12) **United States Design Patent**
Huang et al.

(10) **Patent No.:** **US D635,128 S**
(45) **Date of Patent:** **** Mar. 29, 2011**

(54) **MULTI-BAND ANTENNA**
(75) Inventors: **Yi-Feng Huang**, Taipei (TW); **Jia-Hung Su**, Taipei (TW); **Yung-Chih Tsai**, Taipei (TW); **Kai Shih**, Taipei (TW); **Feng-Ming Hsu**, Taipei (TW)
(73) Assignee: **Cheng Uei Precision Industry Co., Ltd.**, Taipei (TW)

D606,053	S	*	12/2009	Wu et al.	D14/230
D606,055	S	*	12/2009	Wu et al.	D14/230
D608,354	S	*	1/2010	Yang et al.	D14/230
2007/0030203	A1	*	2/2007	Tsai et al.	343/702
2009/0002244	A1	*	1/2009	Woo	343/702
2009/0146906	A1	*	6/2009	Anguera Pros et al.	343/906
2010/0013715	A1	*	1/2010	Yu et al.	343/700 MS
2010/0123628	A1	*	5/2010	Su et al.	343/700 MS
2010/0141537	A1	*	6/2010	Kim et al.	343/702

* cited by examiner

(**) Term: **14 Years**

Primary Examiner — Celia A Murphy
Assistant Examiner — John Windmuller

(21) Appl. No.: **29/380,031**

(22) Filed: **Nov. 30, 2010**

(57) **CLAIM**

(51) **LOC (9) Cl.** **14-03**

The ornamental design for a multi-band antenna, as shown and described.

(52) **U.S. Cl.** **D14/230**

(58) **Field of Classification Search** D14/138,
D14/230-238, 299, 358; D12/42, 43; 343/700 MS,
343/700 R-705, 711-713, 741, 748, 767,
343/795, 819, 840, 846, 866, 871-908; 455/90.2,
455/90.3, 91, 128, 269, 344, 347, 562.1;
333/193, 195

DESCRIPTION

See application file for complete search history.

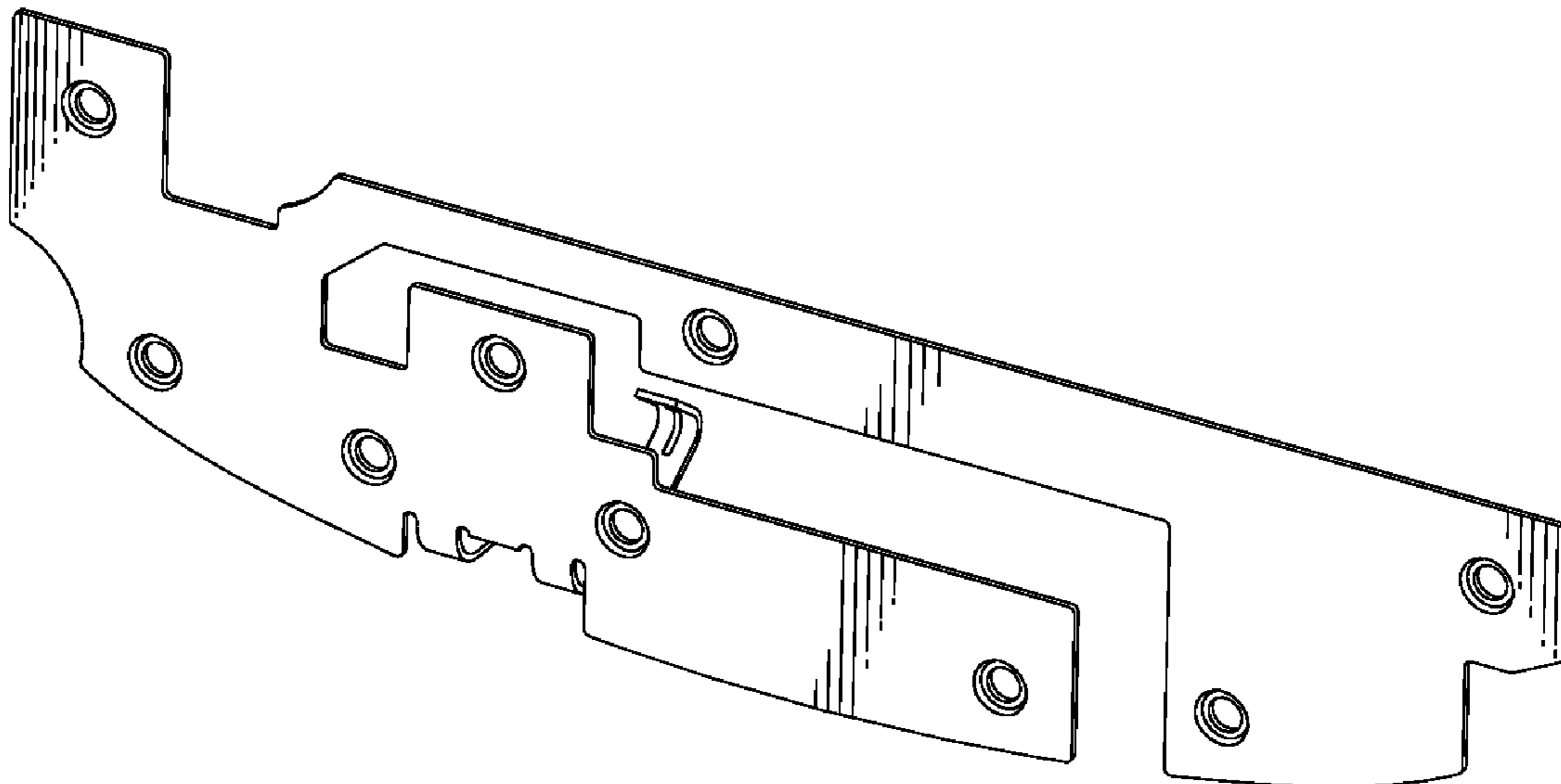
FIG. 1 is a perspective view of a multi-band antenna showing our new design;
FIG. 2 is a front elevational view thereof;
FIG. 3 is a rear elevational view thereof;
FIG. 4 is a left side elevational view thereof;
FIG. 5 is a right side elevational view thereof;
FIG. 6 is a top plan view thereof; and,
FIG. 7 is a bottom plan view thereof.

(56) **References Cited**

U.S. PATENT DOCUMENTS

D599,334	S	*	9/2009	Chiang	D14/230
D603,850	S	*	11/2009	Wu et al.	D14/230

1 Claim, 7 Drawing Sheets



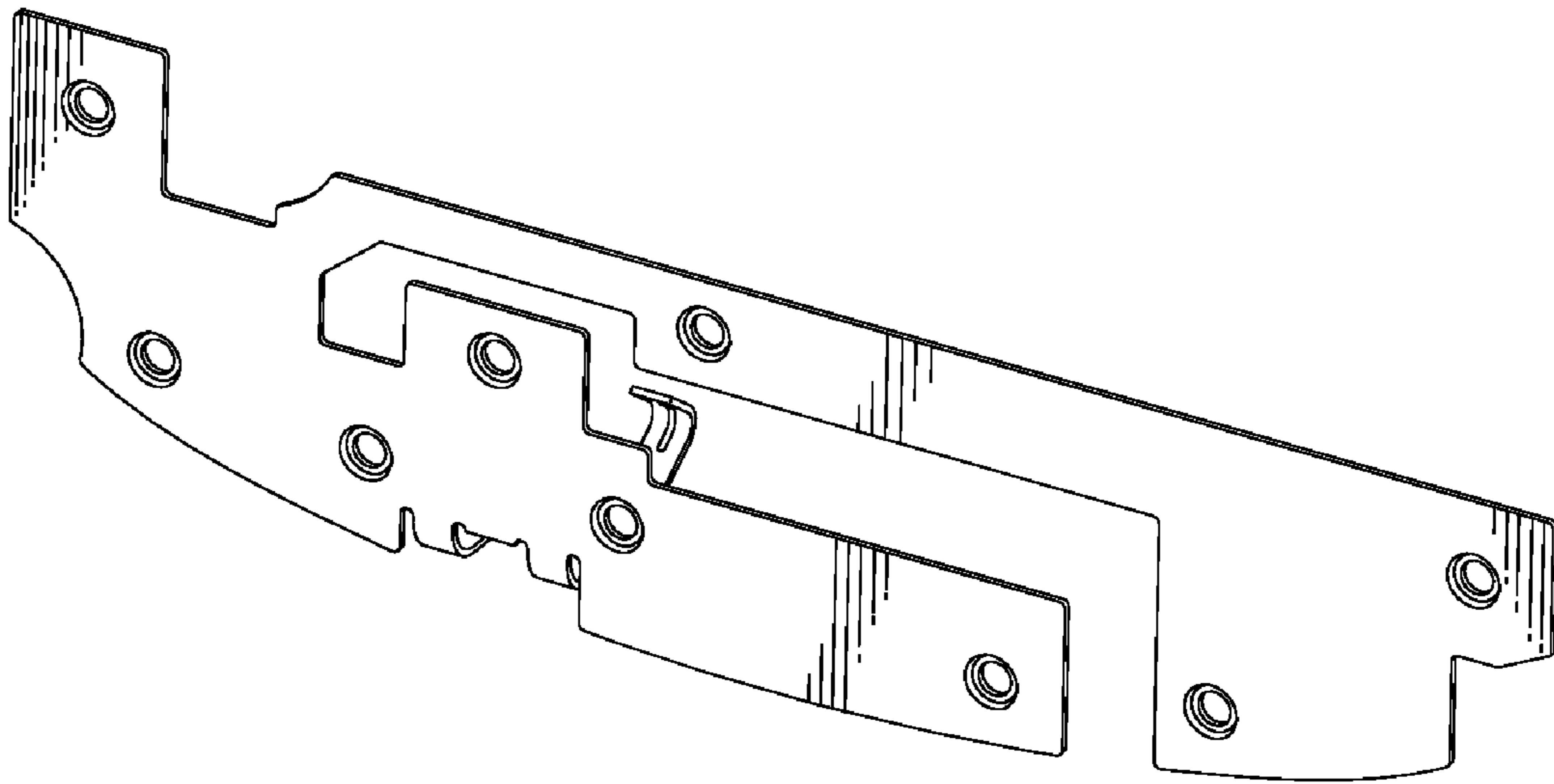


FIG. 1

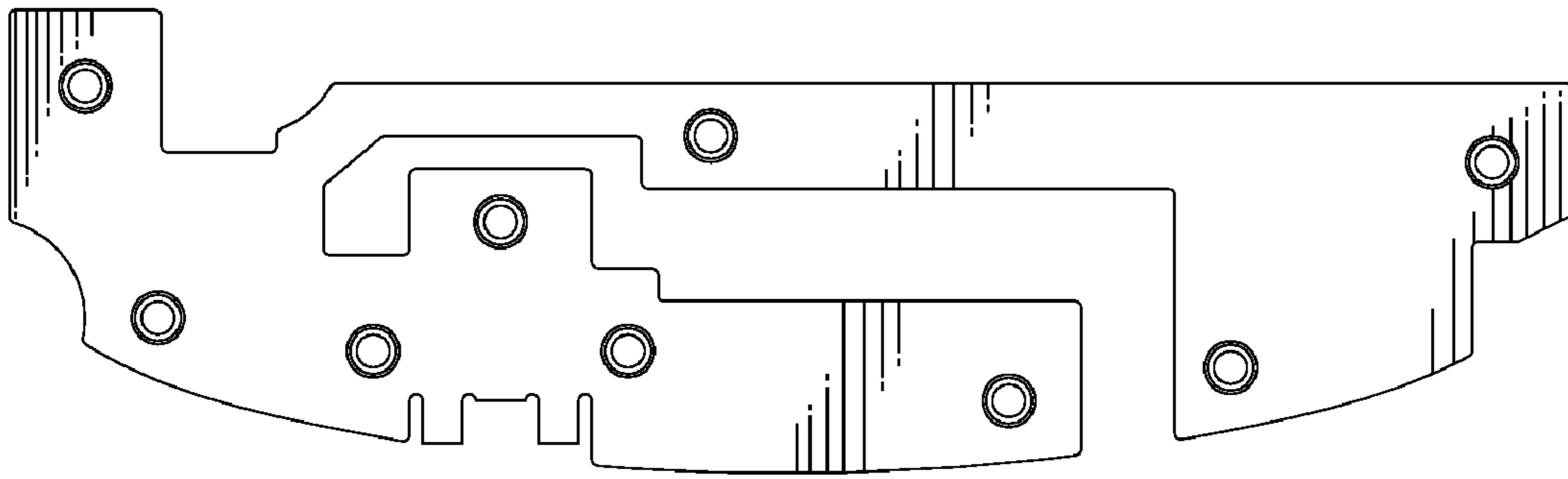


FIG. 2

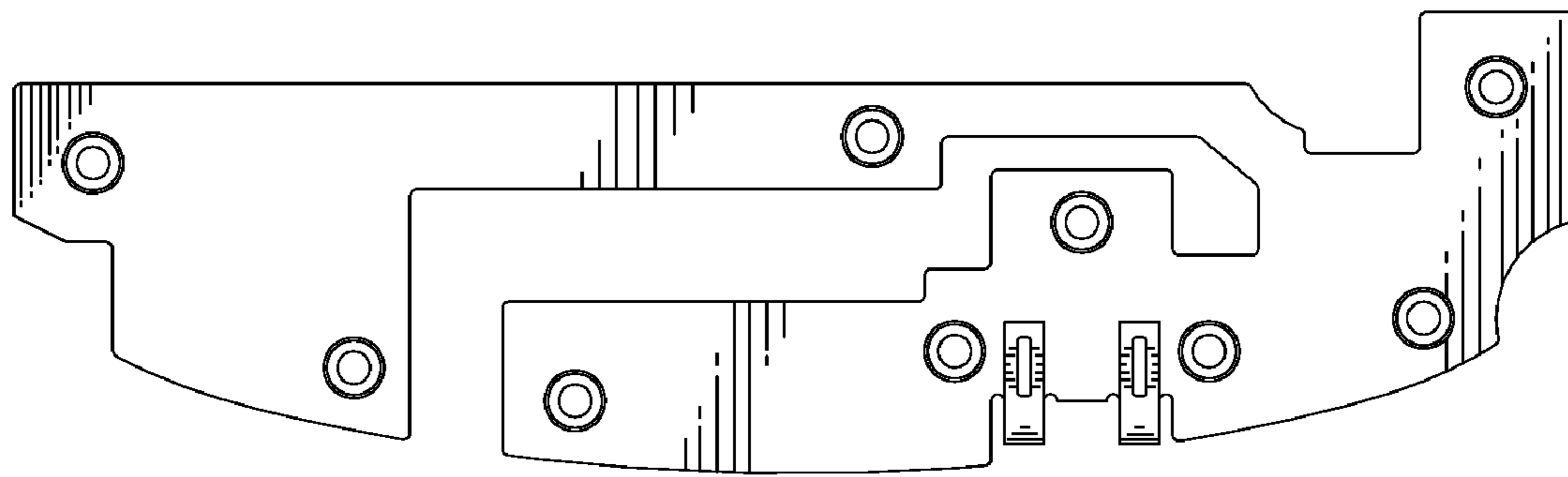


FIG. 3

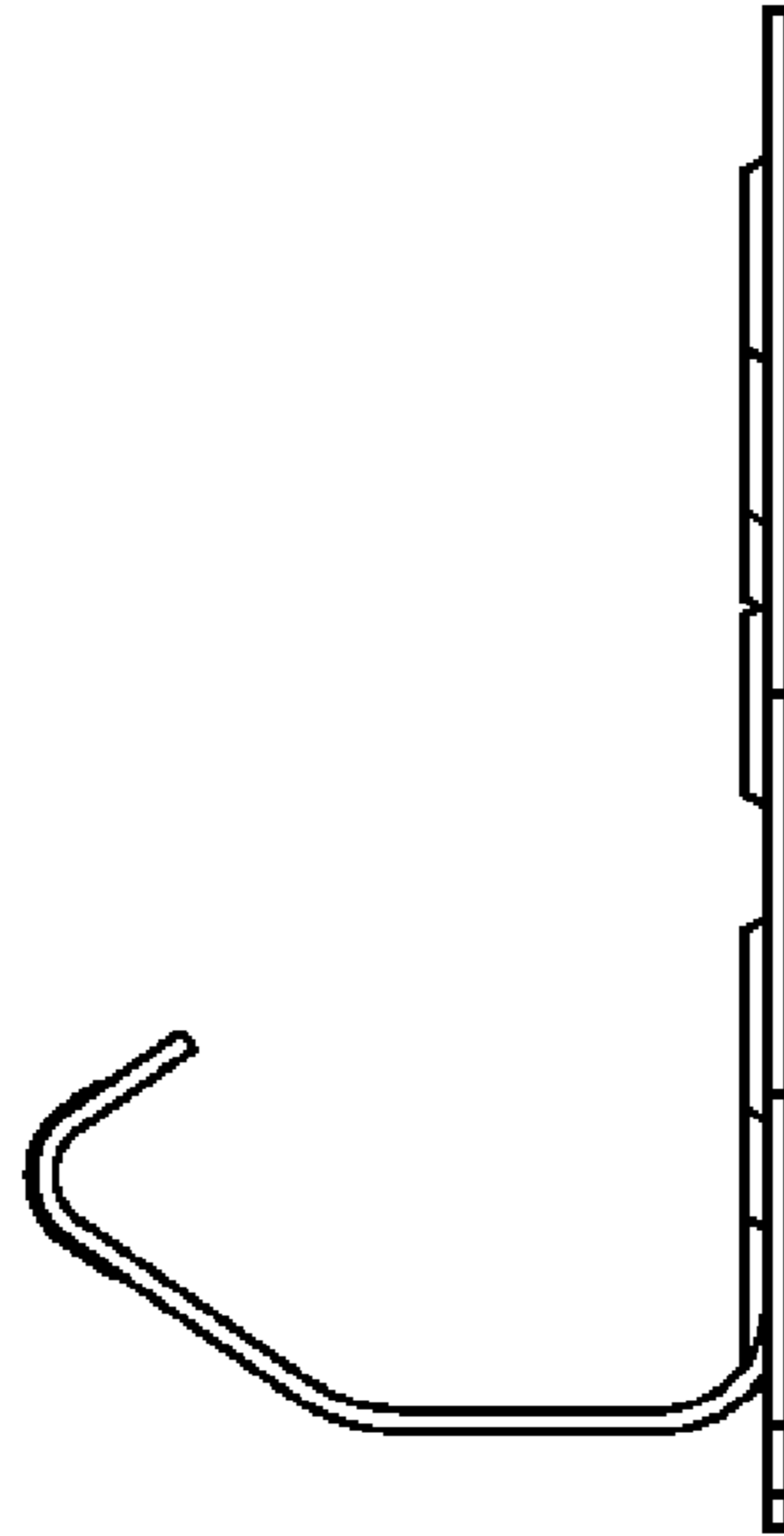


FIG. 4

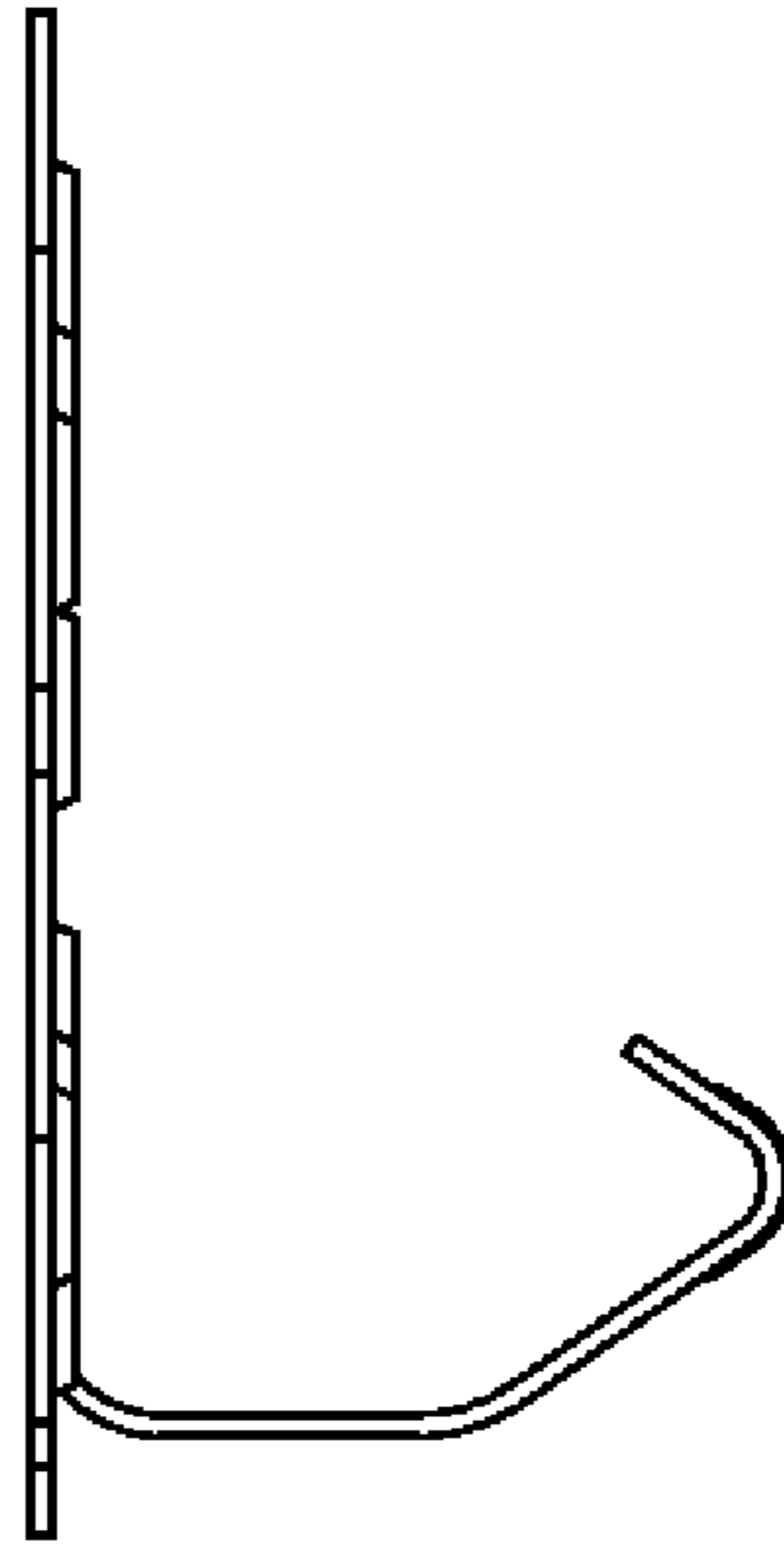


FIG. 5



FIG. 6

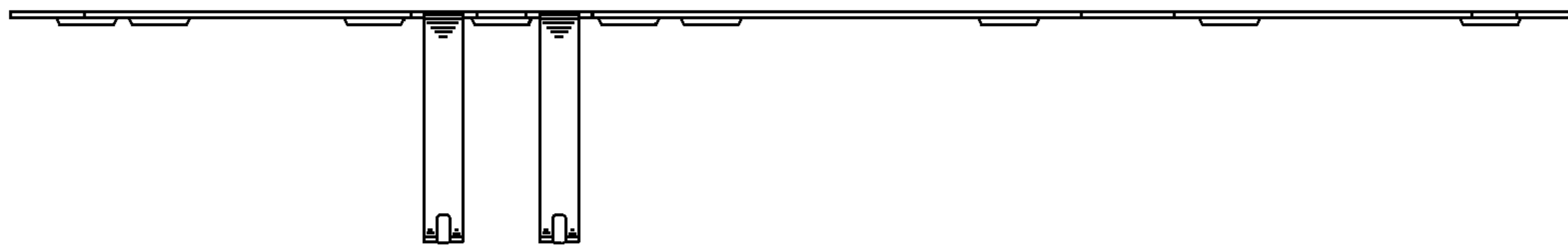


FIG. 7