

US00D635125S

(12) **United States Design Patent**  
**Nousiainen**

(10) **Patent No.:** **US D635,125 S**  
(45) **Date of Patent:** **\*\* Mar. 29, 2011**

(54) **HEADSET**

(75) Inventor: **Esa Nousiainen**, Vantaa (FI)

(73) Assignee: **Nokia Corporation**, Espoo (FI)

(\*\*) Term: **14 Years**

(21) Appl. No.: **29/364,411**

(22) Filed: **Jun. 23, 2010**

(51) **LOC (9) Cl.** ..... **14-01**

(52) **U.S. Cl.** ..... **D14/223**

(58) **Field of Classification Search** ..... D14/205,  
D14/206, 223; 379/430, 431, 433.01, 433.03;  
381/370, 380, 381; 24/66.8; 455/575.1,  
455/575.6, 575.3, 569.1, 90.3

See application file for complete search history.

(56) **References Cited**

**U.S. PATENT DOCUMENTS**

D553,613 S	10/2007	Sade et al.	
D558,740 S *	1/2008	Jaakkola et al. ....	D14/223
D566,103 S	4/2008	Sade et al.	
D566,692 S	4/2008	Sade et al.	
D574,367 S	8/2008	Jaakkola et al.	
D575,276 S	8/2008	Bradford et al.	
D576,609 S	9/2008	Bradford et al.	
D576,611 S *	9/2008	Wilson et al. ....	D14/225
D579,925 S	11/2008	Jaakkola et al.	
D583,805 S	12/2008	Jaakkola et al.	
D587,682 S *	3/2009	Miles .....	D14/205
D590,814 S	4/2009	Bradford	
D592,191 S *	5/2009	Nousiainen et al. ....	D14/223
D595,262 S *	6/2009	Nousiainen .....	D14/206
D605,168 S *	12/2009	Jaakkola et al. ....	D14/205

D606,050 S	12/2009	Nousiainen	
D608,766 S	1/2010	Brickstad	
D608,767 S *	1/2010	Liner .....	D14/225
D610,575 S	2/2010	Brickstad	
D611,935 S *	3/2010	Wikel et al. ....	D14/223
D613,273 S *	4/2010	Liner et al. ....	D14/223

**OTHER PUBLICATIONS**

Nokia BH 100, Nokia Corporation, 1 color sheet of photographs, disclosed on or about Q1 2007.

Nokia BH 101, Nokia Corporation, 1 color sheet of photographs, disclosed on or about Q1 2007.

\* cited by examiner

*Primary Examiner* — Paula Greene

(74) *Attorney, Agent, or Firm* — Banner & Witcoff, Ltd

(57) **CLAIM**

The ornamental design for a headset, as shown and described.

**DESCRIPTION**

FIG. 1 is a perspective front view of a headset showing my new design;

FIG. 2 is a front view thereof;

FIG. 3 is a rear view thereof;

FIG. 4 is a left side view thereof;

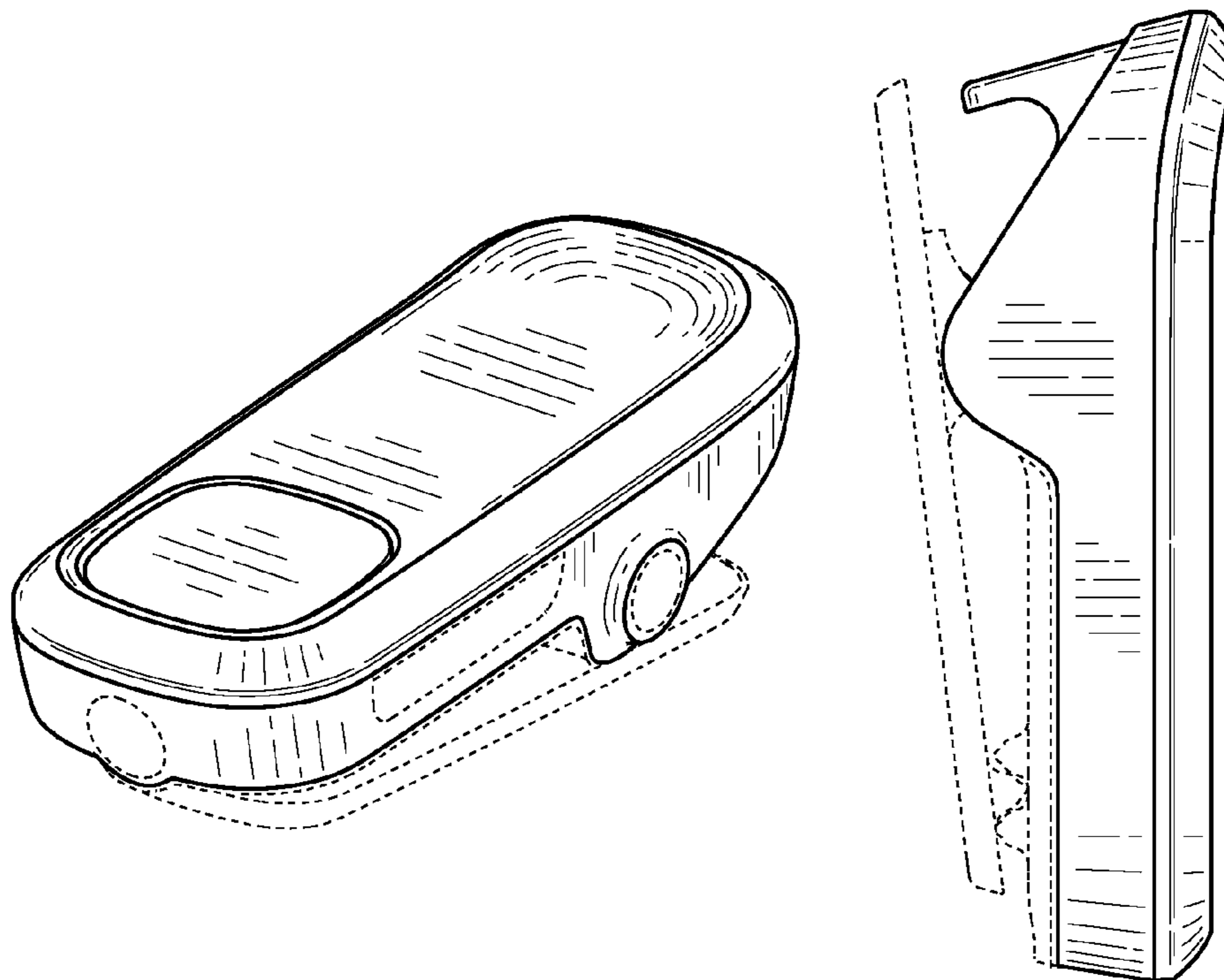
FIG. 5 is a right side view thereof;

FIG. 6 is a bottom view thereof; and,

FIG. 7 is a top view thereof.

The broken line showing of the environmental structure of the headset in FIGS. 1-7 is for illustrative purposes only and forms no part of the claimed design.

**1 Claim, 2 Drawing Sheets**



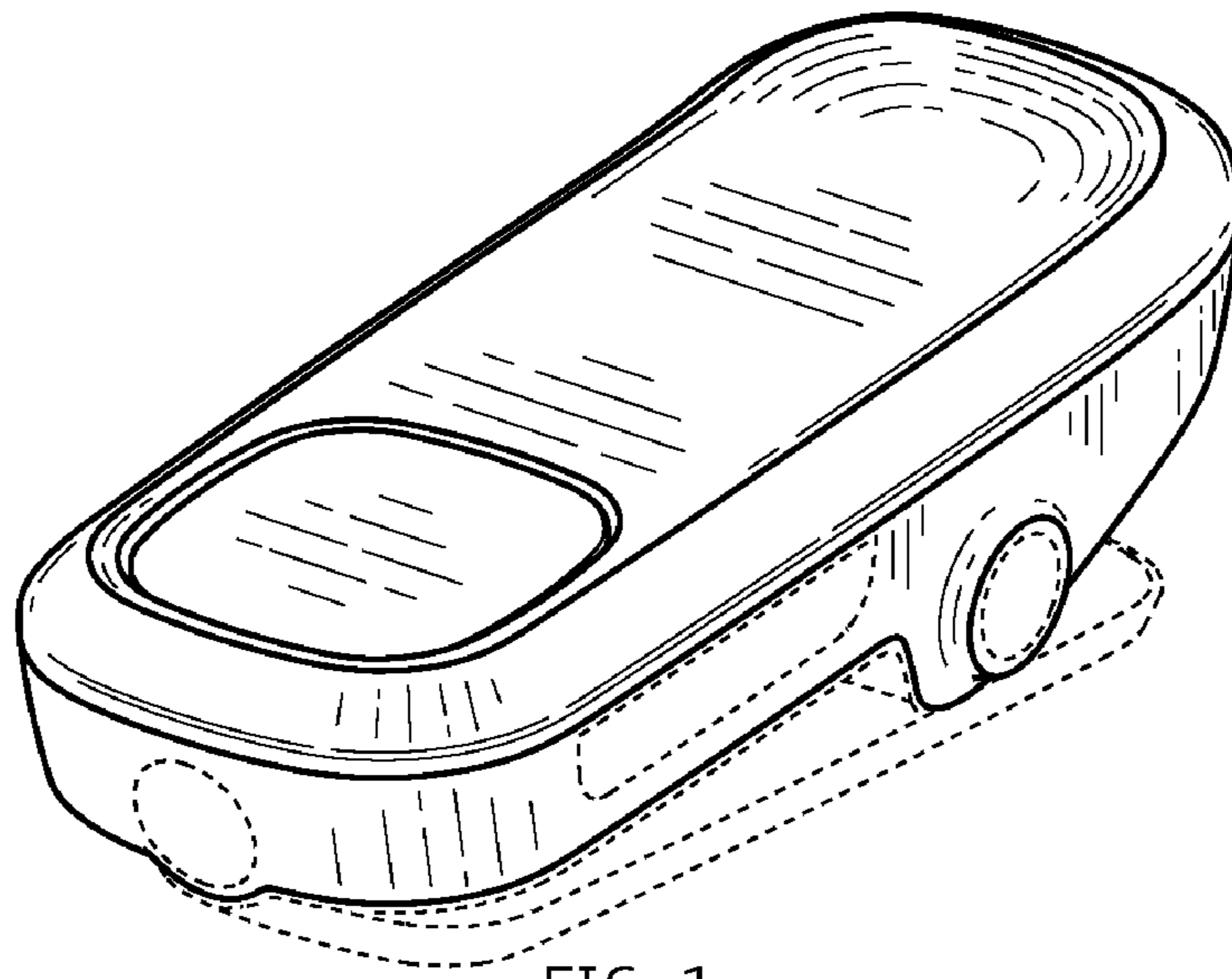


FIG. 1

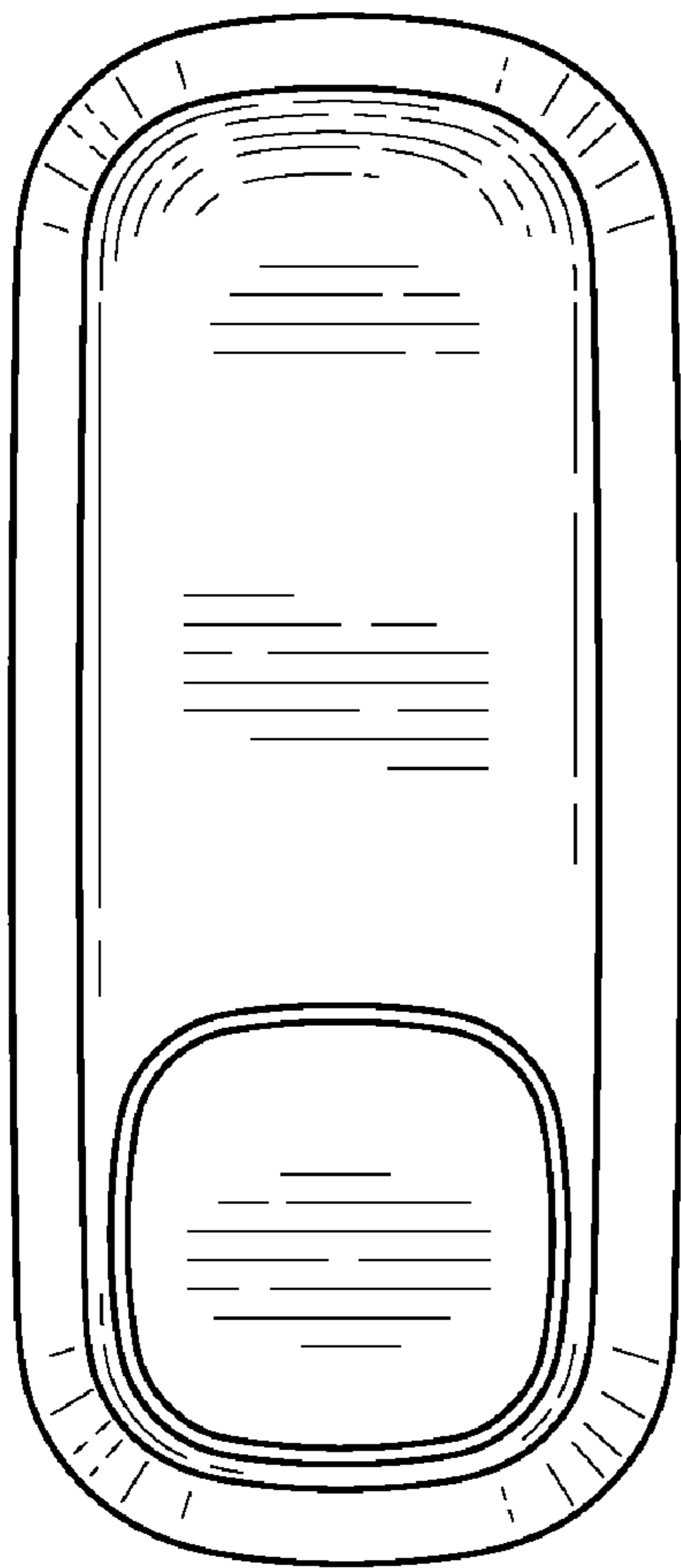


FIG. 2

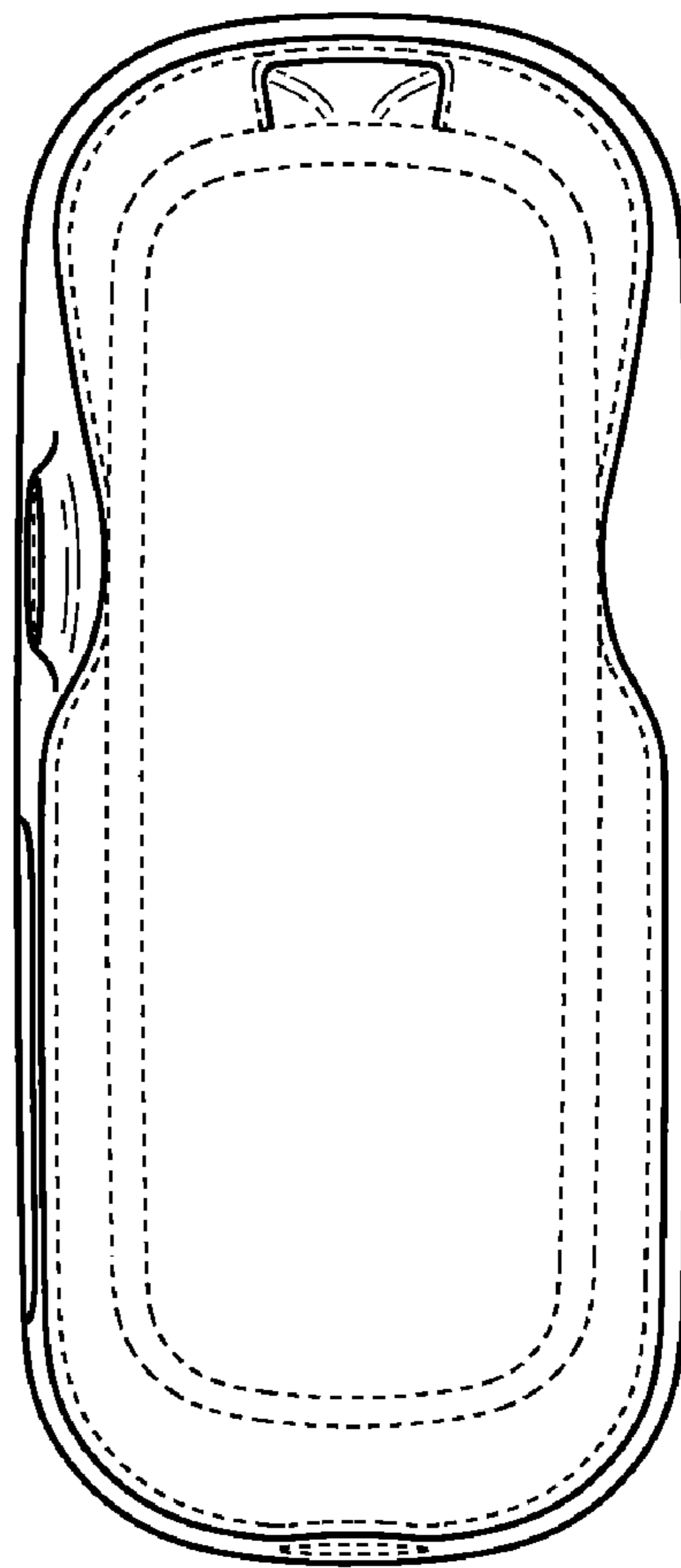


FIG. 3

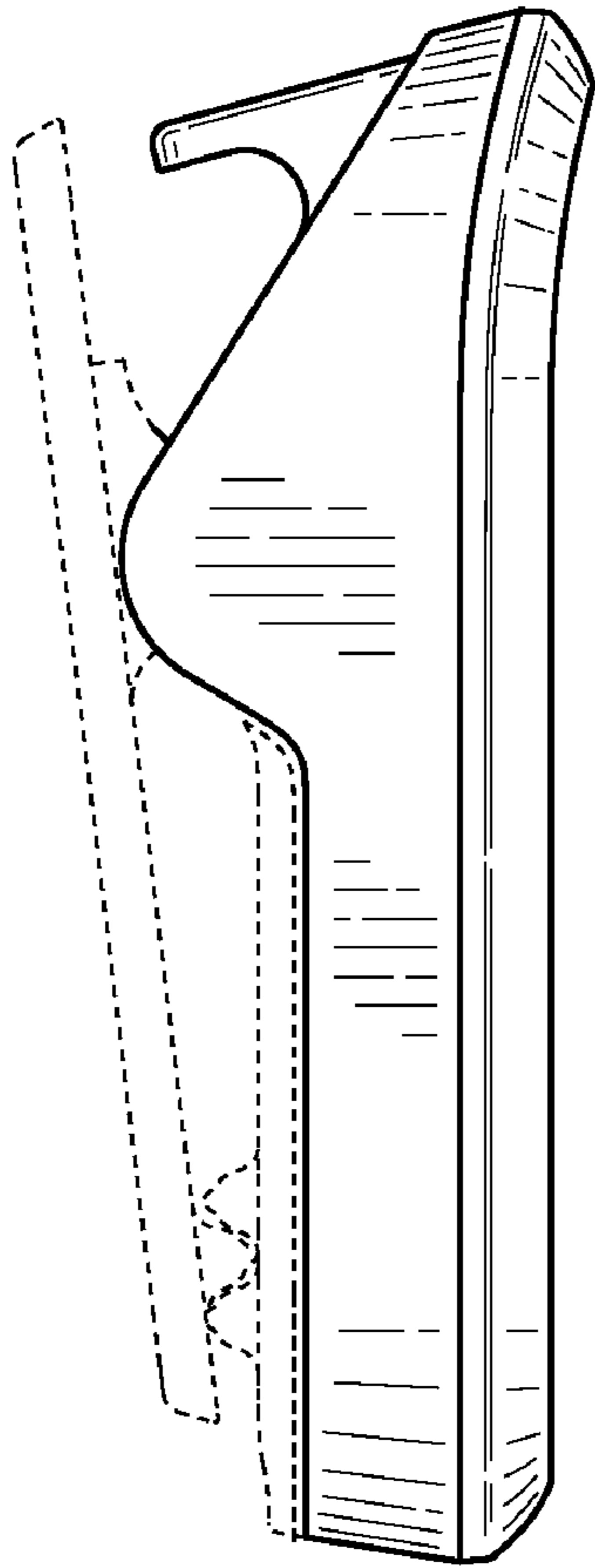


FIG. 4

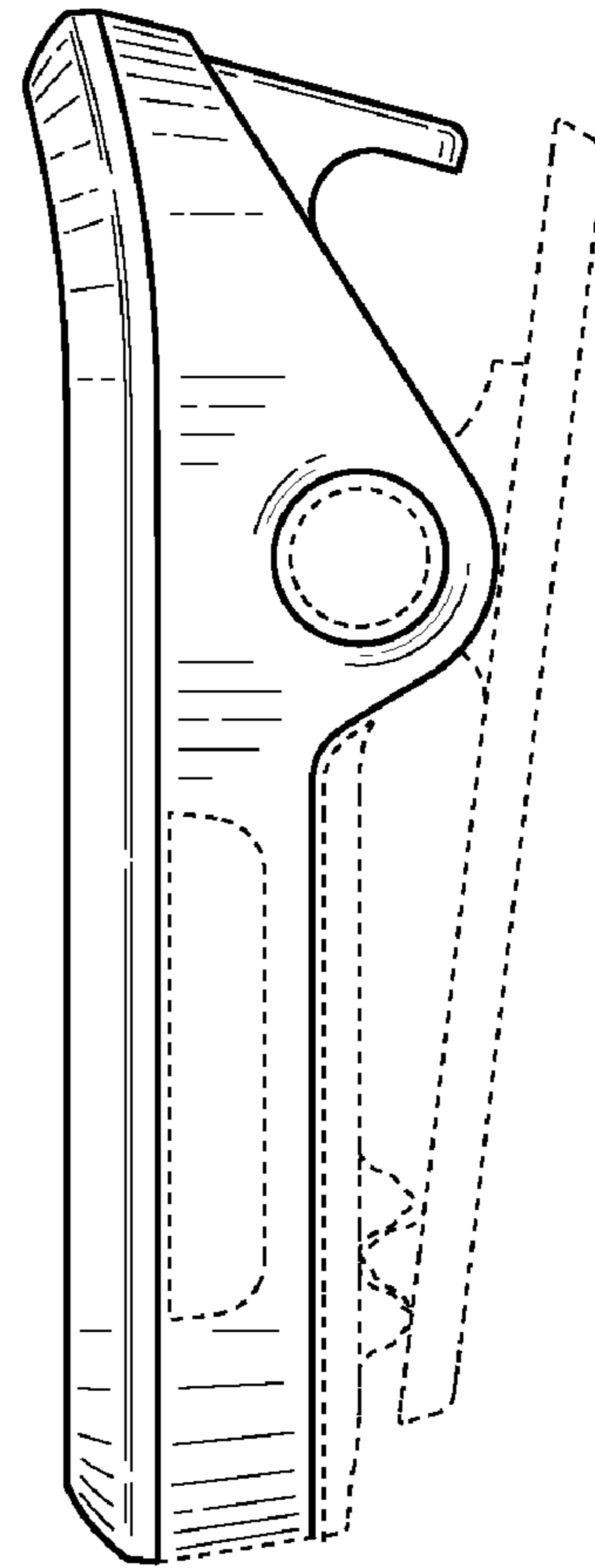


FIG. 5

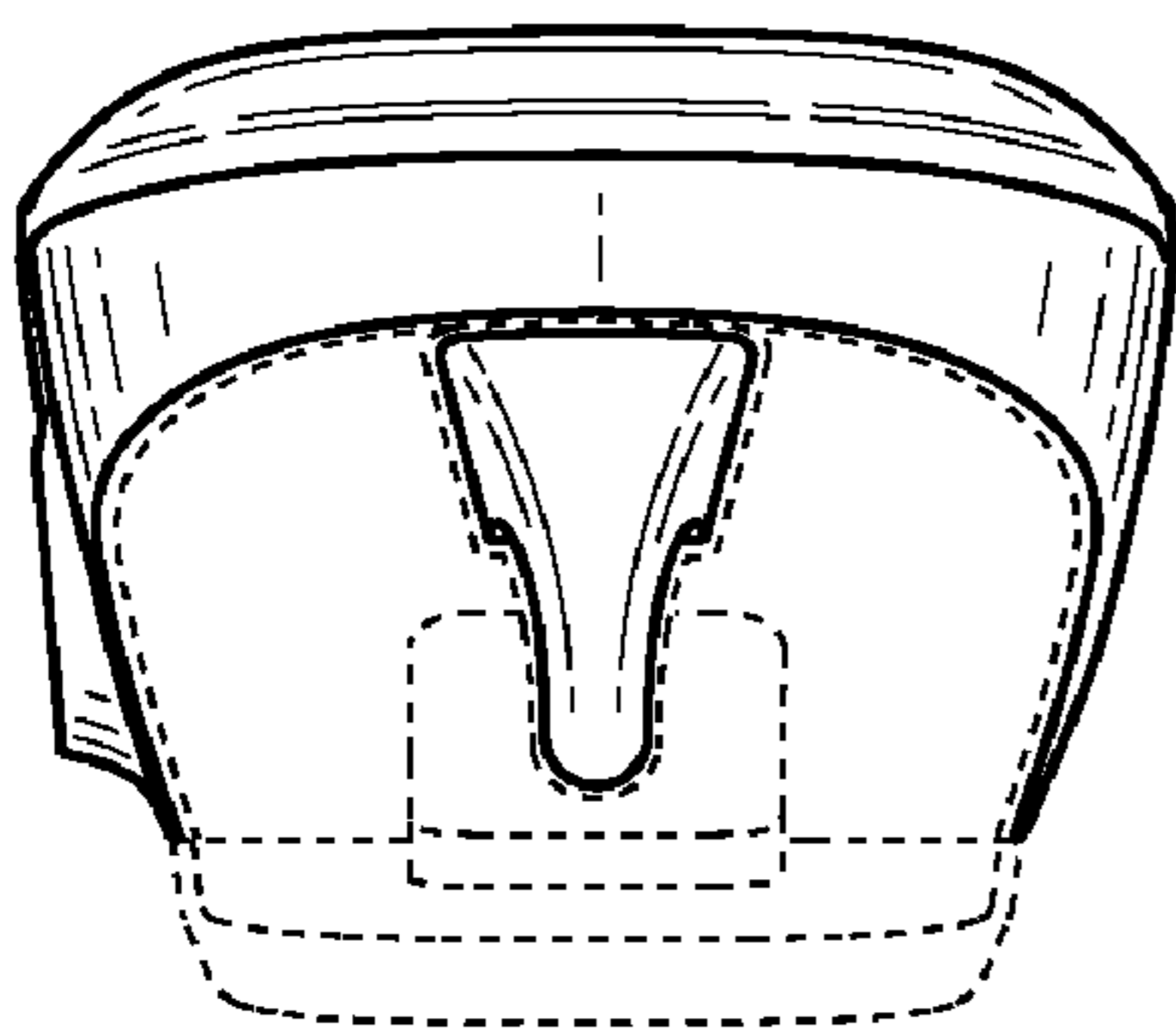


FIG. 6

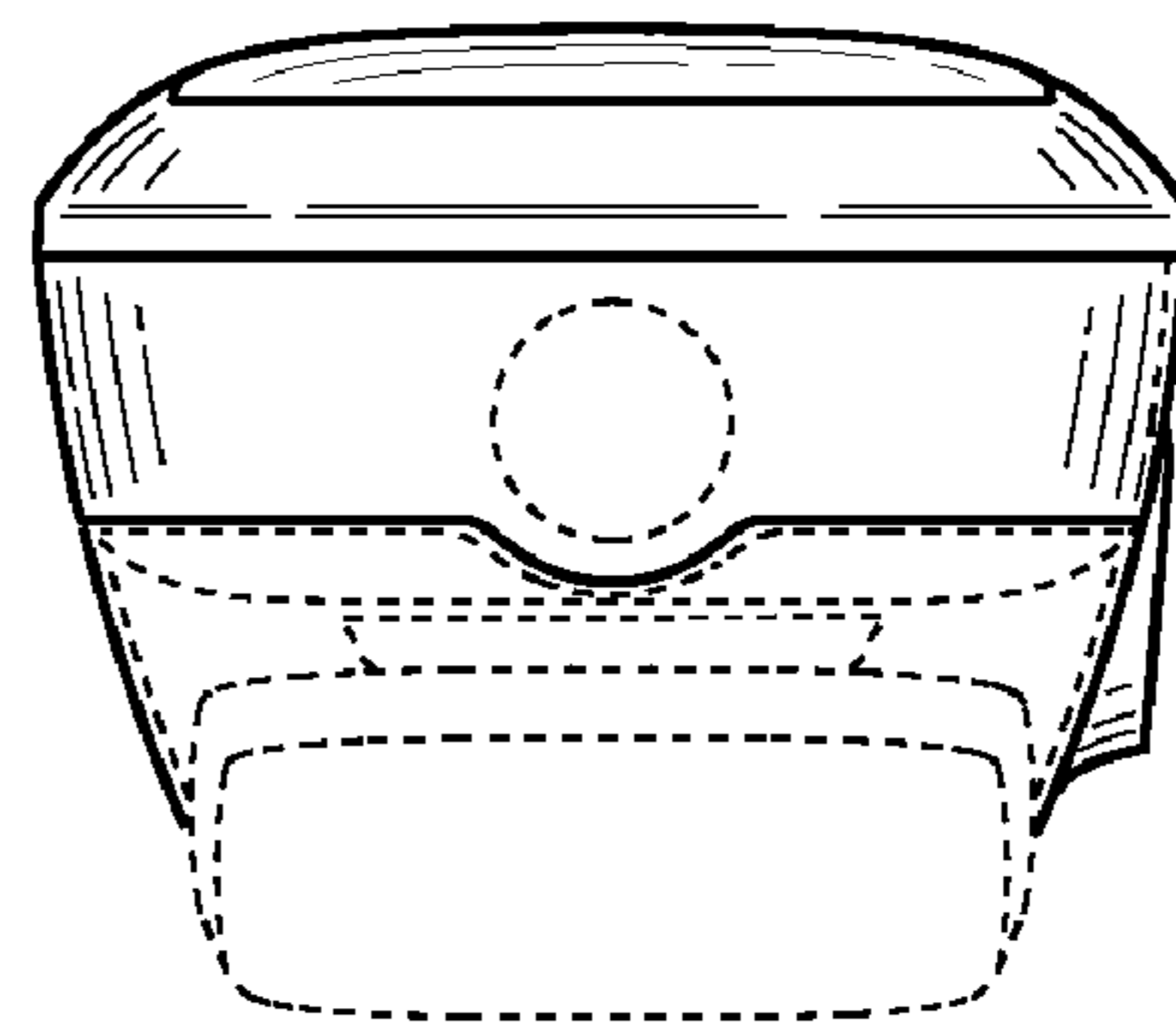


FIG. 7