



US00D635124S

(12) **United States Design Patent**
Morimoto

(10) **Patent No.:** **US D635,124 S**
(45) **Date of Patent:** **** Mar. 29, 2011**

(54) **HEADPHONE**

(75) Inventor: **So Morimoto**, Tokyo (JP)

(73) Assignee: **Sony Corporation**, Tokyo (JP)

(**) Term: **14 Years**

(21) Appl. No.: **29/347,461**

(22) Filed: **Jan. 27, 2010**

(30) **Foreign Application Priority Data**

Aug. 12, 2009 (CN) 2009 3 0190311

(51) **LOC (9) Cl.** **14-01**

(52) **U.S. Cl.** **D14/205**

(58) **Field of Classification Search** D14/205,
D14/206, 223; 181/129, 130, 135; 379/430,
379/433.01; 381/371, 379, 380, 381, 378,
381/370; 2/209, 425; D29/112

See application file for complete search history.

(56) **References Cited**

U.S. PATENT DOCUMENTS

1,558,191	A *	10/1925	Lindemann	181/129
2,149,341	A *	3/1939	Harrison	381/379
2,474,386	A *	6/1949	Volkman	381/378
2,593,892	A *	4/1952	Kindel	181/129
2,858,544	A *	11/1958	Roth	2/209
3,311,713	A *	3/1967	Knuebel	381/375
3,445,597	A *	5/1969	Warren	379/430
D262,019	S *	11/1981	Upshaw	D14/205
4,437,538	A *	3/1984	Ohlsson et al.	181/129
4,471,496	A *	9/1984	Gardner et al.	2/209
4,571,746	A *	2/1986	Görike	
D286,772	S *	11/1986	Pope	D14/205
D292,205	S *	10/1987	Kikutani	D14/205
4,783,822	A *	11/1988	Toole et al.	381/379
5,551,090	A *	9/1996	Thompson	2/209
5,809,573	A *	9/1998	Bary	2/209

D457,512	S	5/2002	Yoneda	
D484,868	S	1/2004	Suzuki	
D512,417	S *	12/2005	Hirakawa et al. D14/223
6,980,666	B1 *	12/2005	Owen 381/371
D539,267	S *	3/2007	Komiyama D14/205
D540,301	S *	4/2007	Obata D14/205
7,356,362	B2 *	4/2008	Chang et al. 455/575.2
RE40,318	E	5/2008	Yoneda	
D588,100	S	3/2009	Densho et al.	
D591,263	S *	4/2009	Shimizu D14/205
D592,181	S	5/2009	Komiyama	
D592,638	S	5/2009	Komiyama	
D609,694	S *	2/2010	Komiyama D14/205
D620,474	S *	7/2010	Komiyama D14/205
D625,709	S *	10/2010	Yamamoto D14/223

FOREIGN PATENT DOCUMENTS

JP	D1124110	10/2001
JP	D1175394	6/2003

* cited by examiner

Primary Examiner — Paula Greene

(74) *Attorney, Agent, or Firm* — Rader, Fishman & Grauer PLLC

(57) **CLAIM**

The ornamental design for a headphone, as shown and described.

DESCRIPTION

FIG. 1 is a perspective view of a headphone showing my new design;
FIG. 2 is a front elevational view thereof;
FIG. 3 is a rear elevational view thereof;
FIG. 4 is a left side elevational view thereof;
FIG. 5 is a right side elevational view thereof;
FIG. 6 is a top plan view thereof; and,
FIG. 7 is a bottom plan view thereof.
Portions in broken lines are for illustrative purpose only and form no part of the claimed design.

1 Claim, 5 Drawing Sheets

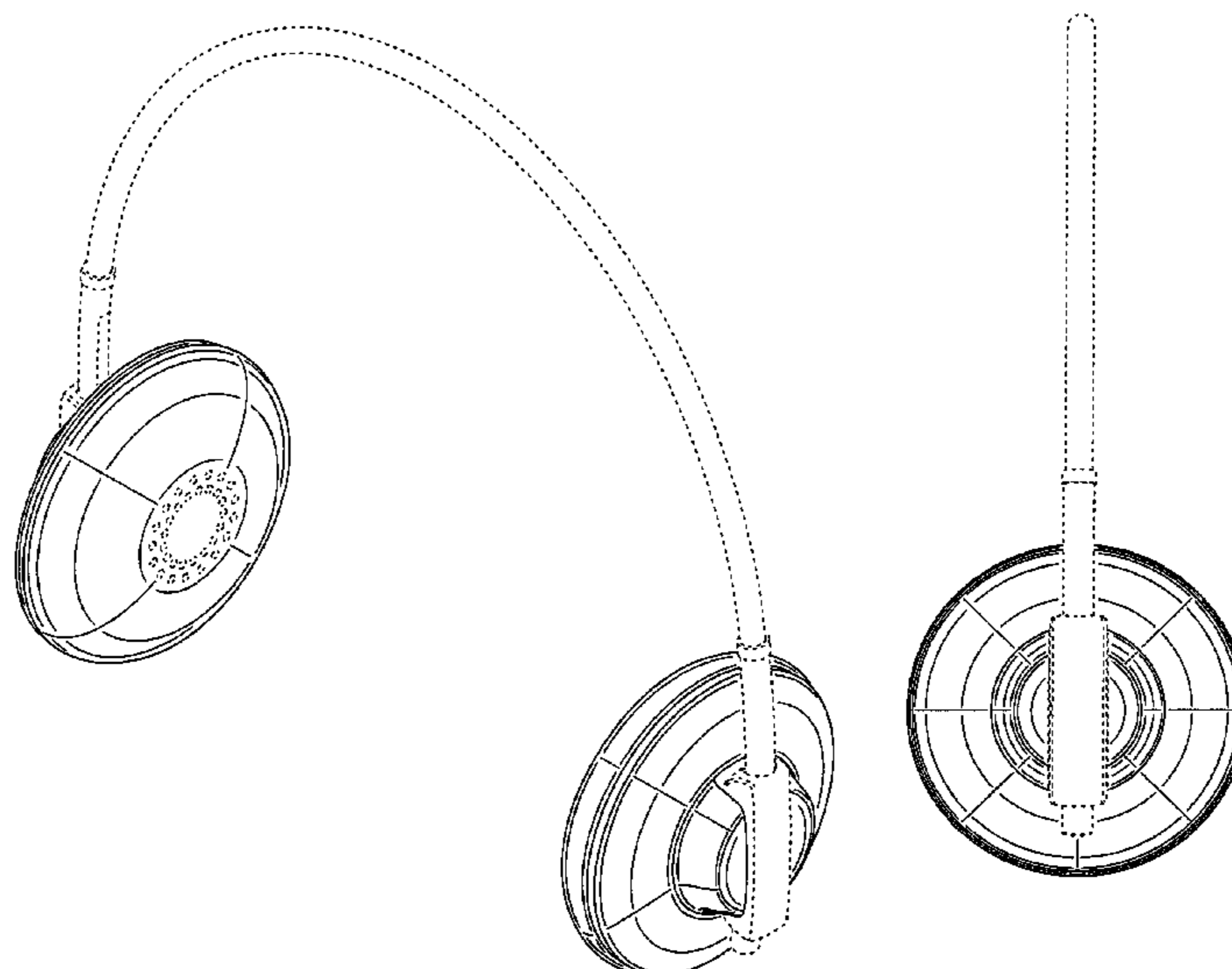


FIG. 1

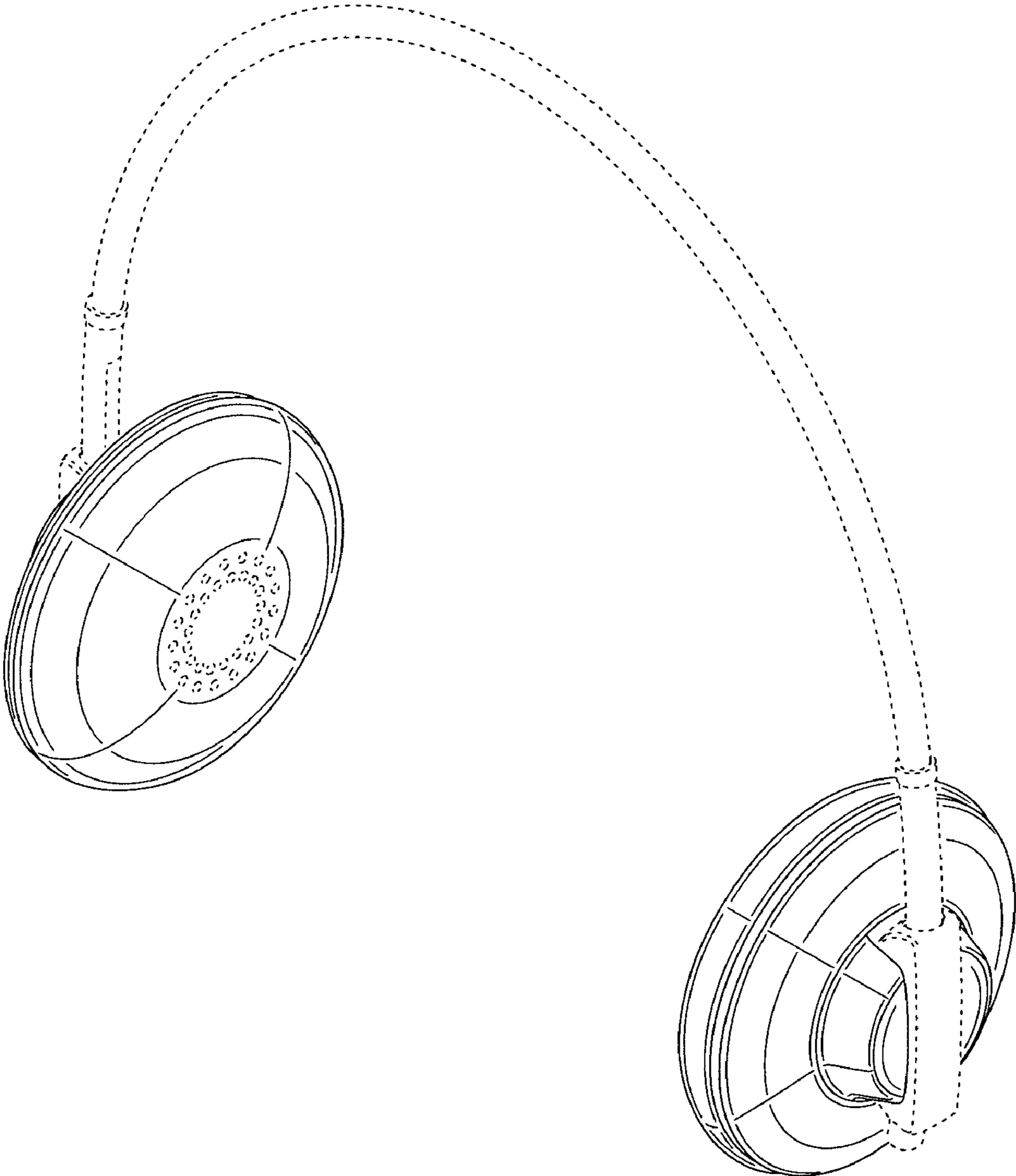


FIG.2

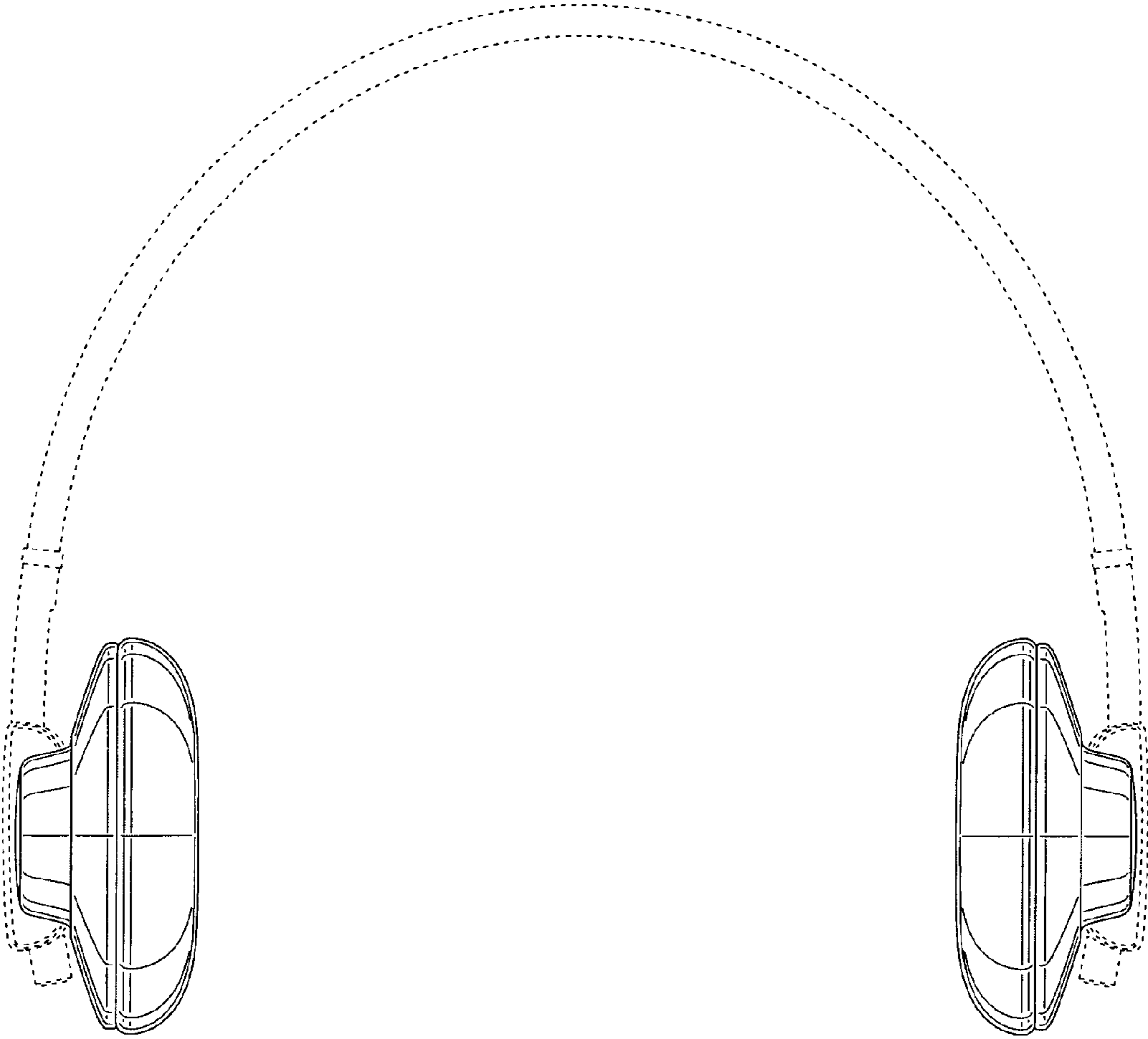


FIG.3

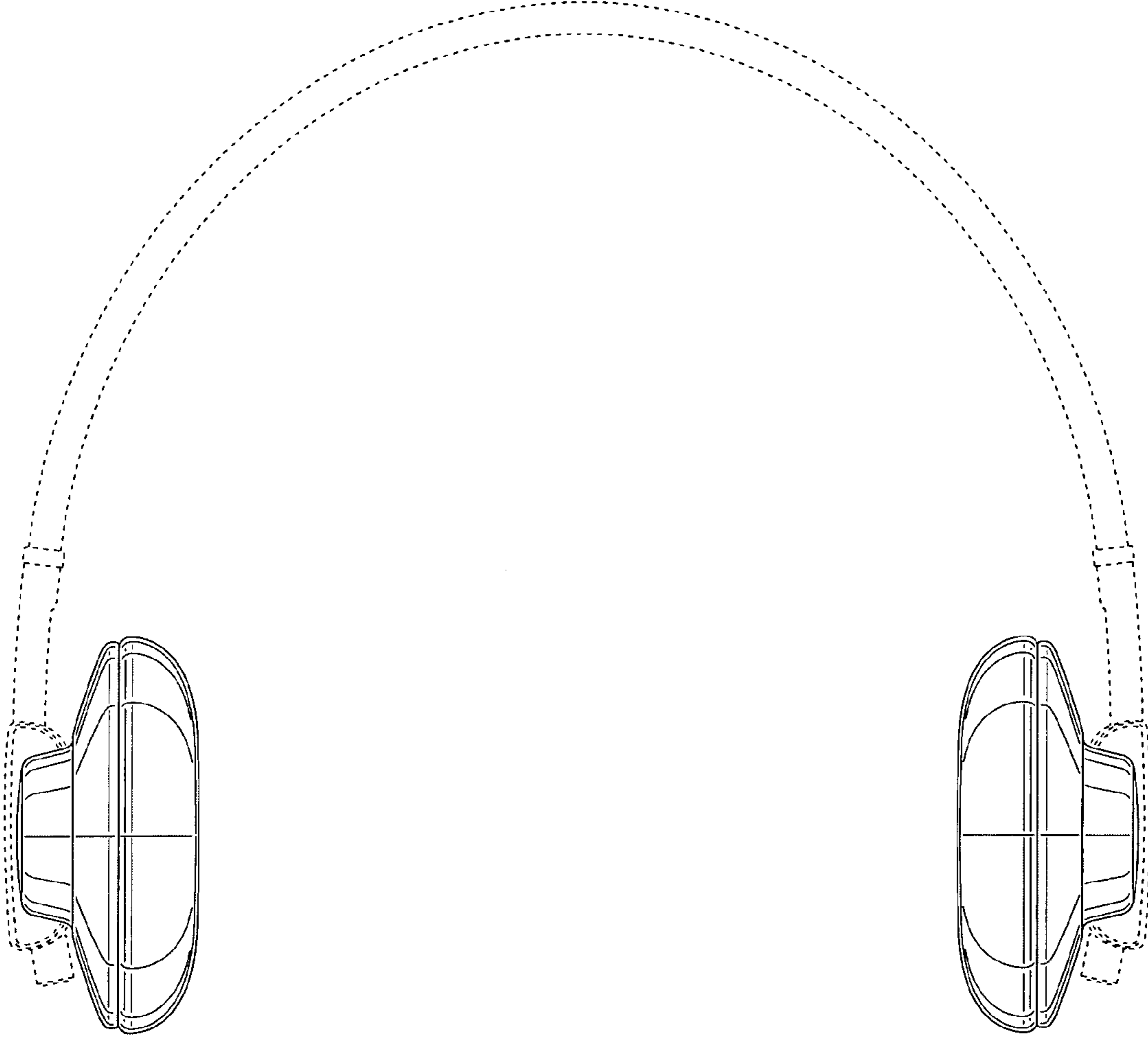


FIG.4

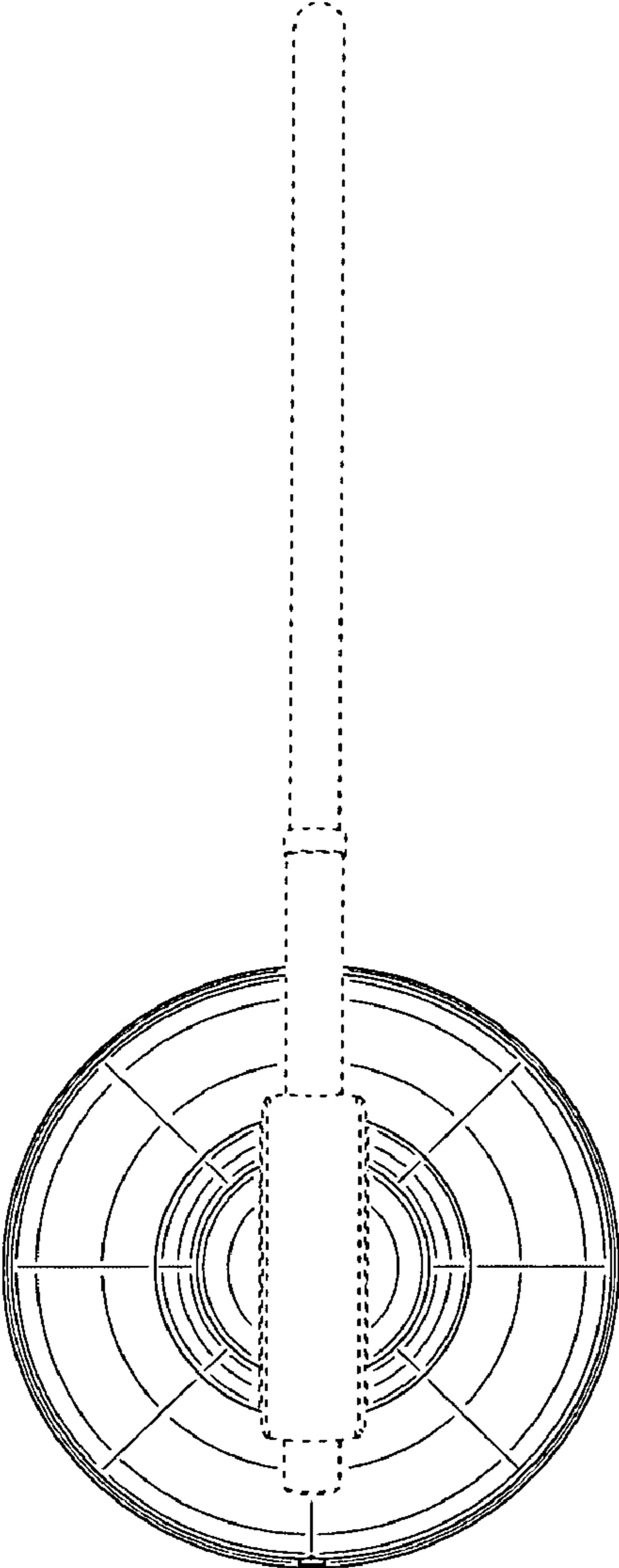


FIG.5

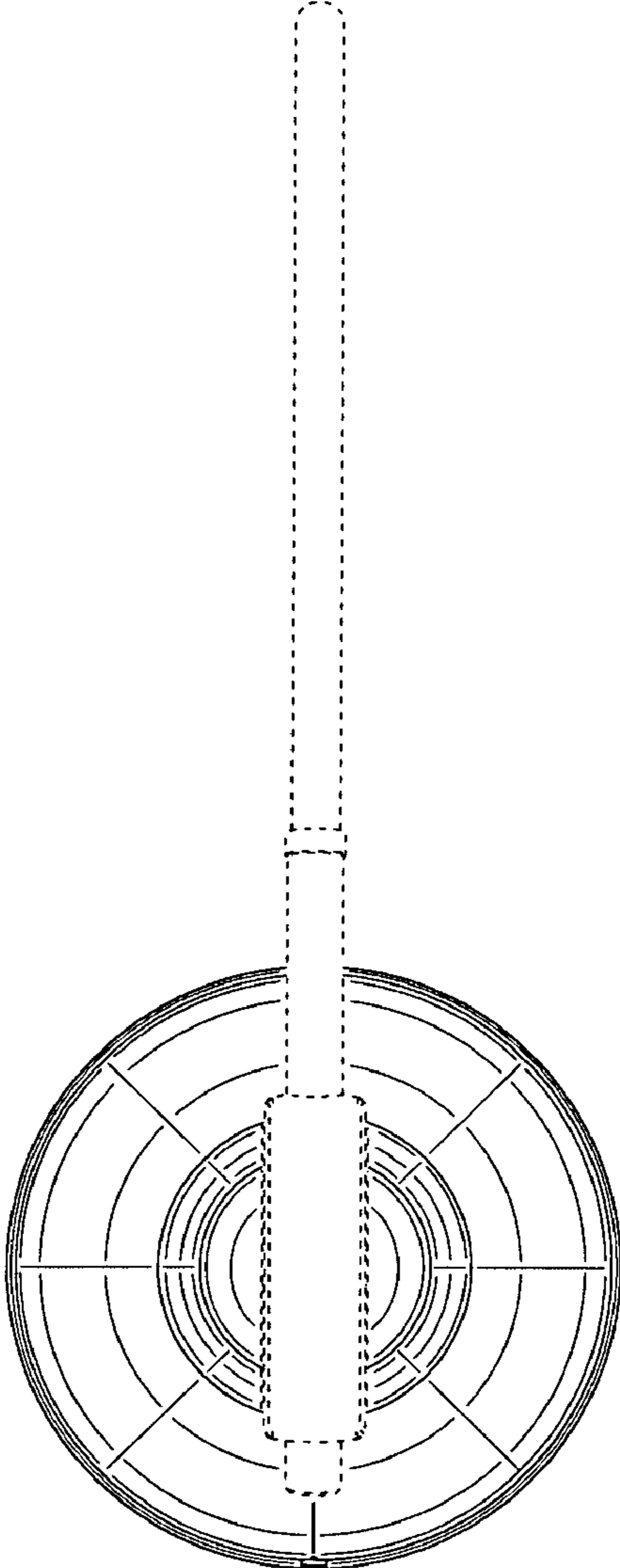


FIG.6



FIG.7

