



US00D635121S

(12) **United States Design Patent**
Takahashi et al.

(10) **Patent No.:** **US D635,121 S**
(45) **Date of Patent:** **** Mar. 29, 2011**

(54) **VOICE RECORDING/REPRODUCING
DEVICE**

(75) Inventors: **Noriaki Takahashi**, Hino (JP);
Yoshihiro Hayashi, Hachioji (JP)

(73) Assignee: **Olympus Imaging Corp.**, Tokyo (JP)

(**) Term: **14 Years**

(21) Appl. No.: **29/368,765**

(22) Filed: **Aug. 30, 2010**

(30) **Foreign Application Priority Data**

Jul. 26, 2010 (JP) 2010-018065

(51) **LOC (9) Cl.** **14-01**

(52) **U.S. Cl.** **D14/167**

(58) **Field of Classification Search** D14/167,
D14/154, 168, 188, 496, 156, 160, 161, 162,
D14/163, 164, 165, 158, 203.1, 341, 346,
D14/342, 345, 225, 226, 228, 227, 214; 455/351,
455/350; D19/60, 62; D21/330; 369/44.14,
369/44.32; 700/94

See application file for complete search history.

(56) **References Cited**

U.S. PATENT DOCUMENTS

D438,857 S *	3/2001	Ishii	D14/161
D533,861 S *	12/2006	Amano	D14/167
D558,183 S *	12/2007	Aoki	D14/167
D580,908 S *	11/2008	Nakamura	D14/167
D592,635 S *	5/2009	Obata et al.	D14/167
D596,155 S *	7/2009	Sakai	D14/167
D598,891 S *	8/2009	Naito	D14/167
D601,121 S *	9/2009	Chen	D14/167
D609,688 S *	2/2010	Obata	D14/167
D609,689 S *	2/2010	Obata	D14/167
D618,660 S *	6/2010	Wang et al.	D14/167

* cited by examiner

Primary Examiner — Austin Murphy

(74) *Attorney, Agent, or Firm* — Holtz, Holtz, Goodman & Chick, PC

(57) **CLAIM**

The ornamental design for a voice recording/reproducing device, as shown.

DESCRIPTION

FIG. 1 is a front, top and right side perspective view of a voice recording/reproducing device showing our new design; FIG. 2 is a front elevational view thereof; FIG. 3 is a rear elevational view thereof; FIG. 4 is a top plan view thereof; FIG. 5 is a bottom plan view thereof; FIG. 6 is a right side elevational view thereof; and, FIG. 7 is a left side elevational view thereof.

1 Claim, 4 Drawing Sheets

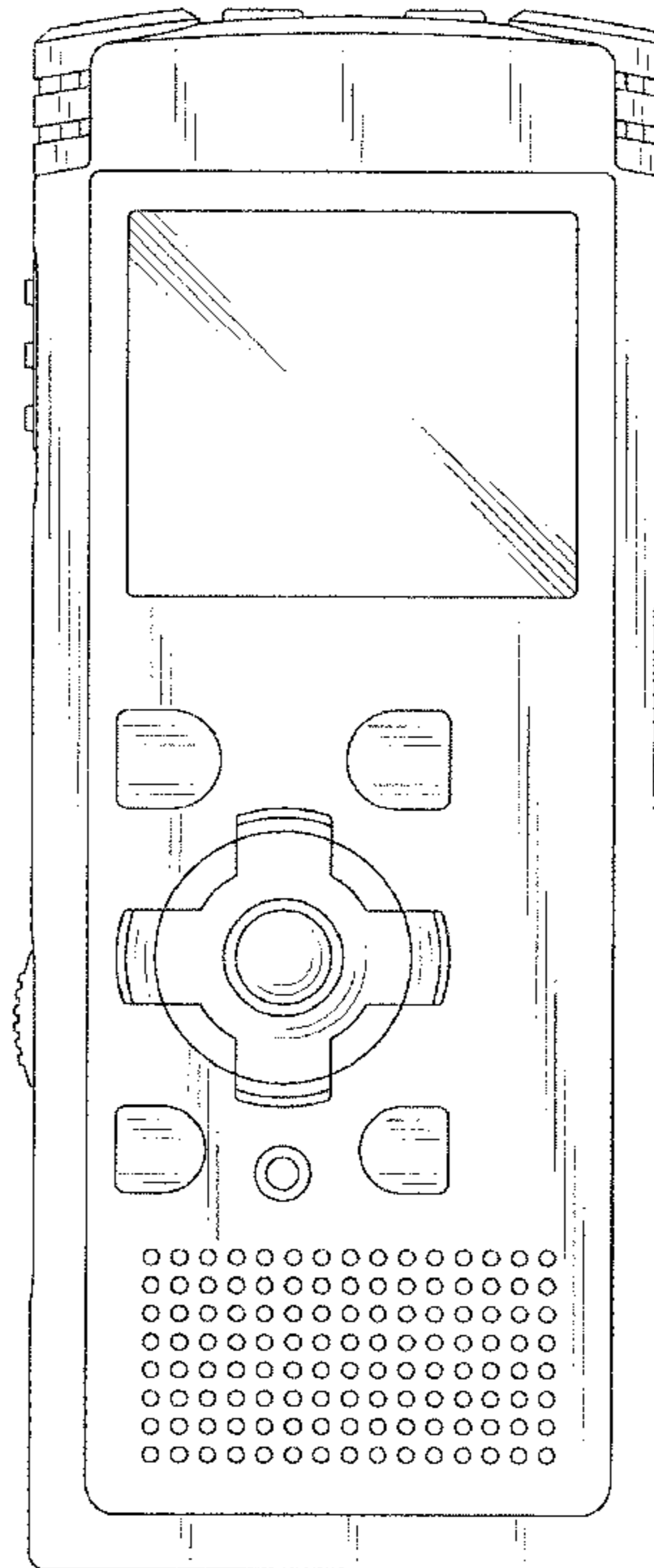
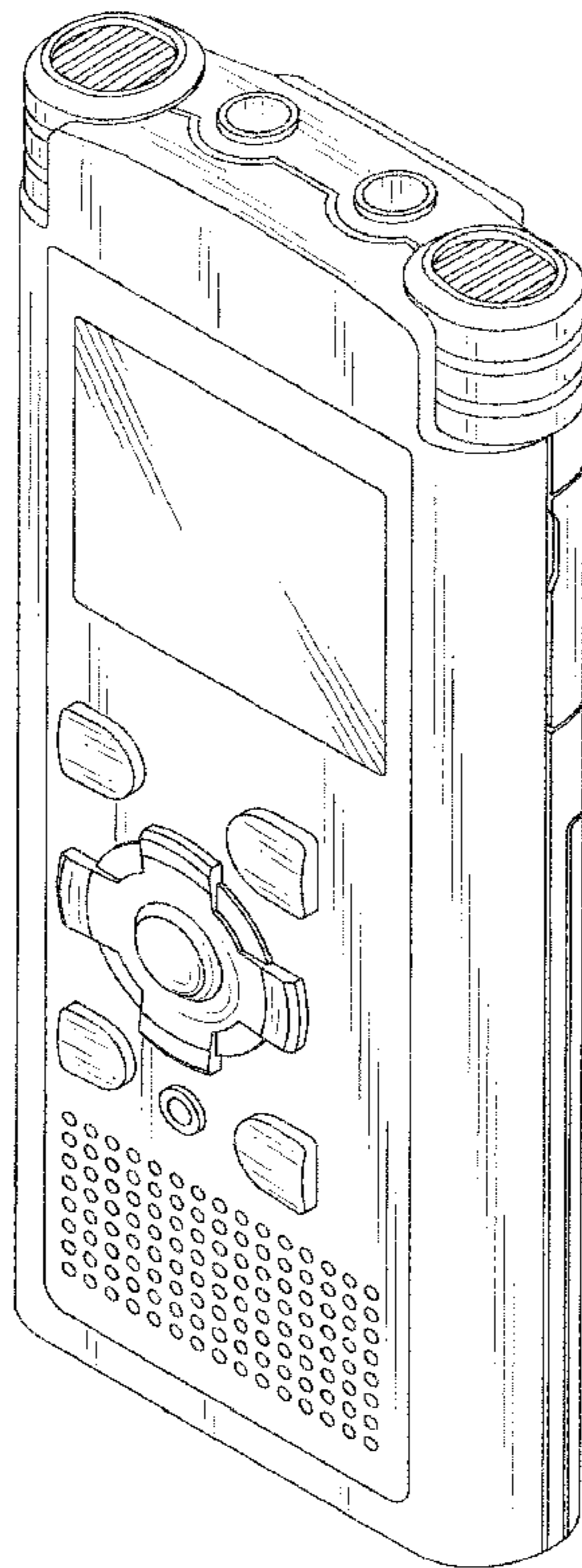


FIG. 1

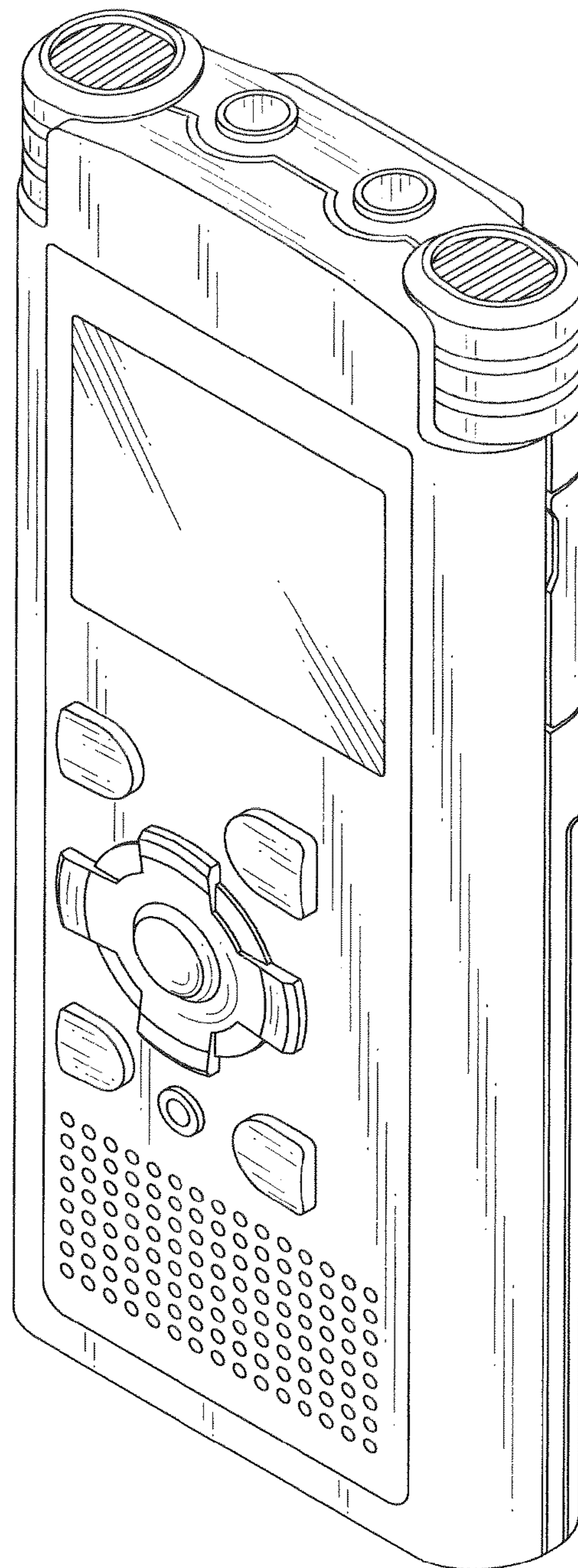


FIG.2

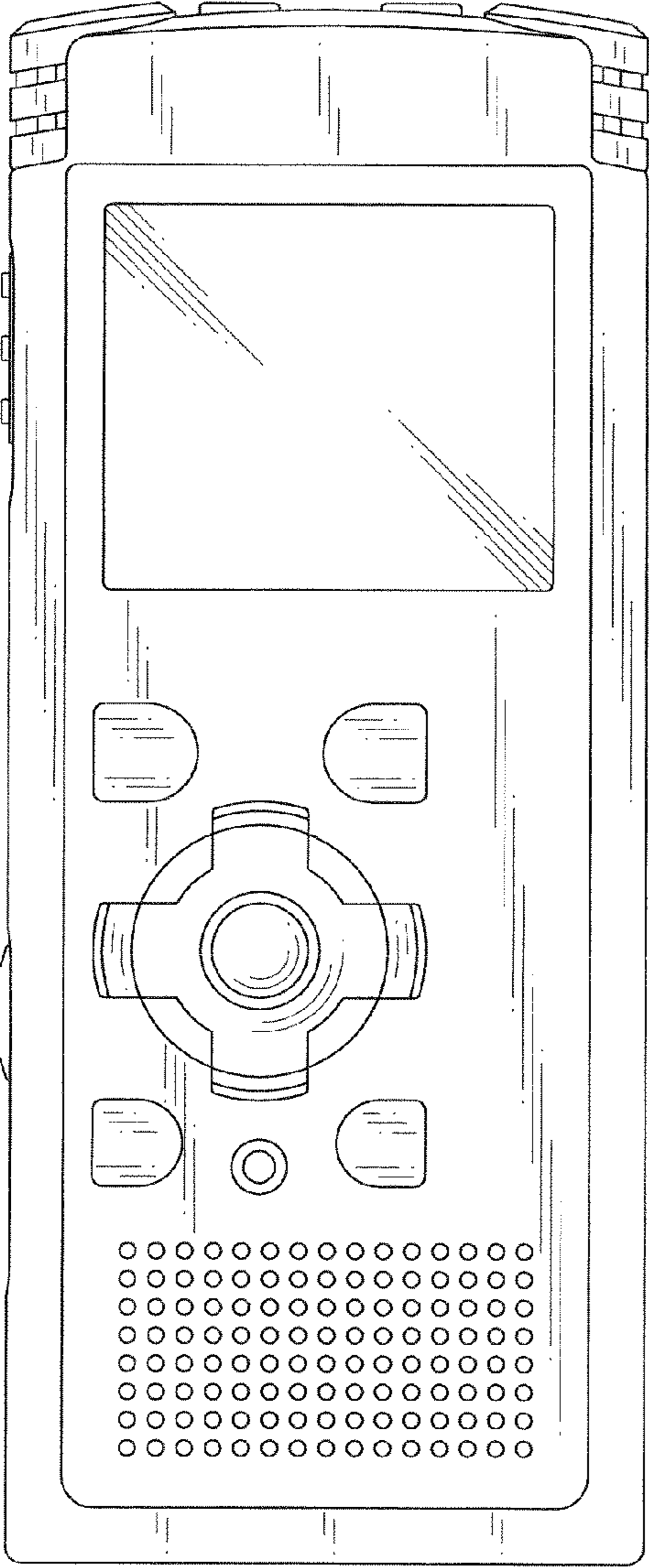


FIG.3

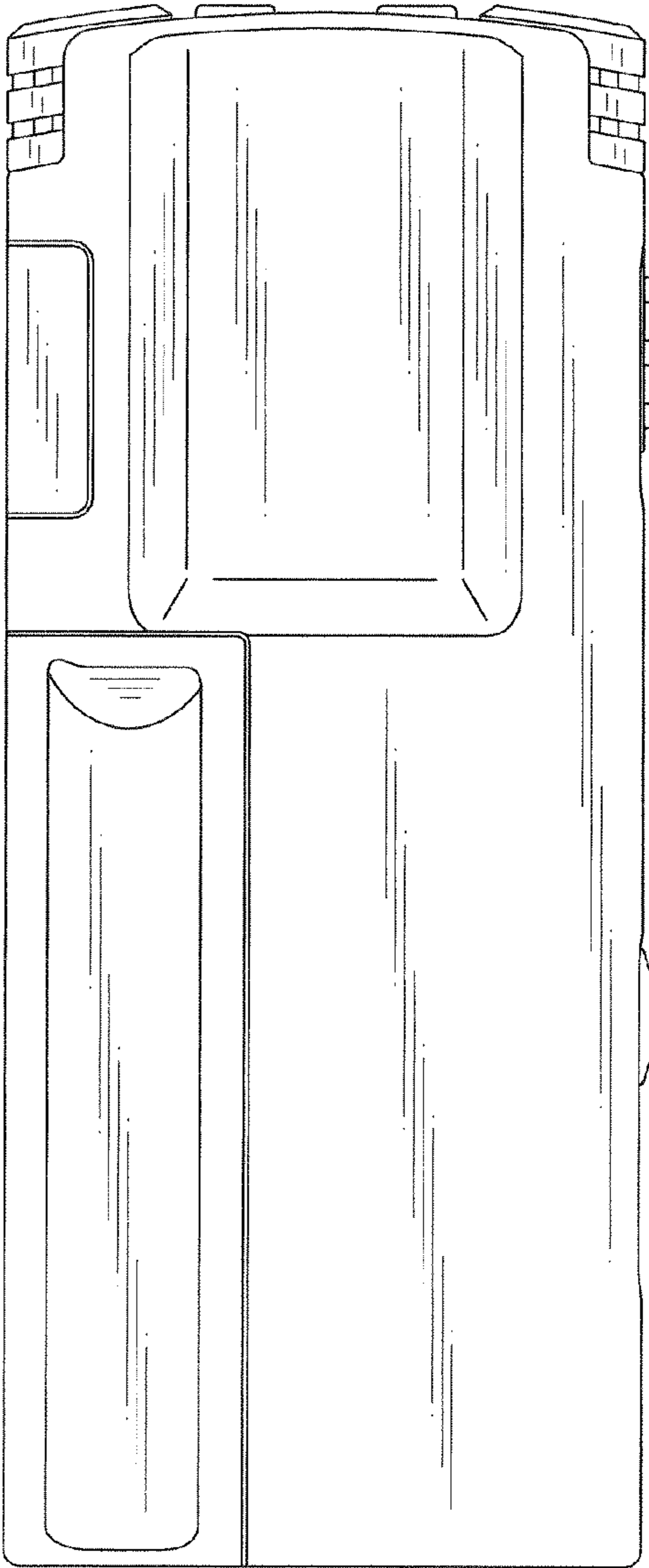


FIG.4

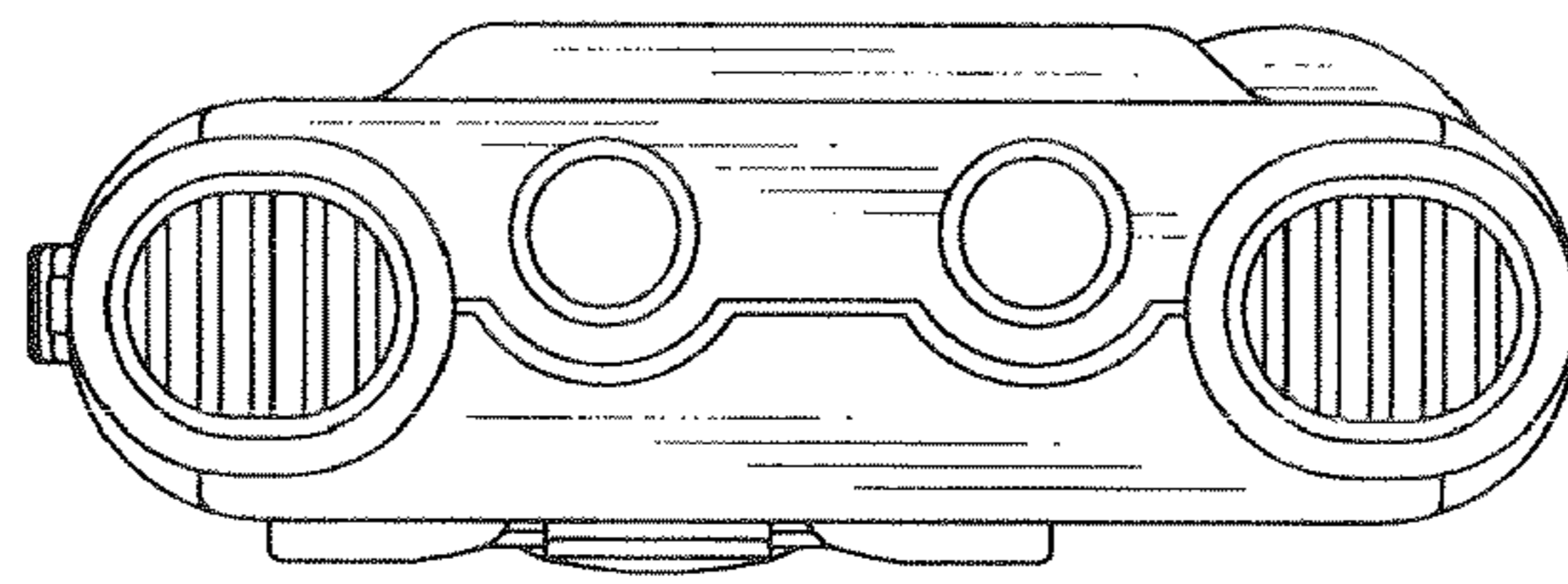


FIG.5

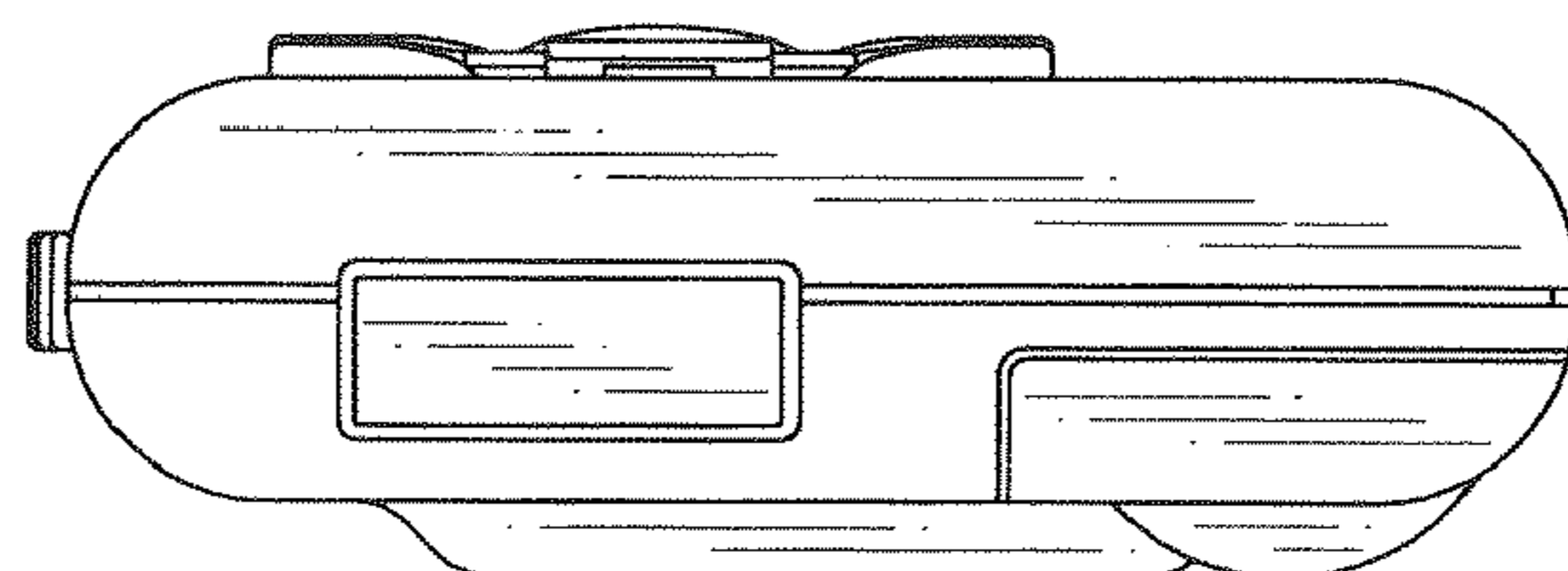


FIG.6

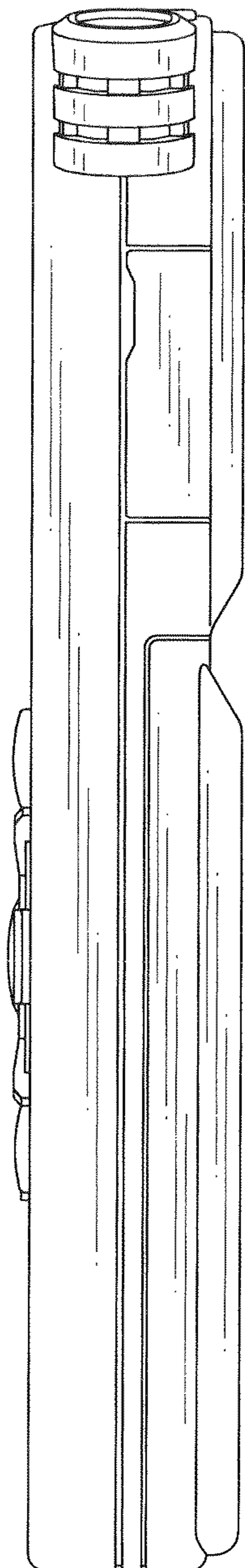


FIG.7

