



US00D635120S

(12) **United States Design Patent**
Sakai

(10) **Patent No.:** **US D635,120 S**
(45) **Date of Patent:** **** Mar. 29, 2011**

(54) **VOICE RECORDING/REPRODUCING DEVICE**

(75) Inventor: **Koji Sakai**, Hachioji (JP)

(73) Assignee: **Olympus Imaging Corp.**, Tokyo (JP)

(**) Term: **14 Years**

(21) Appl. No.: **29/368,764**

(22) Filed: **Aug. 30, 2010**

(30) **Foreign Application Priority Data**

Jul. 26, 2010 (JP) 2010-018060

(51) **LOC (9) Cl.** **14-01**

(52) **U.S. Cl.** **D14/167**

(58) **Field of Classification Search** D14/167,
D14/154, 168, 188, 496, 156, 160, 161, 162,
D14/163, 164, 165, 158, 203.1, 341, 346,
D14/342, 345, 225, 226, 228, 227, 214; 455/351,
455/350; D19/60, 62; D21/330; 369/44.14,
369/44.32; 700/94

See application file for complete search history.

(56) **References Cited**

U.S. PATENT DOCUMENTS

- D406,139 S * 2/1999 Shimatsu et al. D14/167
- D460,434 S * 7/2002 Hollinger D14/168
- D479,235 S * 9/2003 Tanaka et al. D14/346
- D489,731 S * 5/2004 Huang D14/203.7
- D516,578 S * 3/2006 Matsuoka D14/496
- D519,523 S * 4/2006 Chiu et al. D14/203.7

- D520,020 S * 5/2006 Senda et al. D14/203.7
- D523,445 S * 6/2006 Toh D14/203.7
- D534,153 S * 12/2006 Naruki D14/203.7
- D559,829 S * 1/2008 Ranney et al. D14/167
- D592,635 S * 5/2009 Obata et al. D14/167
- D624,524 S * 9/2010 Terzigni D14/167
- 2005/0224332 A1 * 10/2005 Yamaguchi 200/547

OTHER PUBLICATIONS

U.S. Appl. No. 29/368,769; First Named Inventor: Koji Sakai; Title: "Voice Recording/Reproducing Device"; Filed: Aug. 30, 2010.

U.S. Appl. No. 29/368,770; First Named Inventor: Koji Sakai; Title: "Voice Recording/Reproducing Device"; Filed: Aug. 30, 2010.

* cited by examiner

Primary Examiner — Austin Murphy

(74) *Attorney, Agent, or Firm* — Holtz, Holtz, Goodman & Chick, PC

(57) **CLAIM**

The ornamental design for a voice recording/reproducing device, as shown.

DESCRIPTION

FIG. 1 is a front, top and right side perspective view of a voice recording/reproducing device showing my new design;

FIG. 2 is a front elevational view thereof;

FIG. 3 is a rear elevational view thereof;

FIG. 4 is a top plan view thereof;

FIG. 5 is a bottom plan view thereof;

FIG. 6 is a right side elevational view thereof; and,

FIG. 7 is a left side elevational view thereof.

1 Claim, 5 Drawing Sheets

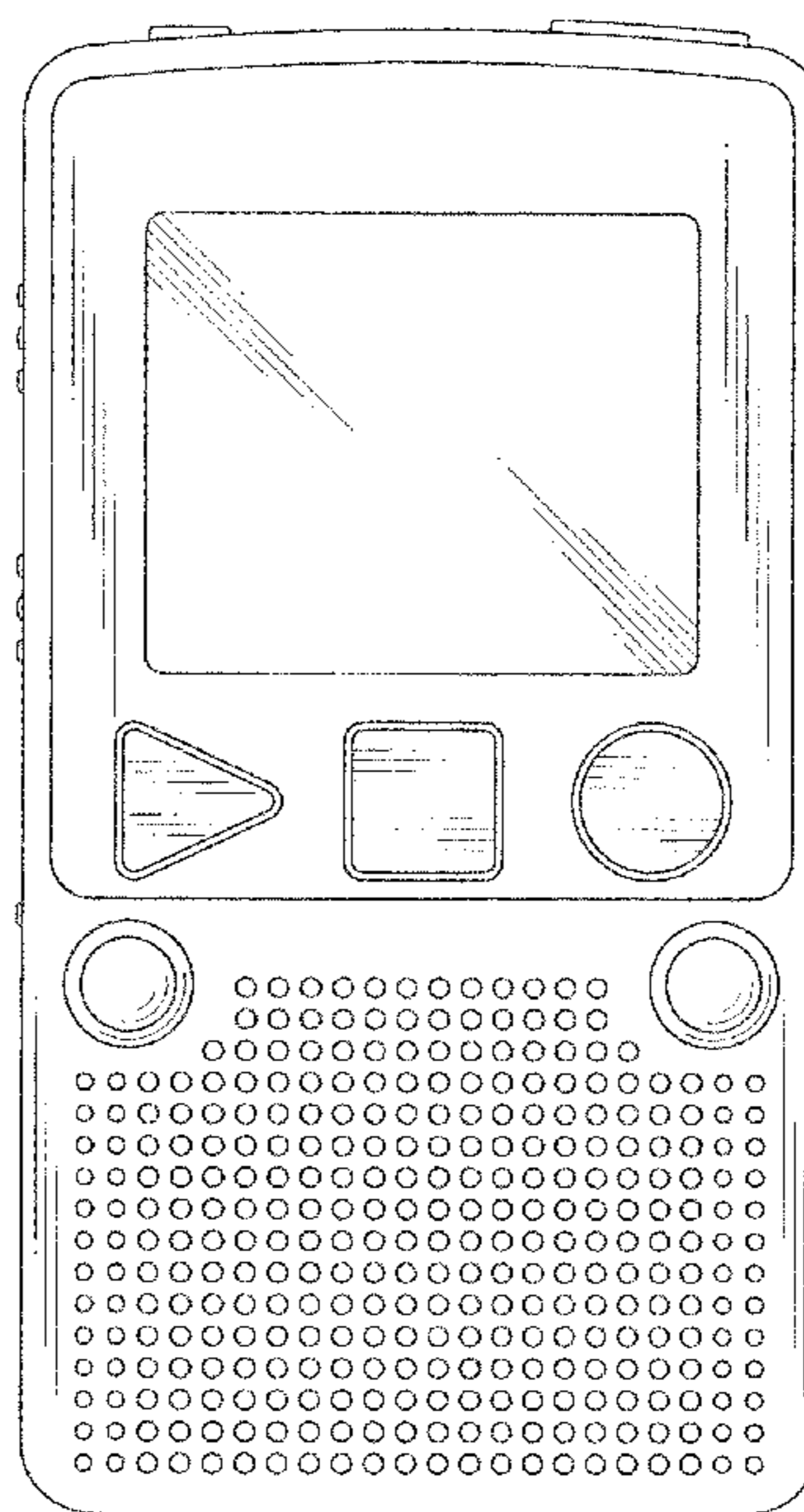
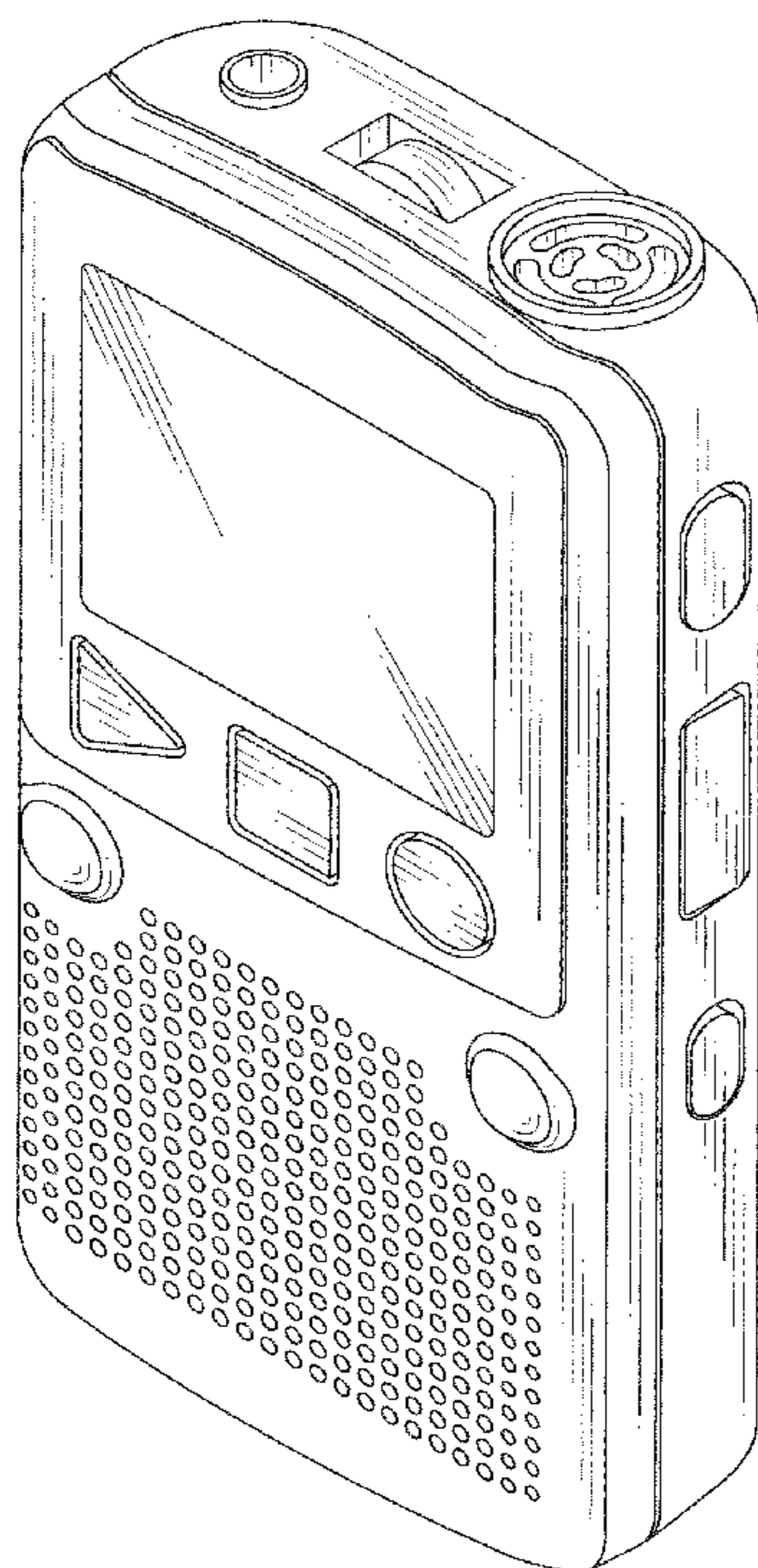


FIG.1

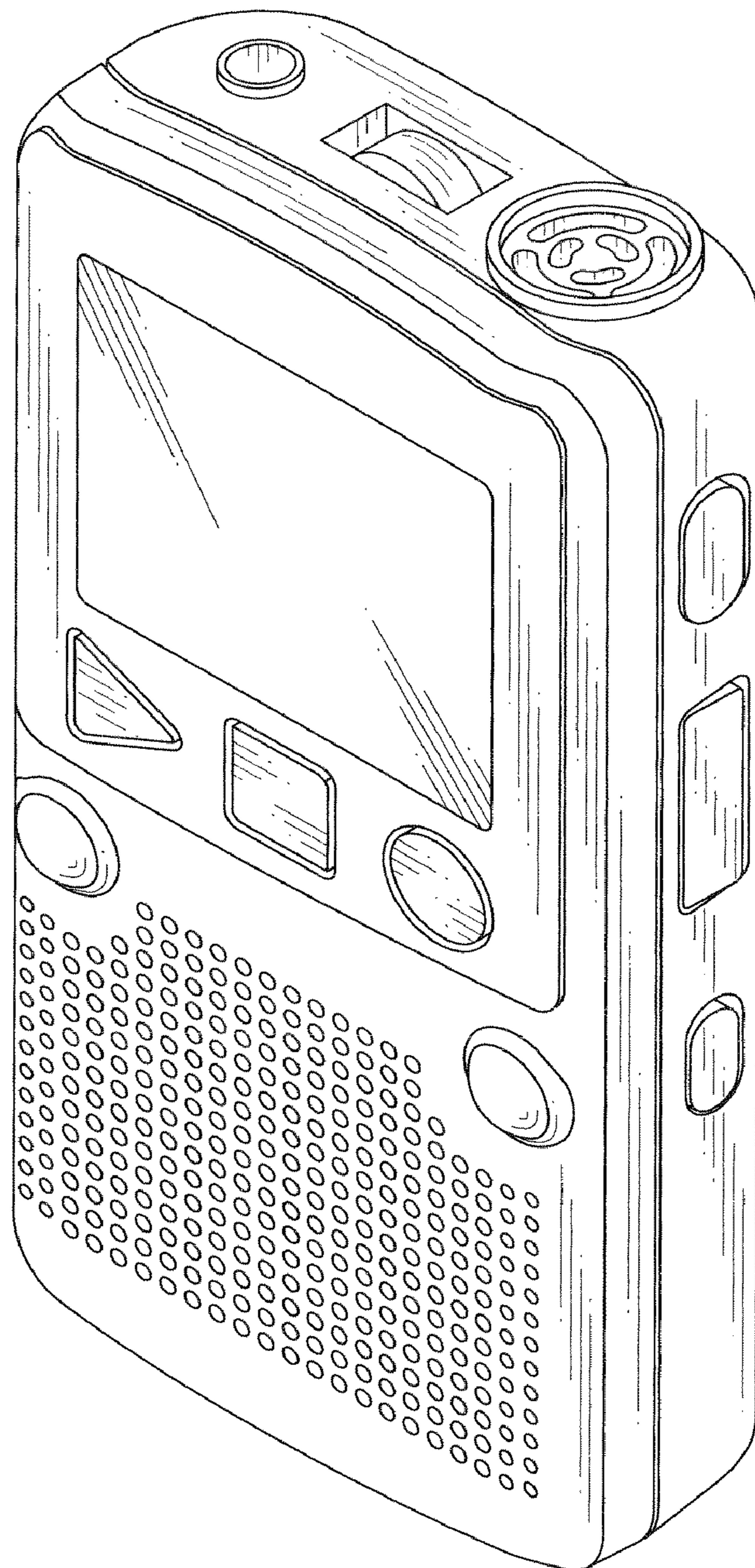


FIG.2

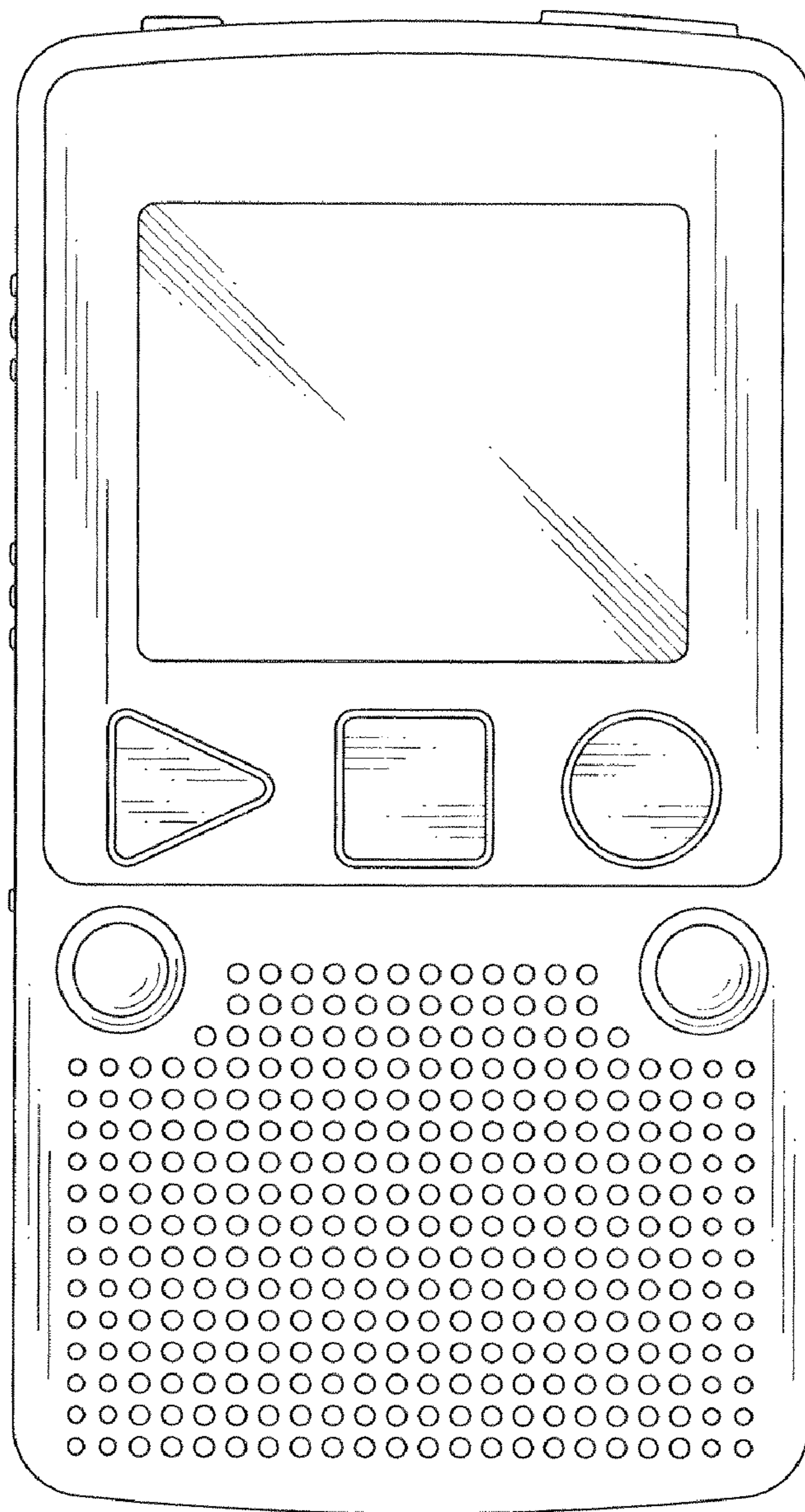


FIG.3

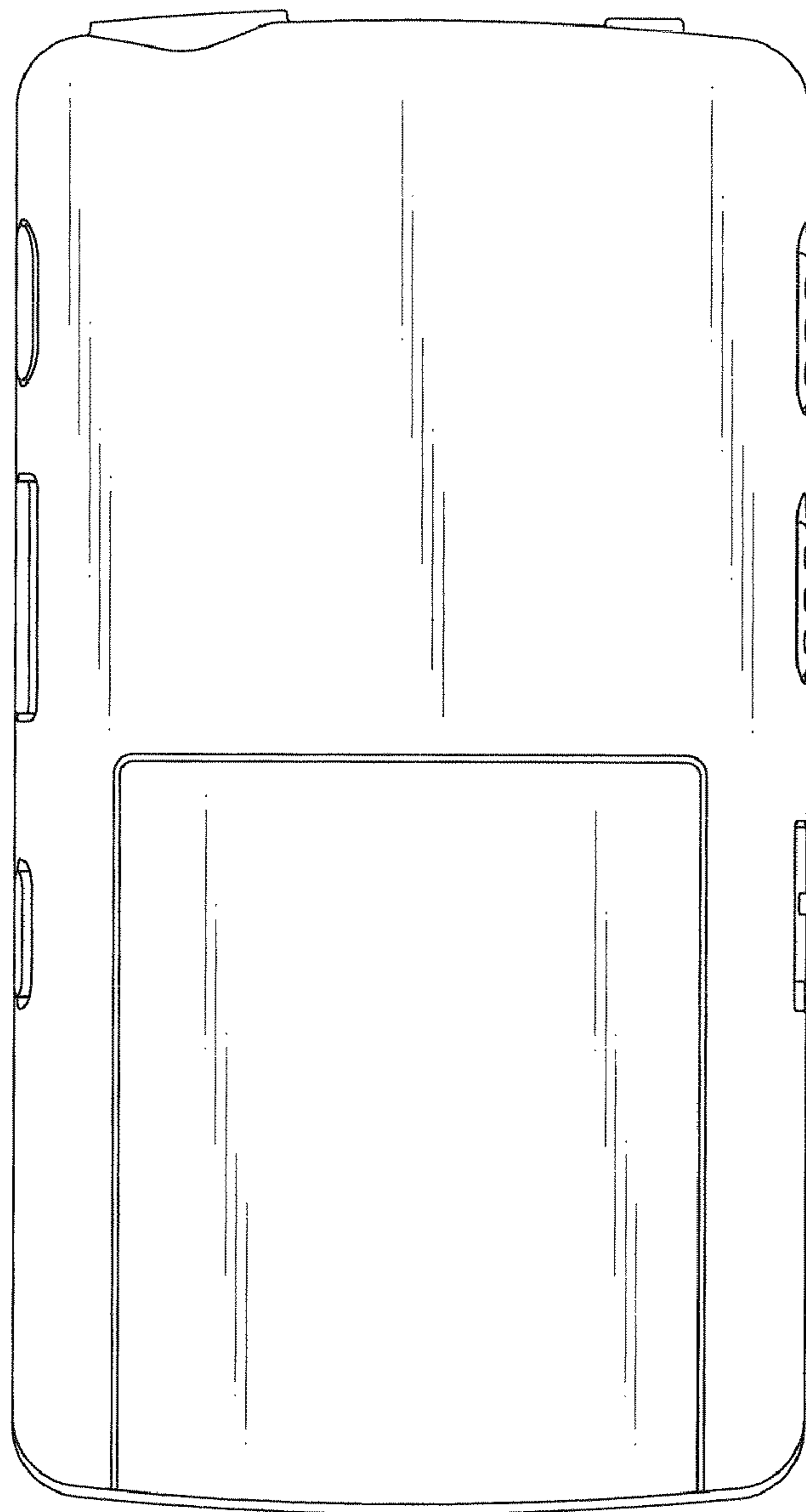


FIG.4

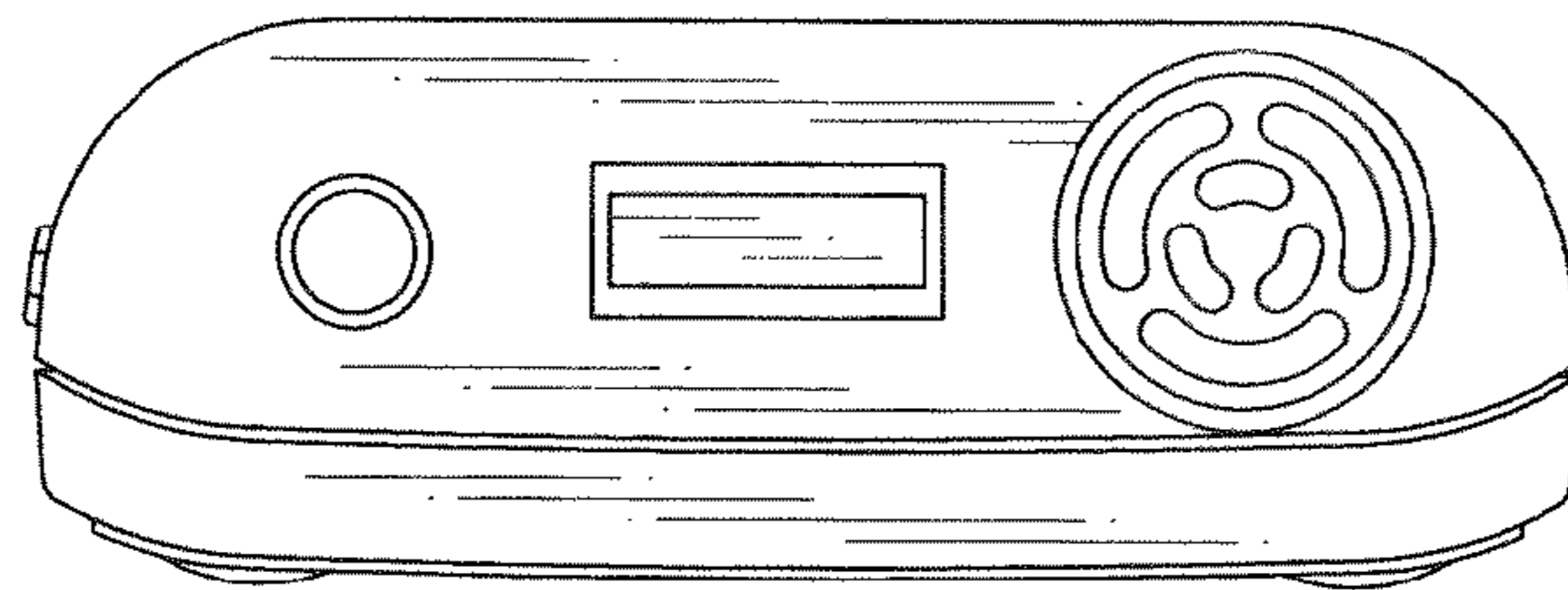


FIG.5

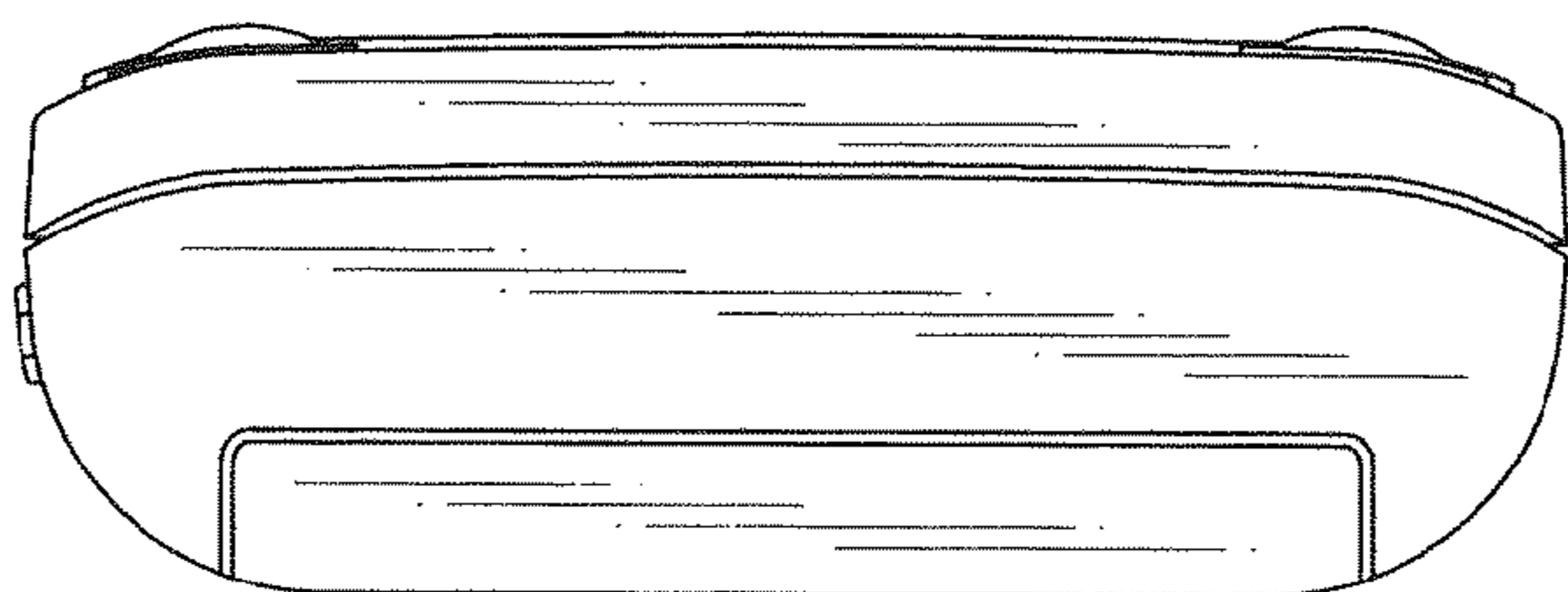


FIG.6

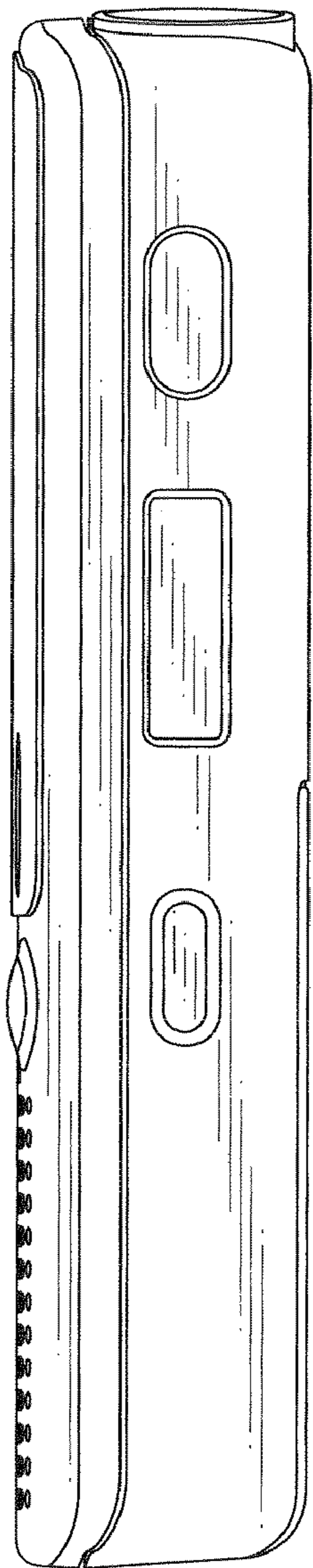


FIG.7

