



US00D635119S

(12) **United States Design Patent**
Van Hees

(10) **Patent No.:** **US D635,119 S**
(45) **Date of Patent:** **** Mar. 29, 2011**

(54) **APPARATUS FOR CONVERTING IMAGES INTO SOUND**

(75) Inventor: **Lukas Wilhelmus Van Hees**, Voorburg (NL)

(73) Assignee: **Optelec Development B.V.**, Barendrecht (NL)

(**) Term: **14 Years**

(21) Appl. No.: **29/365,212**

(22) Filed: **Jul. 6, 2010**

(30) **Foreign Application Priority Data**

Jan. 6, 2010 (EP) 001654450-0002

(51) **LOC (9) Cl.** **14-99**

(52) **U.S. Cl.** **D14/158**

(58) **Field of Classification Search** D14/167, D14/154, 168, 188, 496, 156, 160, 161, 162, D14/163, 164, 165, 158, 218, 217, 341, 346, D14/342, 345; D16/208; D26/38; 455/351, 455/350; D19/60, 62; D21/330, 405; D13/168
See application file for complete search history.

(56) **References Cited**

U.S. PATENT DOCUMENTS

D278,707 S * 5/1985 Swinney D14/158
D359,520 S * 6/1995 Hsu D21/516
D369,164 S * 4/1996 Hsu D14/510
D374,259 S * 10/1996 Hsu D21/405
D405,424 S * 2/1999 Winkler et al. D13/168

D419,562 S * 1/2000 Mu D14/217
D440,208 S * 4/2001 Lynch et al. D13/168
D556,155 S * 11/2007 Andre et al. D13/168
D577,708 S * 9/2008 von Meiss et al. D14/158
D579,440 S * 10/2008 Wiley D14/158
D589,490 S * 3/2009 Thusbass D14/155
D615,069 S * 5/2010 Andre et al. D14/218
D616,870 S * 6/2010 Choo et al. D14/218

* cited by examiner

Primary Examiner — Austin Murphy

(74) *Attorney, Agent, or Firm* — Leydig, Voit & Mayer, Ltd.

(57) **CLAIM**

I claim the ornamental design for an apparatus for converting images into sound, as shown and described.

DESCRIPTION

FIG. 1 is a front and right side perspective view of apparatus for converting images into sound showing my new design; FIG. 2 is a front and left side perspective view thereof shown in an opened position of use; FIG. 3 is a front elevational view of FIG. 2; FIG. 4 is a left side view of FIG. 2; FIG. 5 is a rear elevational view of FIG. 2; FIG. 6 is a top plan view of FIG. 2; and, FIG. 7 is a front and left side perspective view of FIG. 2 with the carry handle shown in an upright position. The broken lines shown in the drawings represent portions of the apparatus for converting images into sound that form no part of the claimed design.

1 Claim, 7 Drawing Sheets

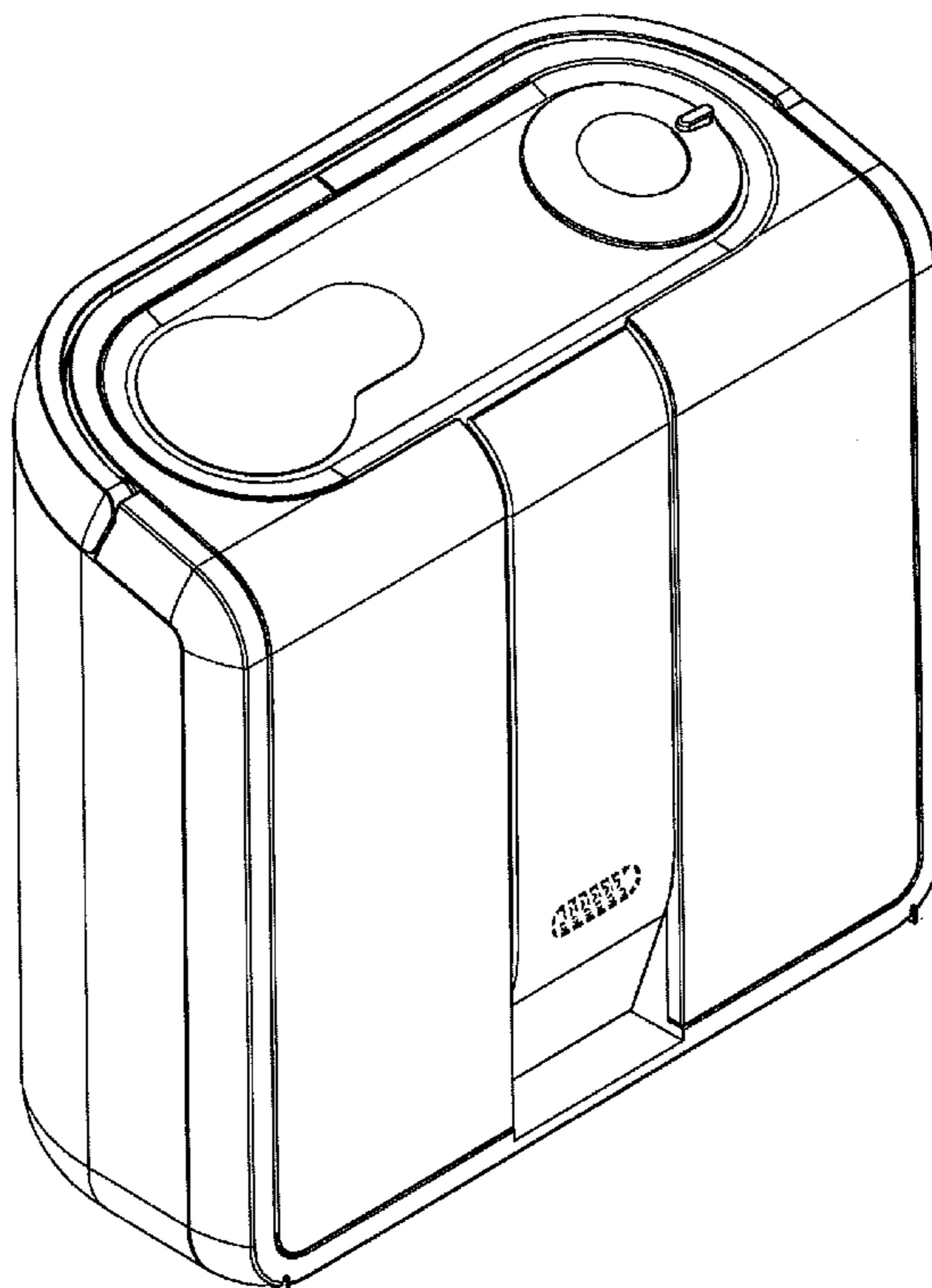


FIG. 1

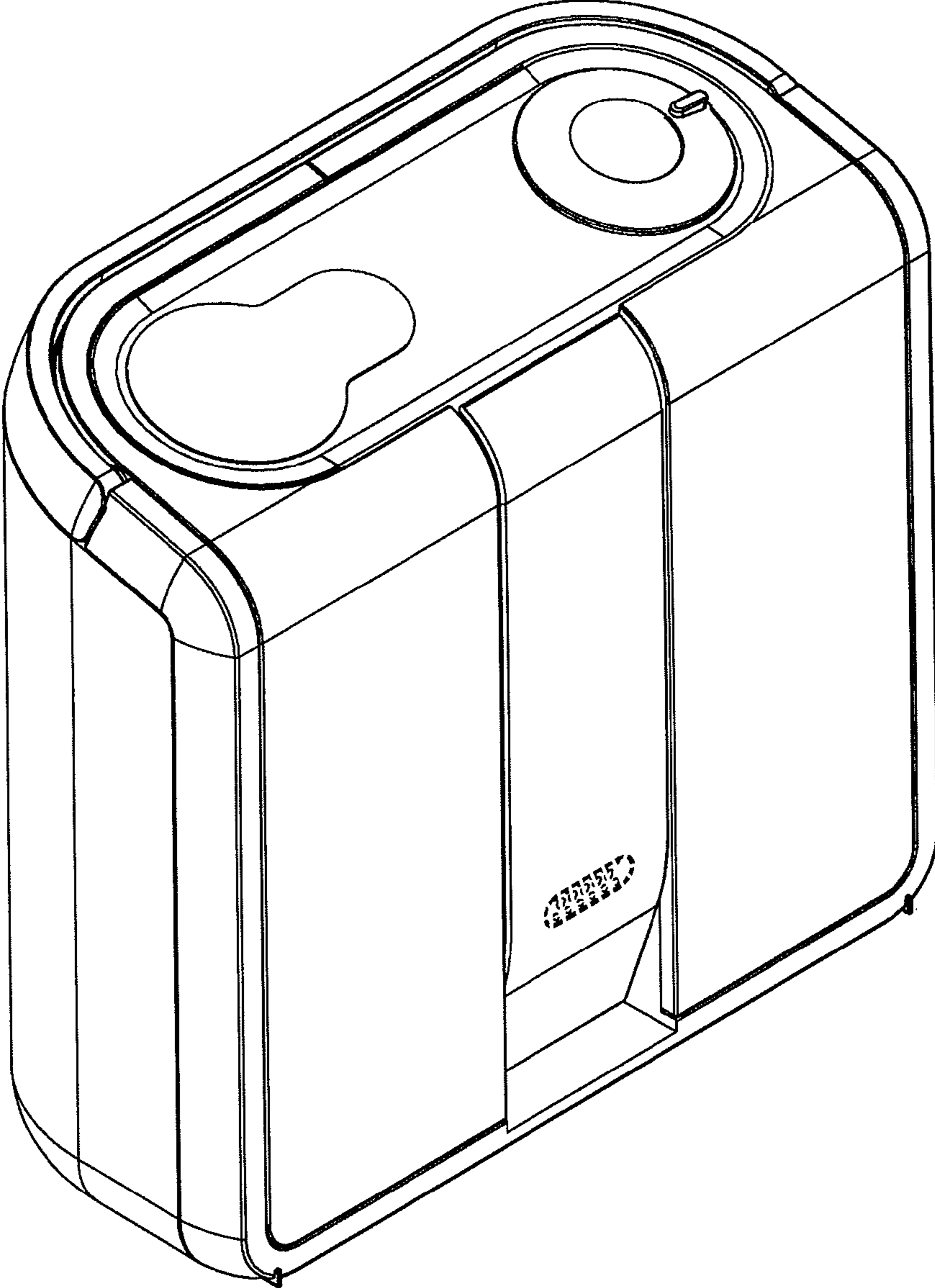


FIG. 2

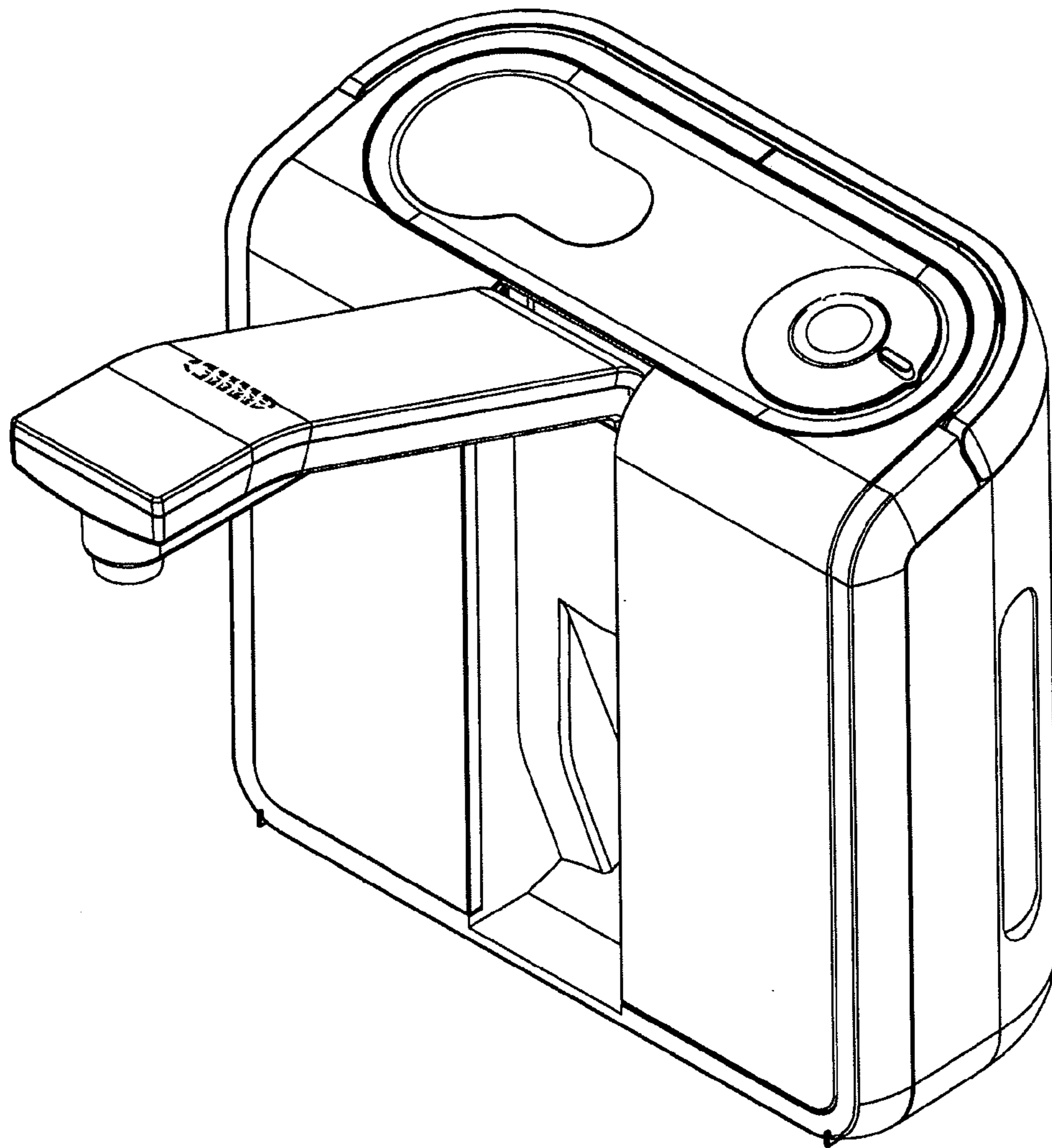


FIG. 3

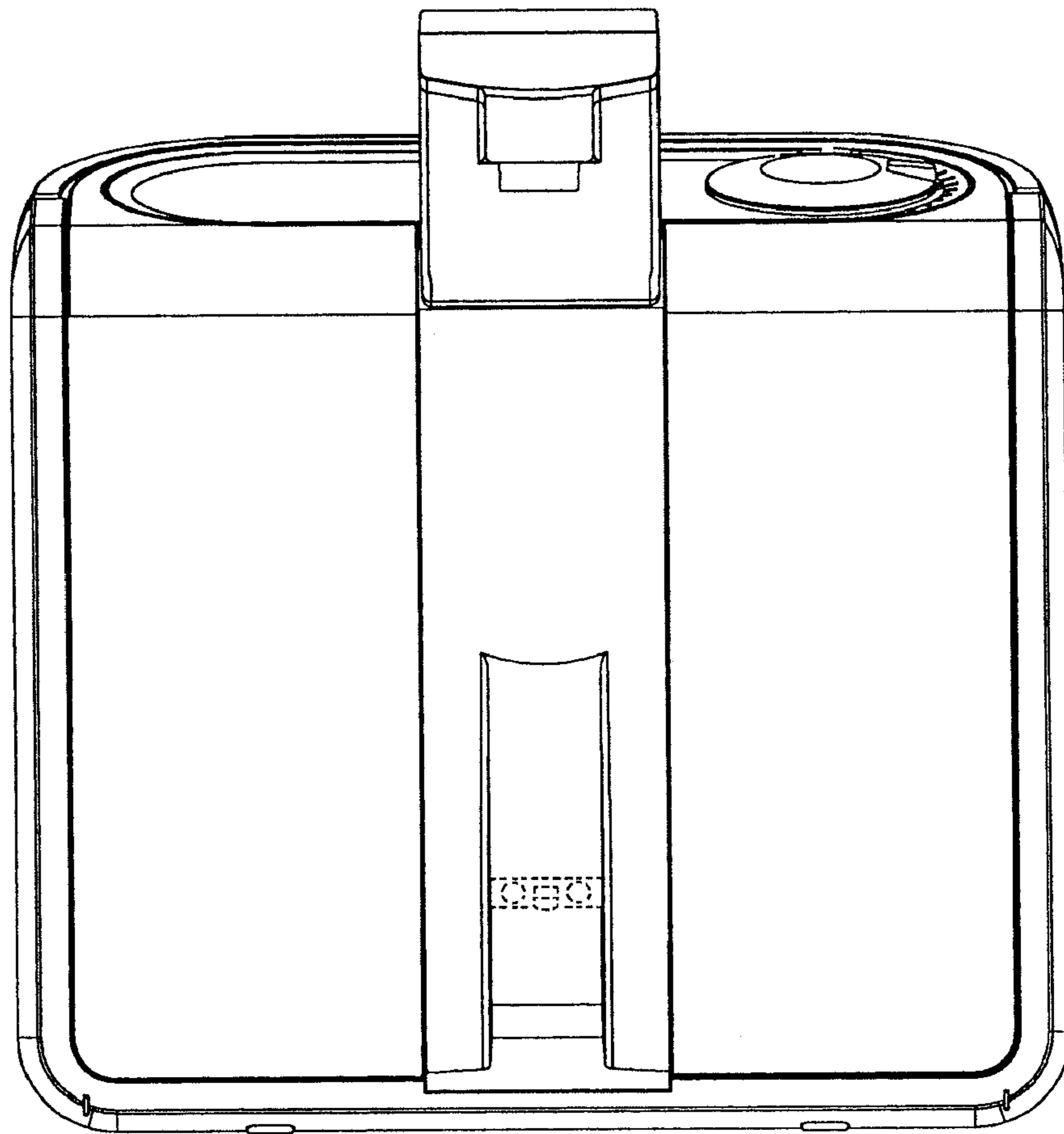


FIG. 4

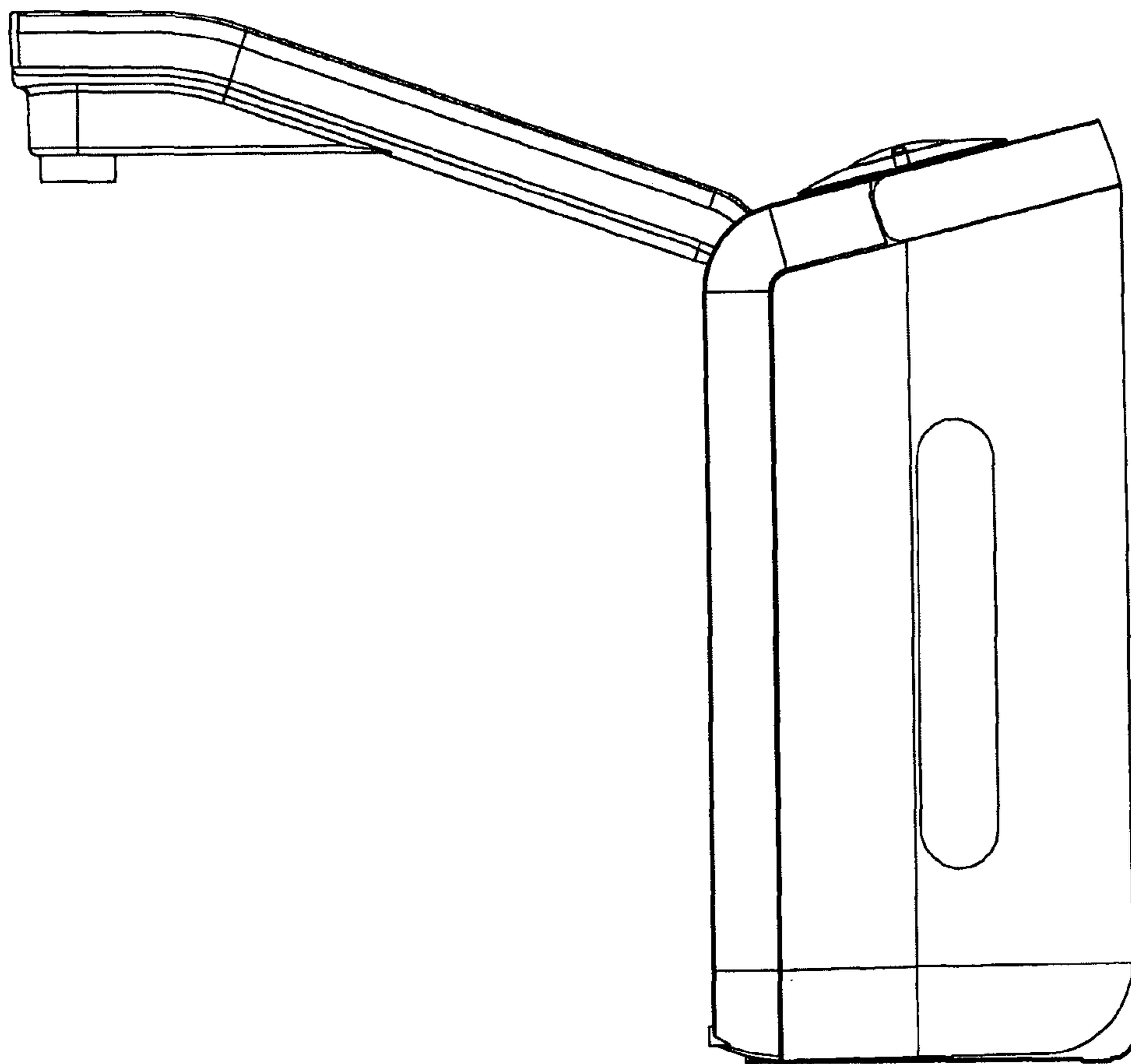


FIG. 5

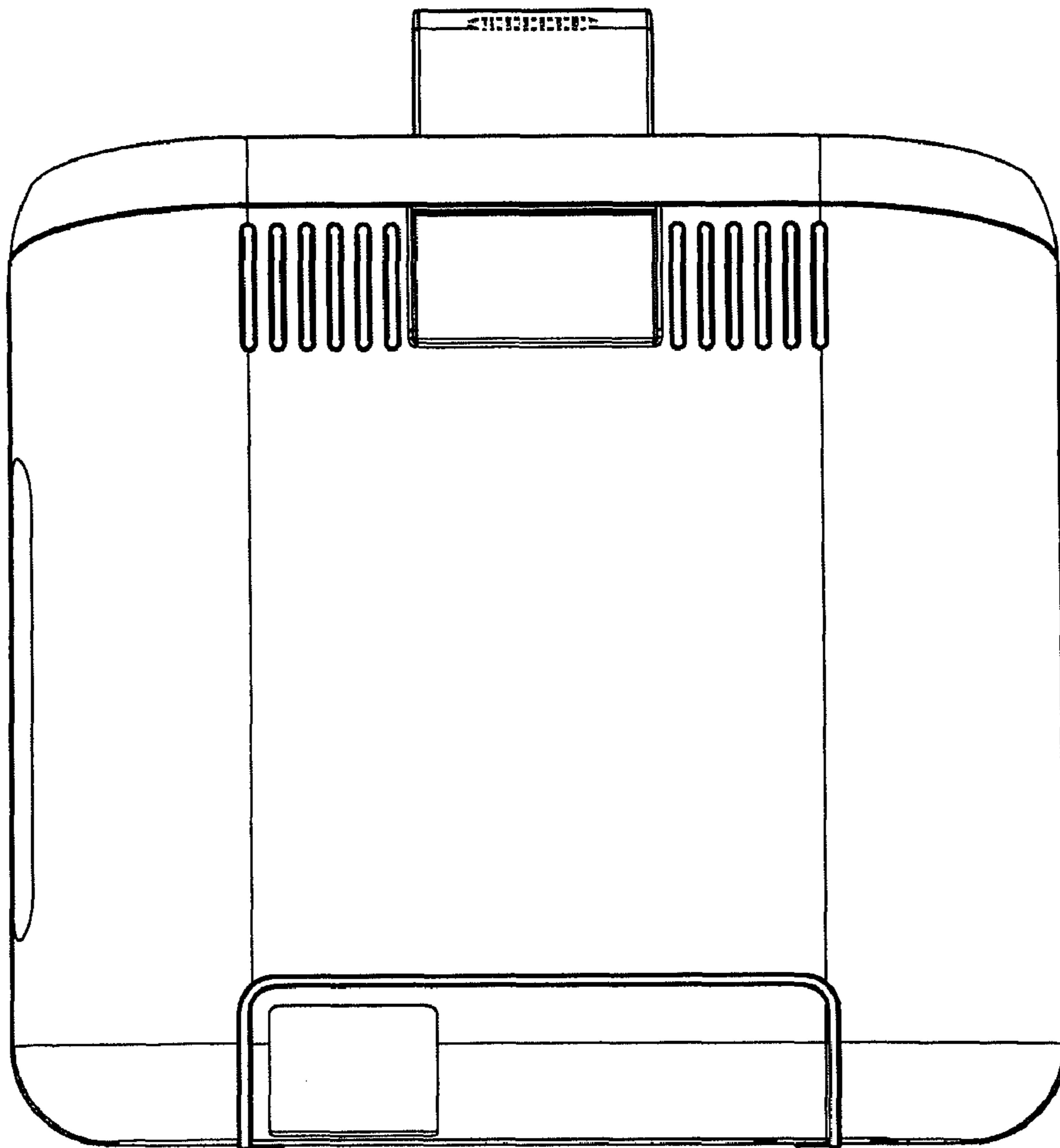


FIG. 6

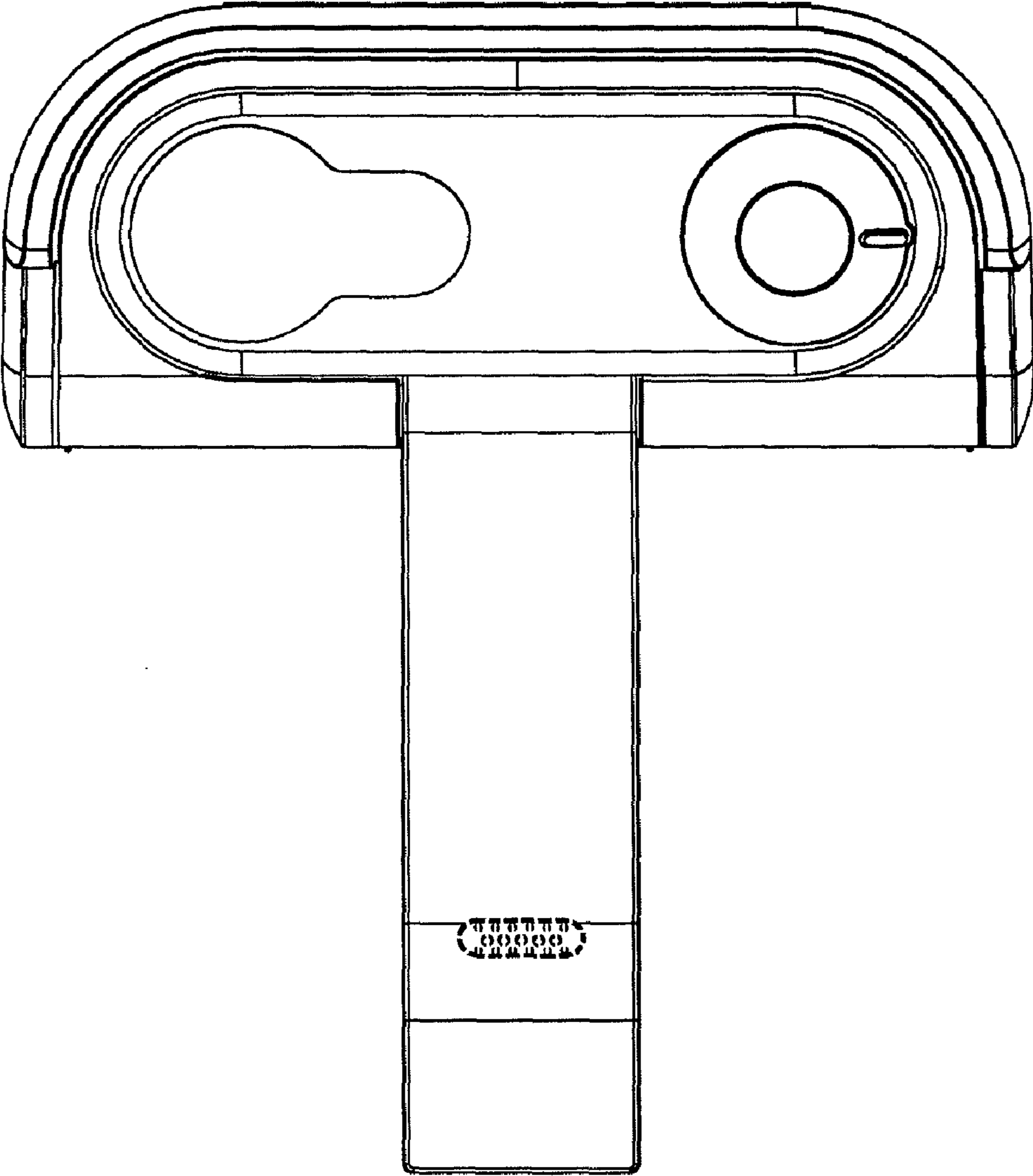


FIG. 7

