



US00D635118S

(12) **United States Design Patent**  
**Nakajima et al.**

(10) **Patent No.:** **US D635,118 S**  
(45) **Date of Patent:** **\*\* Mar. 29, 2011**

(54) **TELEPHONE BASE UNIT**

(75) Inventors: **Akira Nakajima**, Osaka (JP); **Hideaki Sakamoto**, Osaka (JP); **Takashi Hasegawa**, Osaka (JP); **Toshiya Moriyama**, Osaka (JP)

(73) Assignee: **Panasonic Corporation**, Osaka (JP)

(\*\*) Term: **14 Years**

(21) Appl. No.: **29/323,721**

(22) Filed: **Aug. 29, 2008**

(51) **LOC (9) Cl.** ..... **14-03**

(52) **U.S. Cl.** ..... **D14/149**

(58) **Field of Classification Search** ..... D14/130,  
D14/140-142, 144, 159, 240, 243, 434, 471,  
D14/496, 498, 511, 203.8, 209.1, 217, 299,  
D14/229, 148-151, 251-253; 379/88.17,  
379/90.01, 93.17, 387.01, 388.02, 419-420.04,  
379/420.02, 428.01-428.04, 434-436, 440,  
379/446-447, 454-455; 381/16, 71.1;  
D13/107-108; 191/12.2 R; 320/108, 110,  
320/113-115; 455/411, 550.1, 90.3, 573;  
348/14.01-14.06; D21/517

See application file for complete search history.

(56) **References Cited**

**U.S. PATENT DOCUMENTS**

D225,750 S \* 1/1973 Marsalka ..... D14/242  
D259,421 S 6/1981 Janda  
D278,434 S 4/1985 Nestell

(Continued)

**FOREIGN PATENT DOCUMENTS**

WO DM/050409 \* 3/1999  
WO DM/050606 4/2000

**OTHER PUBLICATIONS**

Panasonic KX-TG4021N, <URL:<http://www.101phones.com/details/18505-13586/panasonic-kx-tg4021n.html>>, retrieved from internet Dec. 3, 2010.\*

*Primary Examiner* — Robert M Spear

*Assistant Examiner* — Carla Jobe Wright

(74) *Attorney, Agent, or Firm* — Brinks Hofer Gilson & Lione

(57) **CLAIM**

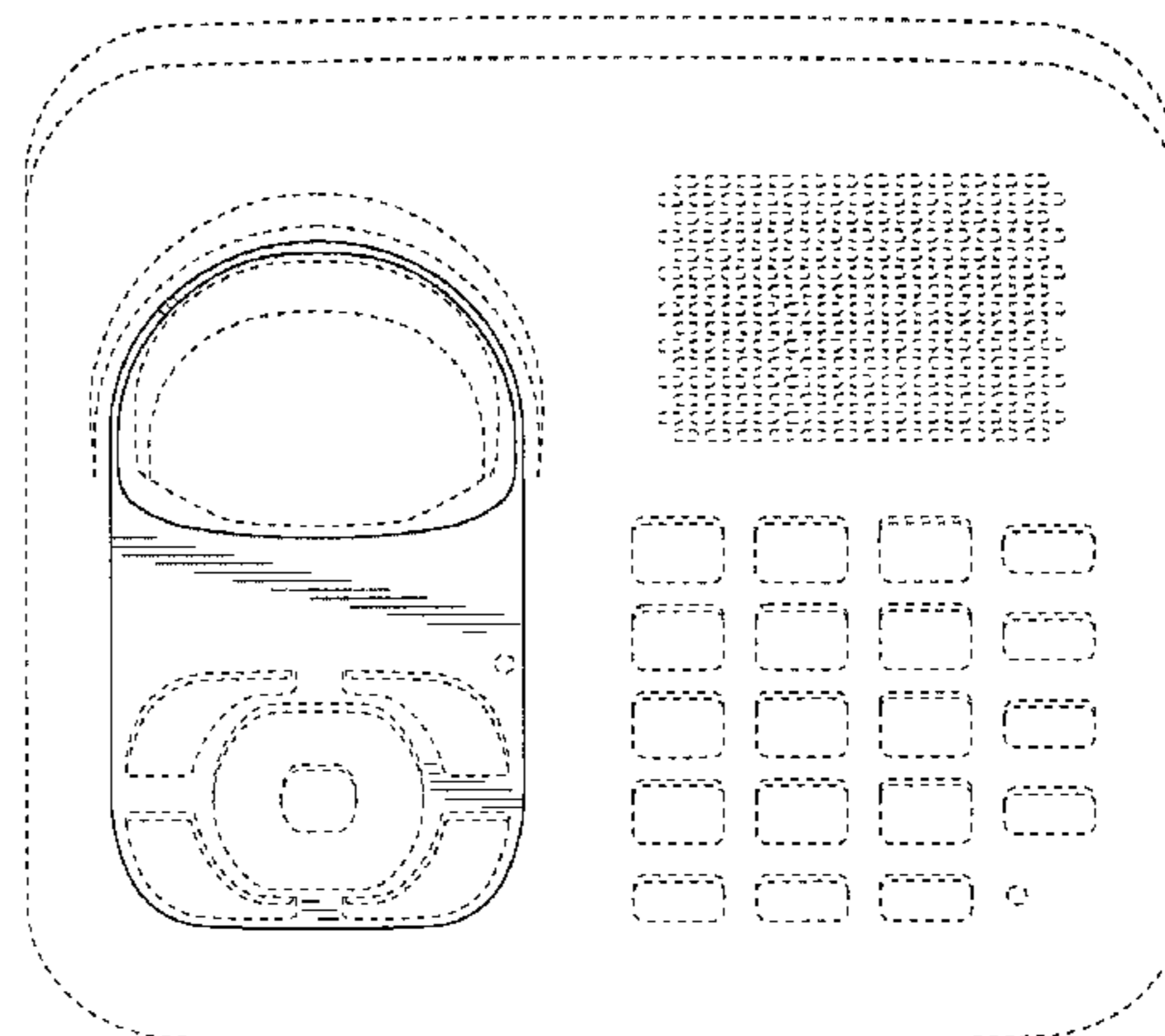
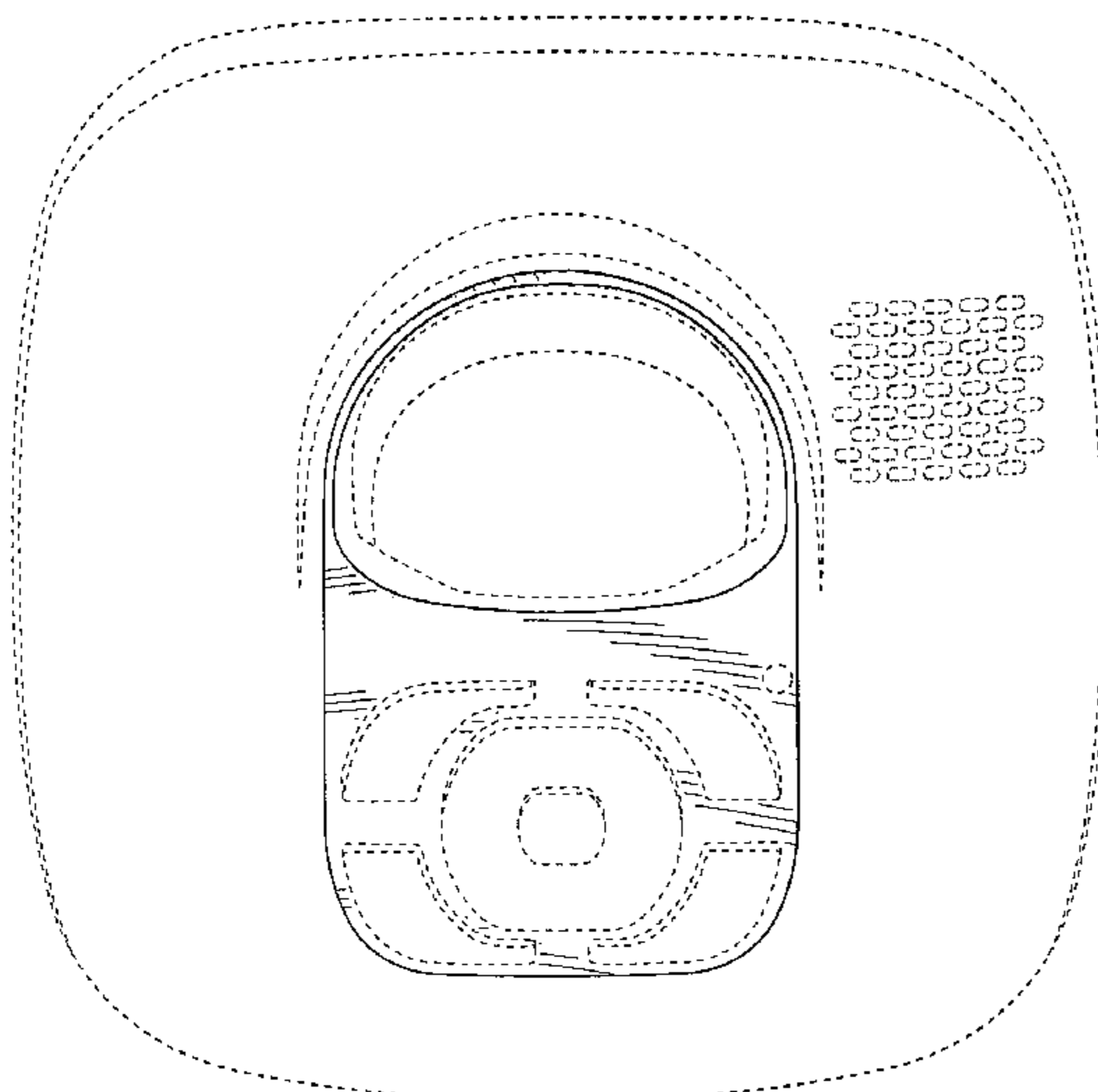
We claim the ornamental design for a telephone base unit, as shown and described.

**DESCRIPTION**

FIG. 1 is a top perspective view of a first embodiment of a telephone base unit of the present invention; FIG. 2 is a front view thereof; FIG. 3 is a rear view thereof; FIG. 4 is a first side view thereof; FIG. 5 is a second side view thereof; FIG. 6 is a top view thereof; FIG. 7 is a bottom view thereof; FIG. 8 is a top perspective view of a second embodiment of a telephone base unit of the present invention; FIG. 9 is a front view thereof; FIG. 10 is a rear view thereof; FIG. 11 is a first side view thereof; FIG. 12 is a second side view thereof; FIG. 13 is a top view thereof; FIG. 14 is a bottom view thereof; FIG. 15 is a top perspective view of a third embodiment of a telephone base unit of the present invention; FIG. 16 is a front view thereof; FIG. 17 is a rear view thereof; FIG. 18 is a first side view thereof; FIG. 19 is a second side view thereof; FIG. 20 is a top view thereof; and, FIG. 21 is a bottom view thereof.

The broken line showing of the telephone base unit is included for the purpose of illustrating environment that forms no part of the claimed design.

**1 Claim, 21 Drawing Sheets**



# US D635,118 S

Page 2

## U.S. PATENT DOCUMENTS

D289,520 S	4/1987	Pushelberg	
D296,437 S	6/1988	Martinez	
D298,940 S	12/1988	Lau	
D307,277 S	4/1990	Desbarats	
D321,337 S *	11/1991	Sakamoto et al.	..... D13/108
D349,899 S	8/1994	Siddoway et al.	
D350,541 S	9/1994	Chung et al.	
D352,032 S	11/1994	Cowan	
D358,813 S	5/1995	Hellier et al.	
D359,284 S	6/1995	Hung	
D360,398 S	7/1995	Nagele et al.	
D363,286 S	10/1995	Solomita	
D367,651 S	3/1996	Hellier et al.	
D369,803 S	5/1996	Ka Hung	
D382,557 S	8/1997	Solomita et al.	
D384,663 S	10/1997	Solomita et al.	
D385,558 S	10/1997	Liu	
D388,433 S	12/1997	Lepack	
D395,046 S	6/1998	Liu	
D395,280 S *	6/1998	Phelps	..... D13/108
D401,235 S	11/1998	Fuke et al.	
D401,579 S	11/1998	Benjamin et al.	
5,946,637 A *	8/1999	Umbach et al.	..... 455/573
D415,490 S	10/1999	Chan	
D426,808 S *	6/2000	Hsiao	..... D13/107
D445,399 S *	7/2001	Kolinen	..... D13/107
D456,795 S	5/2002	Hughes et al.	
D457,868 S	5/2002	Shintani	
D460,446 S *	7/2002	Hughes et al.	..... D14/253
D471,187 S	3/2003	Song	
D472,538 S	4/2003	Chan	
D495,312 S	8/2004	Fitzgerald	
D499,077 S	11/2004	Kudou et al.	
D512,703 S	12/2005	Ookawa	
D525,233 S	7/2006	Franck et al.	
D530,302 S	10/2006	Franck et al.	
D550,614 S *	9/2007	Fee et al.	..... D13/107
D556,729 S *	12/2007	Masashi et al.	..... D14/151
D558,749 S *	1/2008	Furuno et al.	..... D14/253
D559,225 S *	1/2008	Denhez et al.	..... D14/140
D561,731 S *	2/2008	Beasley et al.	..... D14/149
D562,797 S *	2/2008	Beasley et al.	..... D14/149
D570,324 S *	6/2008	Furuno et al.	..... D14/149
D570,325 S *	6/2008	Hasegawa et al.	..... D14/149
D576,997 S *	9/2008	Furuno et al.	..... D14/149
D584,297 S *	1/2009	Furuno et al.	..... D14/247
D599,771 S *	9/2009	Nakajima	..... D14/149
D599,772 S *	9/2009	Nakajima	..... D14/149
D603,365 S *	11/2009	Nakajima	..... D14/149
D603,366 S *	11/2009	Nakajima	..... D14/149
D608,350 S *	1/2010	Bo	..... D14/217
D610,567 S *	2/2010	Townsend	..... D14/149
D617,303 S *	6/2010	Hasegawa et al.	..... D14/149
D624,898 S *	10/2010	Hasegawa et al.	..... D14/149
D624,905 S *	10/2010	Lee	..... D14/229

\* cited by examiner

FIG.1

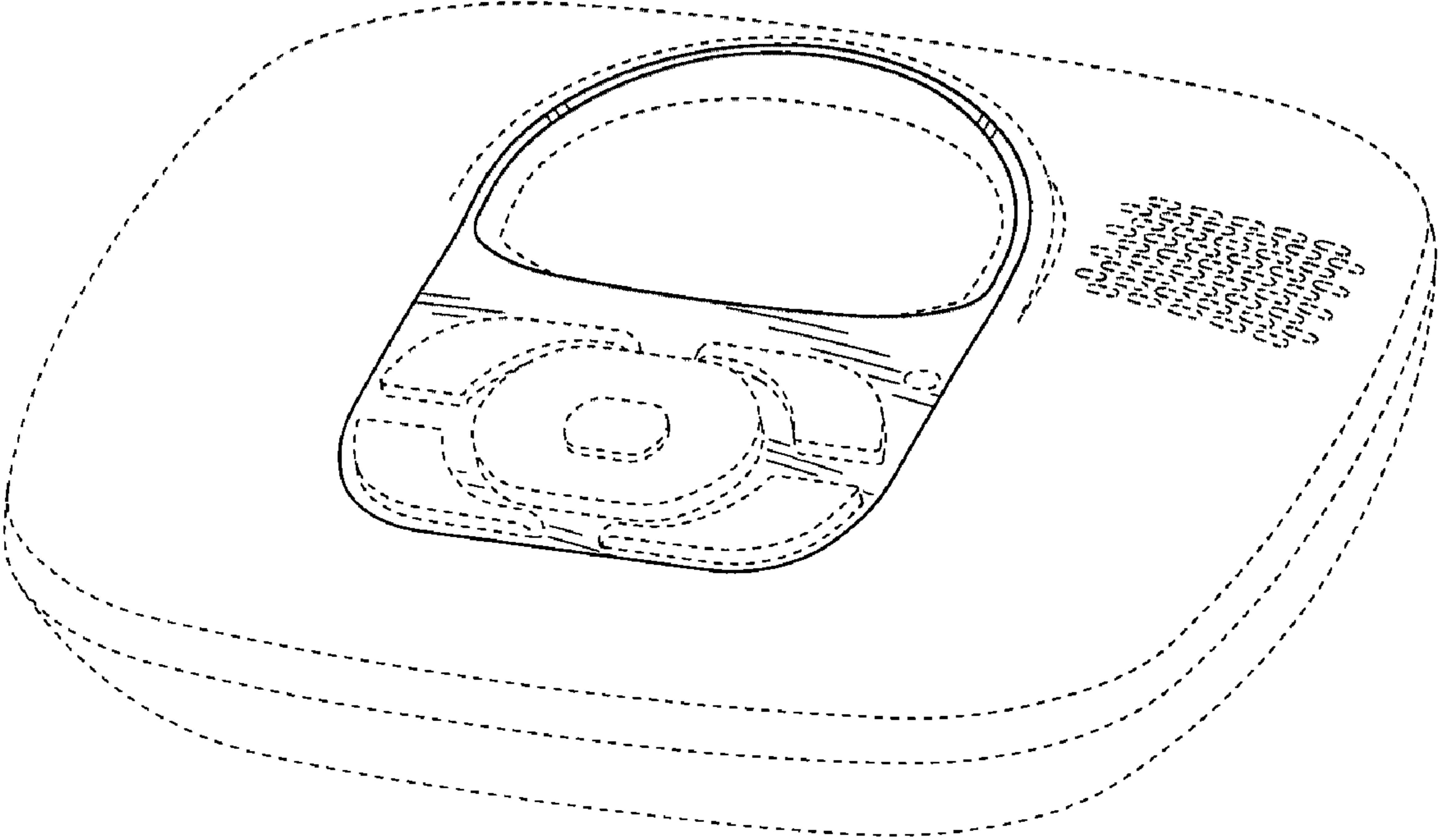


FIG.2

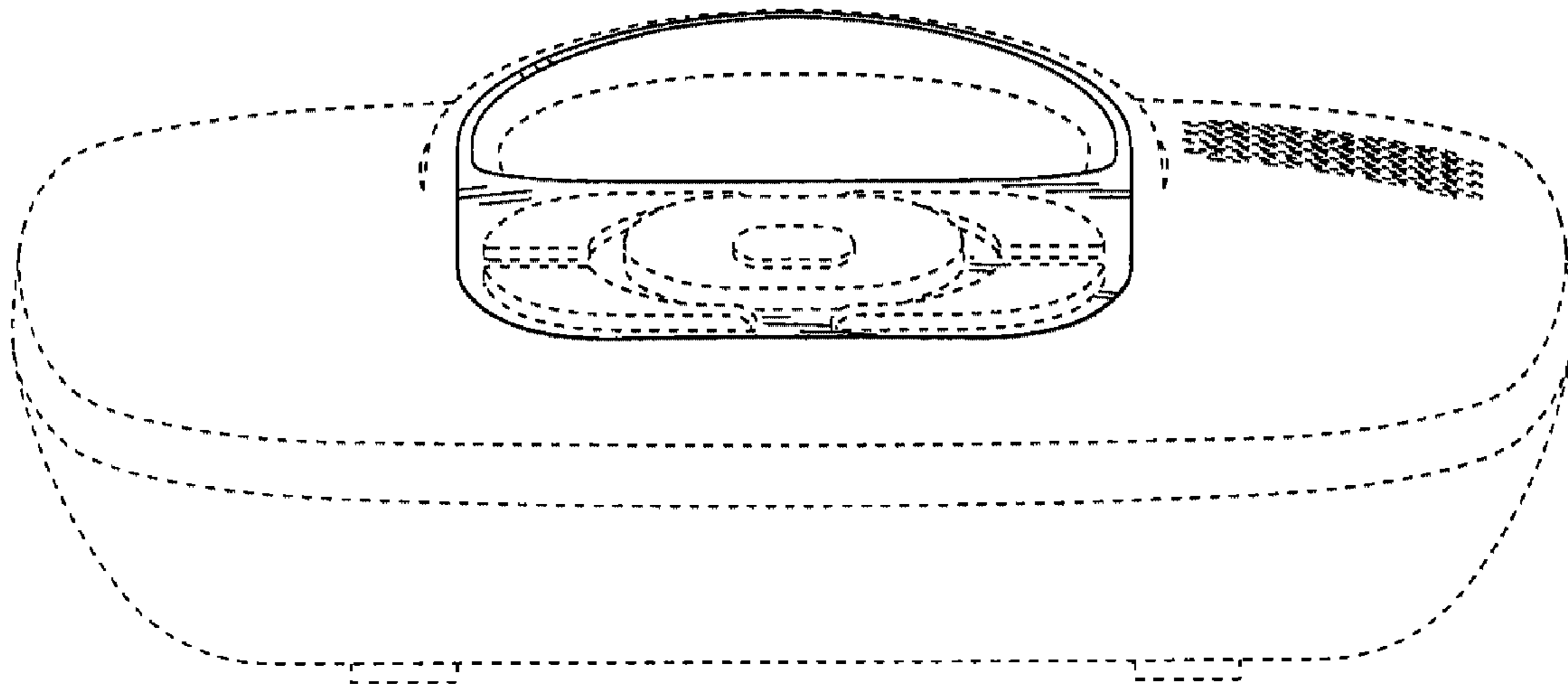


FIG.3

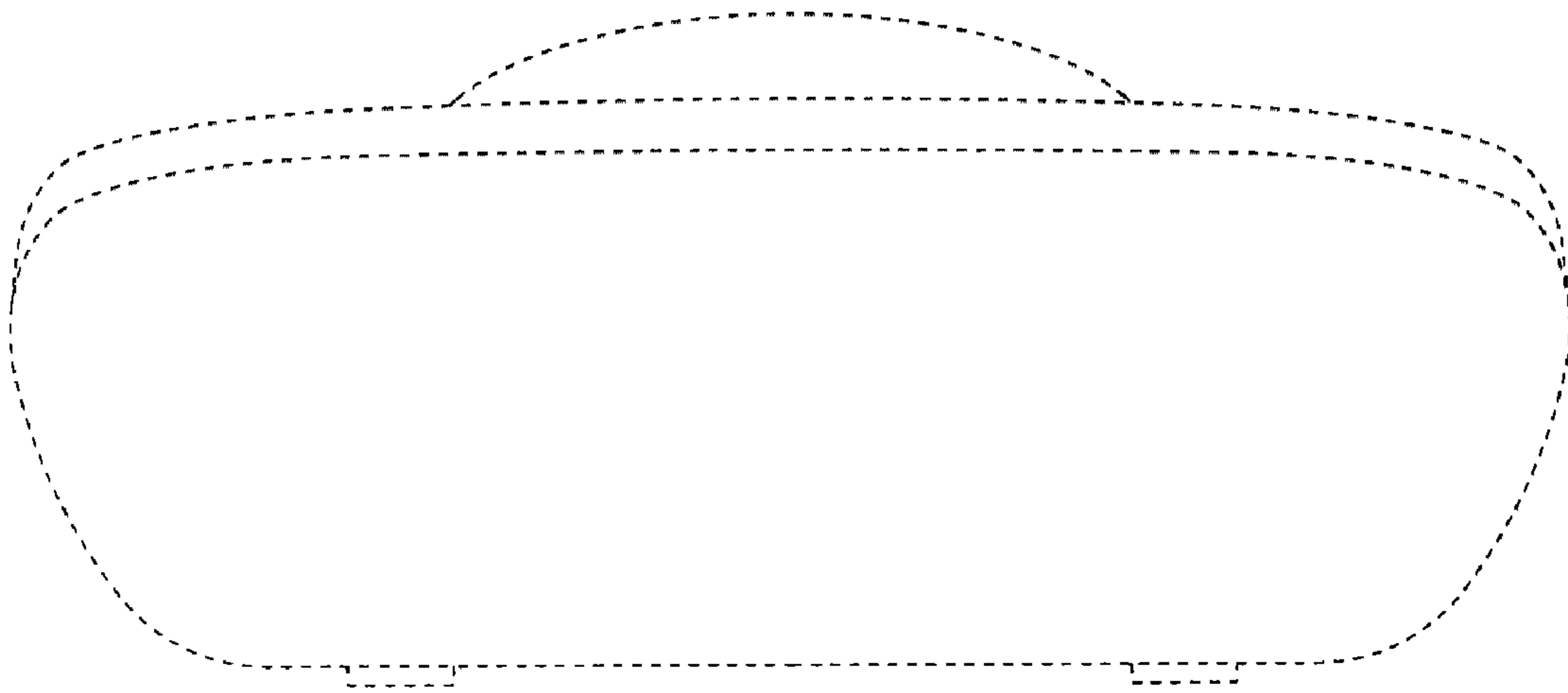


FIG.4

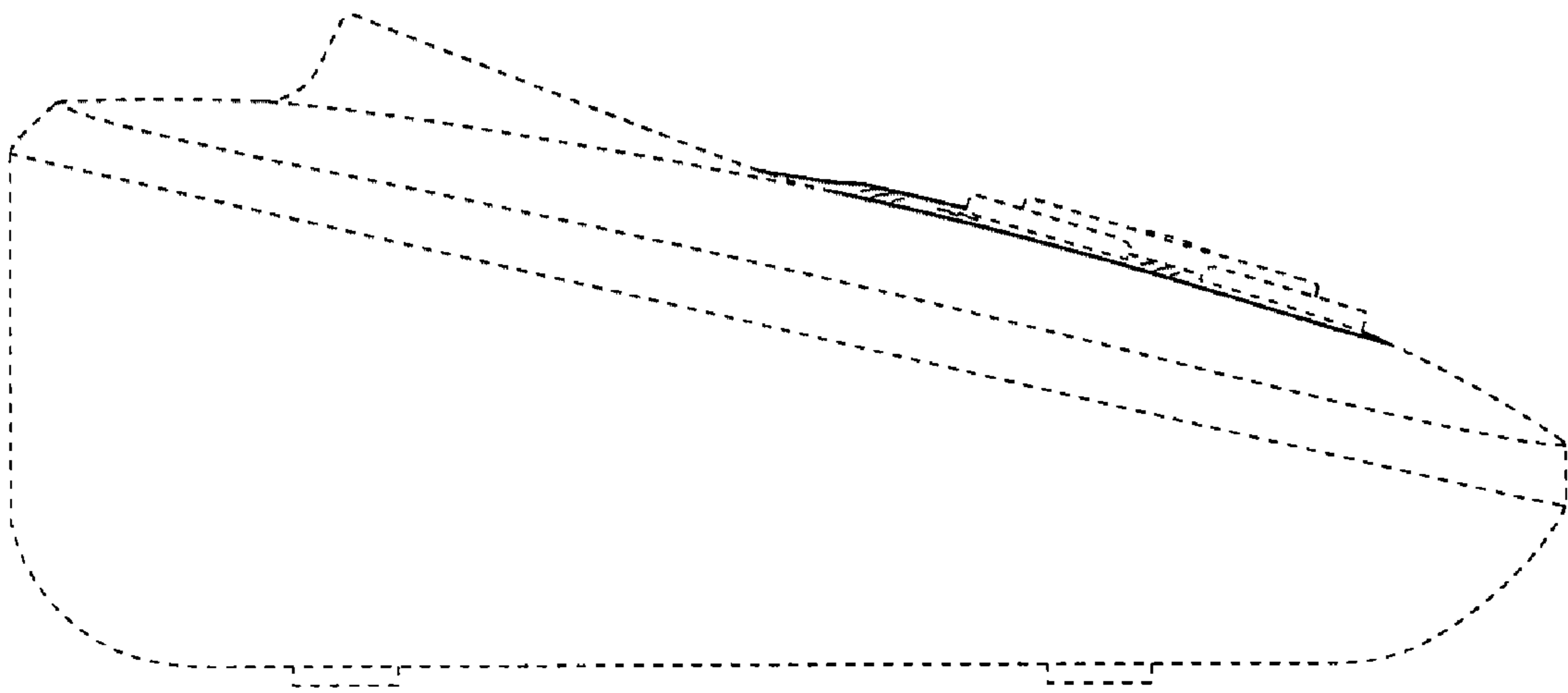


FIG.5

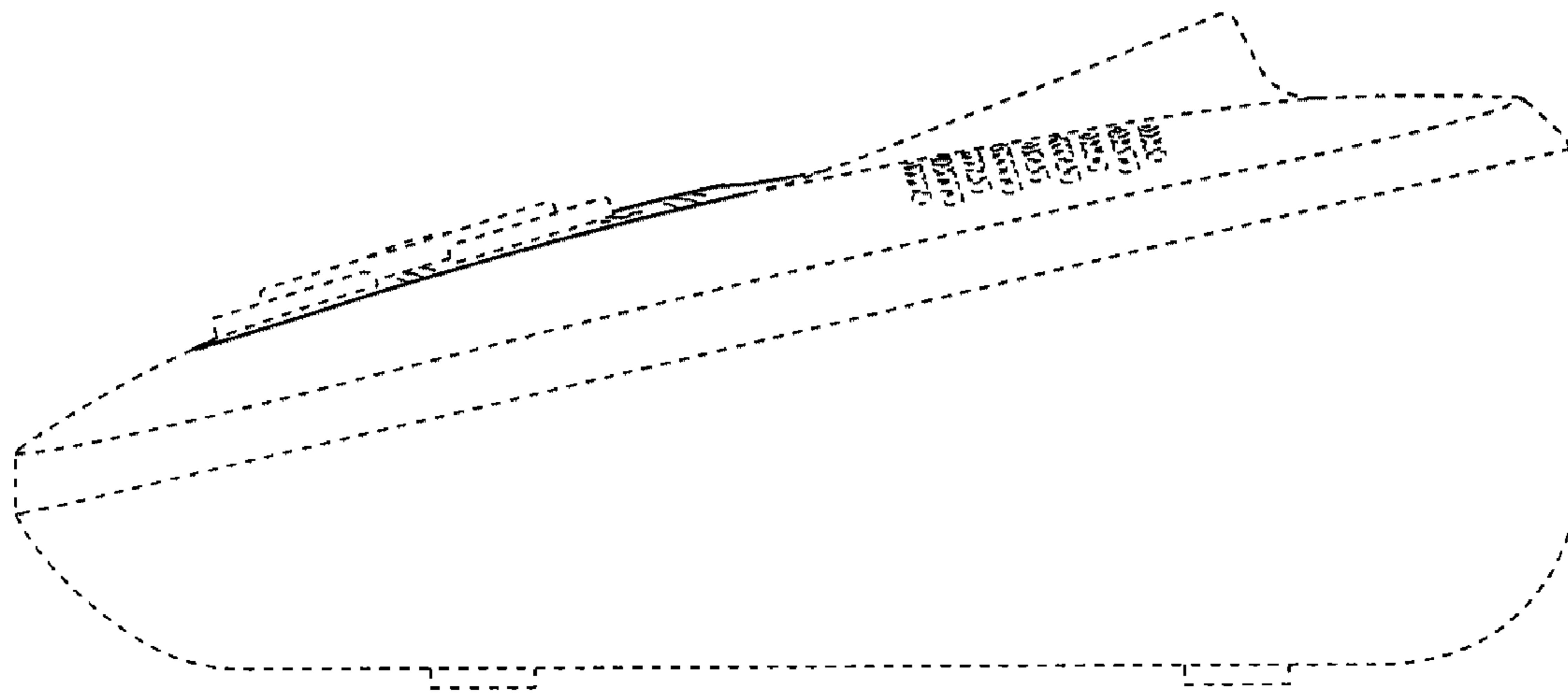


FIG.6

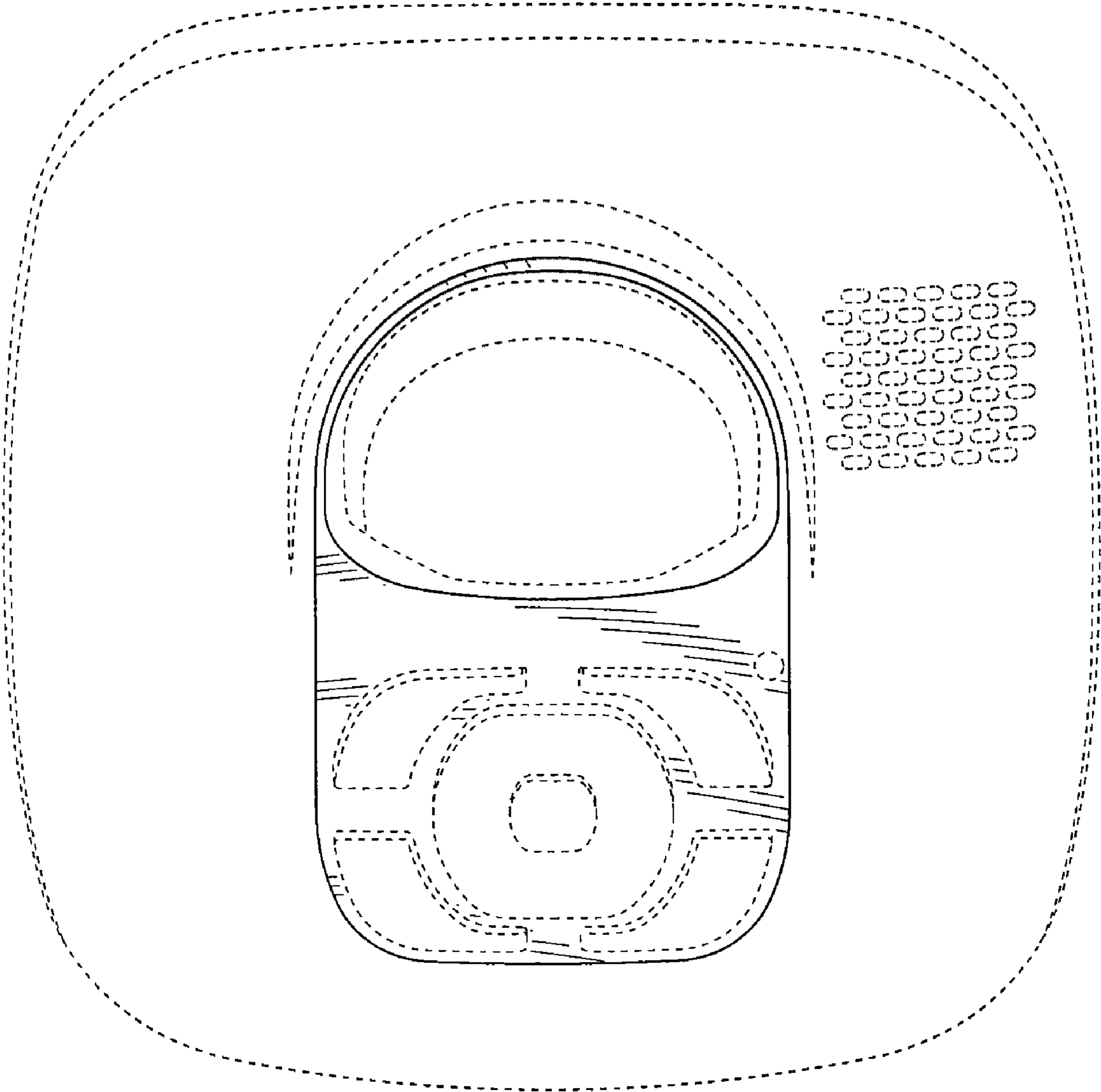




FIG.7

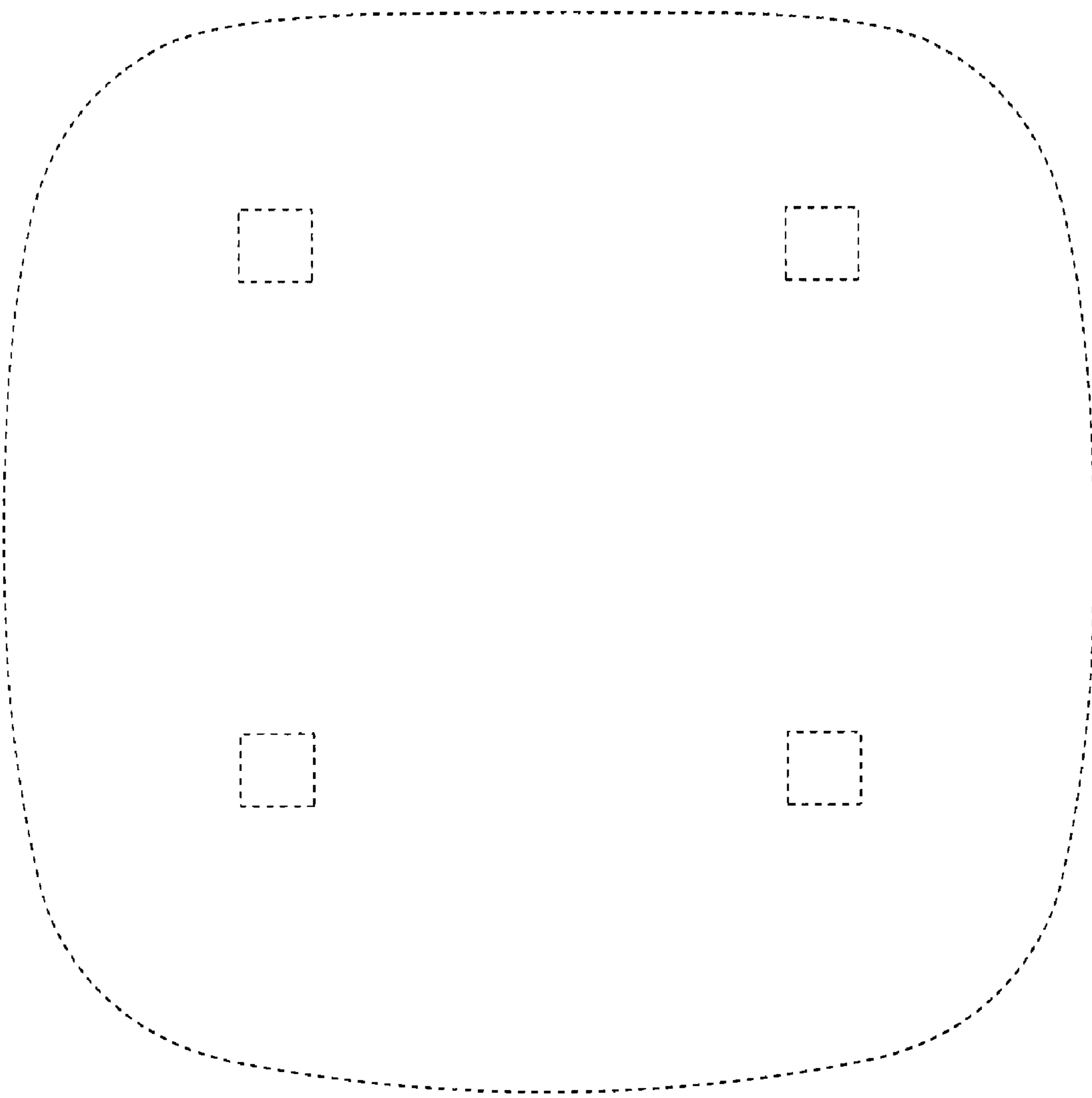


FIG.8

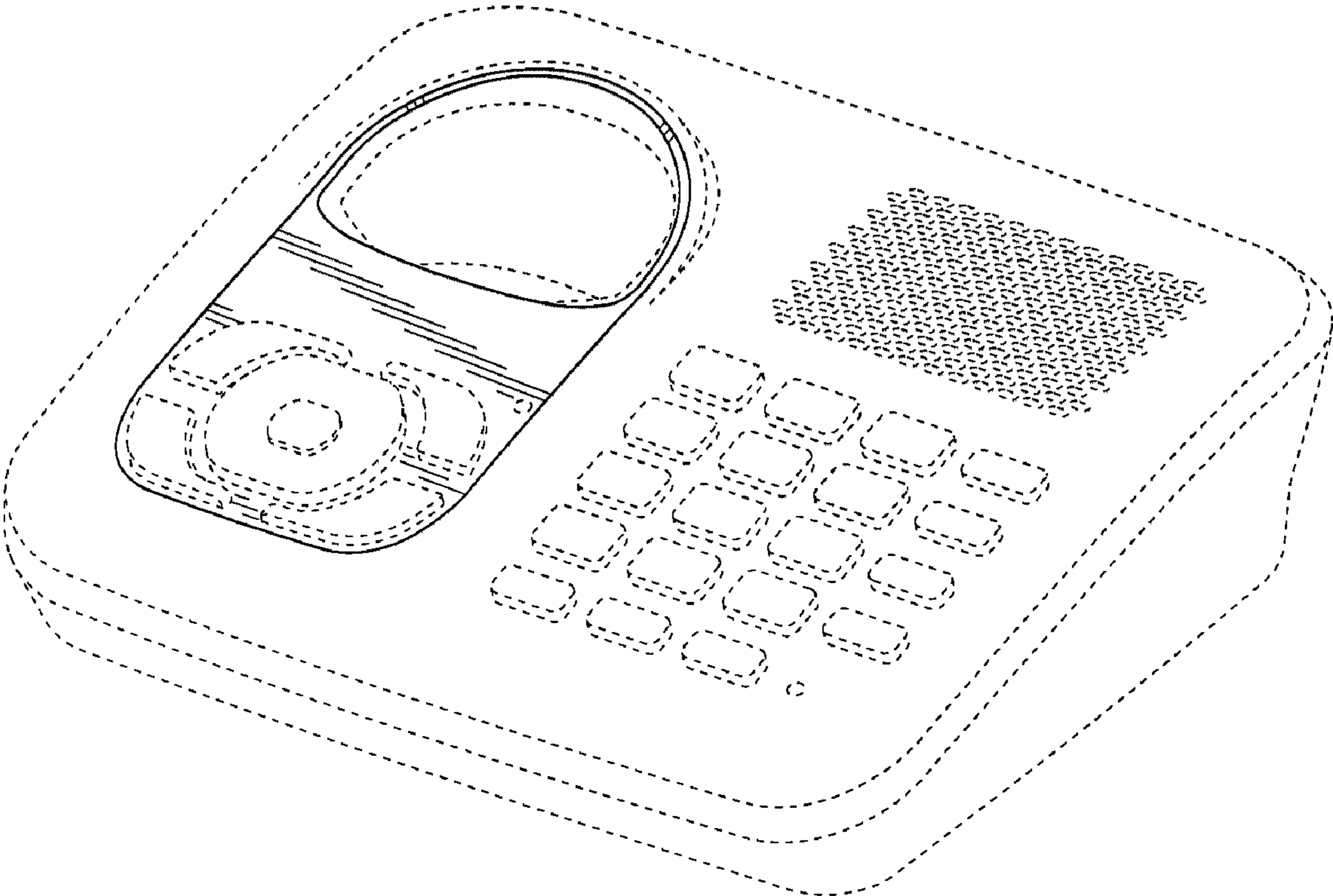


FIG.9

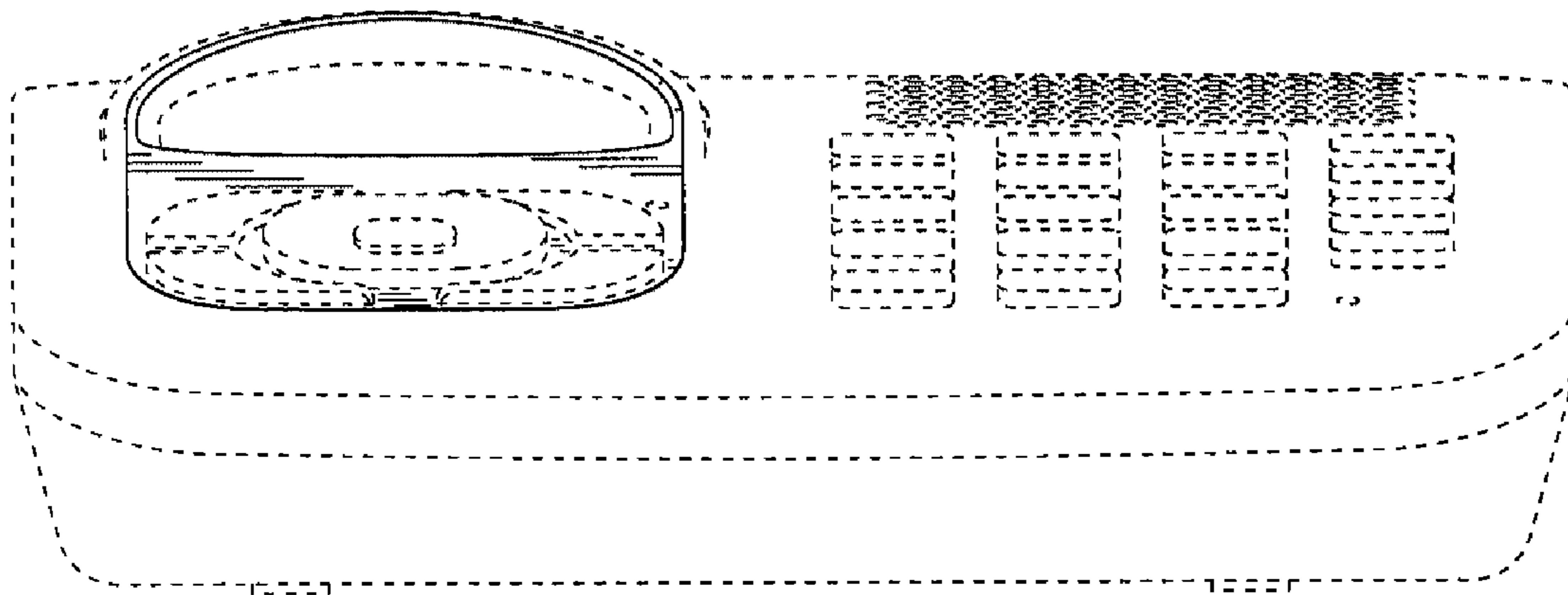


FIG.10

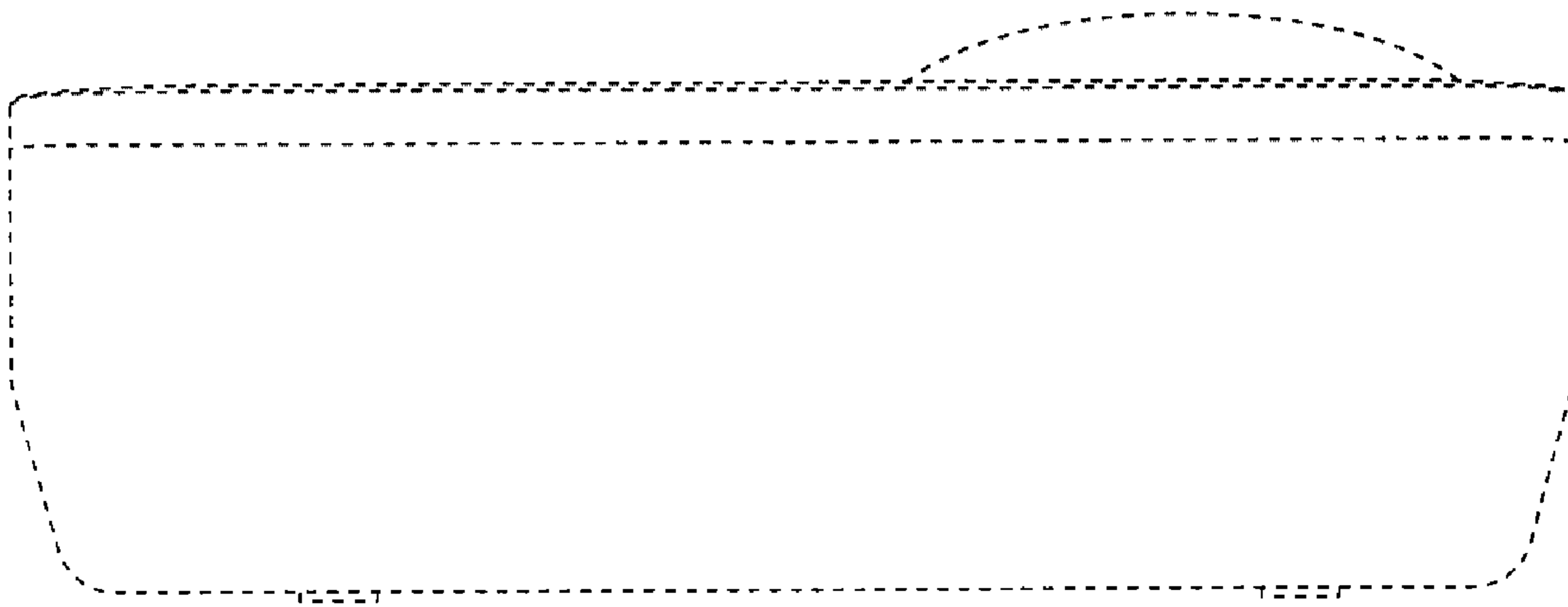


FIG.11

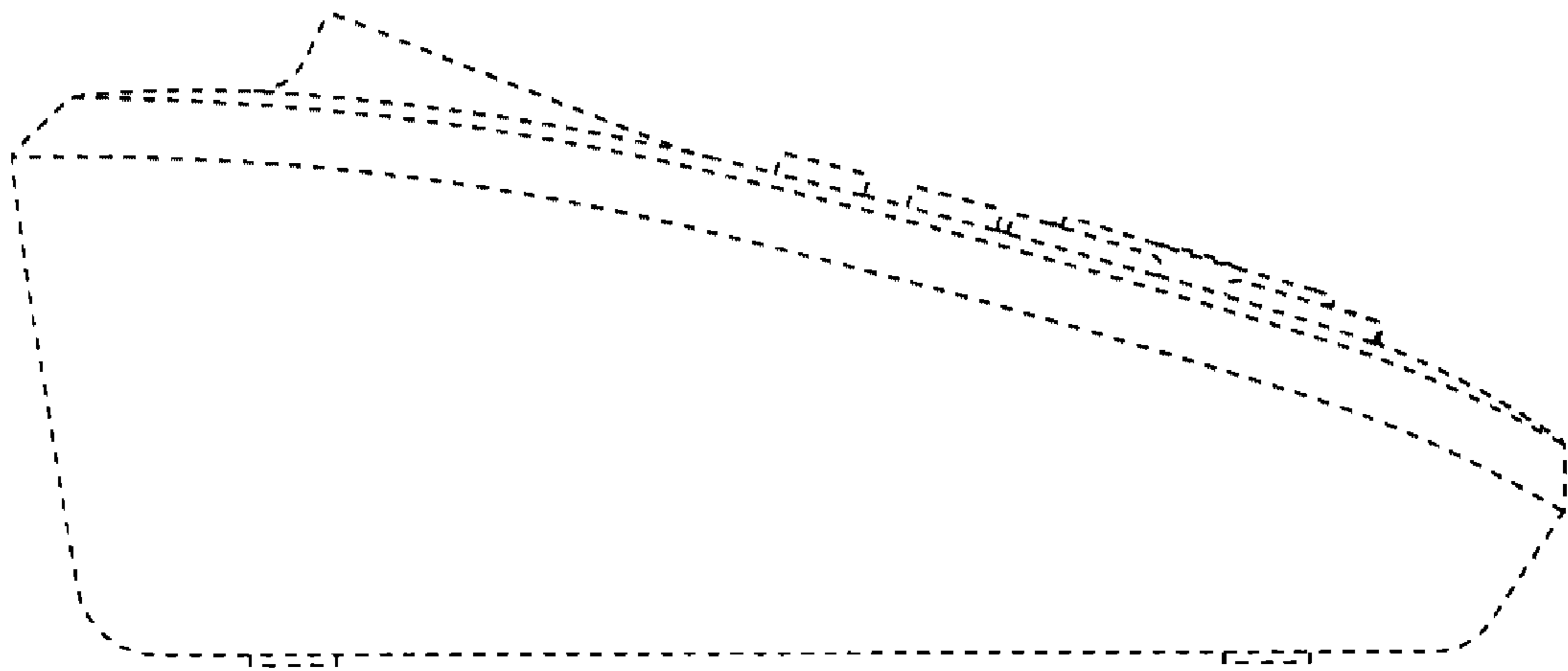


FIG.12

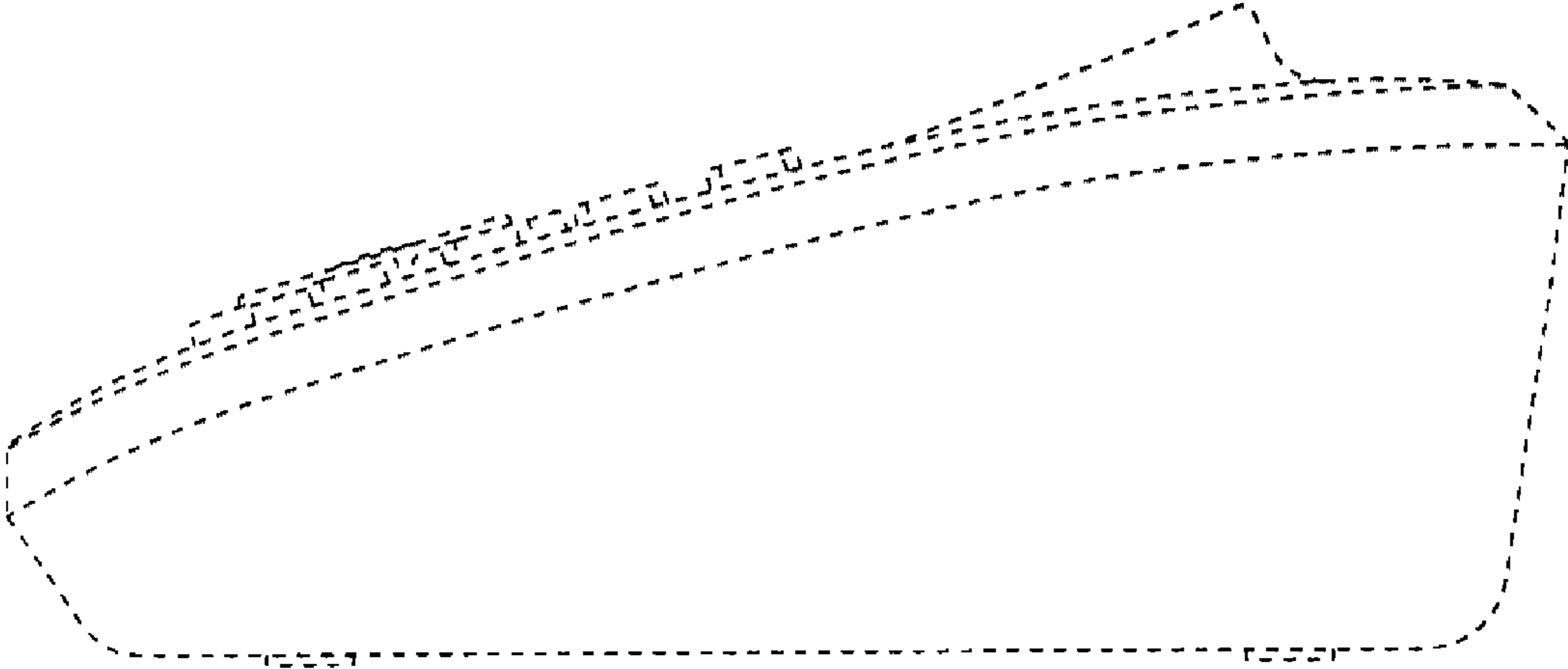


FIG.13

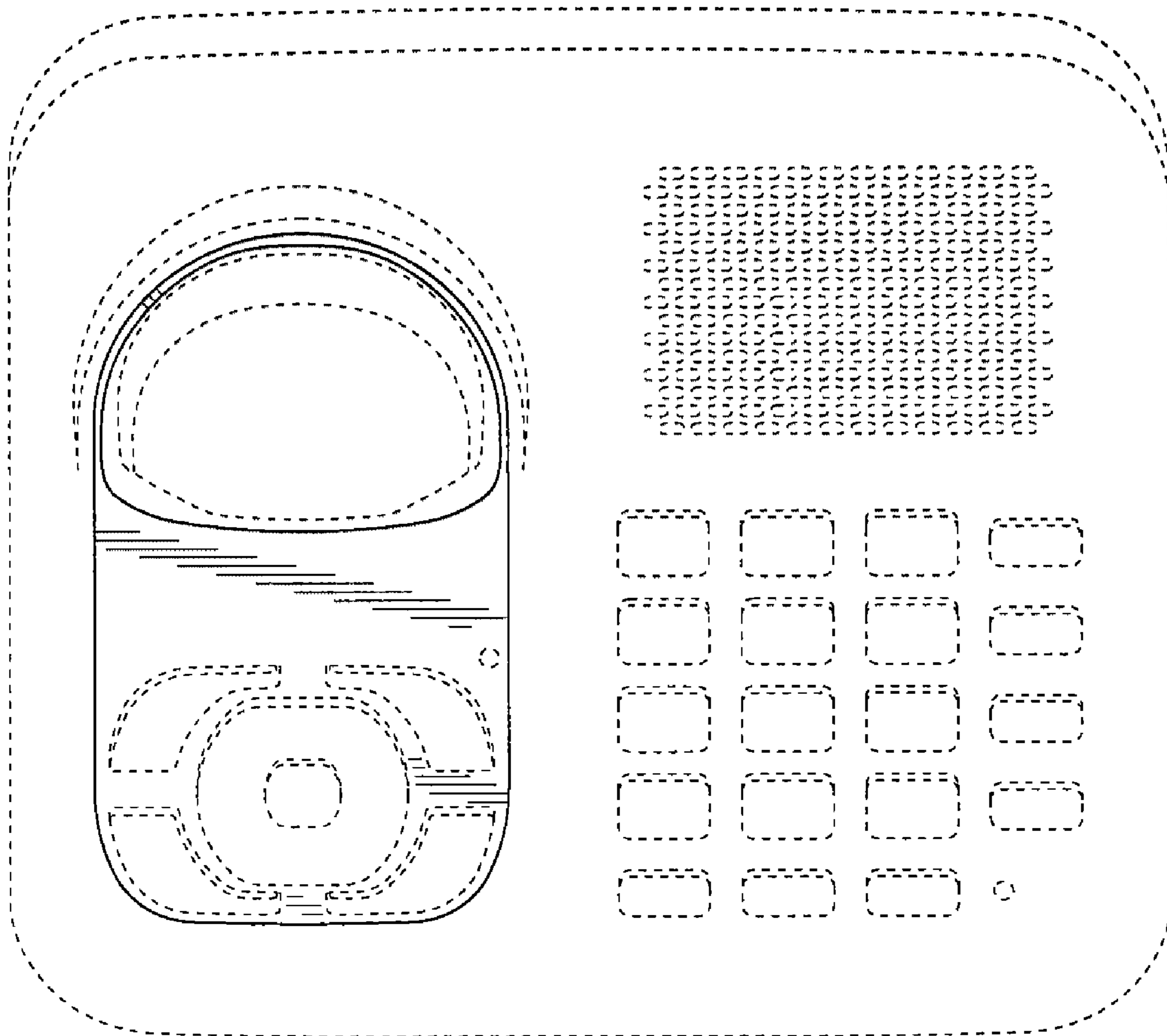


FIG.14

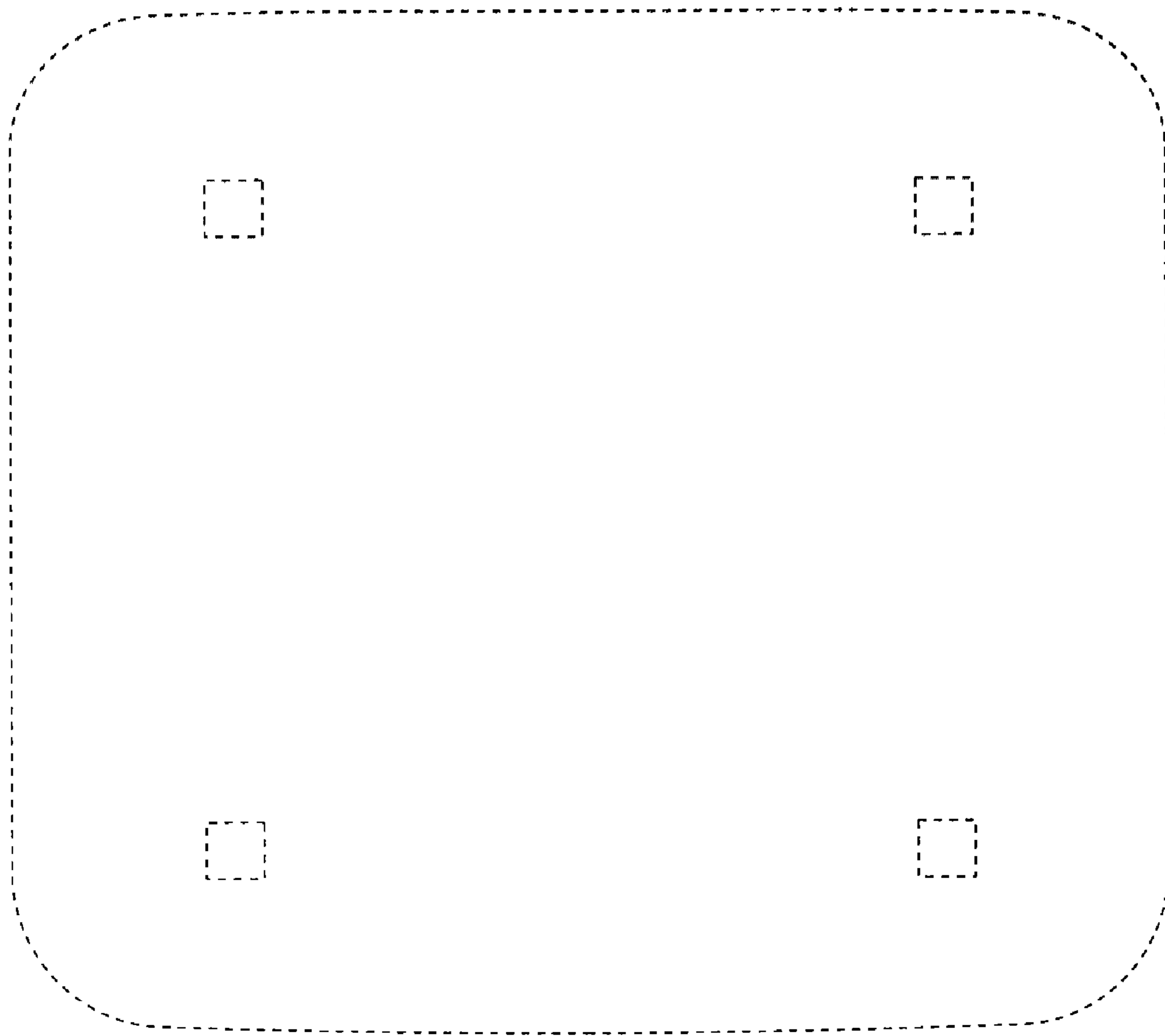




FIG.15

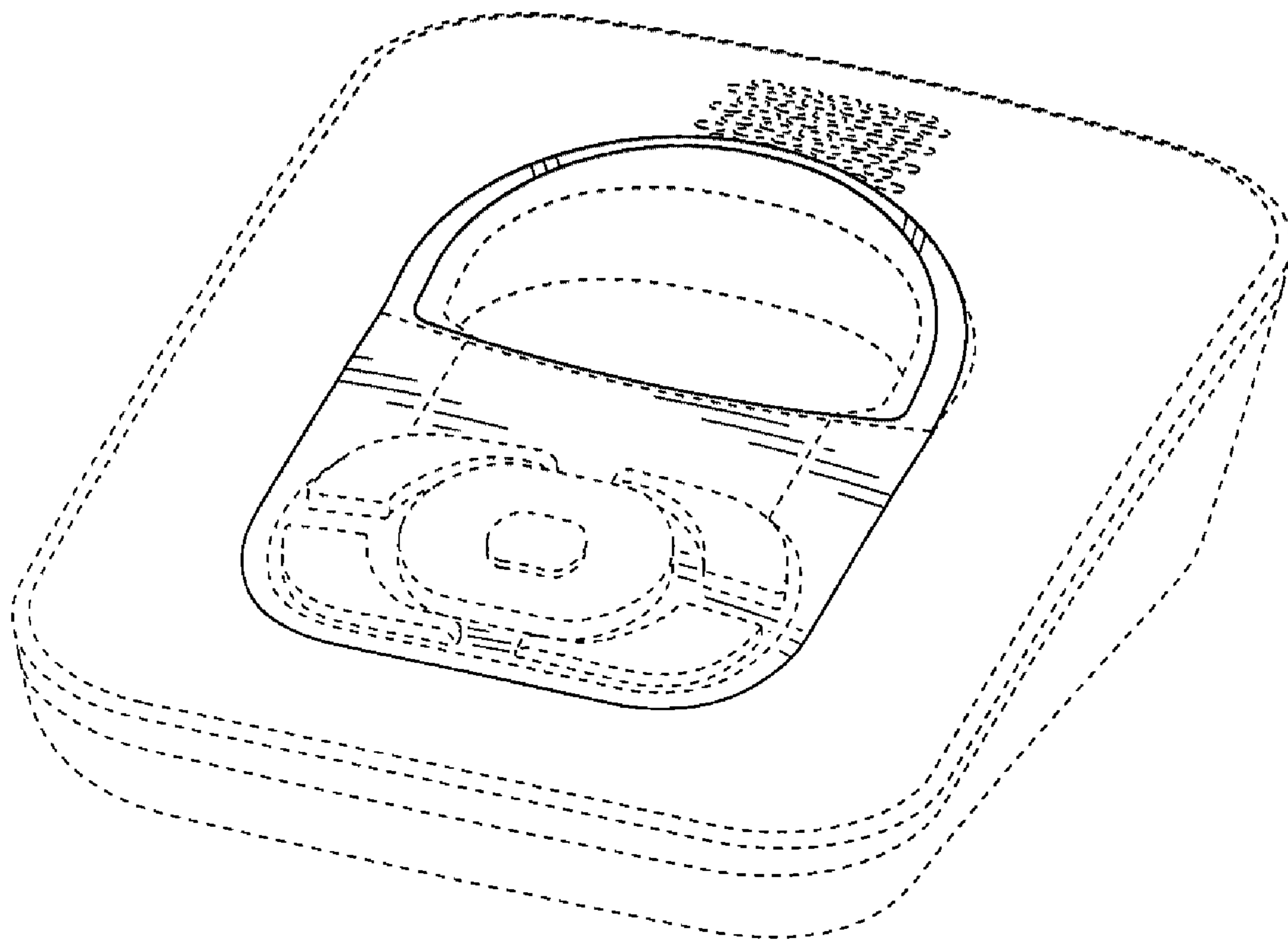


FIG.16

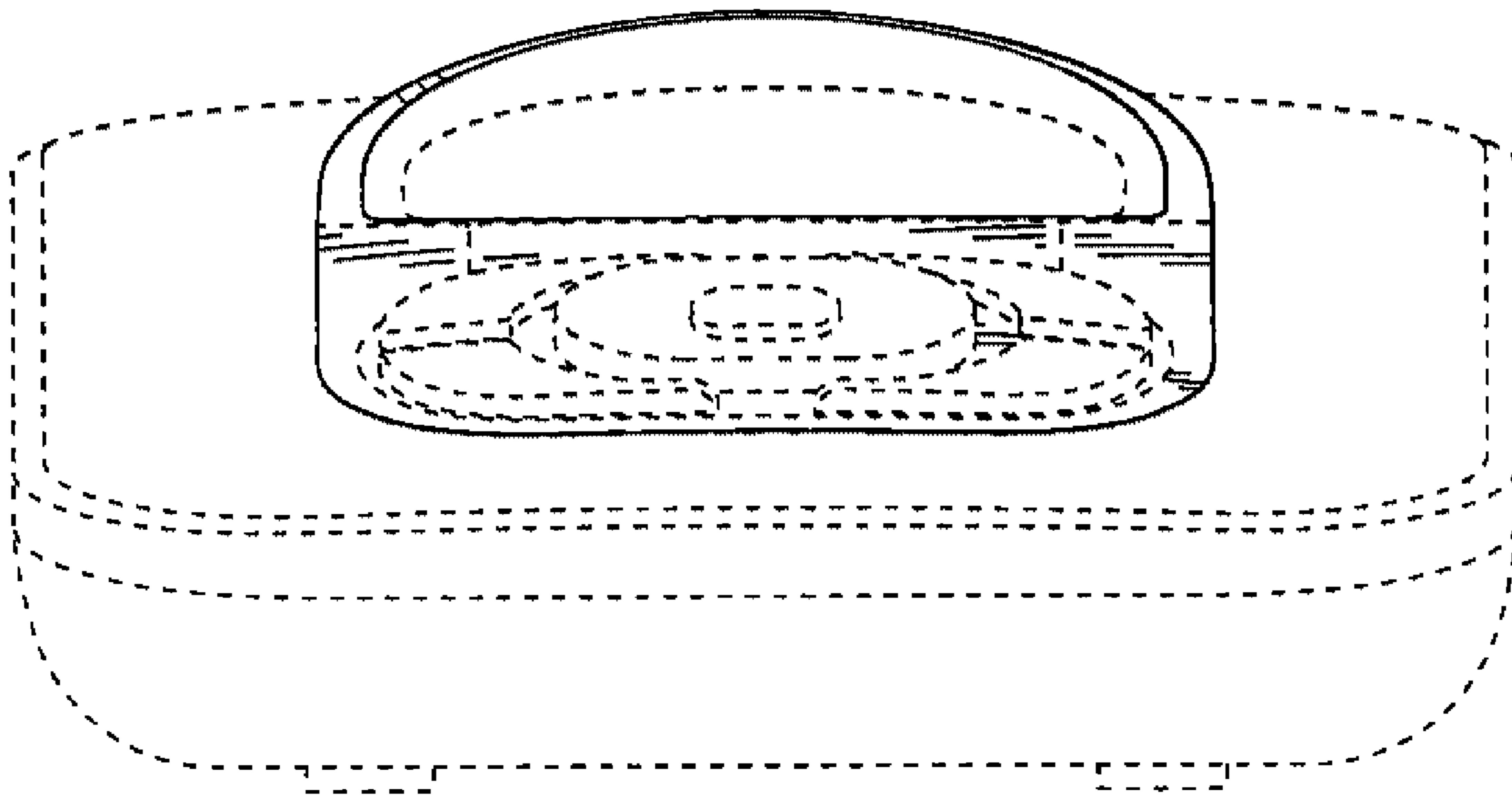


FIG.17

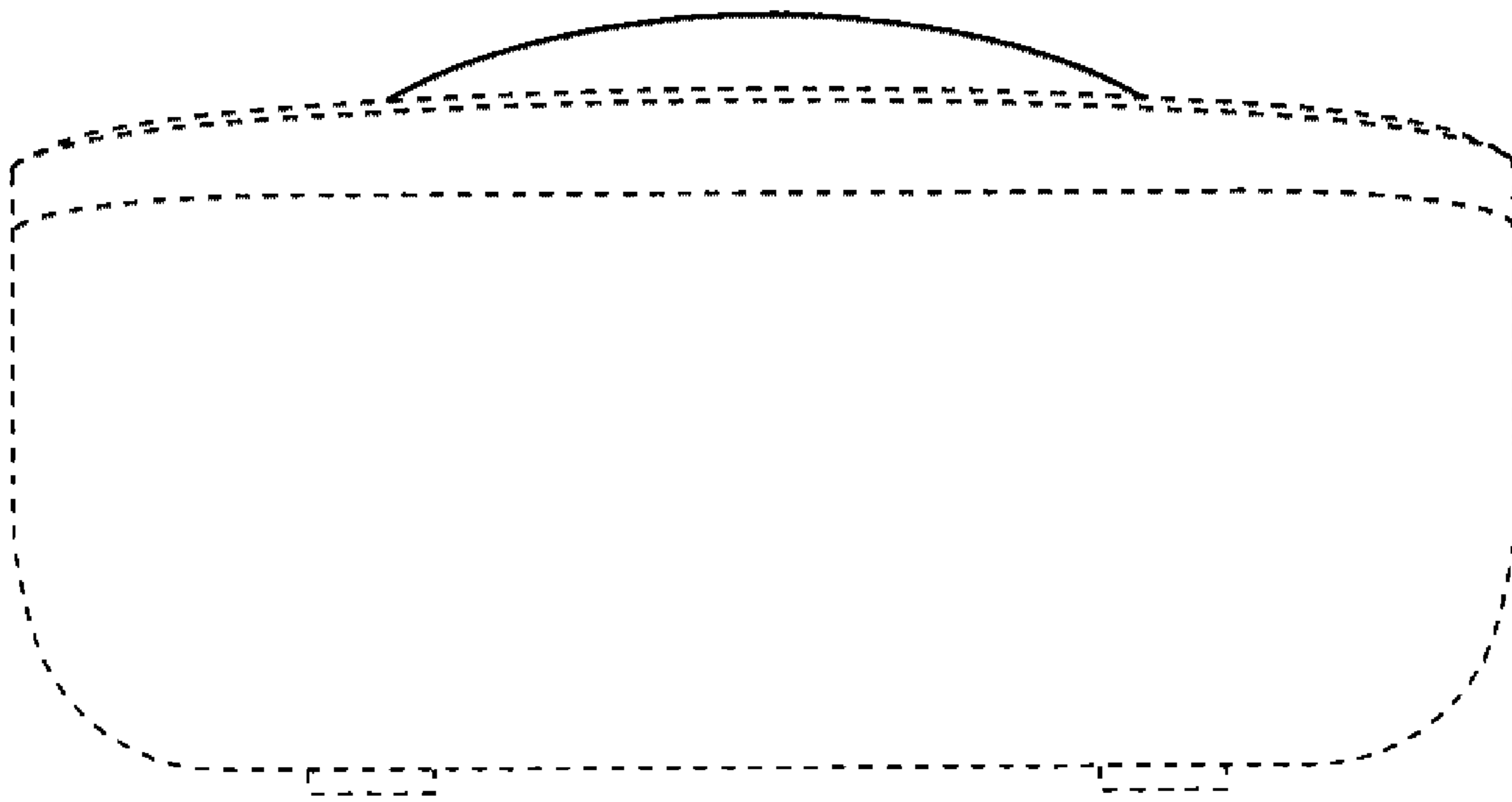


FIG.18

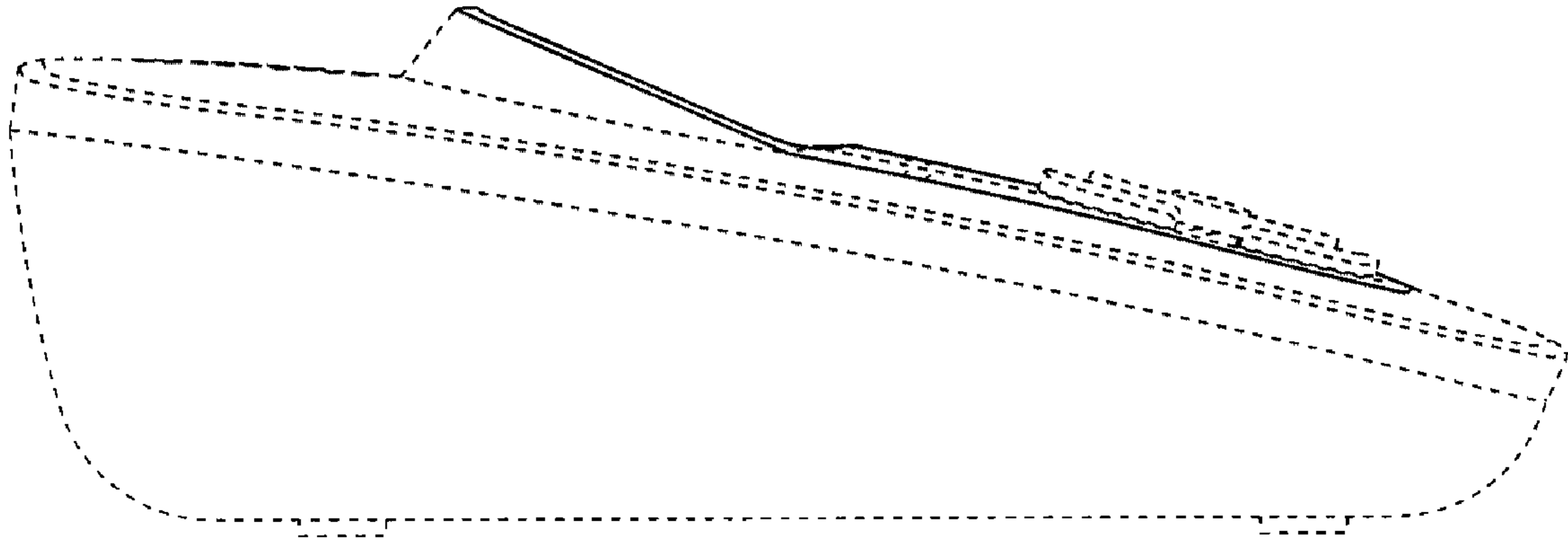


FIG.19

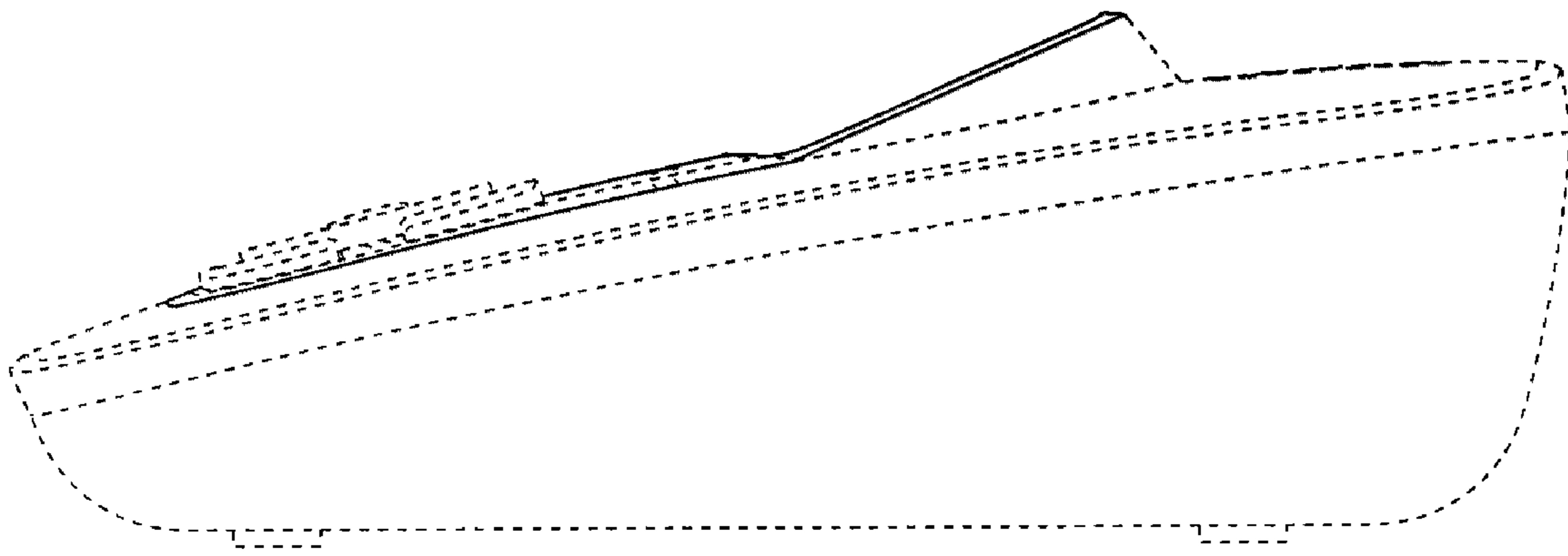


FIG.20

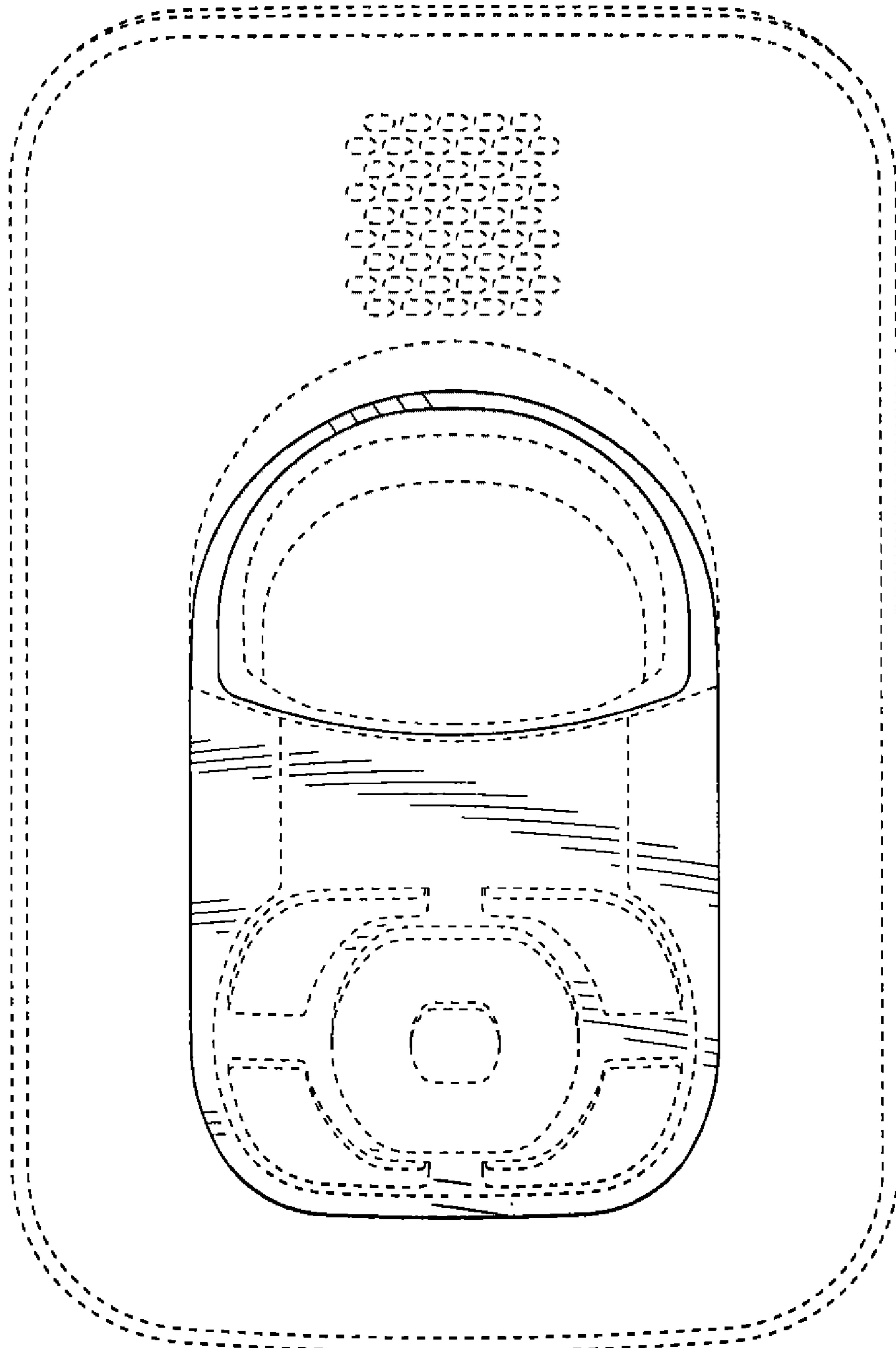


FIG.21

