



US00D635109S

(12) **United States Design Patent**
Fantaay

(10) **Patent No.:** **US D635,109 S**

(45) **Date of Patent:** **** Mar. 29, 2011**

(54) **ENTERTAINMENT DEVICE WITH CRADLE**

(76) Inventor: **Jordan Fantaay**, Davenport, FL (US)

(**) Term: **14 Years**

(21) Appl. No.: **29/370,504**

(22) Filed: **Jul. 27, 2010**

(51) **LOC (9) Cl.** **14-03**

(52) **U.S. Cl.** **D14/129**

(58) **Field of Classification Search** D14/125-134,
D14/239, 371, 136, 374-377, 440, 450, 448,
D14/336, 342; 312/7.2; 348/836, 838, 180,
348/184, 325, 739; 341/12; 248/917-924,
248/465; 345/104, 133, 156, 168, 87, 173;
720/605, 669, 600, 655; 369/99, 197; 455/344,
455/347; D21/329, 515, 577, 622, 333, 433,
D21/448, 452, 450, 331; D6/477, 479, 300;
273/148 B; 446/484, 175, 356; D10/15,
D10/26

See application file for complete search history.

(56) **References Cited**

U.S. PATENT DOCUMENTS

D474,737 S * 5/2003 Yoshida D13/108
D510,919 S * 10/2005 Kubota et al. D14/126
7,019,794 B2 * 3/2006 Norvell et al. 348/838
D536,011 S * 1/2007 Dayan D16/208

D536,360 S * 2/2007 Dayan D16/242
D566,071 S * 4/2008 Kaneko D14/126
D571,560 S * 6/2008 Liu et al. D6/300
D585,401 S * 1/2009 Otani D14/134
D611,142 S * 3/2010 Melder D24/137
D611,438 S * 3/2010 Kubota D14/126
D619,553 S * 7/2010 Katsumata D14/126
D622,240 S * 8/2010 Liu et al. D14/126
D629,373 S * 12/2010 Kim et al. D14/126

* cited by examiner

Primary Examiner — Raphael Barkai

(74) *Attorney, Agent, or Firm* — P. Jeff Martin

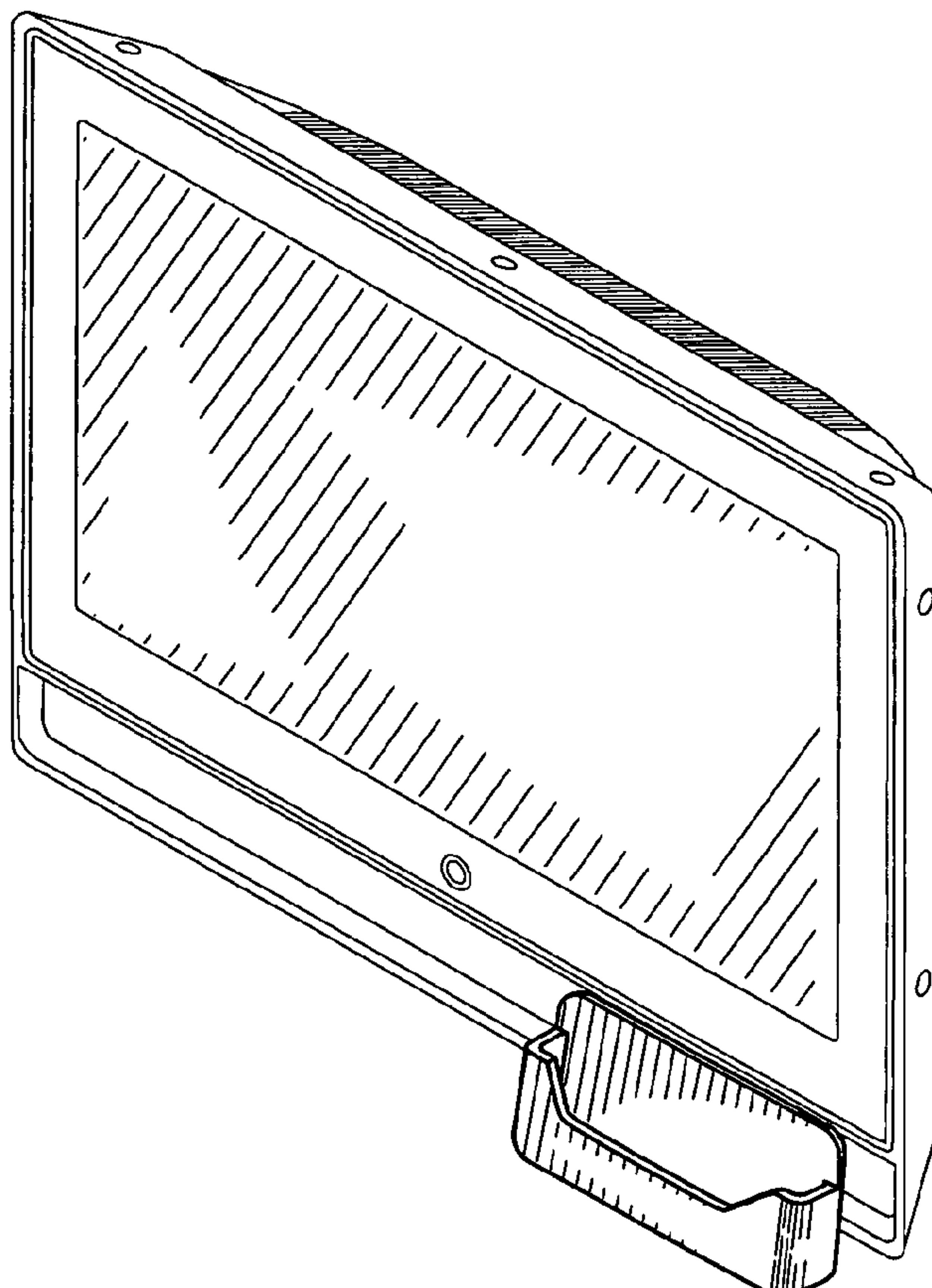
(57) **CLAIM**

The ornamental design for an entertainment device with cradle, as shown and described.

DESCRIPTION

FIG. 1 is a front perspective view of an entertainment device with cradle showing my new design;
FIG. 2 is a right side view thereof;
FIG. 3 is a left side view thereof;
FIG. 4 is a front view thereof;
FIG. 5 is a rear view thereof;
FIG. 6 is a top plan view thereof; and,
FIG. 7 is a bottom plan view thereof.

1 Claim, 3 Drawing Sheets



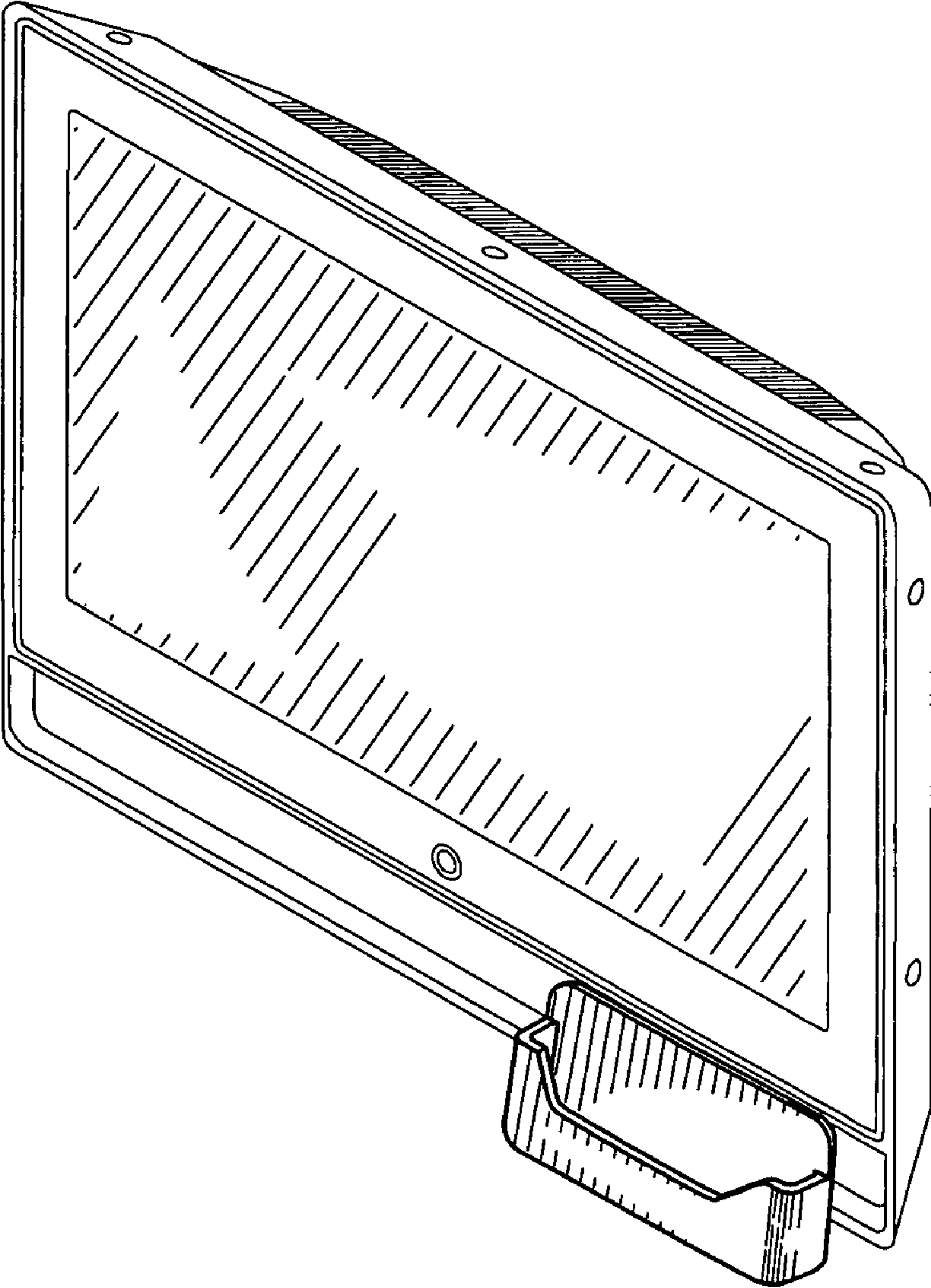


FIG. 1

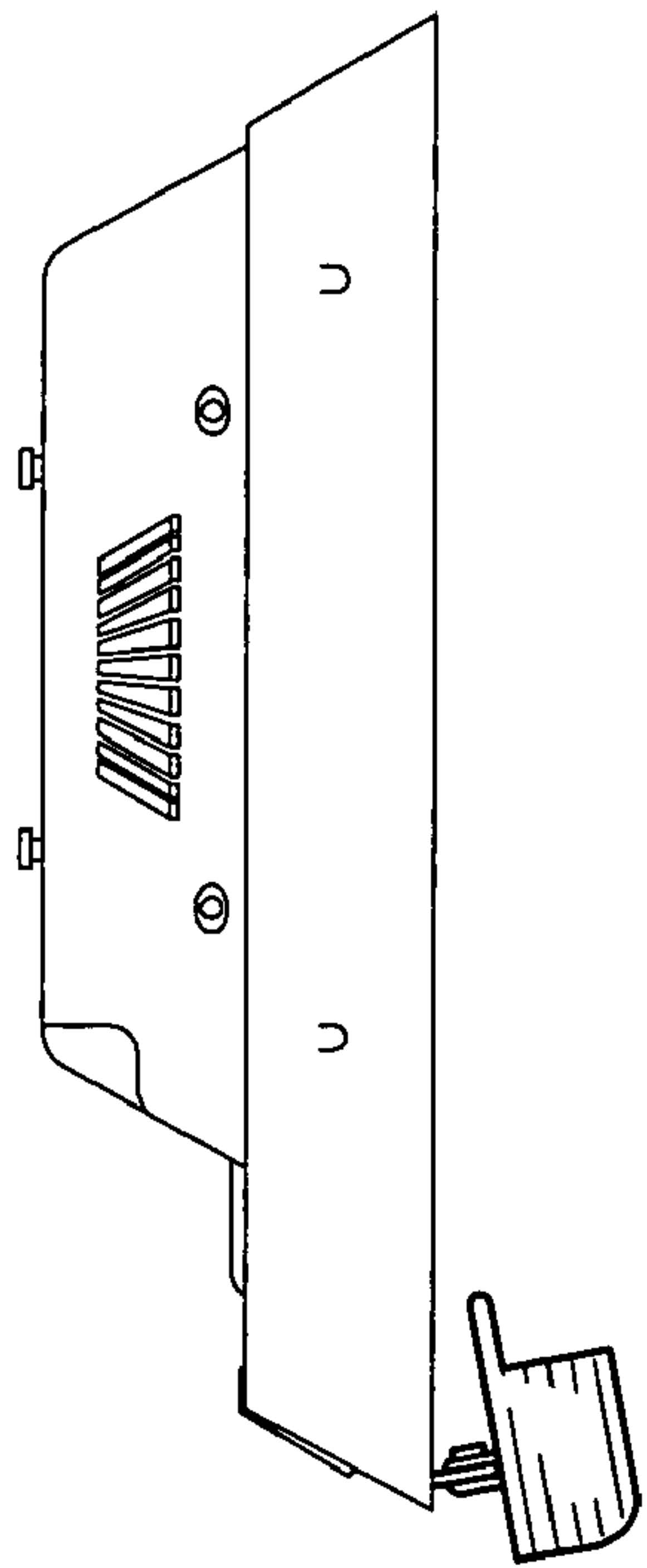


FIG. 2

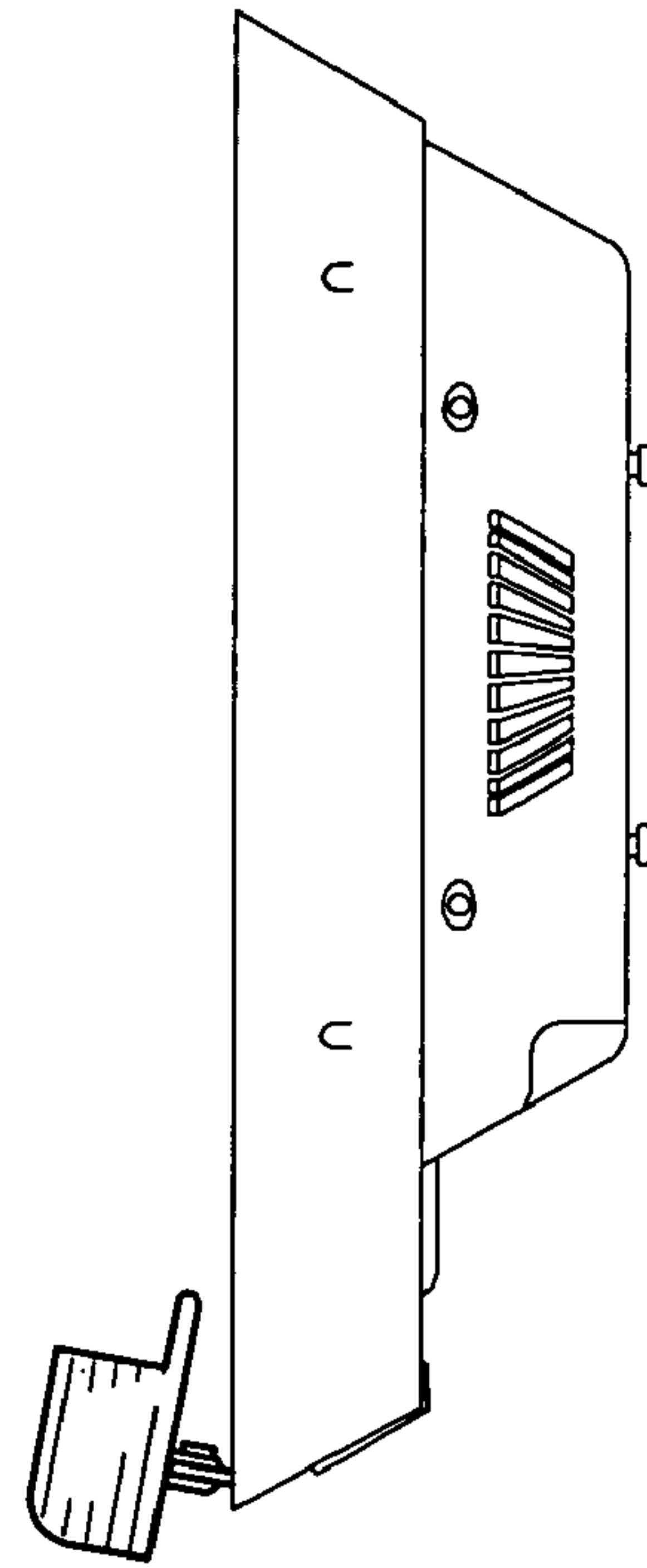


FIG. 3

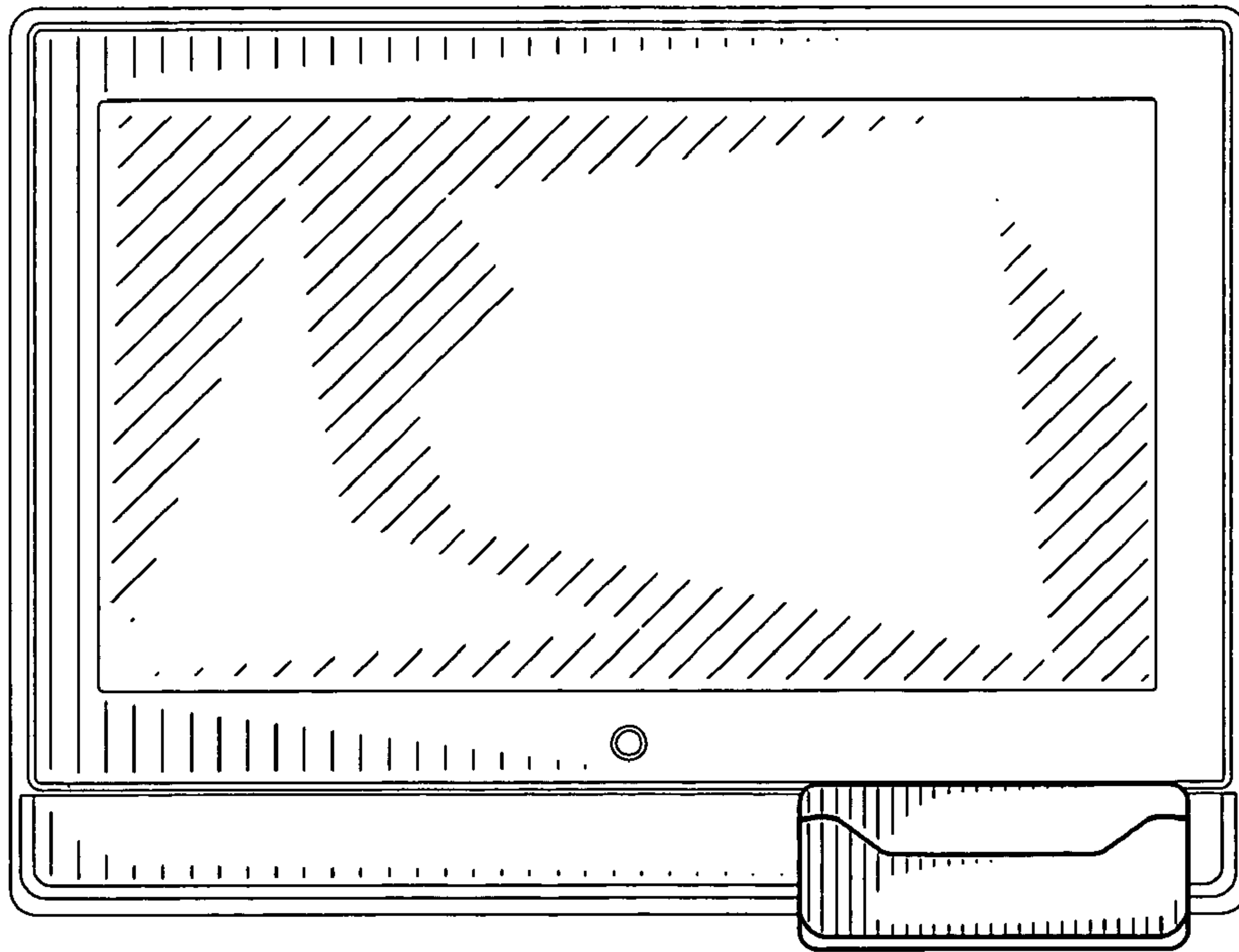


FIG. 4

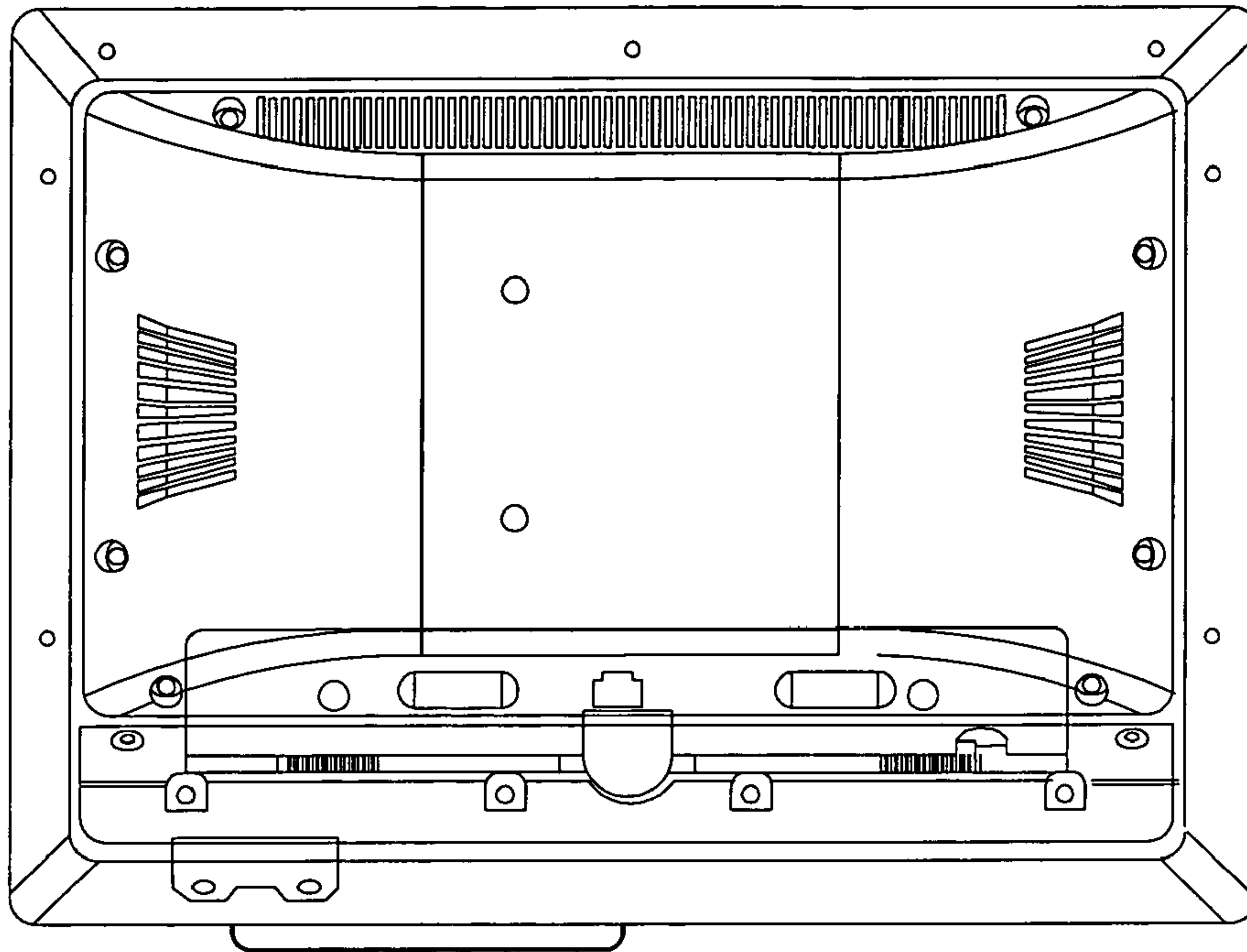


FIG. 5

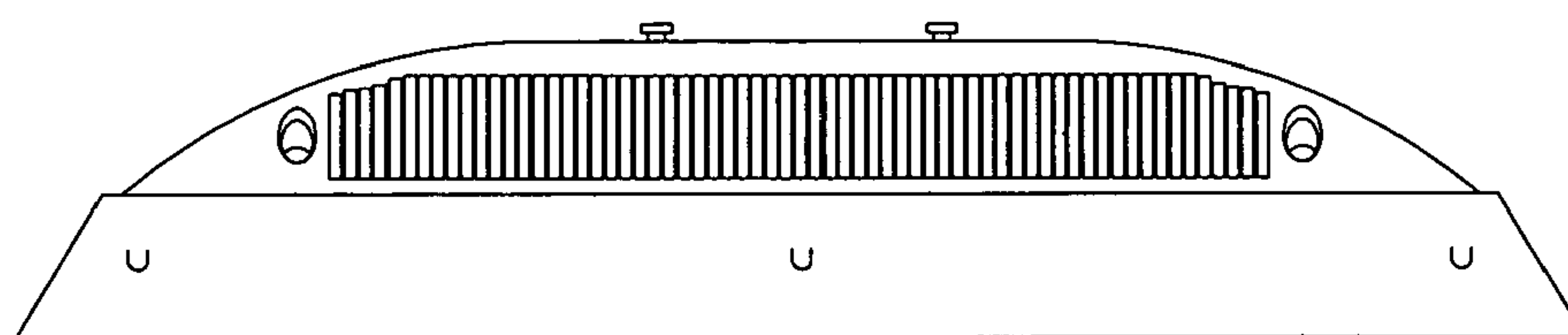


FIG. 6

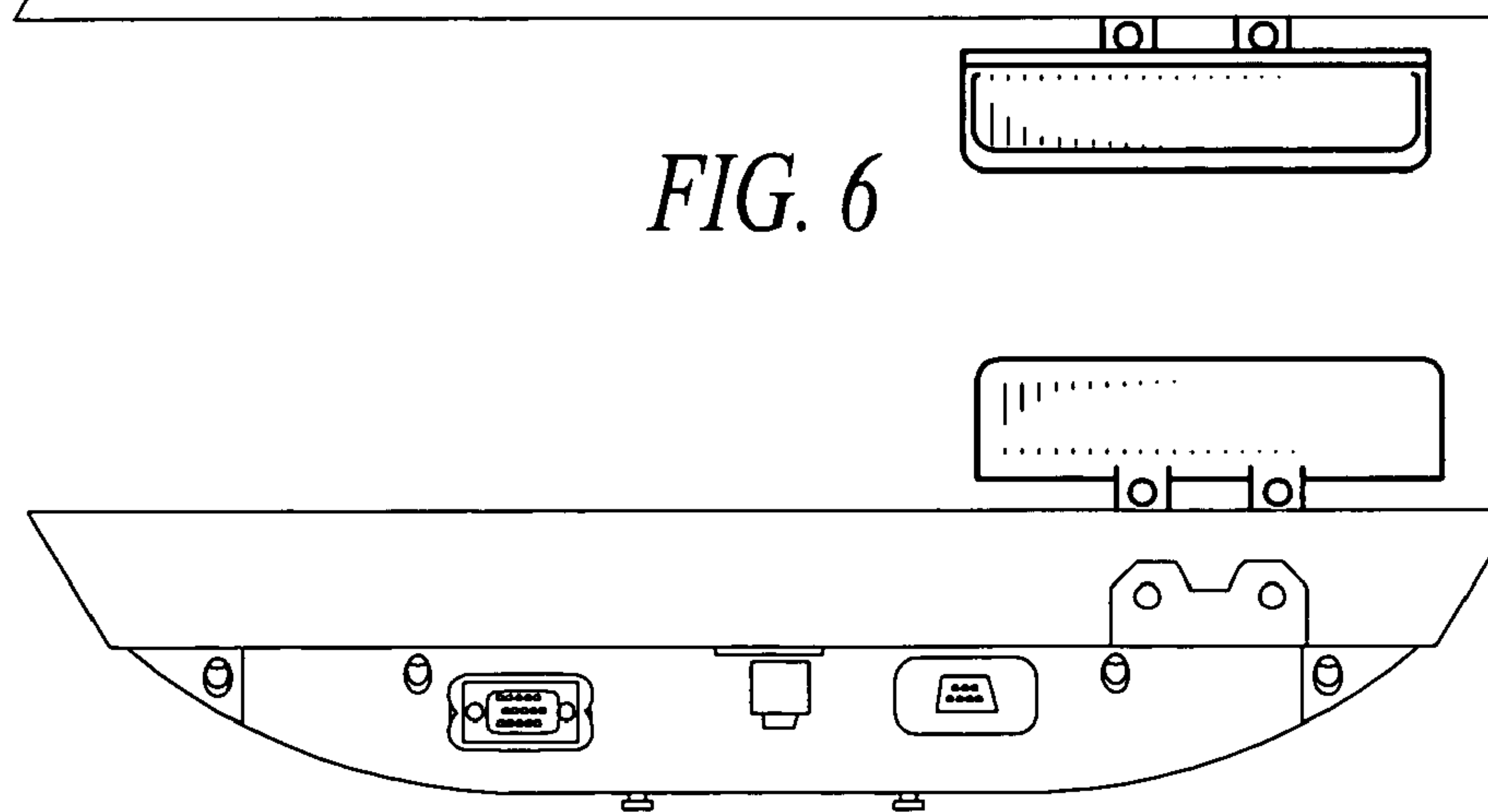


FIG. 7