

US00D635107S

(12) **United States Design Patent**
Chu

(10) **Patent No.:** **US D635,107 S**

(45) **Date of Patent:** **** Mar. 29, 2011**

(54) **LCD TV**

(75) **Inventor:** **Yen-Ying Chu, Zhonghe (TW)**

(73) **Assignee:** **Top Victory Investments Ltd., Harbour (HK)**

(**) **Term:** **14 Years**

(21) **Appl. No.:** **29/366,236**

(22) **Filed:** **Jul. 22, 2010**

(51) **LOC (9) Cl.** **14-03**

(52) **U.S. Cl.** **D14/126**

(58) **Field of Classification Search** D14/125-134,
D14/239, 371, 136, 374-377, 440, 450, 448,
D14/336, 342; 312/7.2; 348/836, 838, 180,
348/184, 325, 739; 341/12; 248/917-924,
248/465; 345/104, 133, 156, 168, 87, 173;
720/605, 669, 600, 655; 369/99, 197; 455/344,
455/347; D21/329, 515, 577, 622, 333, 433,
D21/448, 452, 450, 331; D6/477, 479, 300;
273/148 B; 446/484, 175, 356; D10/15,
D10/26

See application file for complete search history.

(56) **References Cited**

U.S. PATENT DOCUMENTS

D499,730 S * 12/2004 Yamashiro D14/375
D557,228 S * 12/2007 Matsumoto et al. D14/126

D565,518 S * 4/2008 Tu D14/126
D568,844 S * 5/2008 Fujii et al. D14/126
D576,972 S * 9/2008 Niitsu D14/126
D580,896 S * 11/2008 Niitsu D14/126
D584,256 S * 1/2009 Kita D14/126
D584,703 S * 1/2009 Kimura et al. D14/126
D597,976 S * 8/2009 Gredler et al. D14/126
D598,874 S * 8/2009 Lin et al. D14/126
D599,759 S * 9/2009 Chino D14/126
D620,907 S * 8/2010 Shimizu D14/126
D623,613 S * 9/2010 Shindo D14/126

* cited by examiner

Primary Examiner — Raphael Barkai

(74) *Attorney, Agent, or Firm* — Alan Kamrath; Kamrath & Associates PA

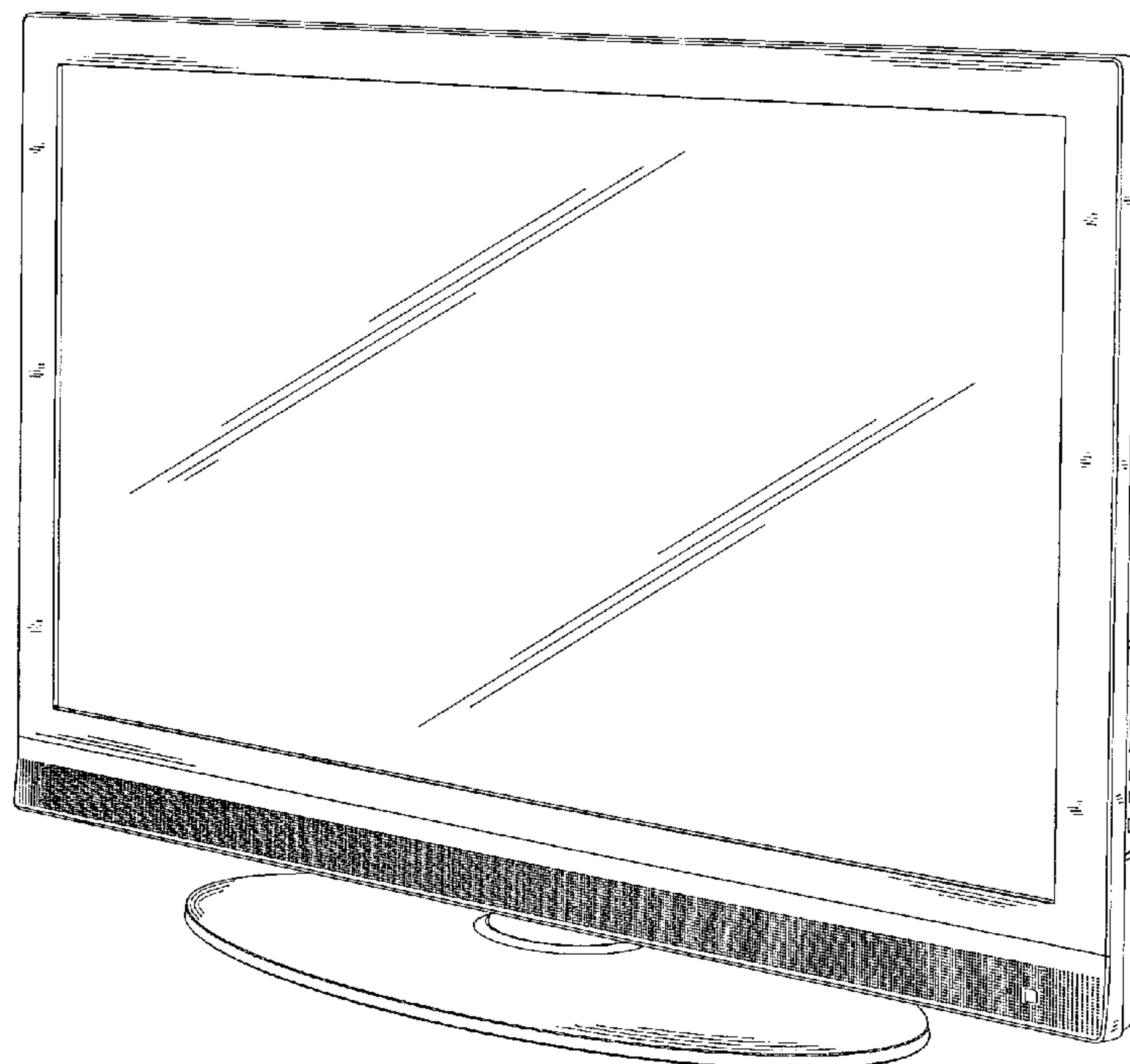
(57) **CLAIM**

The ornamental design for LCD TV, as shown and described.

DESCRIPTION

FIG. 1 is a perspective view of a LCD TV showing my new design;
FIG. 2 is a front side elevational view thereof;
FIG. 3 is a rear side elevational view thereof;
FIG. 4 is a left elevational view thereof;
FIG. 5 is a right elevational view thereof;
FIG. 6 is a top plan view thereof;
FIG. 7 is a bottom plan view thereof; and,
FIG. 8 is an enlargement of part X shown in FIG. 5.

1 Claim, 8 Drawing Sheets



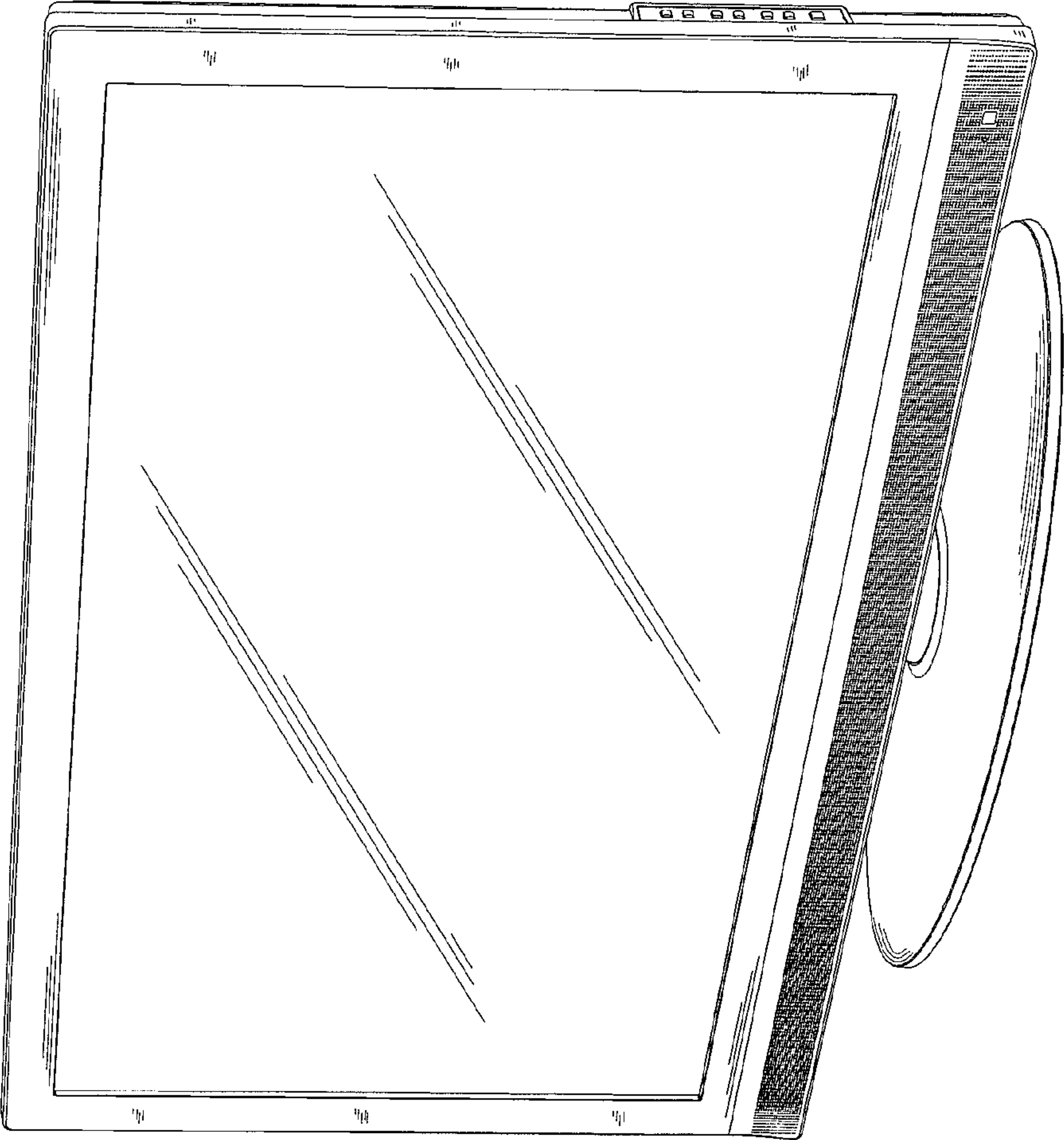


Fig. 1

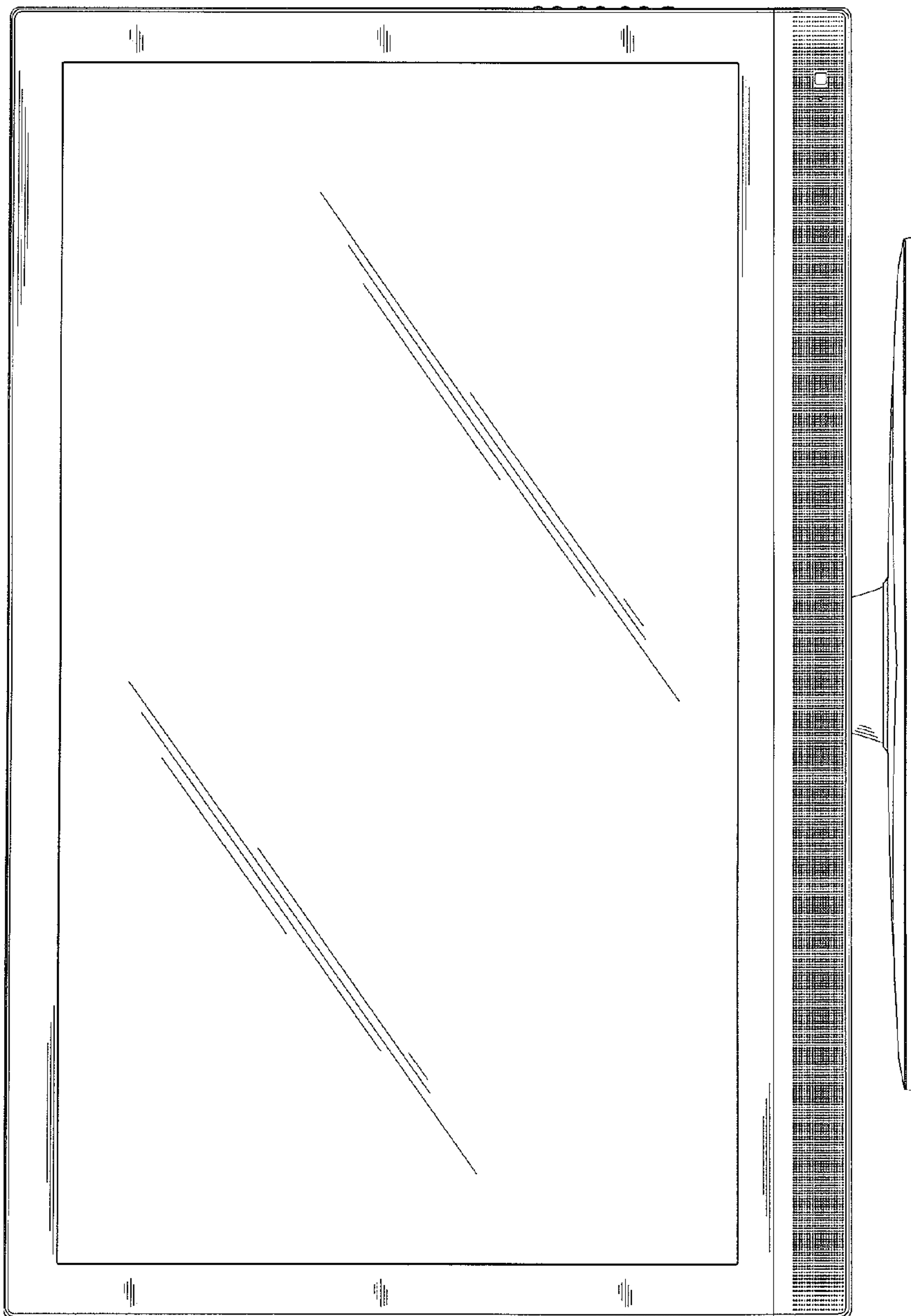


Fig. 2

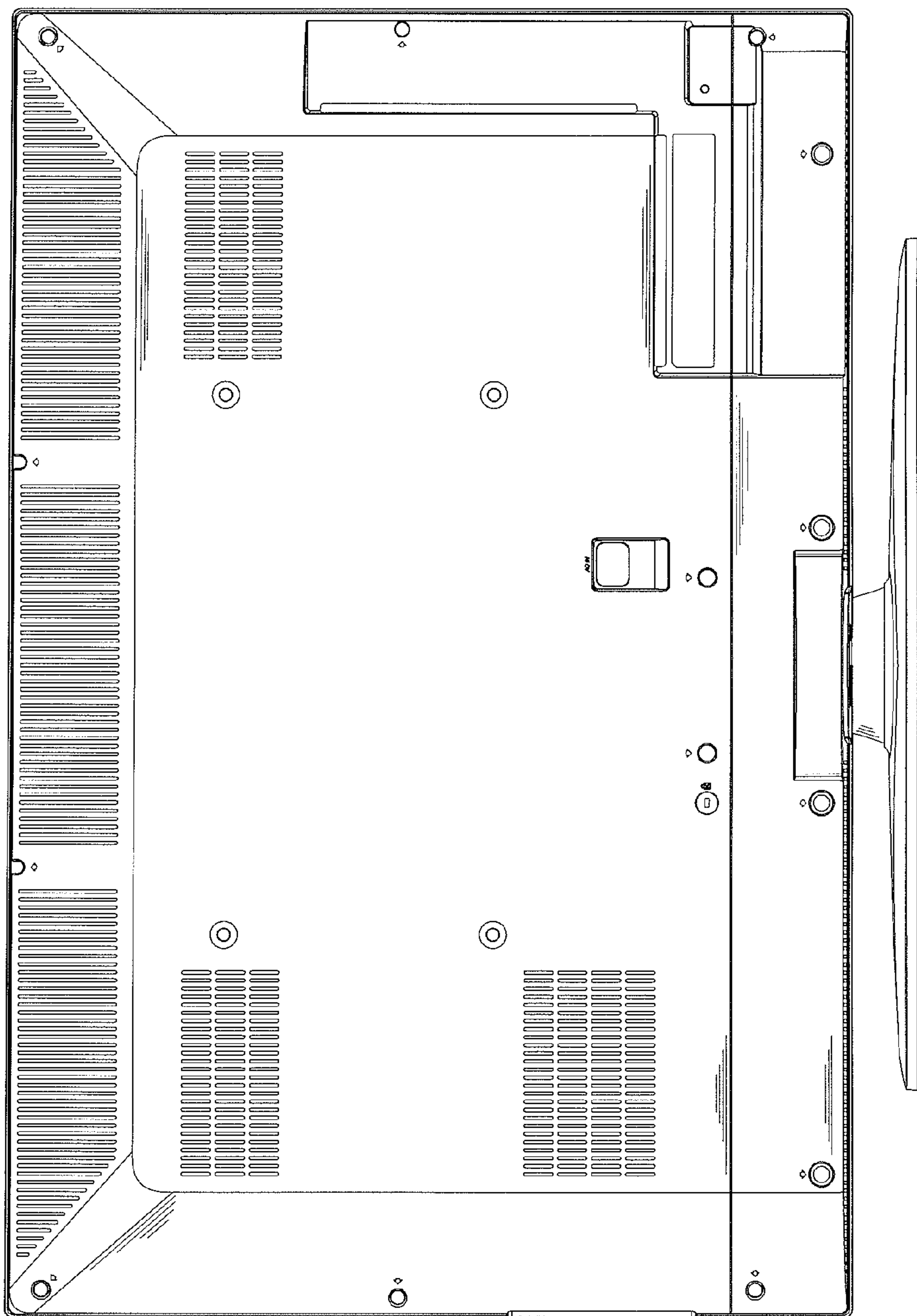


Fig. 3

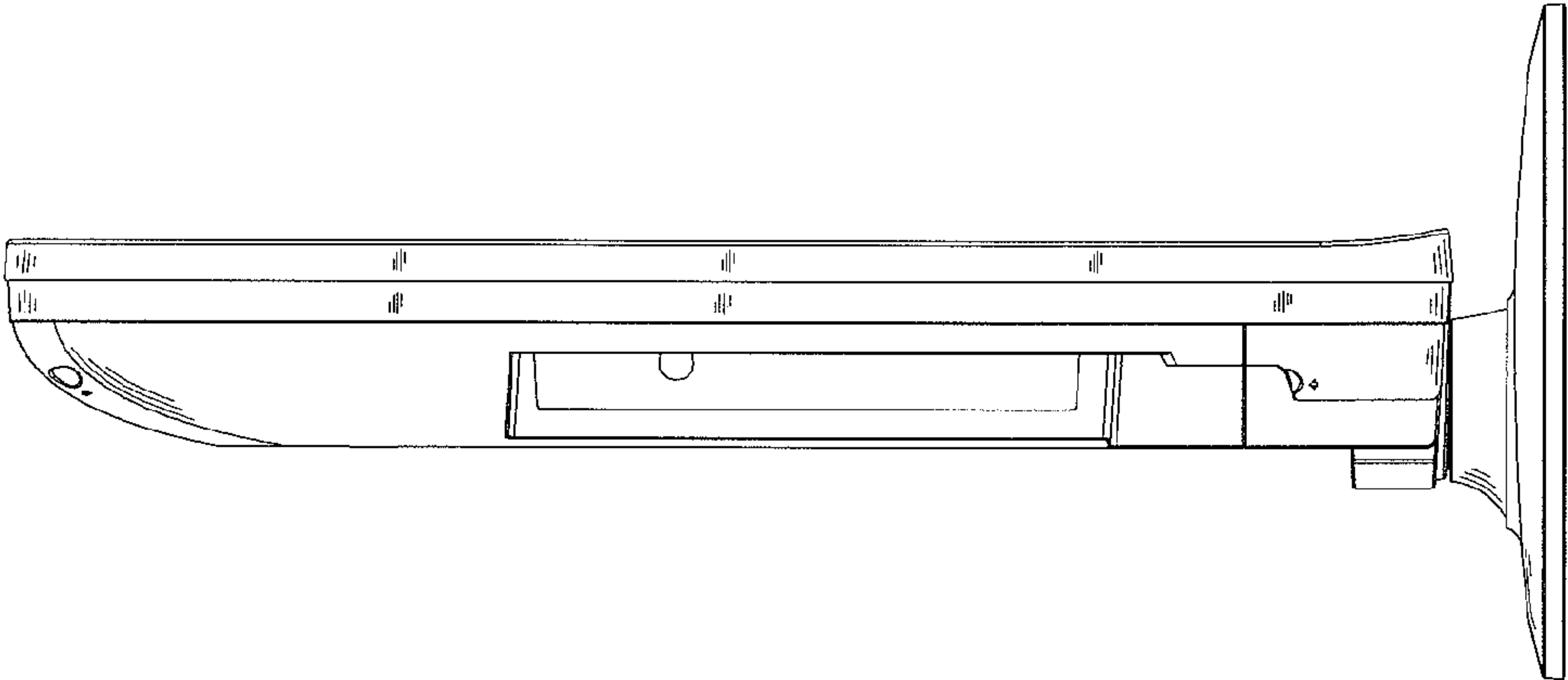


Fig. 4

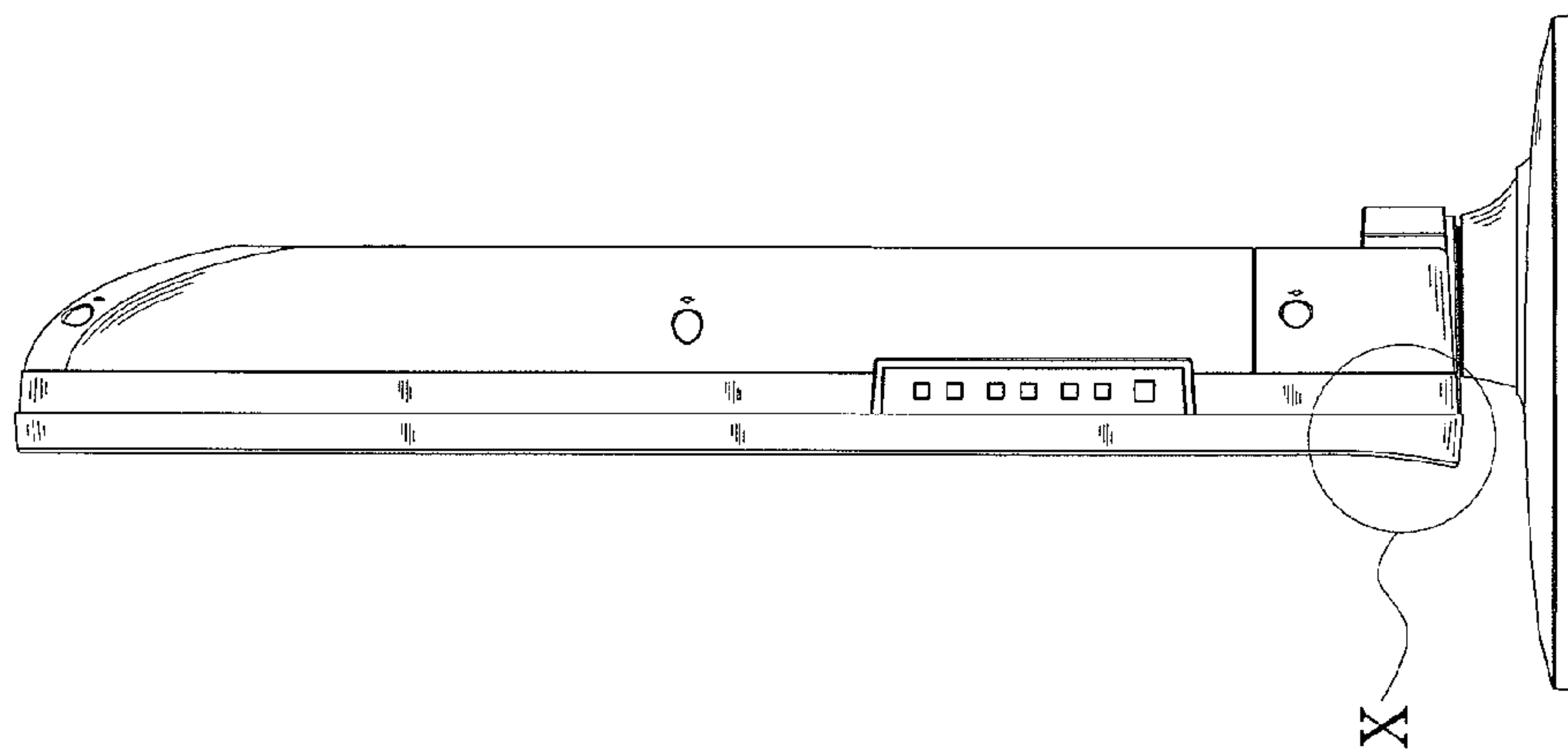


Fig. 5

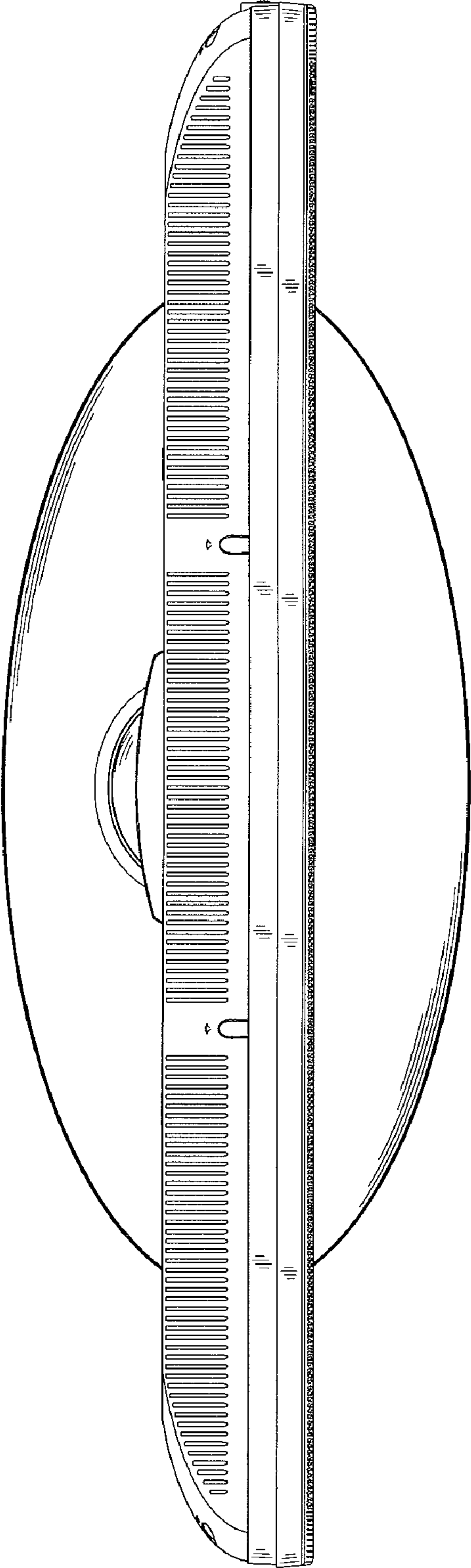


Fig. 6

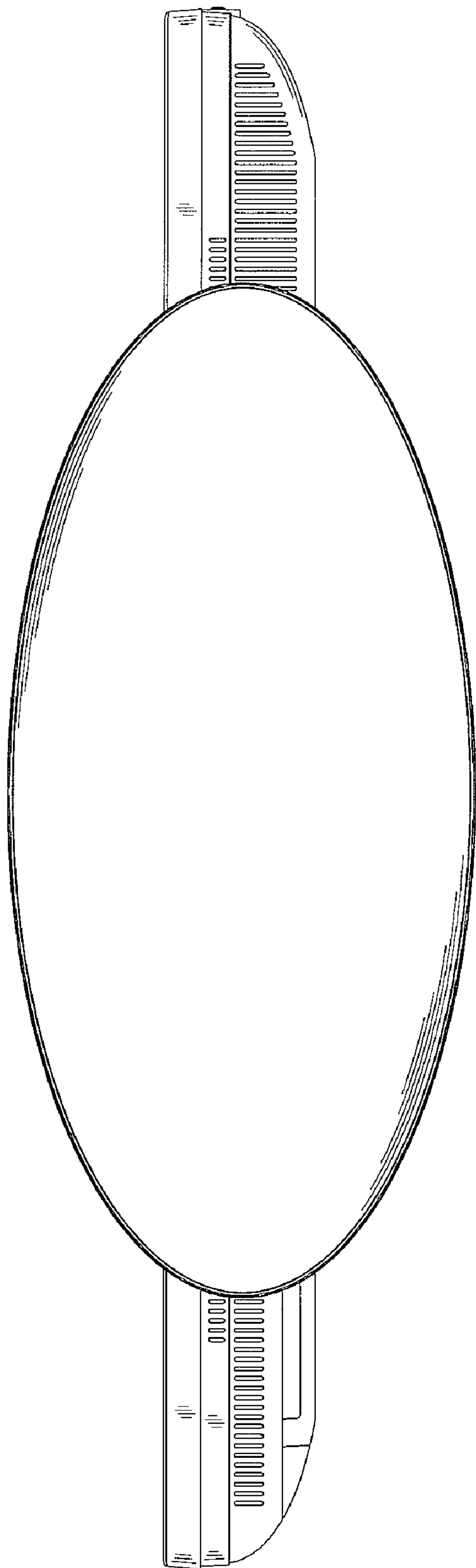


Fig. 7

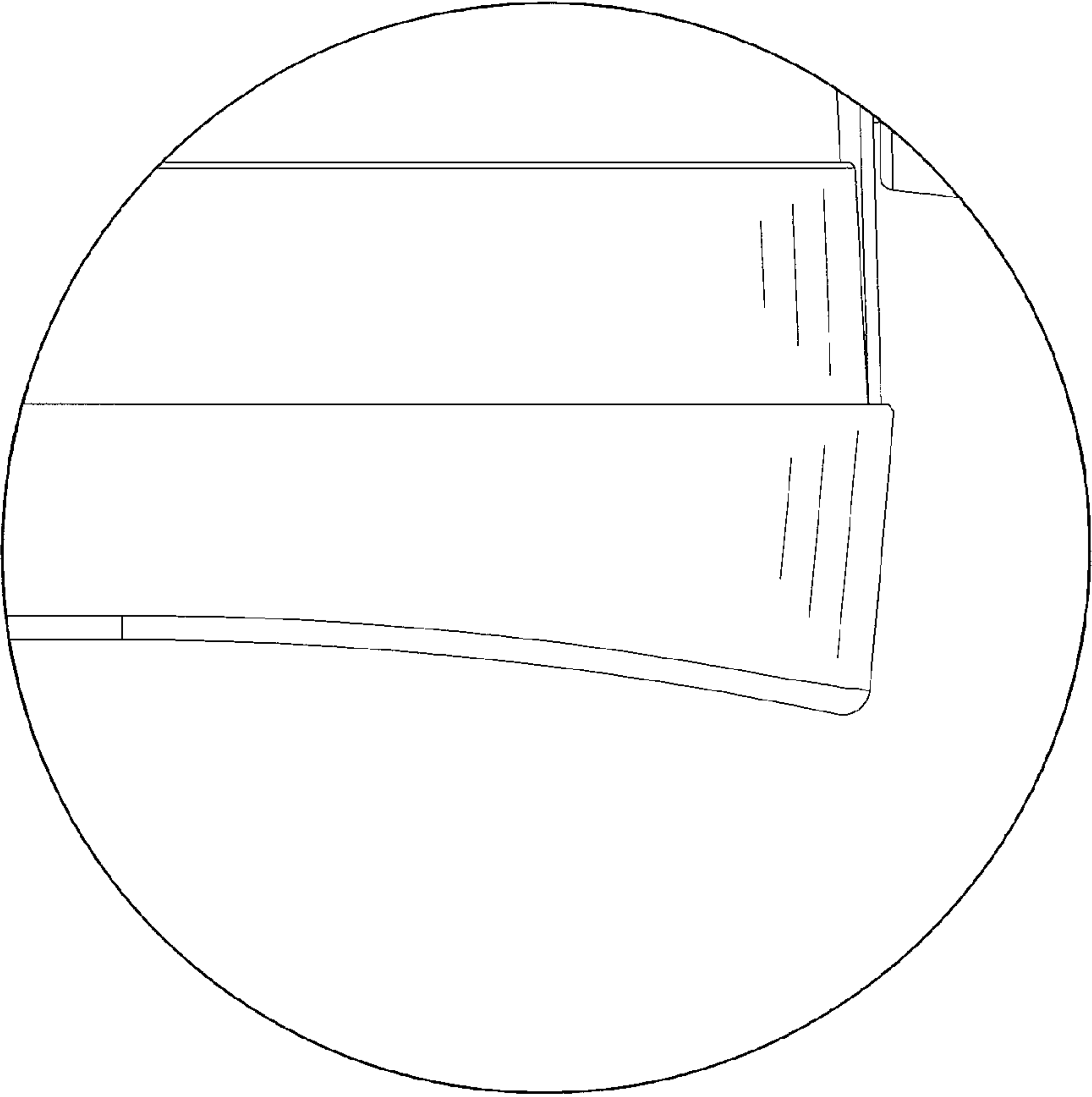


Fig. 8