



US00D635103S

(12) **United States Design Patent**
Kato et al.

(10) **Patent No.:** **US D635,103 S**
(45) **Date of Patent:** **** Mar. 29, 2011**

(54) **SWITCH**

(75) Inventors: **Yuichi Kato**, Tokyo (JP); **Kozue Ikeuchi**, Tokyo (JP)

(73) Assignee: **SMK Corporation**, Tokyo (JP)

(**) Term: **14 Years**

(21) Appl. No.: **29/354,696**

(22) Filed: **Jan. 27, 2010**

(30) **Foreign Application Priority Data**

Jul. 27, 2009 (JP) 2009-017033

(51) **LOC (9) Cl.** **13-03**

(52) **U.S. Cl.** **D13/173**

(58) **Field of Classification Search** D13/158-177;
174/66; 200/5 R, 5 A, 1 B, 293, 296, 329,
200/406, 513, 520, 530, 302.1, 302.2, 314,
200/315, 341, 344; 315/291-296; 338/198-200
See application file for complete search history.

(56) **References Cited**

U.S. PATENT DOCUMENTS

6,180,903	B1 *	1/2001	Chen	200/406
6,501,036	B2 *	12/2002	Rochon et al.	200/302.2
6,815,628	B2 *	11/2004	Okita et al.	200/406
6,946,610	B2 *	9/2005	Takeuchi et al.	200/406
D534,500	S *	1/2007	Yamada	D13/158
7,157,650	B2 *	1/2007	Rochon	200/1 B
7,164,091	B2 *	1/2007	Lu	200/292
D561,705	S *	2/2008	Tsudoku	D13/171

7,485,824	B2 *	2/2009	Rastemborski et al.	200/516
7,525,059	B2 *	4/2009	Masuda et al.	200/406
D596,589	S *	7/2009	Yoshida et al.	D13/174
2004/0079627	A1 *	4/2004	Huang et al.	200/406
2008/0073193	A1 *	3/2008	Hu et al.	200/406
2009/0065334	A1 *	3/2009	Yasufuku et al.	200/293
2009/0200147	A1 *	8/2009	Watanabe	200/406

* cited by examiner

Primary Examiner — Selina Sikder

(74) *Attorney, Agent, or Firm* — Edwards Angell Palmer & Dodge LLP; Peter C. Schechter; Catherine J. Toppin

(57) **CLAIM**

The ornamental design for a switch, as shown and described.

DESCRIPTION

FIG. 1 is a front view of the switch of the present invention, showing our new design;
FIG. 2 is a back view thereof;
FIG. 3 is a top view thereof;
FIG. 4 is a right side view thereof;
FIG. 5 is a left side view thereof;
FIG. 6 is a bottom view thereof;
FIG. 7 is a first view thereof, as seen from the front, bottom and right side;
FIG. 8 is a second view thereof, as seen from the top, back and left side; and,
FIG. 9 is a cross-sectional view thereof taken along the line 9—9 in FIG. 1.

The broken lines showing portions of the switch is for illustrative purposes only and forms no part of the claimed design.

1 Claim, 5 Drawing Sheets

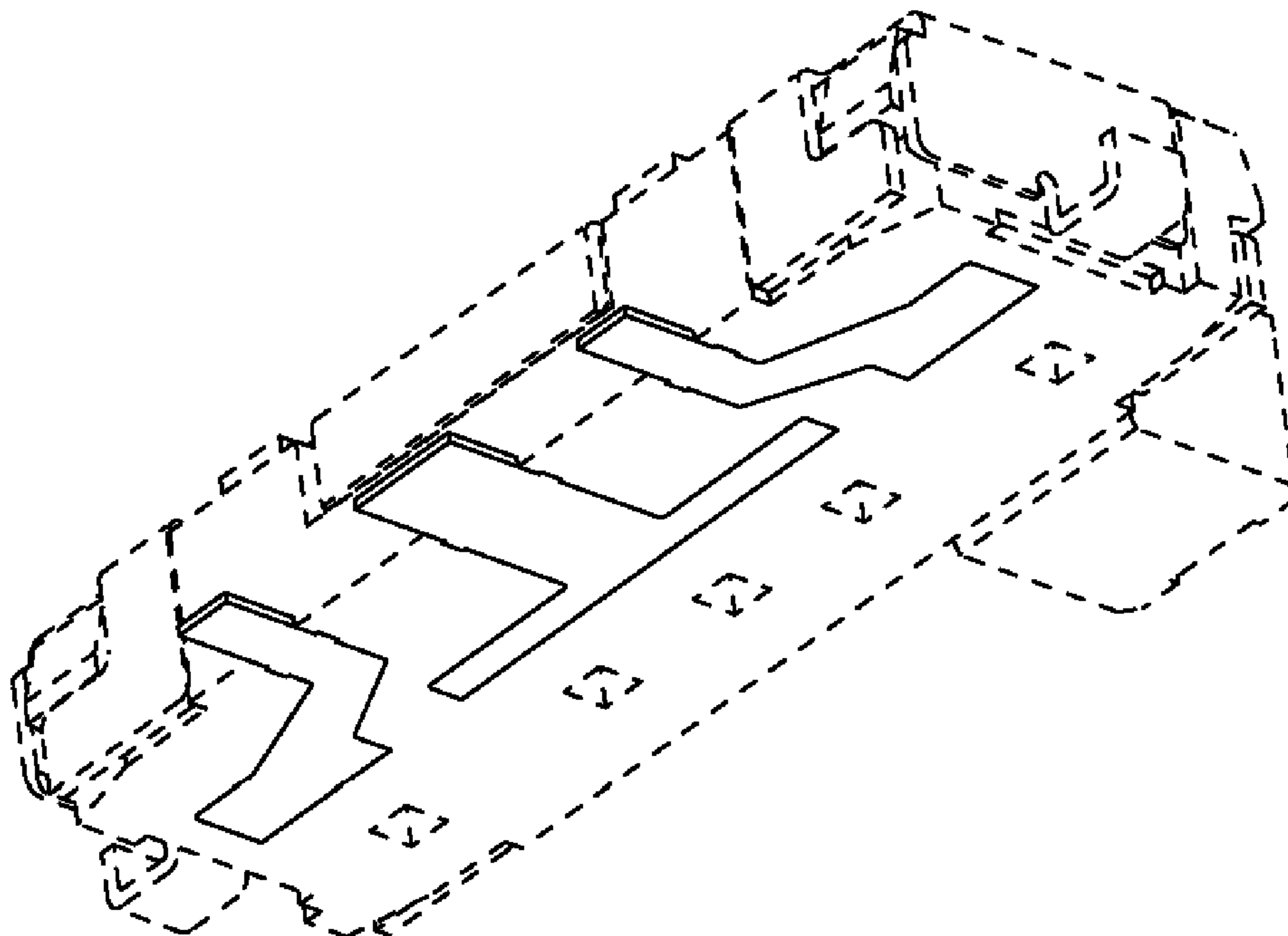


FIG. 1

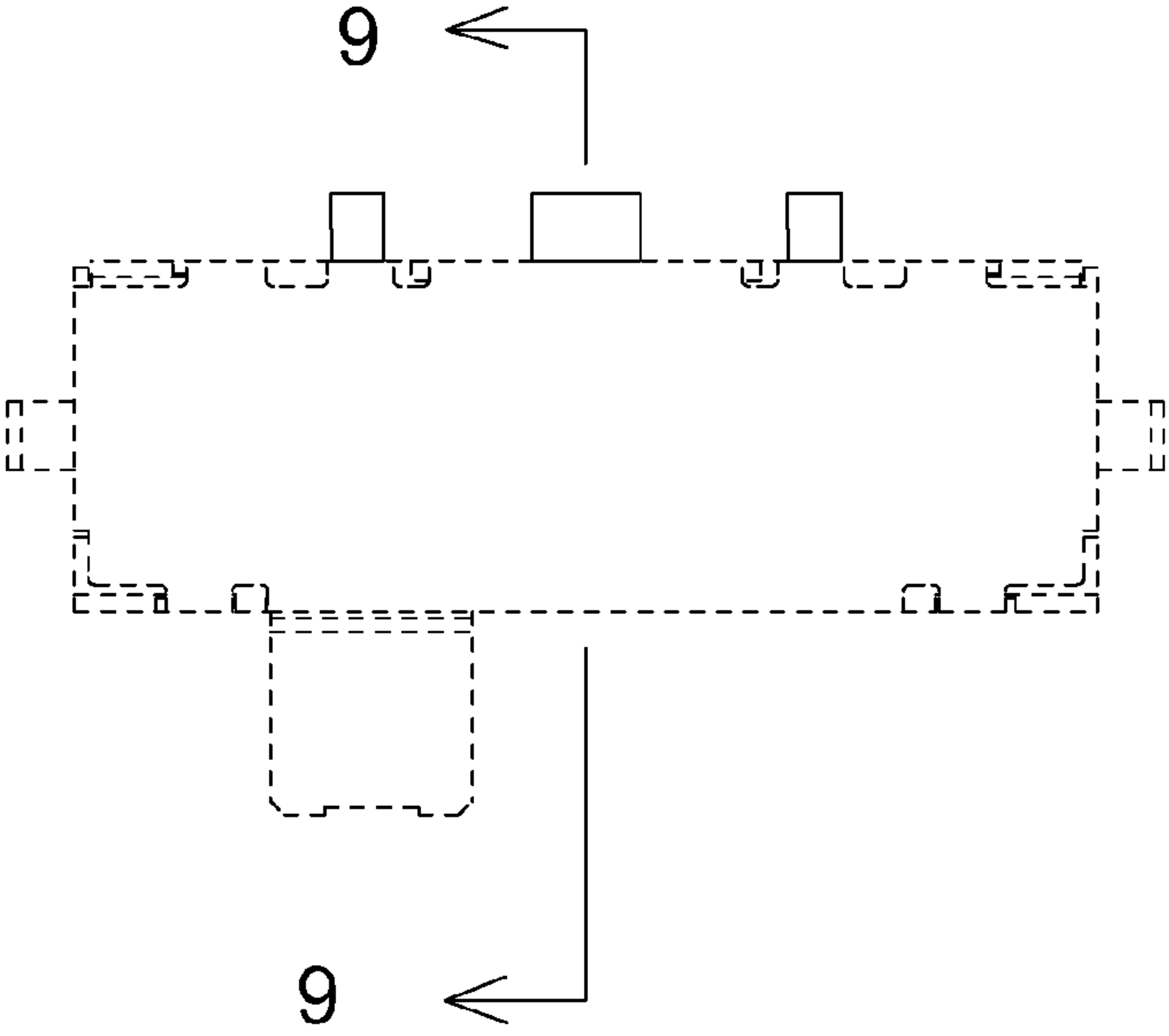


FIG. 2

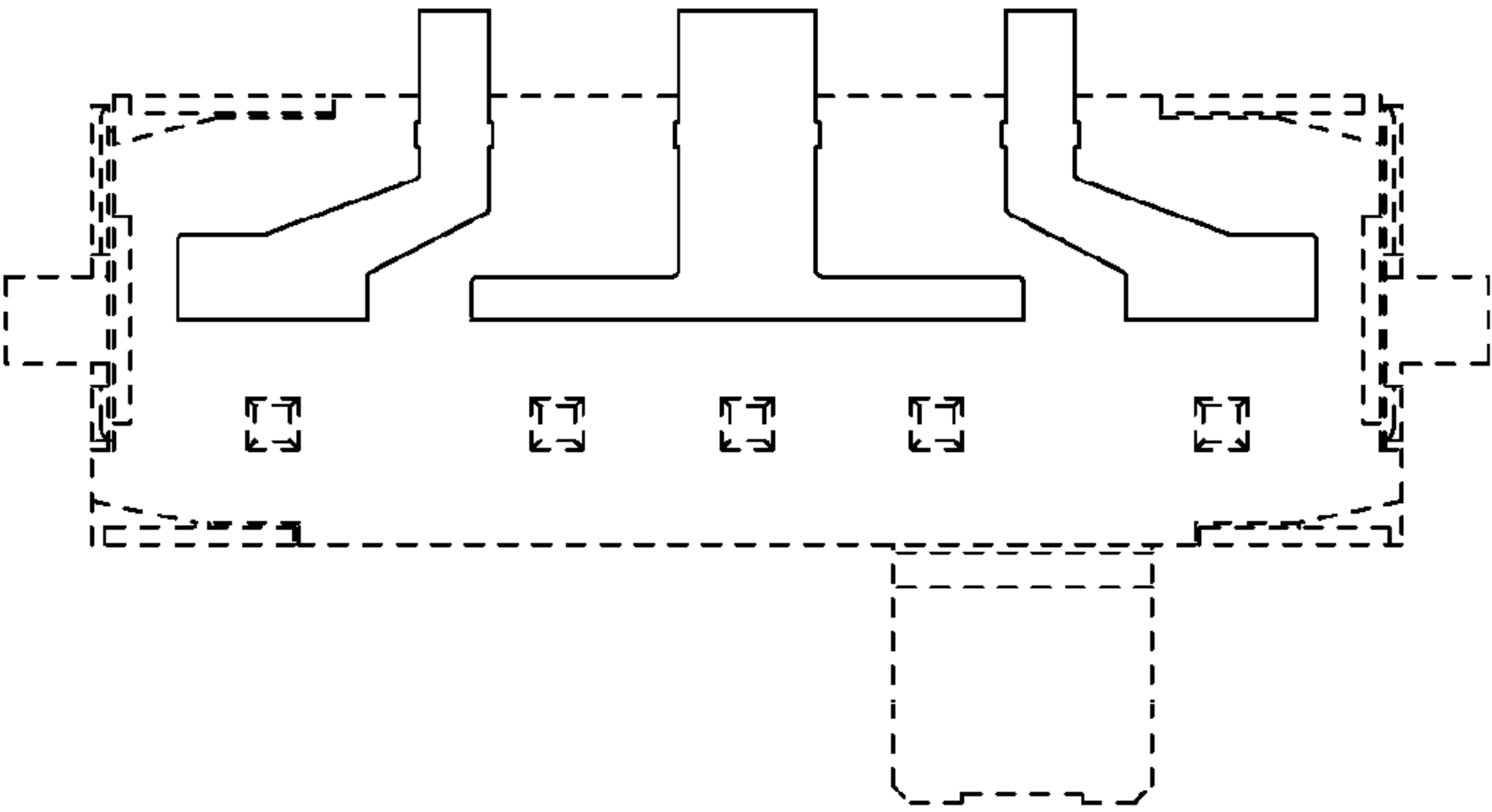


FIG. 3

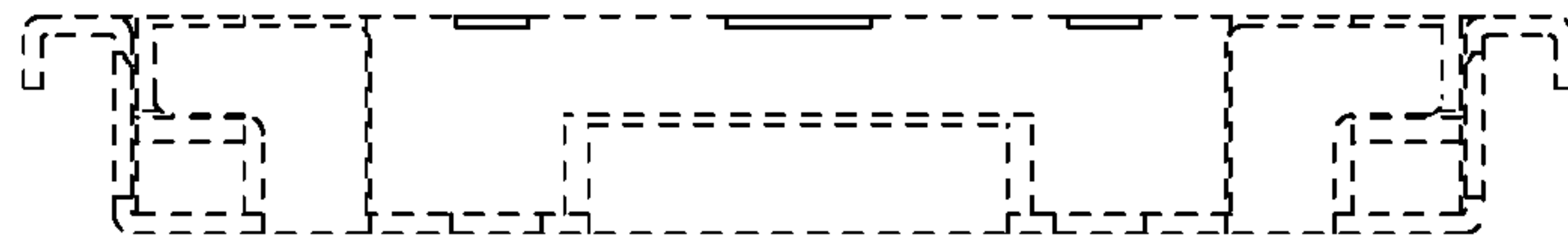


FIG. 4



FIG. 5



FIG. 6

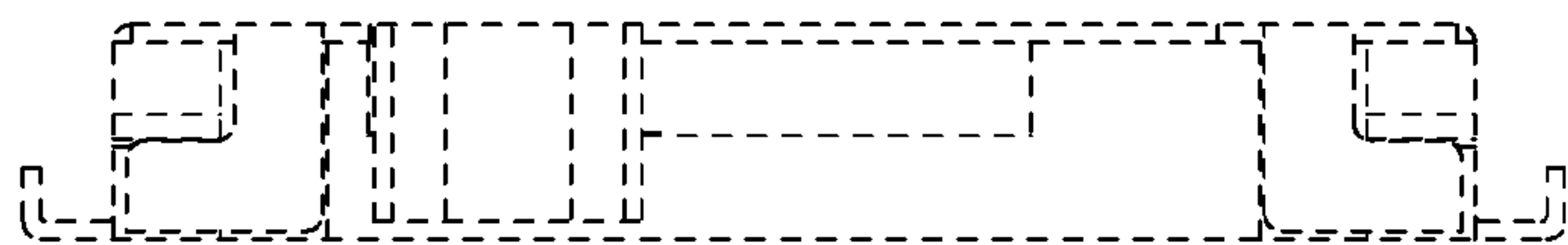


FIG. 7

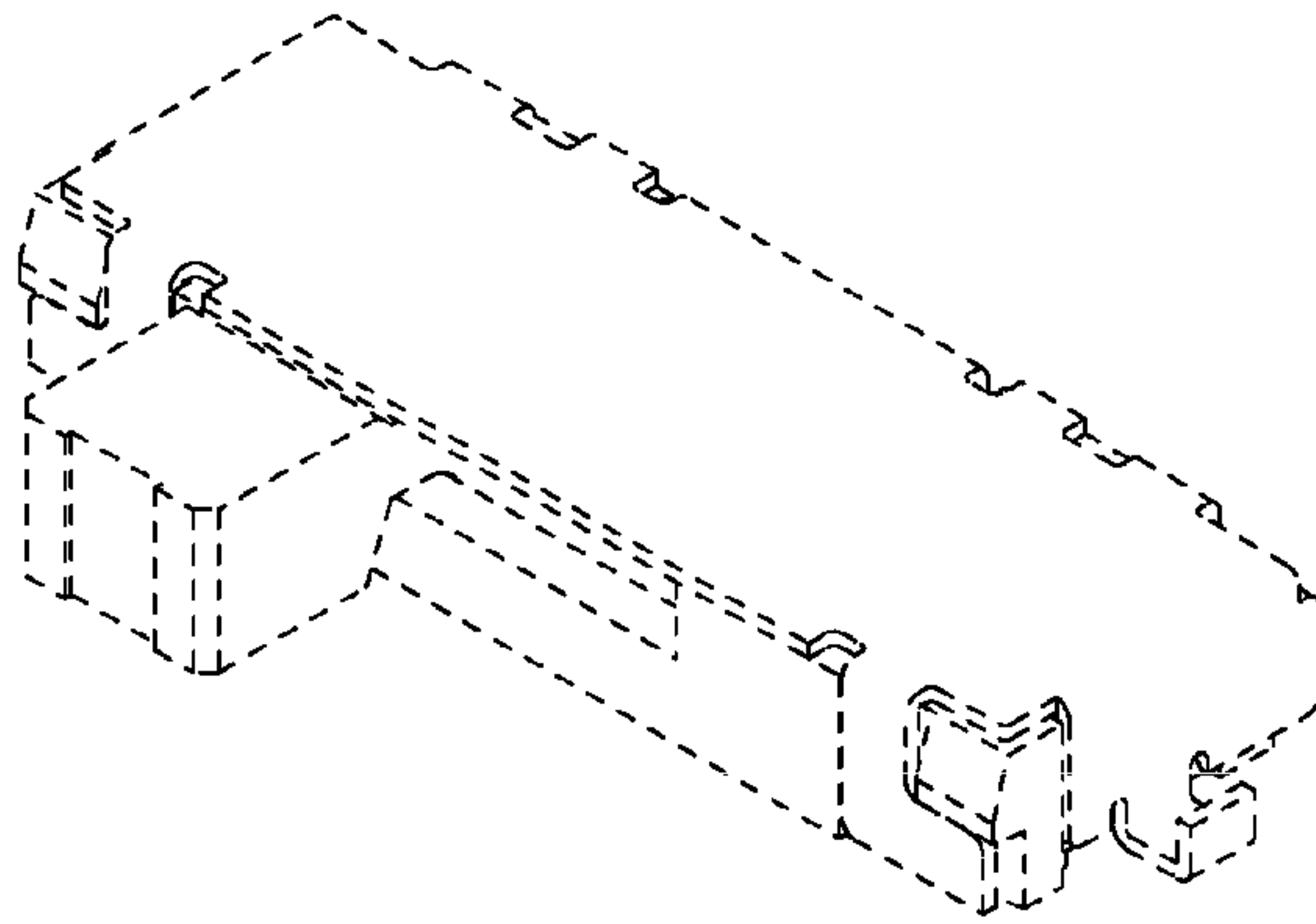


FIG. 8

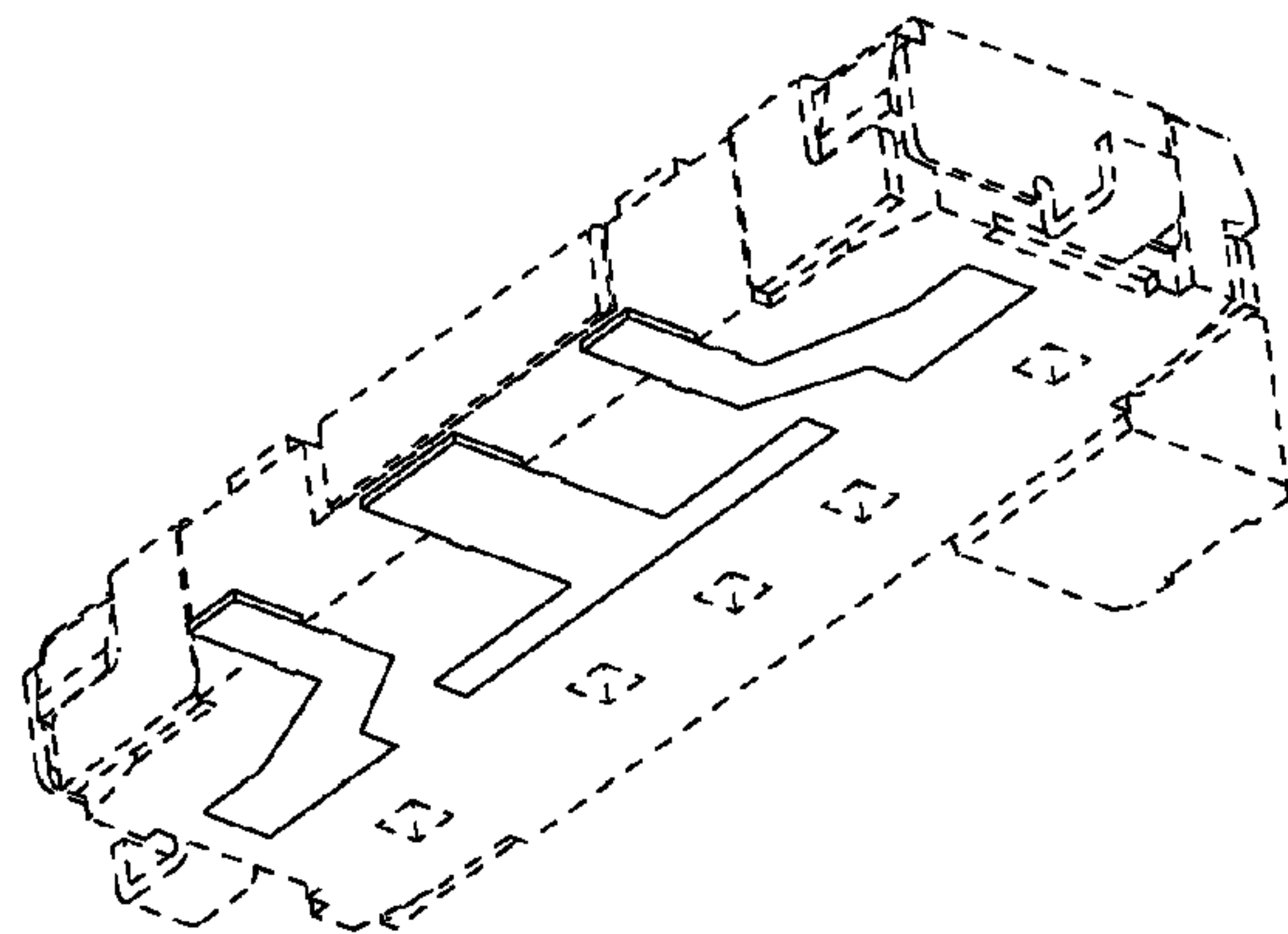


FIG. 9

