



US00D635099S

(12) **United States Design Patent**
Kramer

(10) **Patent No.:** **US D635,099 S**
(45) **Date of Patent:** **** Mar. 29, 2011**

(54) **RECESSED WALL OUTLET COVER ASSEMBLY**

(76) Inventor: **David Kramer**, Vancouver, WA (US)

(**) Term: **14 Years**

(21) Appl. No.: **29/368,703**

(22) Filed: **Aug. 27, 2010**

(51) **LOC (9) Cl.** **13-03**

(52) **U.S. Cl.** **D13/152; D8/353**

(58) **Field of Classification Search** D8/350-353;
D13/139.1-139.8, 146, 147, 152, 154, 156,
D13/158, 169, 171, 173, 177, 184; D14/159;
D25/60; 174/55, 58, 66, 67, 535; 220/241,
220/3.92, 3.5-3.9, 242, 3.2, 3.3, 244, 315;
439/535, 536, 892, 367, 373, 537, 541, 938;
200/303; 248/273; 292/357

See application file for complete search history.

D534,787	S *	1/2007	Fields	D8/353
7,214,878	B2 *	5/2007	Dinh	174/66
D544,783	S *	6/2007	Dinh	D8/353
D559,788	S *	1/2008	Dinh	D13/152
D559,789	S *	1/2008	Dinh	D13/152
D568,719	S *	5/2008	Gorin et al.	D8/353
7,432,444	B1 *	10/2008	McCusker	174/66
7,476,803	B2 *	1/2009	Dinh	174/50
D585,726	S *	2/2009	DeCosta	D8/353
D597,960	S *	8/2009	Dinh et al.	D13/152
7,619,162	B2 *	11/2009	Dinh et al.	174/58
D618,082	S *	6/2010	Lambrou et al.	D8/343
2004/0238197	A1 *	12/2004	Gates, II	174/53
2008/0017413	A1 *	1/2008	Dinh et al.	174/481

* cited by examiner

Primary Examiner — Mark A Goodwin

(74) *Attorney, Agent, or Firm* — Montgomery Patent and Design; Robert C. Montgomery; Joseph T. Yaksich

(57) **CLAIM**

The ornamental design for a recessed wall outlet cover assembly, as shown and described.

DESCRIPTION

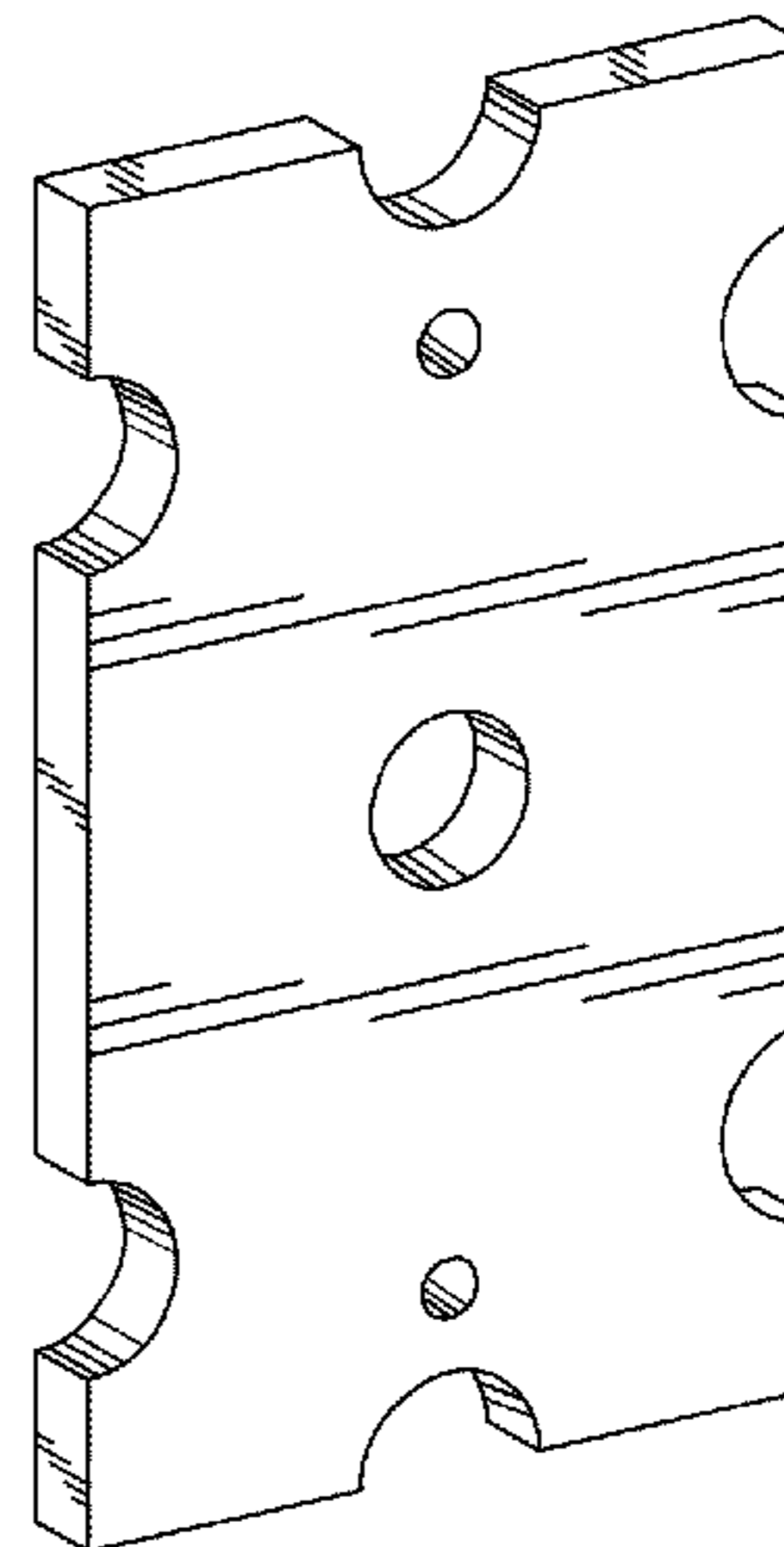
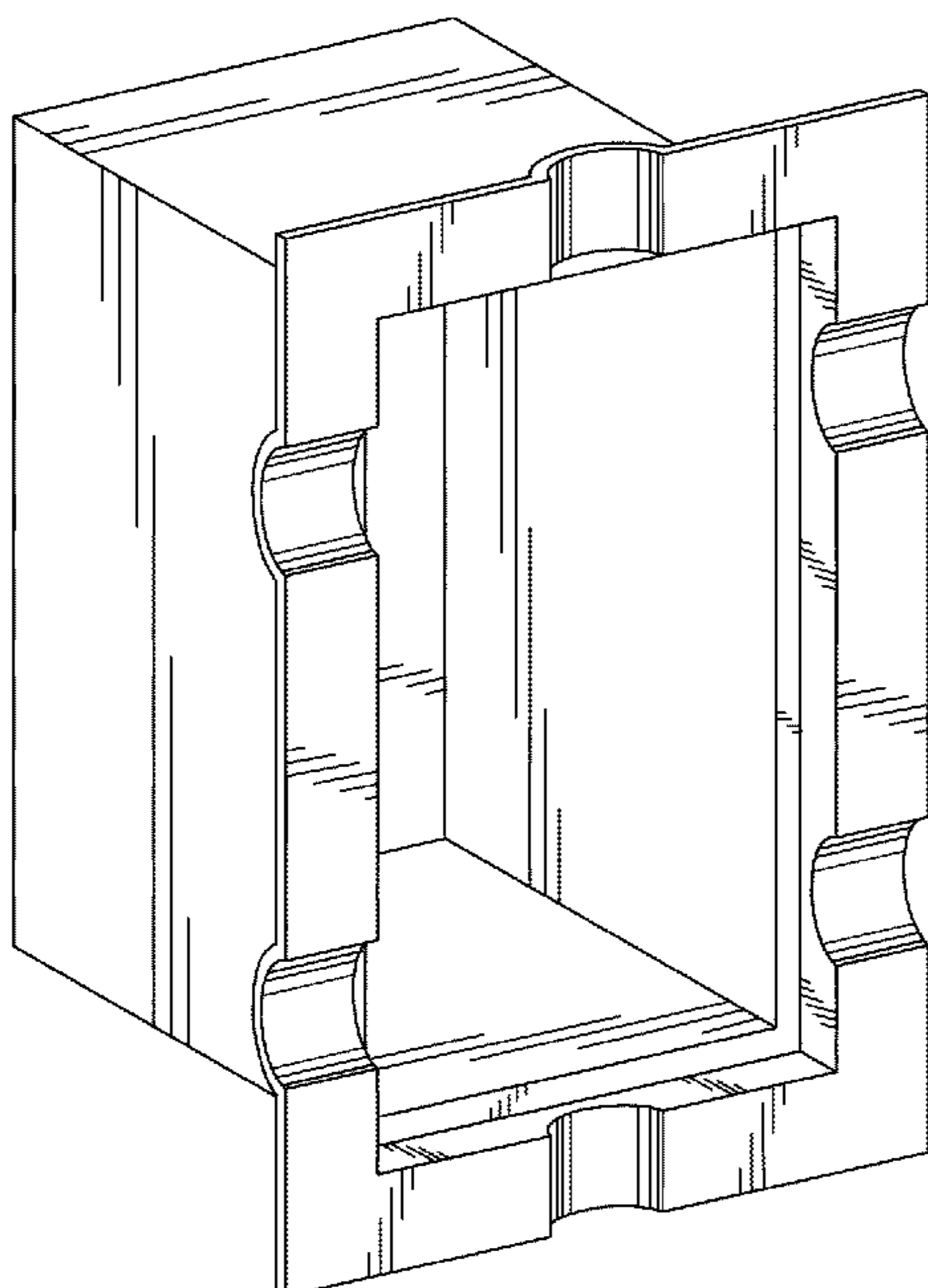
FIG. 1 is an exploded front perspective view of a recessed wall outlet cover assembly, showing my new design; FIG. 2 is an exploded rear perspective view thereof; FIG. 3 is an exploded front view thereof; FIG. 4 is an exploded rear view thereof; FIG. 5 is an exploded left side view thereof with a right side view being a mirror image; FIG. 6 is an exploded top view thereof with a bottom view being a mirror image; and, FIG. 7 is a front perspective view thereof shown in assembled condition.

1 Claim, 7 Drawing Sheets

(56) **References Cited**

U.S. PATENT DOCUMENTS

3,438,534	A *	4/1969	Zerwes	220/241
3,530,230	A *	9/1970	Cormier et al.	174/66
4,348,547	A	9/1982	Bowden, Jr.		
4,936,794	A	6/1990	Shaw et al.		
4,988,832	A	1/1991	Shotey		
5,837,937	A *	11/1998	Reese et al.	174/66
D419,966	S *	2/2000	Mowery et al.	D13/184
6,338,225	B1 *	1/2002	Hayes	52/27
6,447,139	B1 *	9/2002	Wilkes	362/100
6,737,576	B1 *	5/2004	Dinh	174/50
6,932,624	B1 *	8/2005	Hoopes et al.	439/76.1
7,005,578	B2	2/2006	Gretz		
7,078,618	B2 *	7/2006	Dinh	174/481
7,126,059	B2 *	10/2006	Dinh et al.	174/66
7,151,219	B1	12/2006	Gretz		



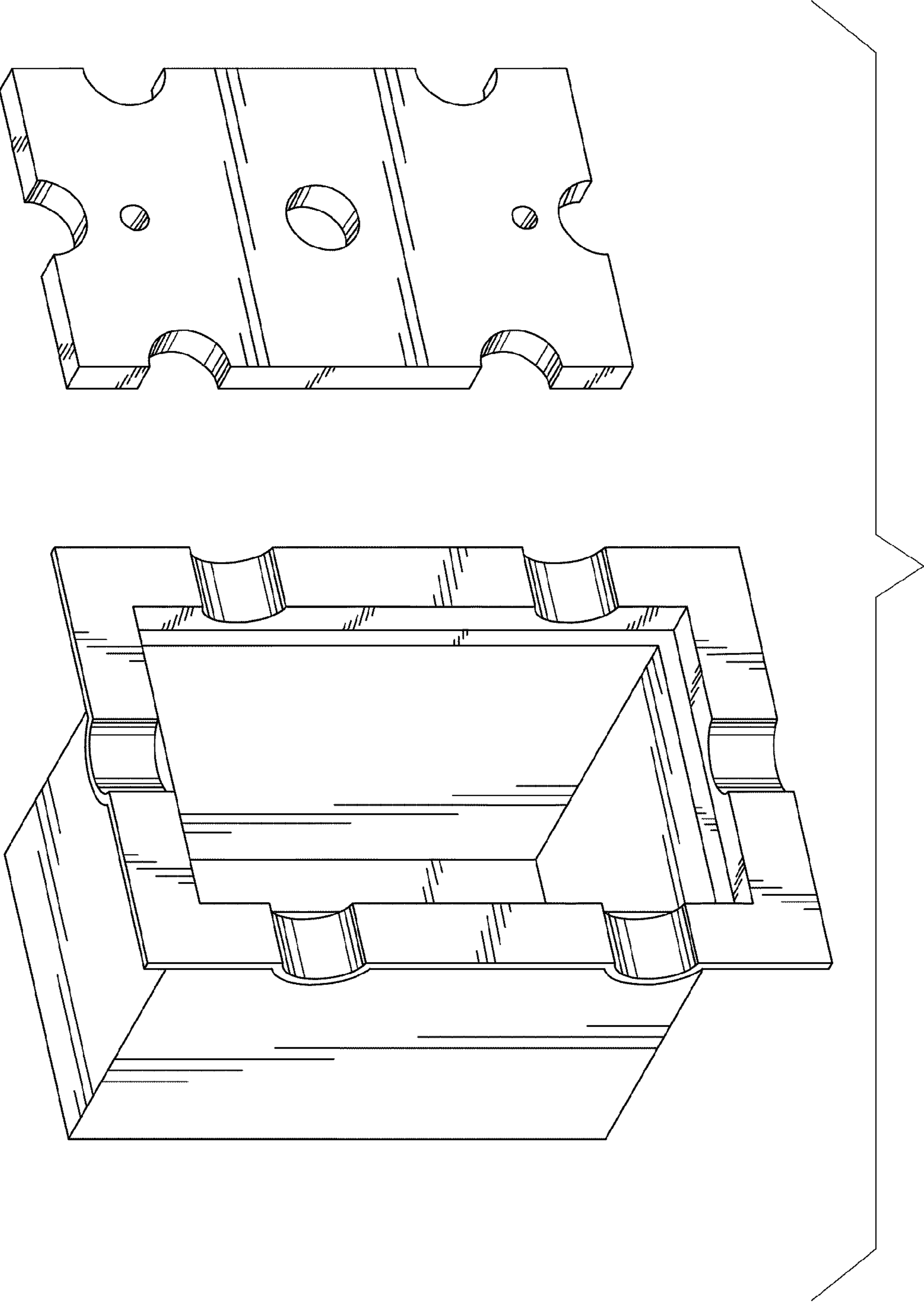


Fig. 1

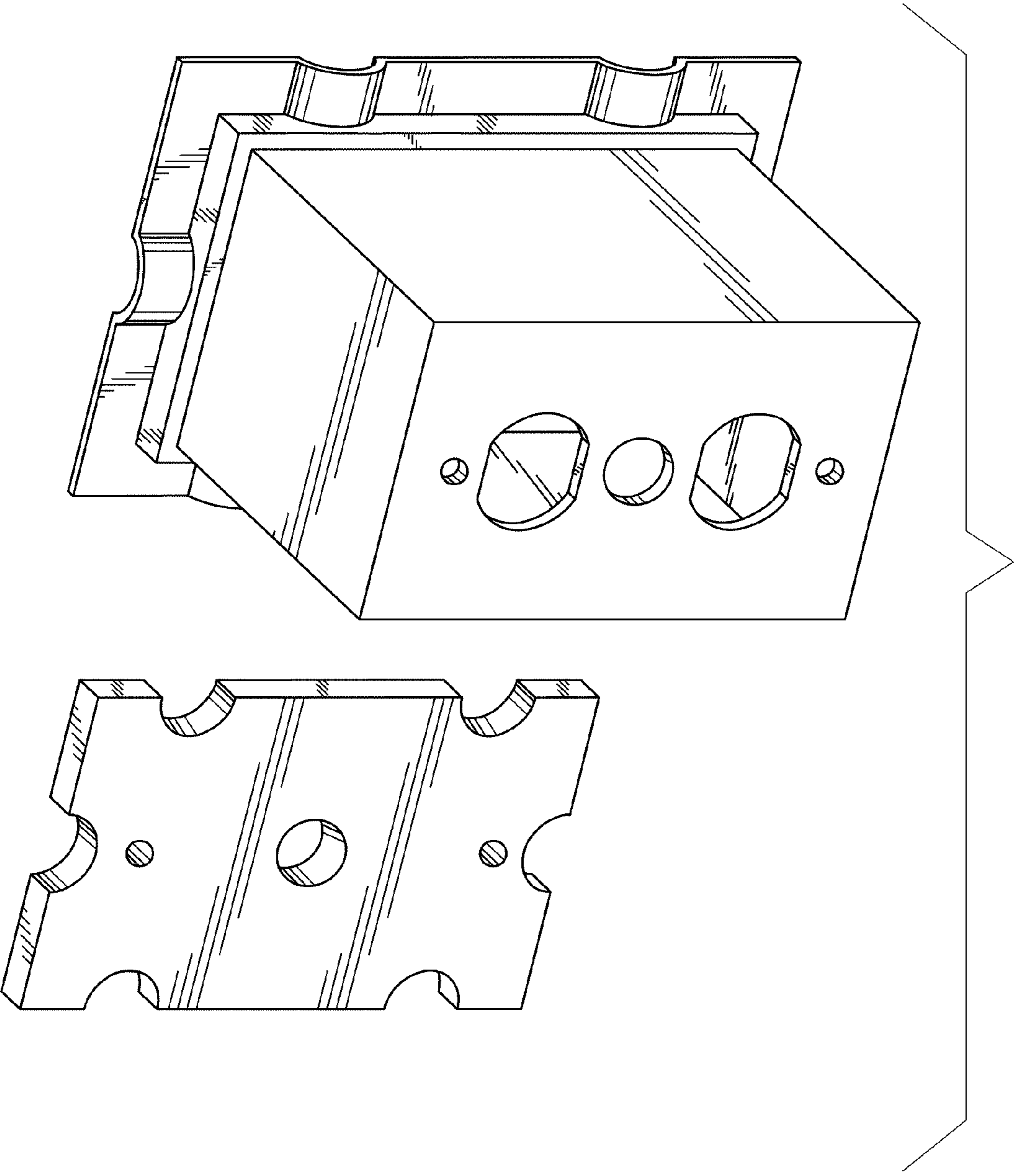


Fig. 2

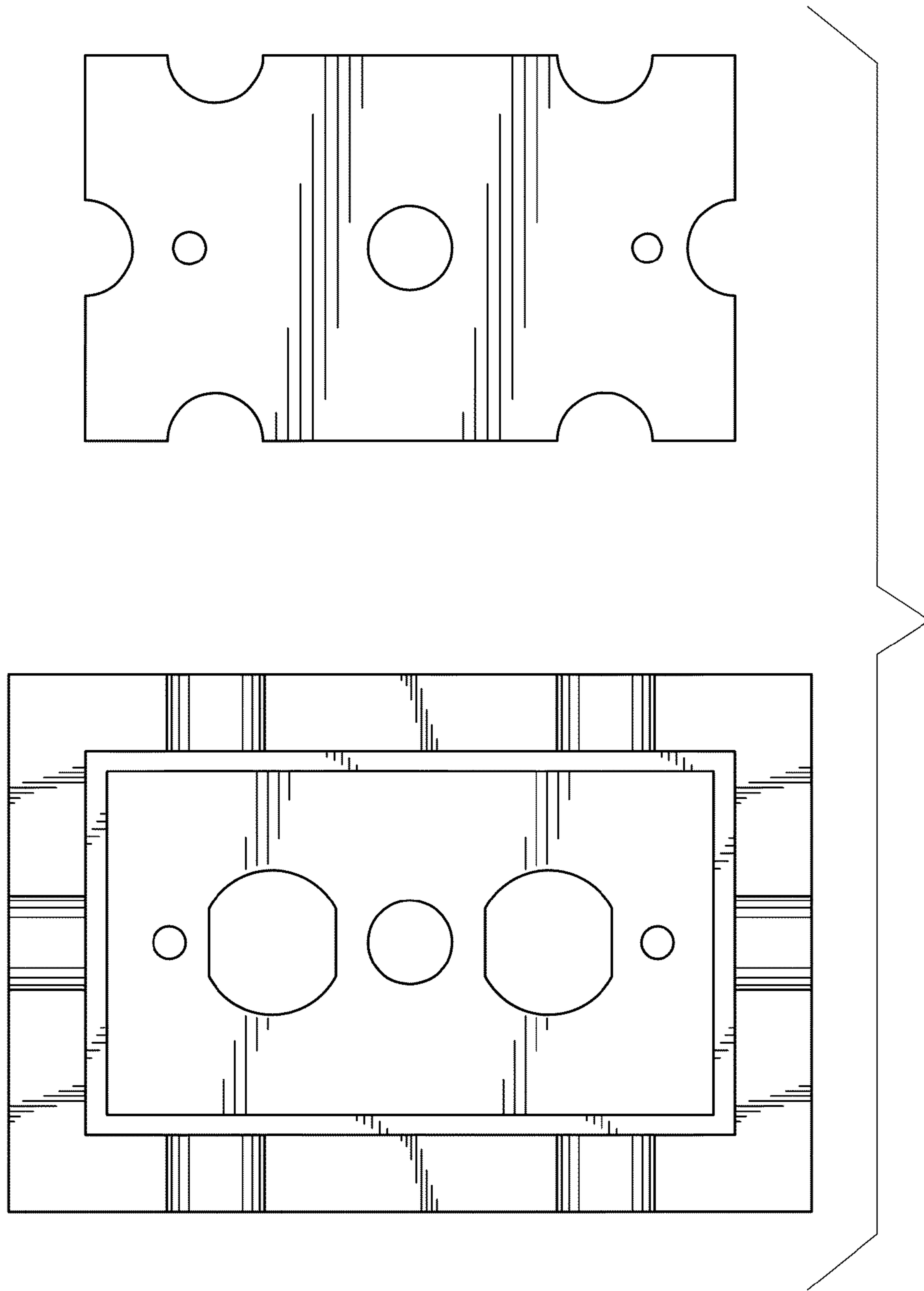


Fig. 3

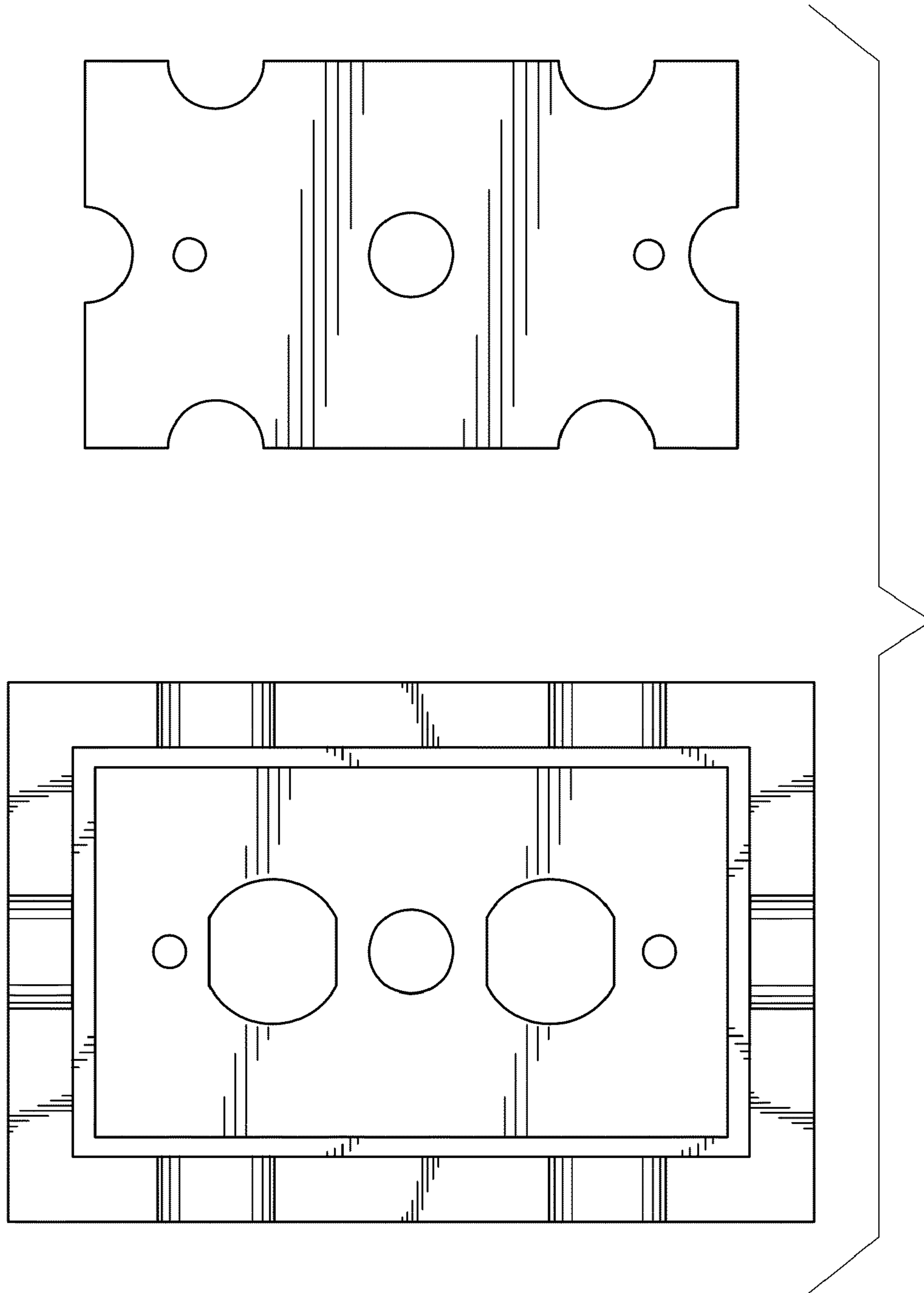


Fig. 4

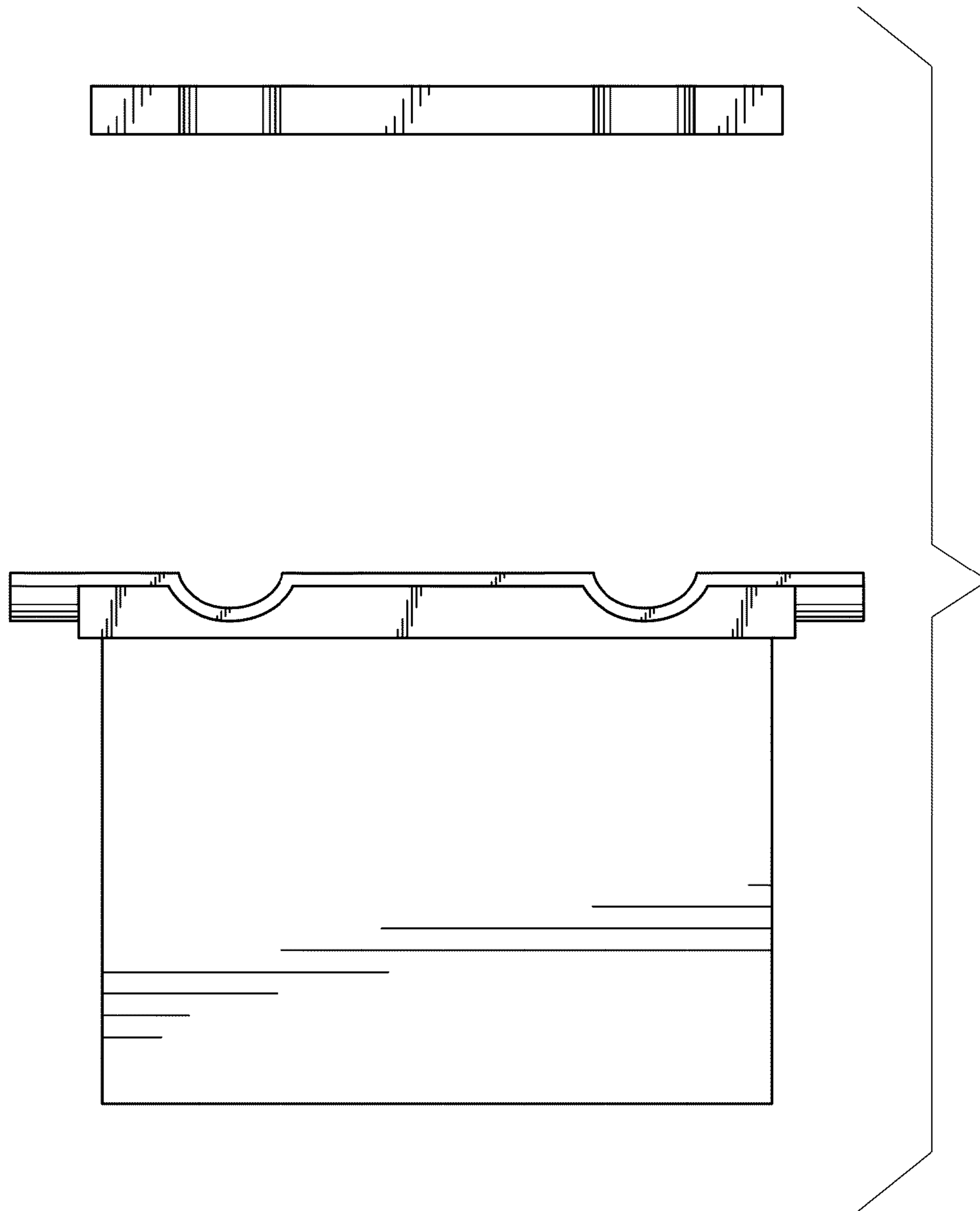


Fig. 5

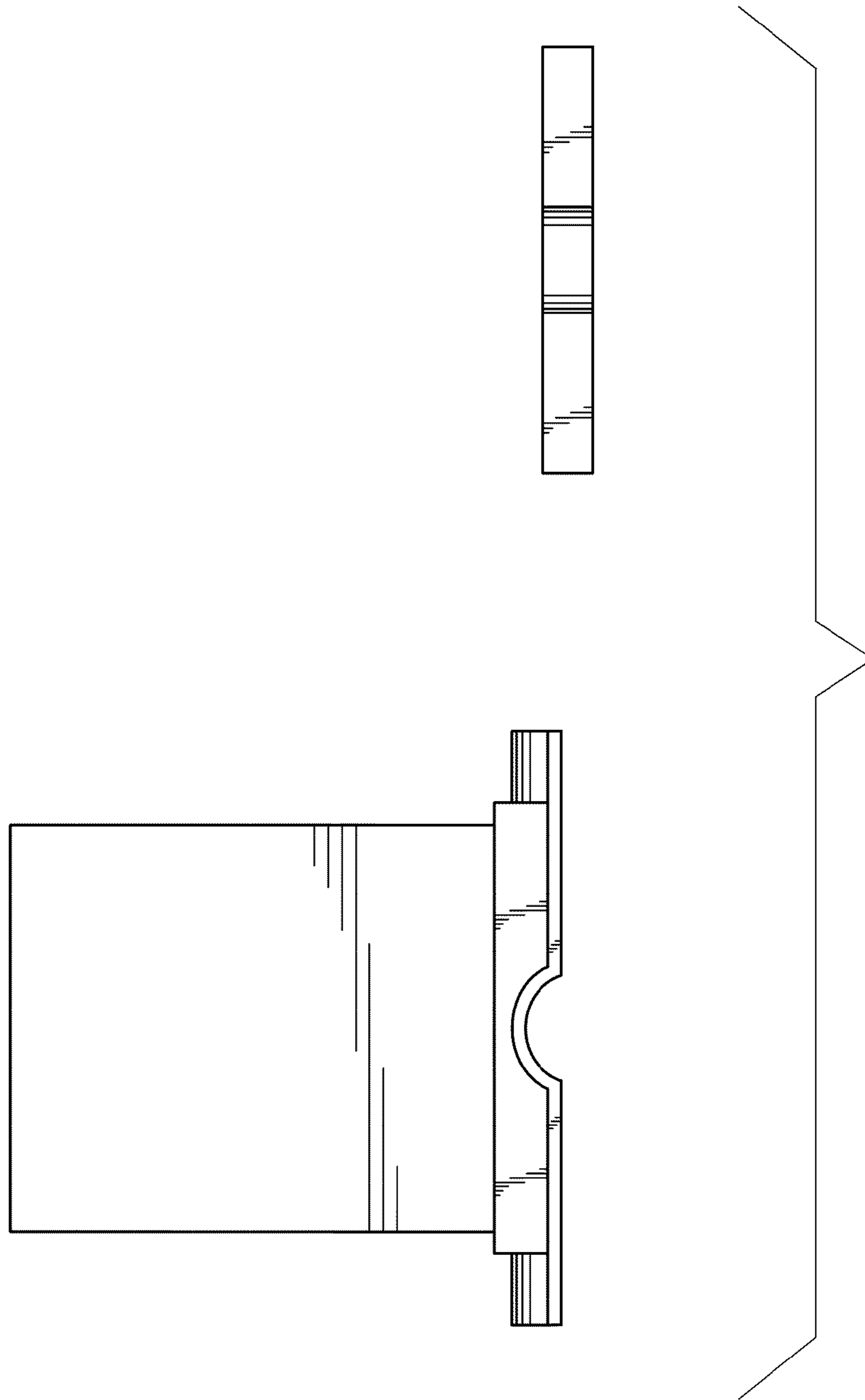


Fig. 6

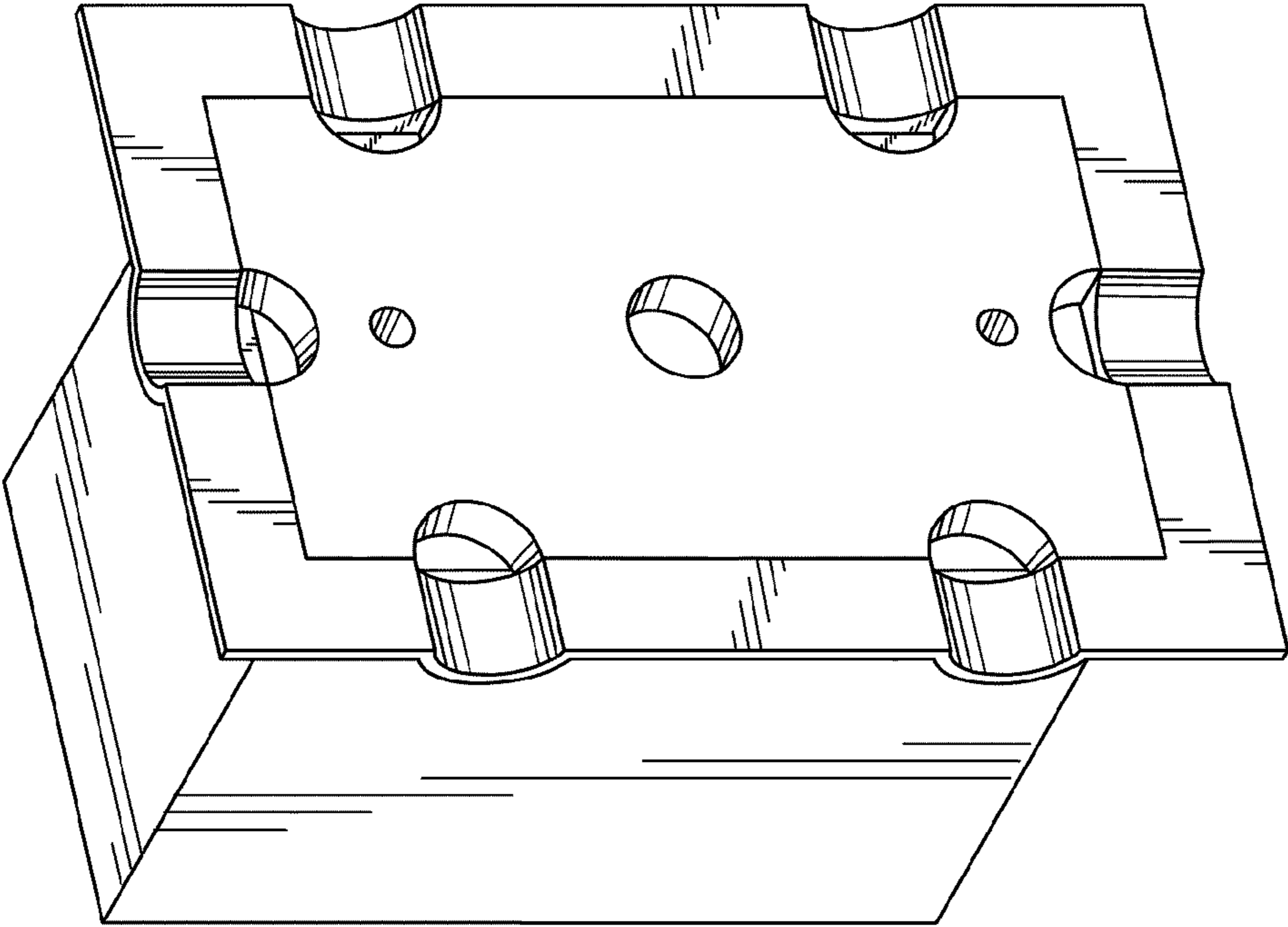


Fig. 7