



US00D635098S

(12) **United States Design Patent**  
**Ismert**

(10) **Patent No.:** **US D635,098 S**

(45) **Date of Patent:** **\*\* Mar. 29, 2011**

(54) **WALL-MOUNTABLE ACCESS PANEL ASSEMBLY**

5,653,061 A *	8/1997	Hiner .....	49/463
D436,926 S *	1/2001	Lew .....	D13/152
6,367,200 B1 *	4/2002	LaConte .....	49/465
6,618,996 B1 *	9/2003	Szykowski .....	49/465

\* cited by examiner

(75) Inventor: **Joseph P. Ismert**, Kansas City, MO (US)

(73) Assignee: **Sioux Chief Mfg. Co., Inc.**, Peculiar, MO (US)

*Primary Examiner* — Doris Clark

(74) *Attorney, Agent, or Firm* — Erickson, Kernell, Derusseau & Kleypas, LLC

(\*\*) Term: **14 Years**

(21) Appl. No.: **29/353,785**

(57) **CLAIM**

The ornamental design for a wall-mountable access panel assembly, as shown and described.

(22) Filed: **Jan. 14, 2010**

(51) **LOC (9) Cl.** ..... **13-03**

(52) **U.S. Cl.** ..... **D13/152; D25/138**

(58) **Field of Classification Search** ..... D25/138,  
D25/48; 49/463, 464; 52/506.01, 506.1;  
D13/152

See application file for complete search history.

**DESCRIPTION**

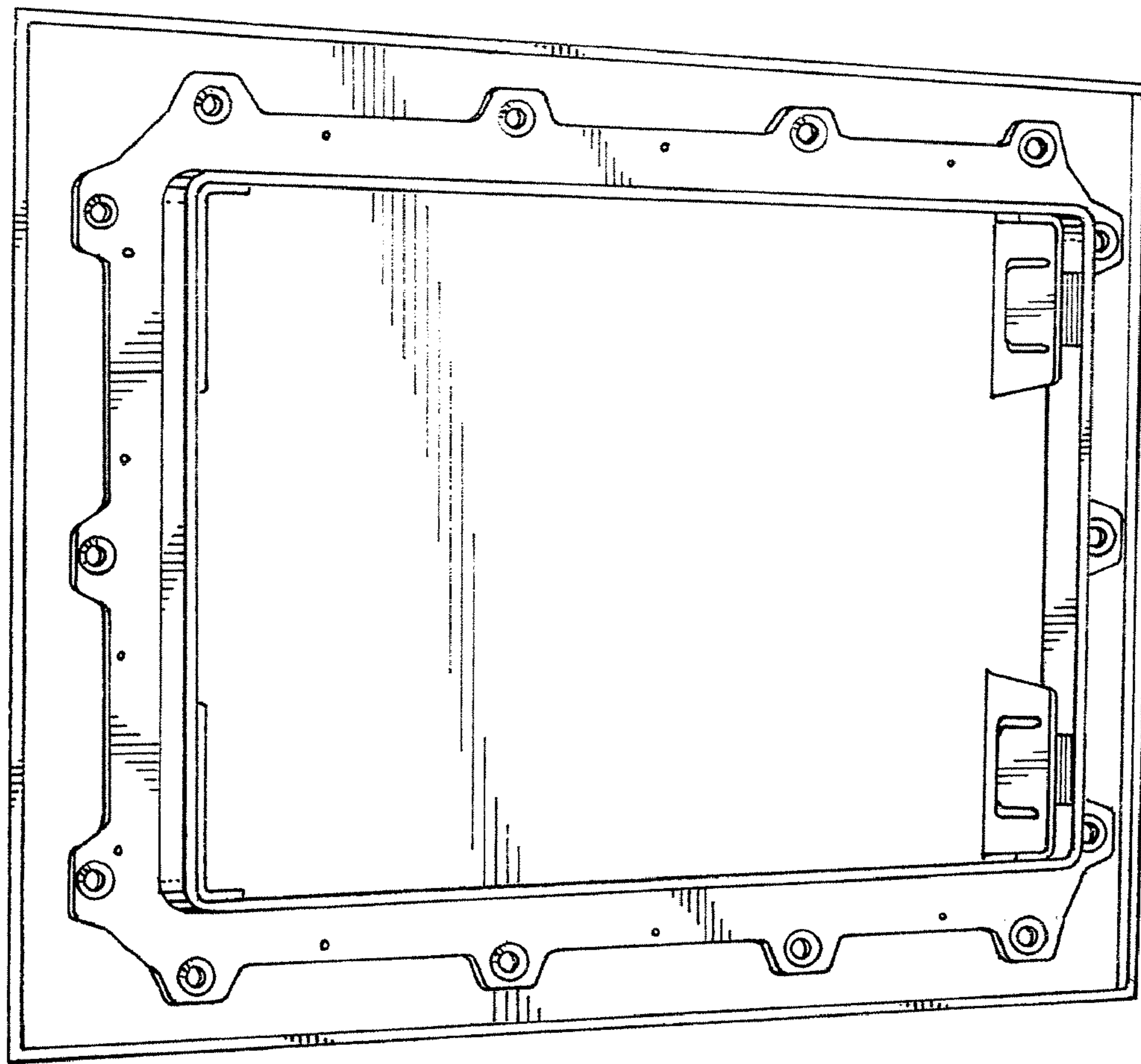
FIG. 1 is a perspective view of a wall-mountable access panel assembly according to the present invention; FIG. 2 is a front elevational view thereof; FIG. 3 is a rear elevational view thereof; FIG. 4 is a top plan view thereof, the bottom plan view being a mirror image of the top plan view; and, FIG. 5 is a left side elevational view thereof, the right side elevational view being a mirror image for the left side elevational view.

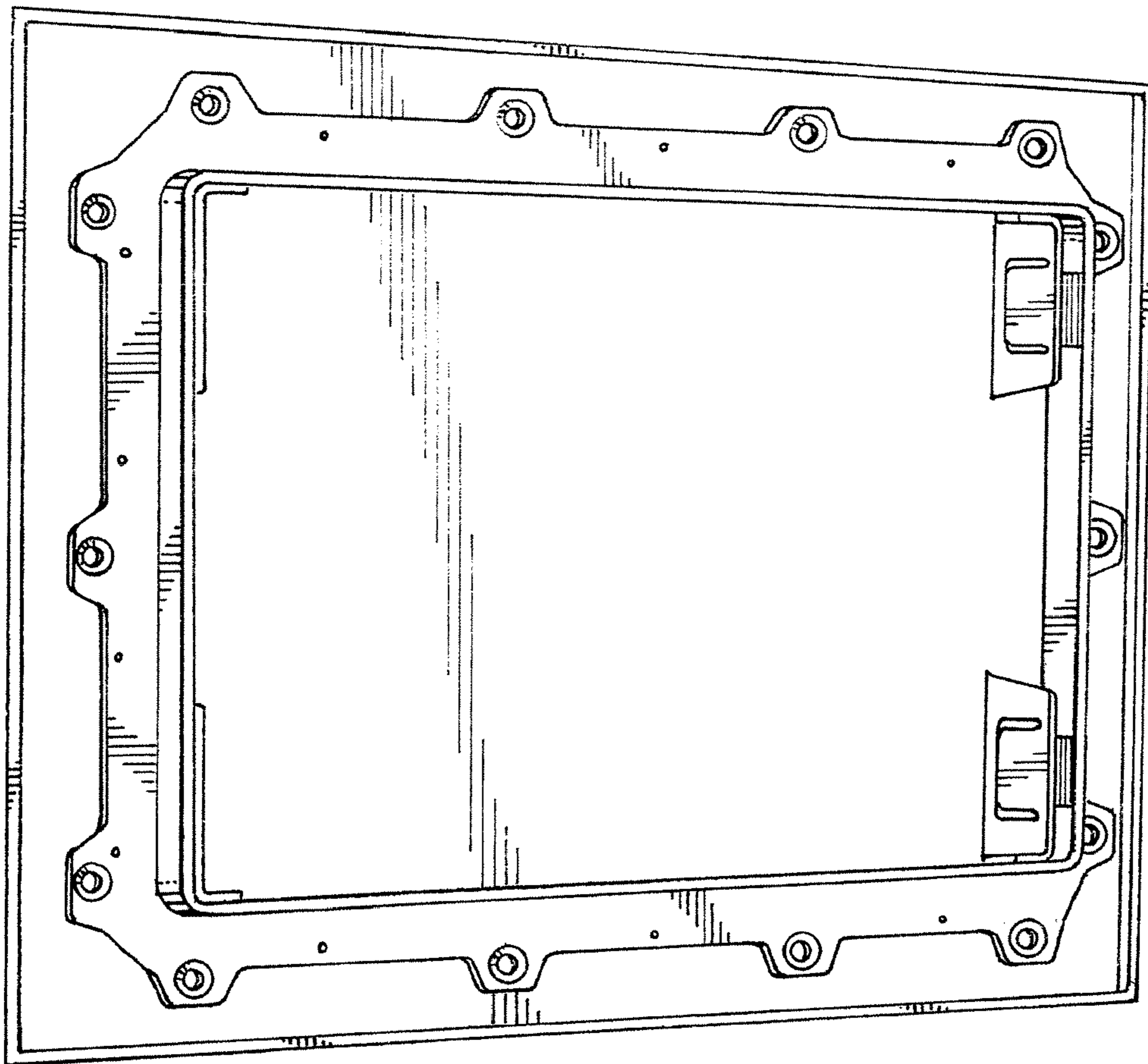
(56) **References Cited**

**U.S. PATENT DOCUMENTS**

3,286,405 A *	11/1966	Schembri .....	49/463
5,067,278 A *	11/1991	Lyons .....	49/463
5,623,801 A *	4/1997	Drumbl .....	52/514

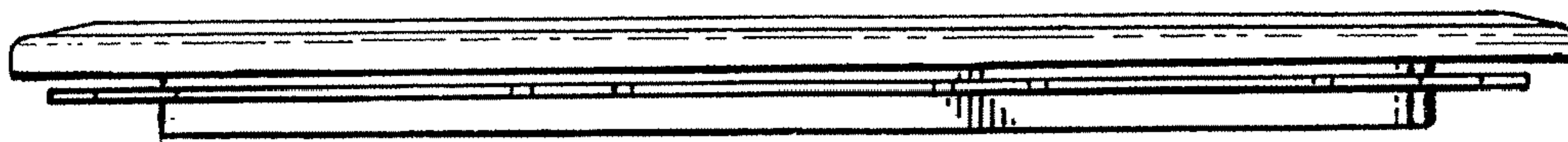
**1 Claim, 2 Drawing Sheets**



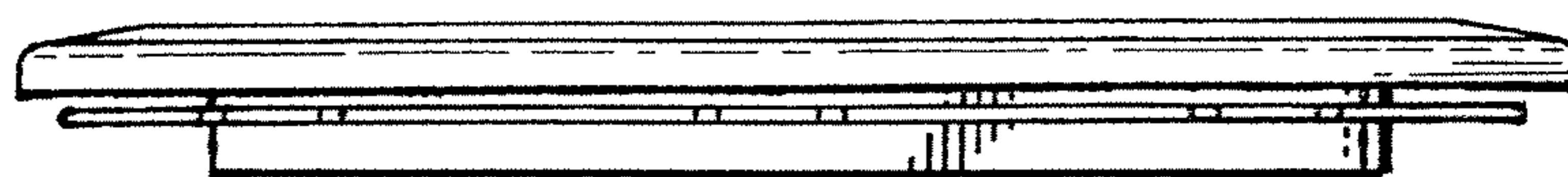


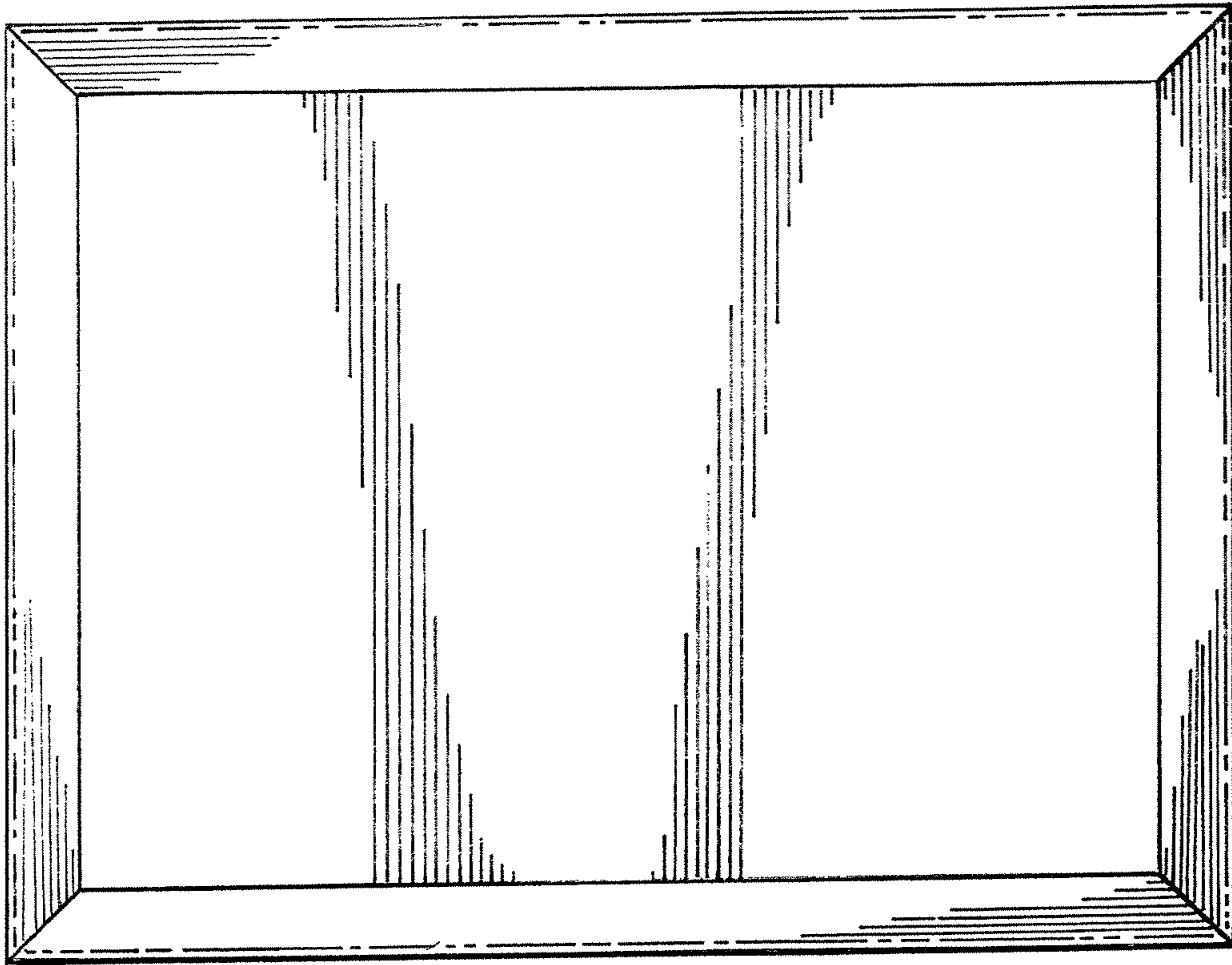
*Fig. 1.*

*Fig. 4.*



*Fig. 5.*





*Fig. 2.*

*Fig. 3.*

