



US00D635096S

(12) **United States Design Patent**  
**Wang et al.**

(10) **Patent No.:** **US D635,096 S**  
(45) **Date of Patent:** **\*\* Mar. 29, 2011**

(54) **ELECTRICAL CONNECTOR**

- (75) Inventors: **Chen-Xi Wang**, Kunshan (CN);  
**Hong-Qiang Han**, Kunshan (CN);  
**Zi-Qiang Zhu**, Kunshan (CN)
- (73) Assignee: **Hon Hai Precision Ind. Co., Ltd.**, New Taipei (TW)
- (\*\*) Term: **14 Years**
- (21) Appl. No.: **29/348,667**
- (22) Filed: **Jan. 26, 2010**

**Related U.S. Application Data**

- (63) Continuation of application No. 29/337,388, filed on May 21, 2009, now Pat. No. Des. 608,738.

(30) **Foreign Application Priority Data**

- Nov. 21, 2008 (CN) ..... 2008 3 0302303
- (51) **LOC (9) Cl.** ..... **13-03**
- (52) **U.S. Cl.** ..... **D13/147**
- (58) **Field of Classification Search** ..... D13/133,  
D13/147, 154, 184; 439/79, 108, 378, 607.1,  
439/607.2, 607.4, 607.5, 607.17, 607.25,  
439/607.34, 607.41, 607.53, 660, 680  
See application file for complete search history.

(56) **References Cited**

- U.S. PATENT DOCUMENTS
- D608,738 S \* 1/2010 Wang et al. .... D13/147
- \* cited by examiner
- Primary Examiner* — Daniel D Bui
- (74) *Attorney, Agent, or Firm* — Wei Te Chung; Andrew C. Cheng; Ming Chieh Chang

(57) **CLAIM**

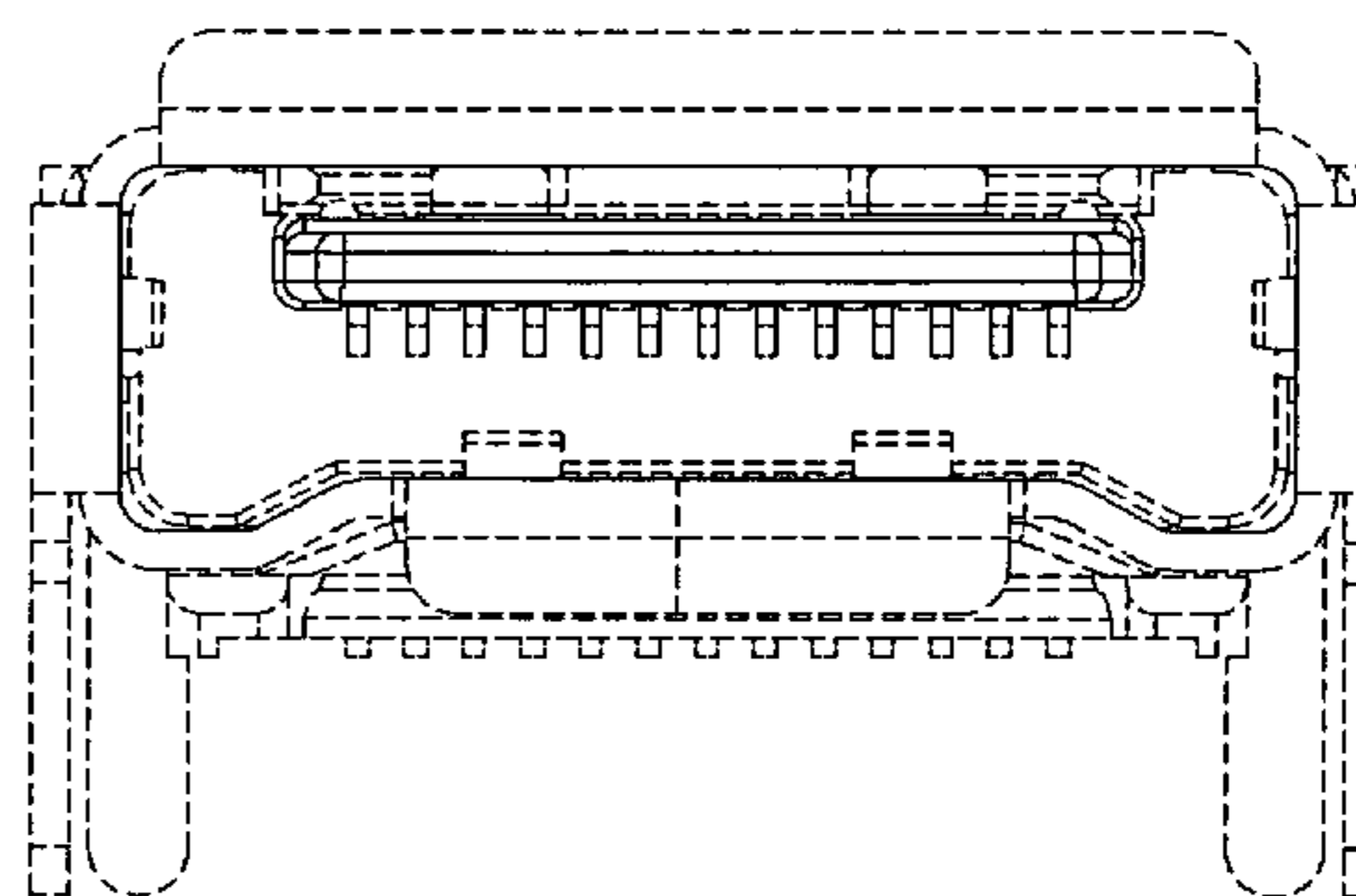
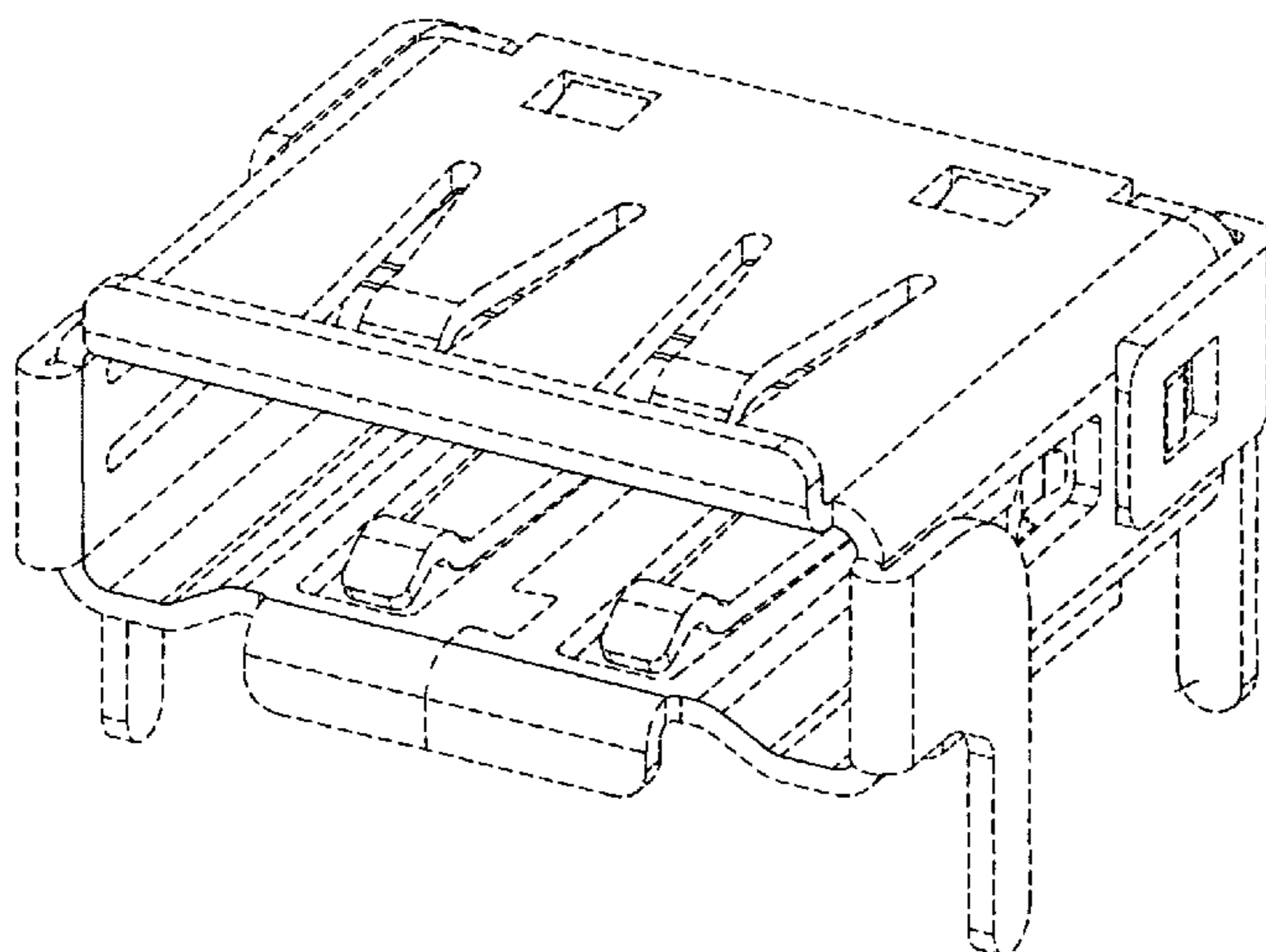
The ornamental design for an electrical connector, and described.

**DESCRIPTION**

FIG. 1 is a front, top and right side perspective view of an electrical connector showing our new design;  
 FIG. 2 is a front elevational view thereof;  
 FIG. 3 is a rear elevational view thereof;  
 FIG. 4 is a left side elevational view thereof;  
 FIG. 5 is a right side elevational view thereof;  
 FIG. 6 is a top plan view thereof; and,  
 FIG. 7 is a bottom plan view thereof.

The broken line portion of the figure drawings is included to show unclaimed subject matter only and forms no part of the claimed design.

**1 Claim, 7 Drawing Sheets**



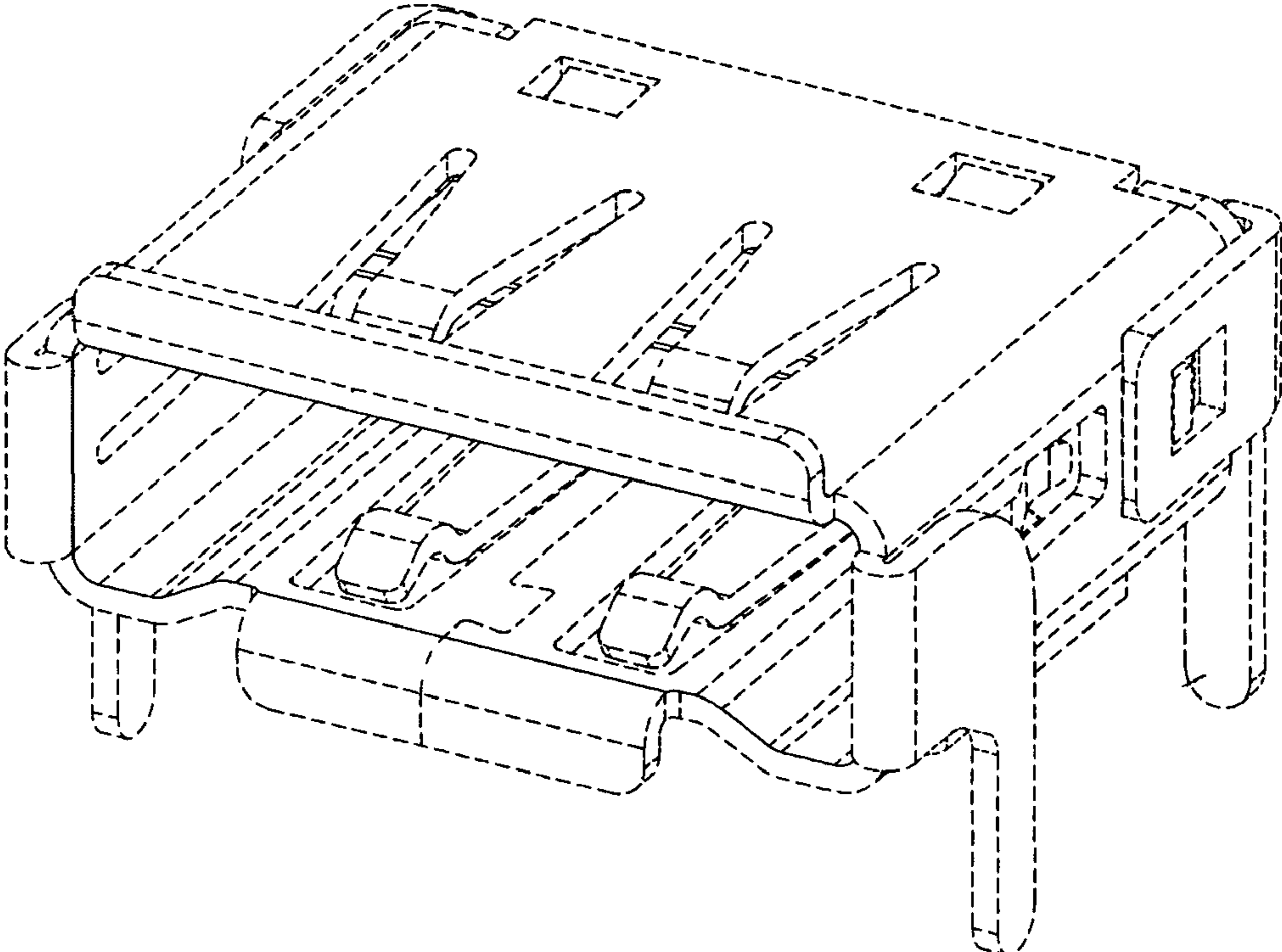


FIG. 1

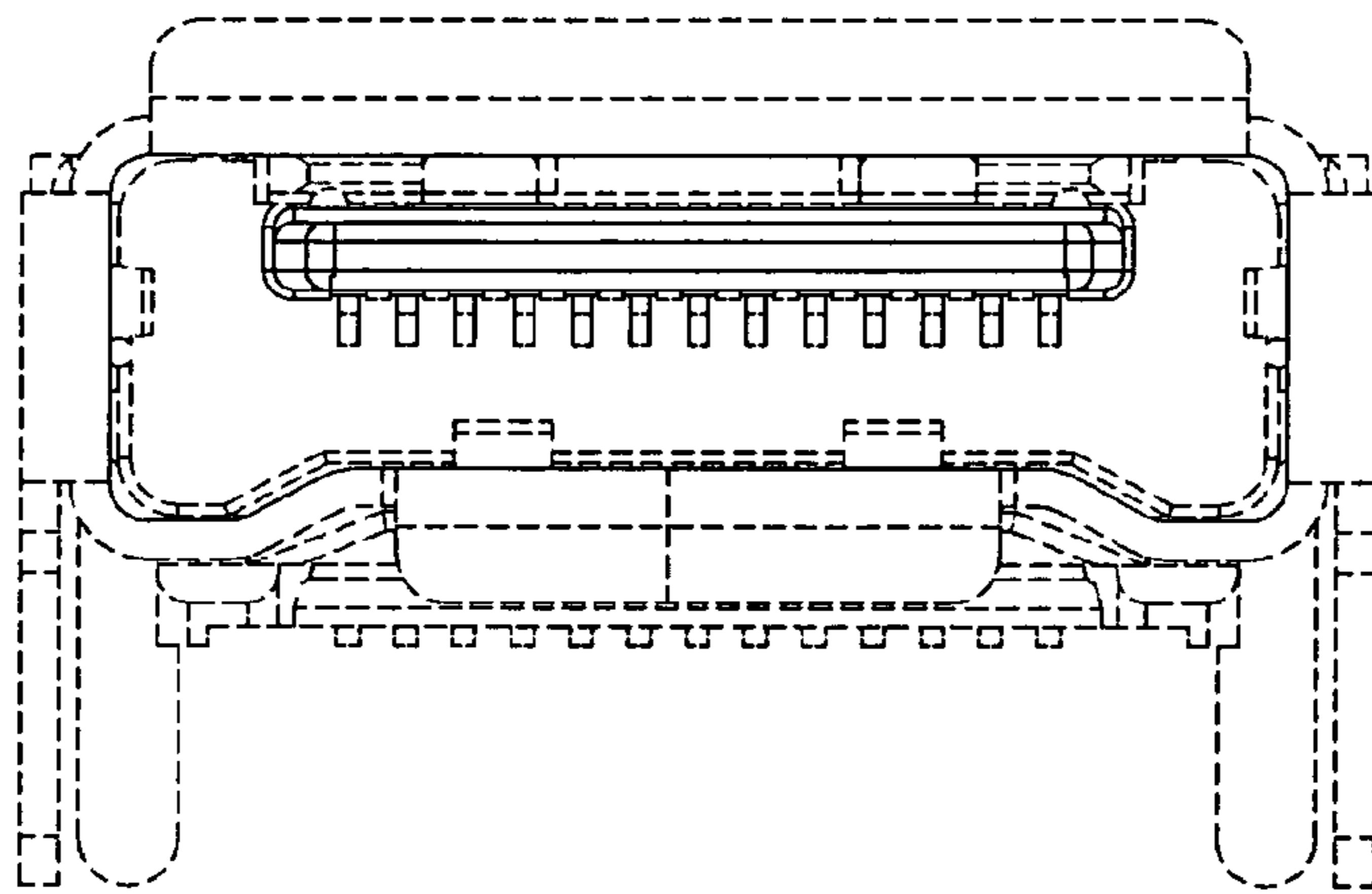


FIG. 2

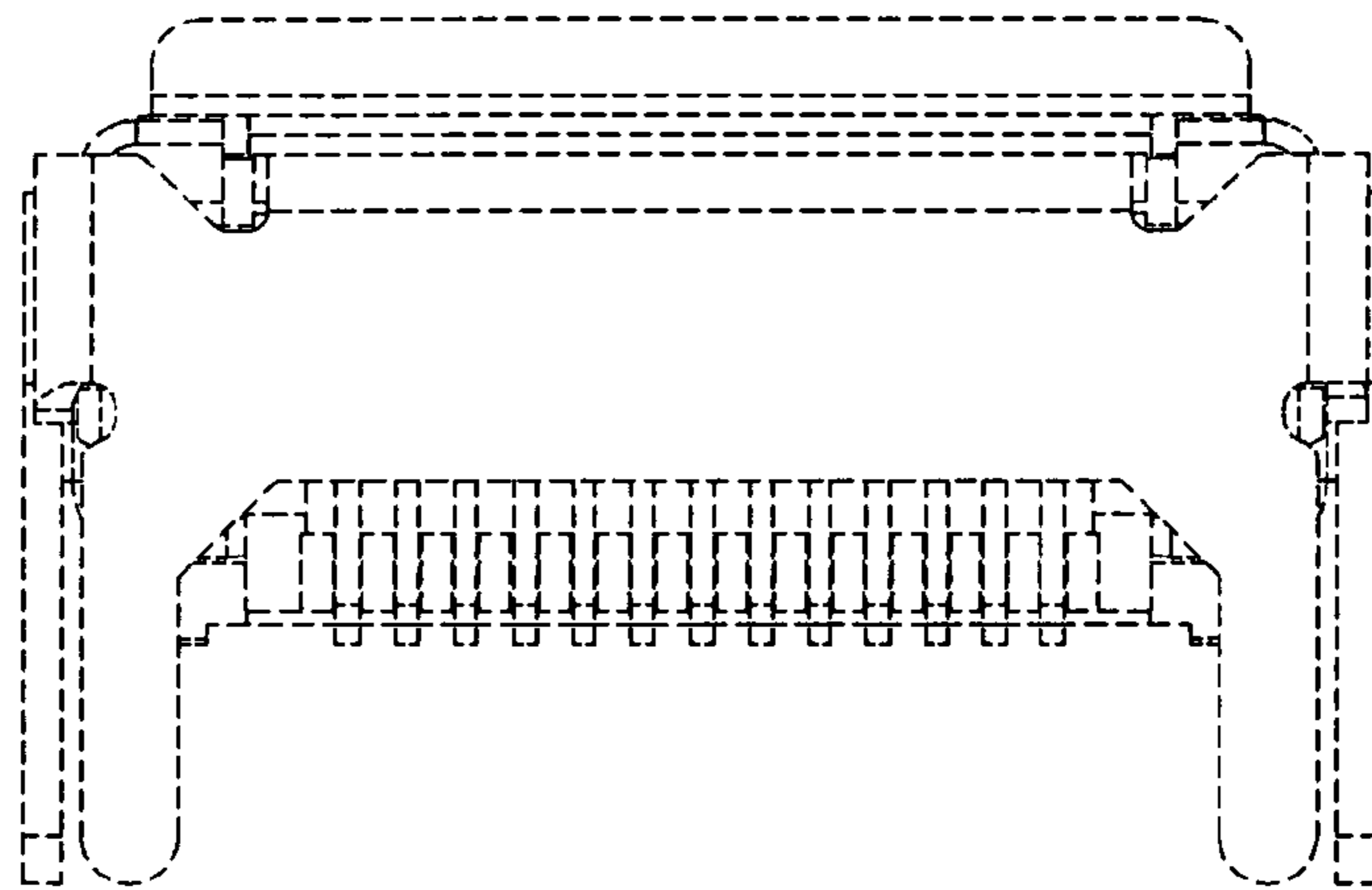


FIG. 3

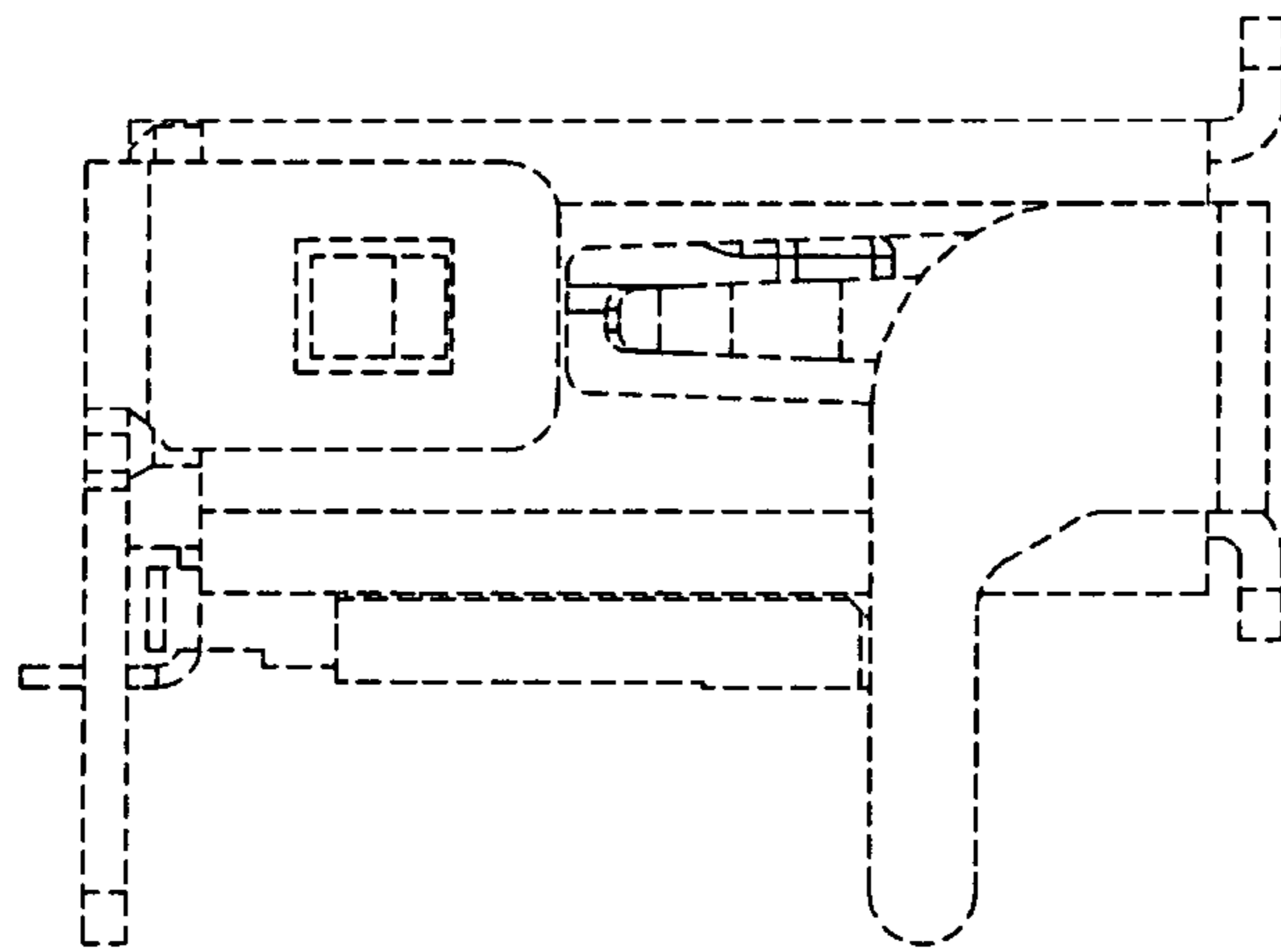


FIG. 4

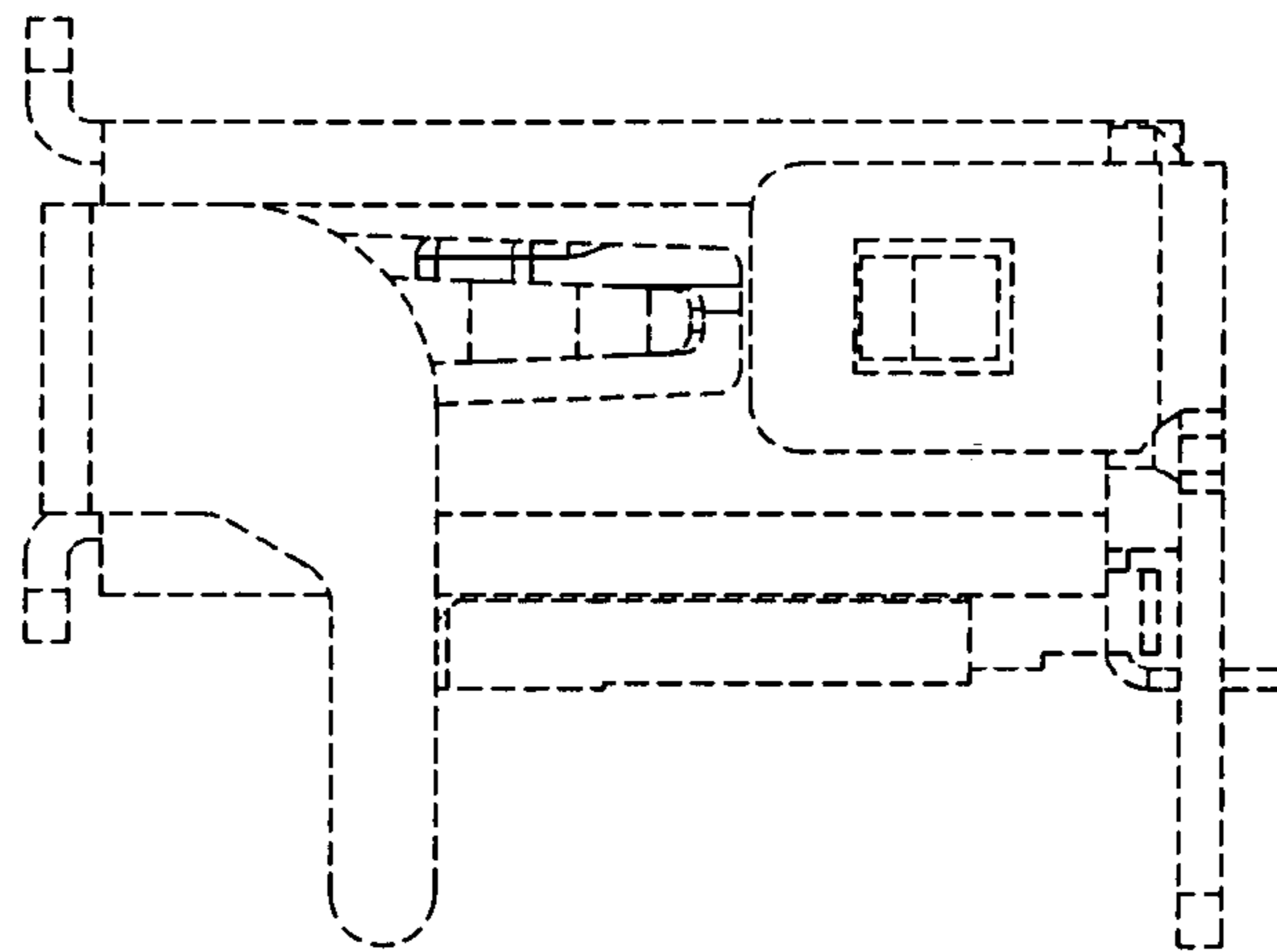


FIG. 5

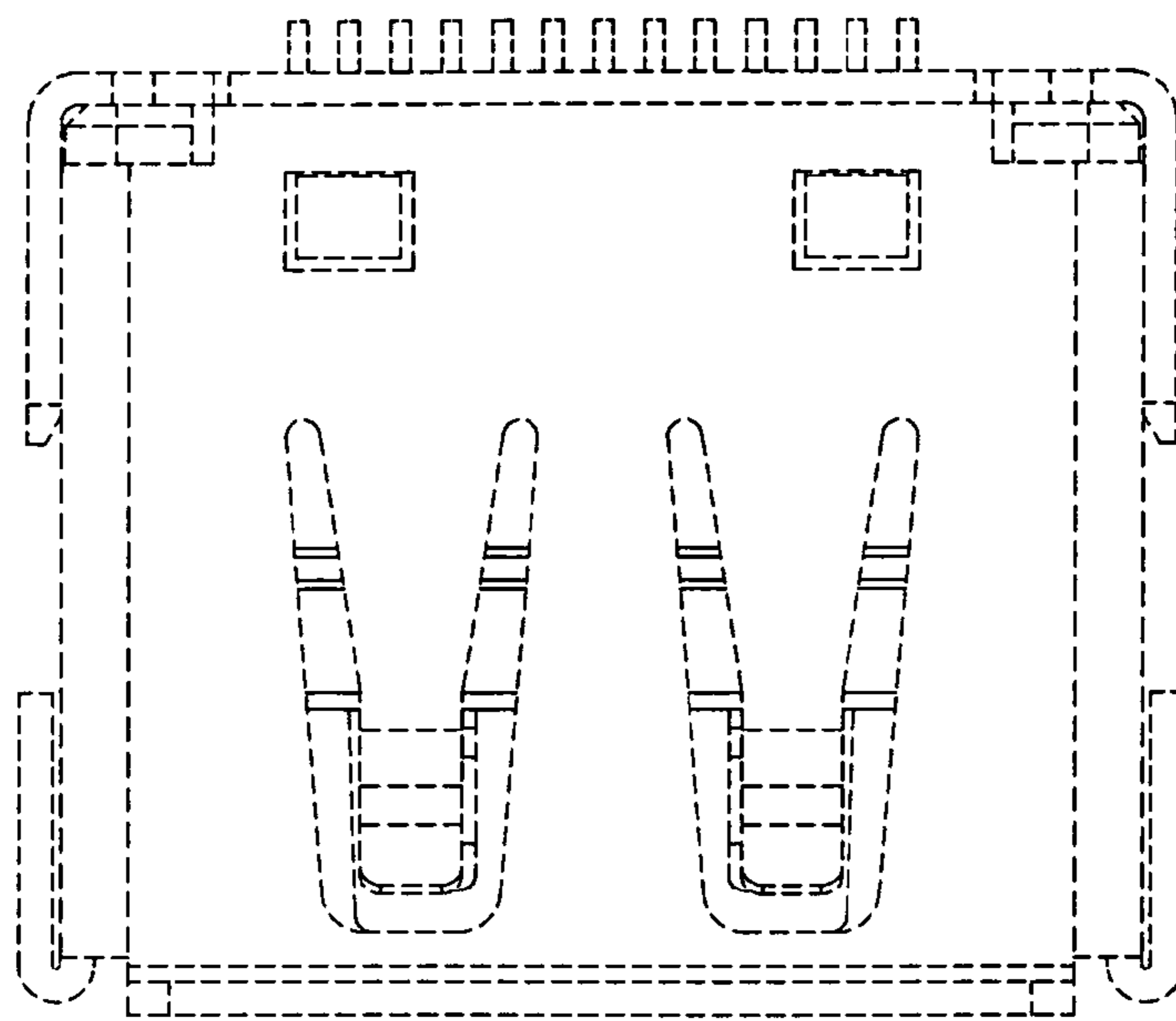


FIG. 6

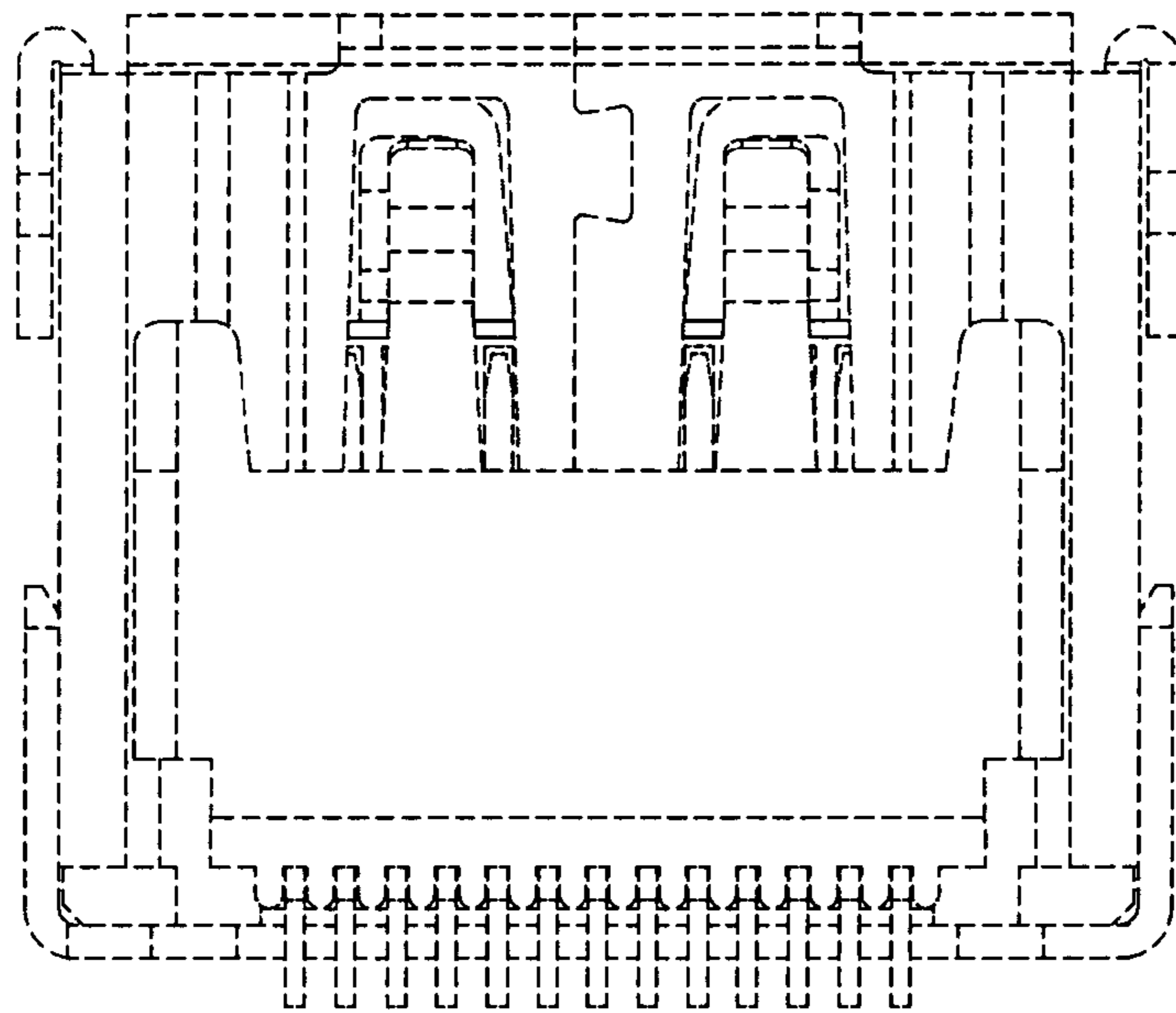


FIG. 7