



US00D635092S

(12) **United States Design Patent**  
**Huggins et al.**

(10) **Patent No.:** **US D635,092 S**

(45) **Date of Patent:** **\*\* \*Mar. 29, 2011**

(54) **MOTOR SWITCH HOUSING COVER**

(75) Inventors: **Marshall J. Huggins**, Kirkwood, MO (US); **Philip S. Johnson**, Granite City, IL (US); **William R. Lewis**, Hazelwood, MO (US)

(73) Assignee: **Nidec Motor Corporation**, St. Louis, MO (US)

(\*\*) Term: **14 Years**

(21) Appl. No.: **29/357,744**

(22) Filed: **Mar. 16, 2010**

(51) **LOC (9) Cl.** ..... **13-01**

(52) **U.S. Cl.** ..... **D13/122**

(58) **Field of Classification Search** ..... D13/122,  
D13/101, 112, 113, 114, 118, 158, 184, 199;  
D15/5, 199; 310/10, 40 R, 51, 58, 68 C,  
310/89, 91; 318/245, 255

See application file for complete search history.

(56) **References Cited**

**U.S. PATENT DOCUMENTS**

D185,638	S	*	7/1959	Moksu et al.	.....	D13/158
D191,706	S	*	11/1961	Jaeschke	.....	D13/122
D207,401	S	*	4/1967	Kerr et al.	.....	D13/114
D236,207	S	*	8/1975	Hershberger	.....	D13/122
4,236,092	A	*	11/1980	DiFlora	.....	310/68 C
D268,022	S	*	2/1983	Lenz et al.	.....	D13/122
D269,671	S	*	7/1983	Horsting	.....	D13/122
4,658,107	A		4/1987	Hildebrandt		
D314,550	S	*	2/1991	Sieber	.....	D13/114
5,475,275	A	*	12/1995	Dohogne et al.	.....	310/89
D441,823	S	*	5/2001	Blackhurst	.....	D21/797
6,809,445	B2	*	10/2004	Reddy	.....	310/89
D530,278	S	*	10/2006	Lyle et al.	.....	D13/122

**OTHER PUBLICATIONS**

Line Drawings depicting Prior Art Switch Cover Plate (on sale at least prior to Mar. 16, 2009).

Solid Surface Drawings depicting Prior Art Switch Cover Plate (on sale at least prior to Mar. 16, 2009).

\* cited by examiner

*Primary Examiner* — Stella M Reid

*Assistant Examiner* — Derrick Holland

(74) *Attorney, Agent, or Firm* — Hovey Williams LLP

(57) **CLAIM**

The ornamental design for a motor switch housing cover, as shown and described.

**DESCRIPTION**

FIG. 1 is a perspective view of a motor switch housing cover showing our new design in environmental use;

FIG. 2 is another perspective view thereof, shown with an alternate environment;

FIG. 3 is another perspective view thereof, opposite that of FIG. 2;

FIG. 4 is a top plan view thereof;

FIG. 5 is an end elevation view thereof;

FIG. 6 is an end elevation view thereof, opposite of that shown in FIG. 5;

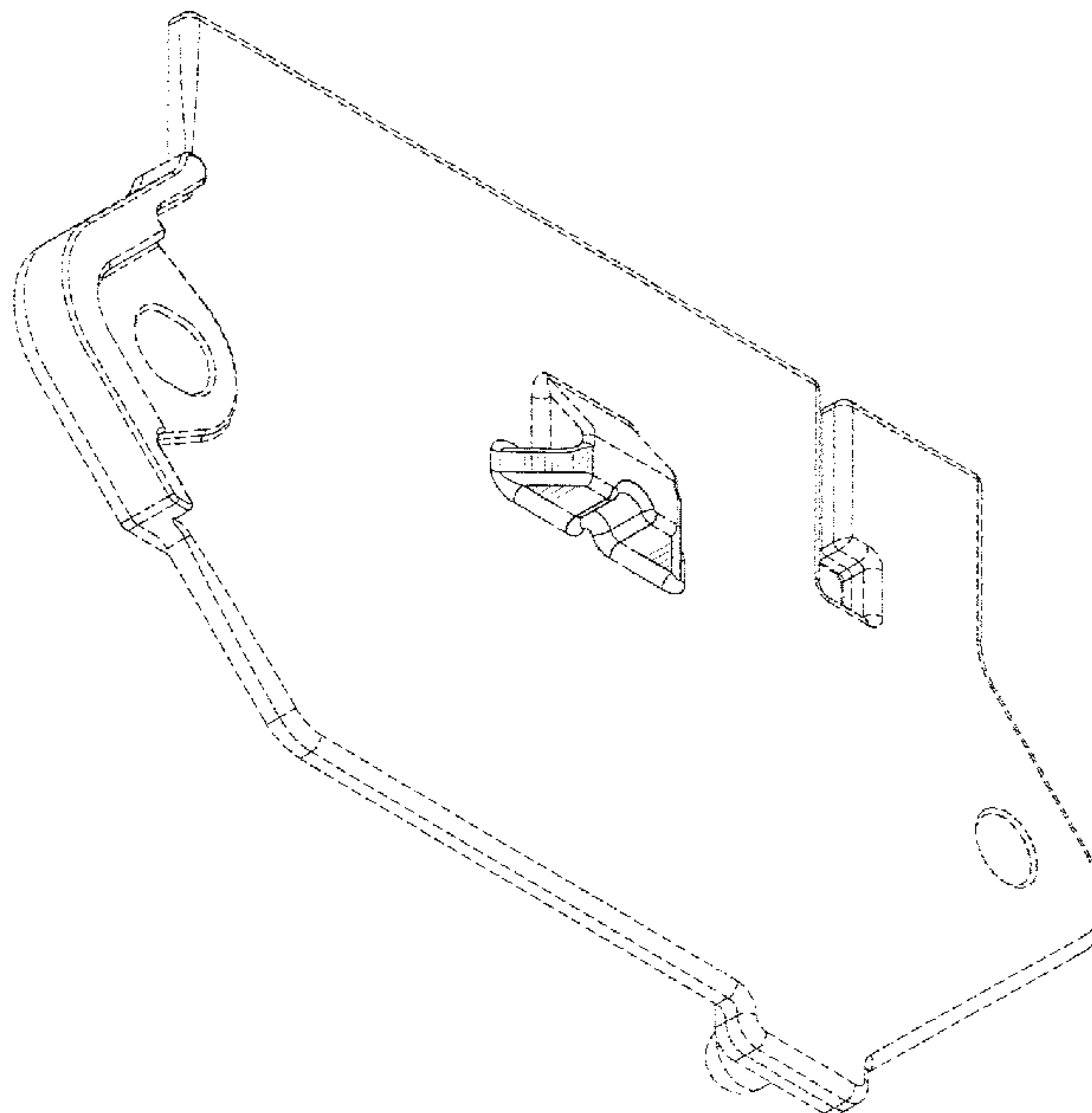
FIG. 7 is a side elevation view thereof;

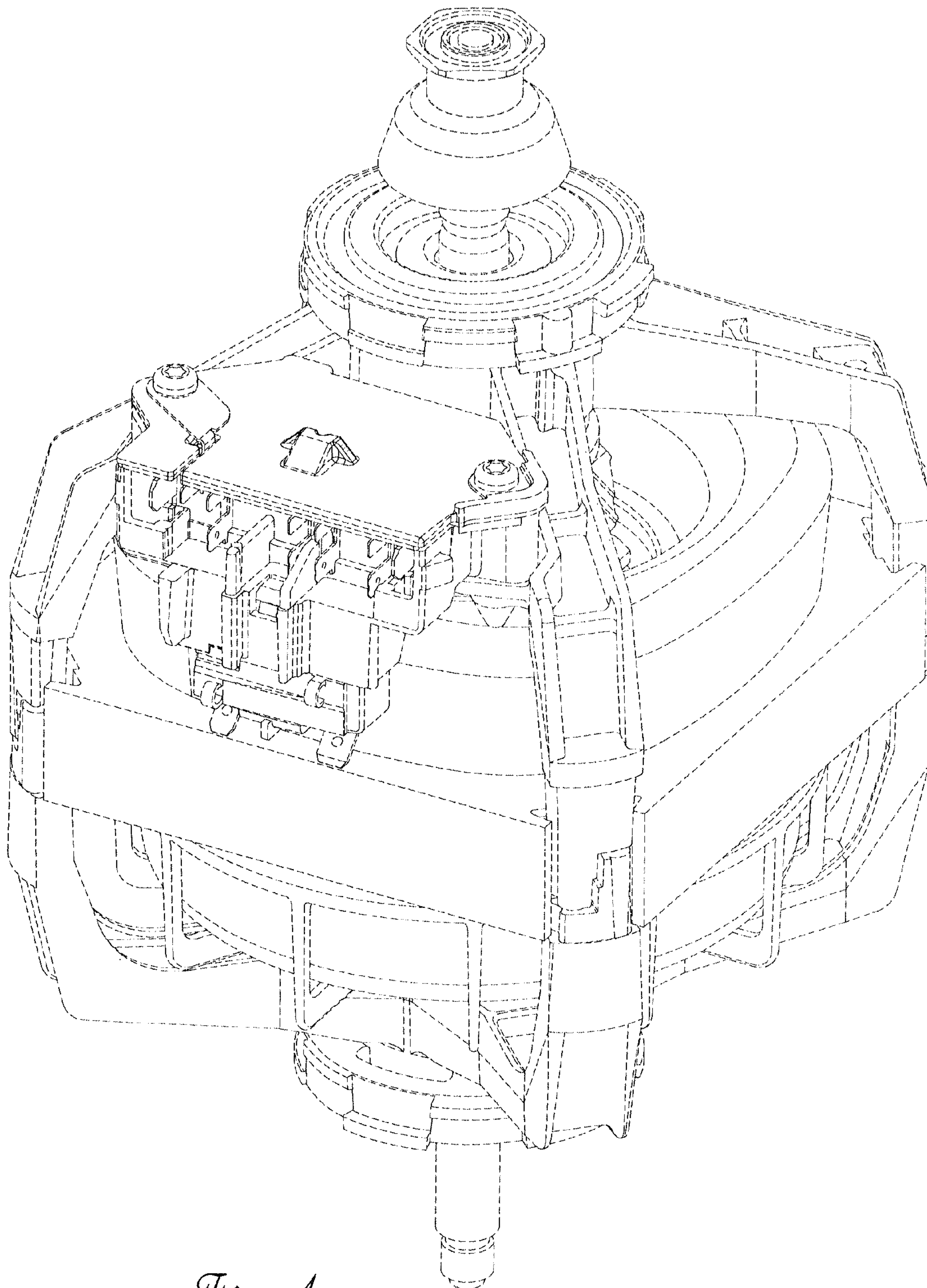
FIG. 8 is another side elevation view thereof, opposite of that shown in FIG. 7; and,

FIG. 9 is a bottom plan view thereof.

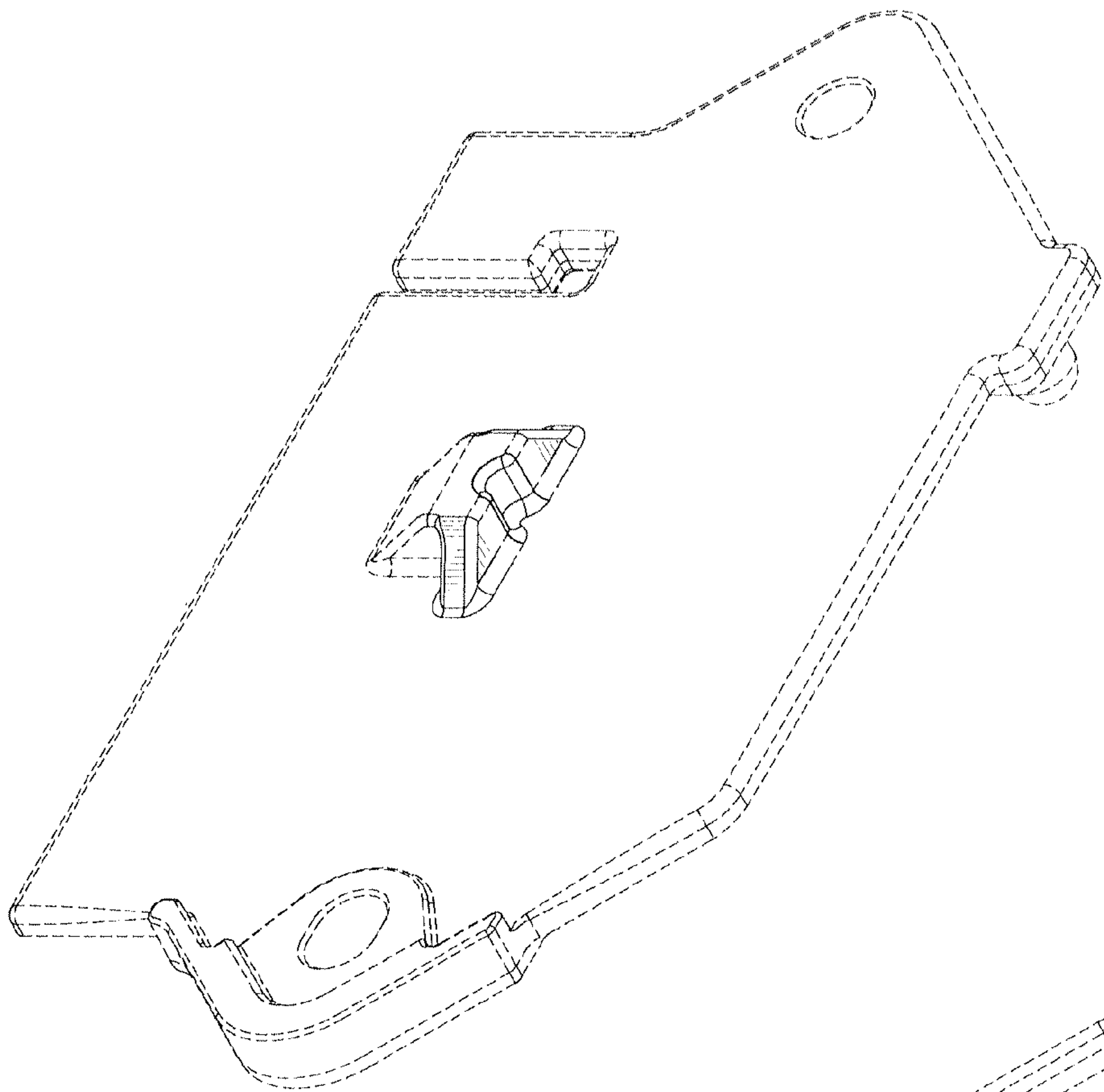
The broken lines that abut the shaded areas represent the boundaries of the claimed design, while all other broken lines are directed to environment and are for illustrative purposes only. None of the broken lines form part of the claimed design.

**1 Claim, 5 Drawing Sheets**

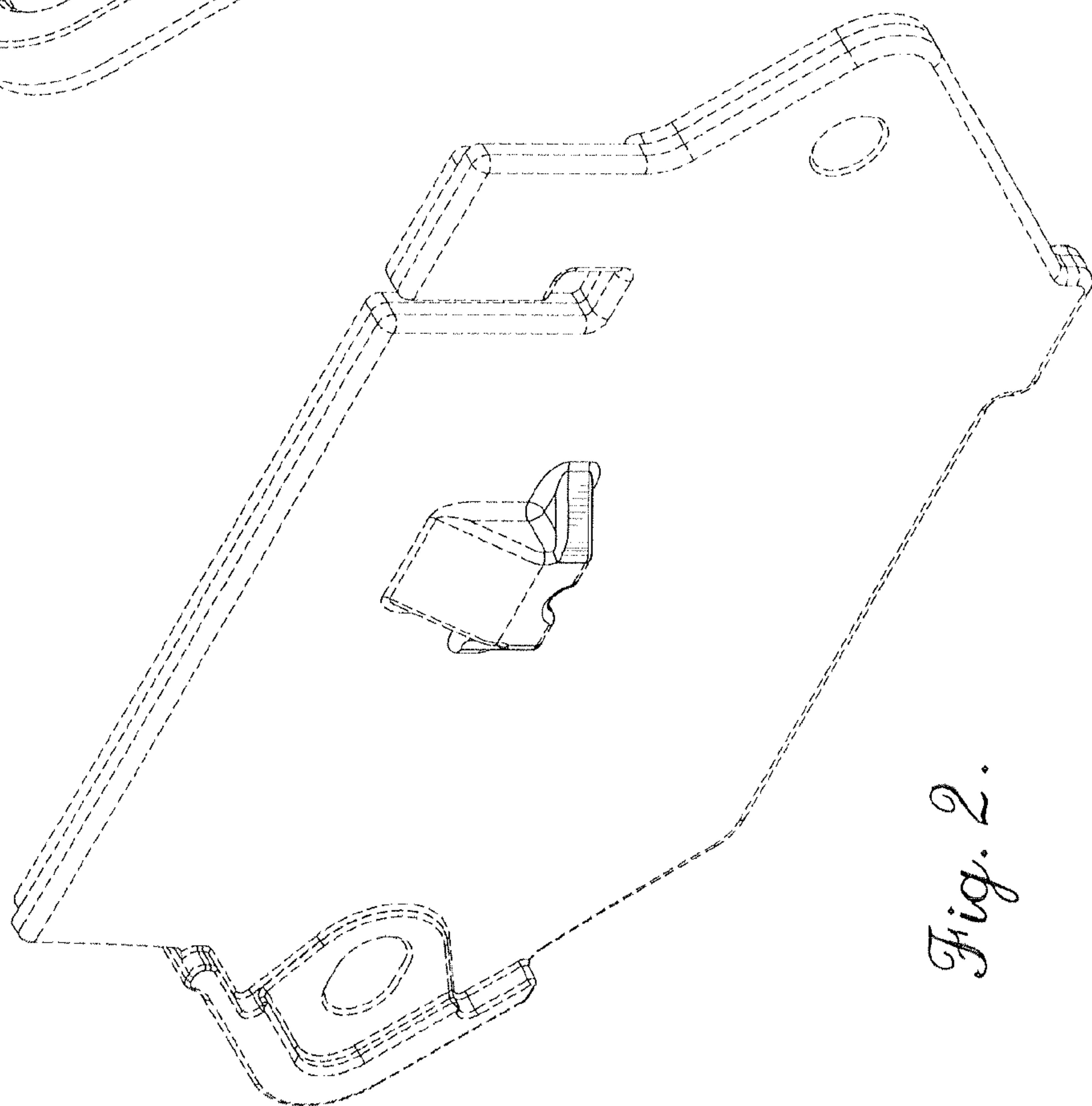




*Fig. 1.*

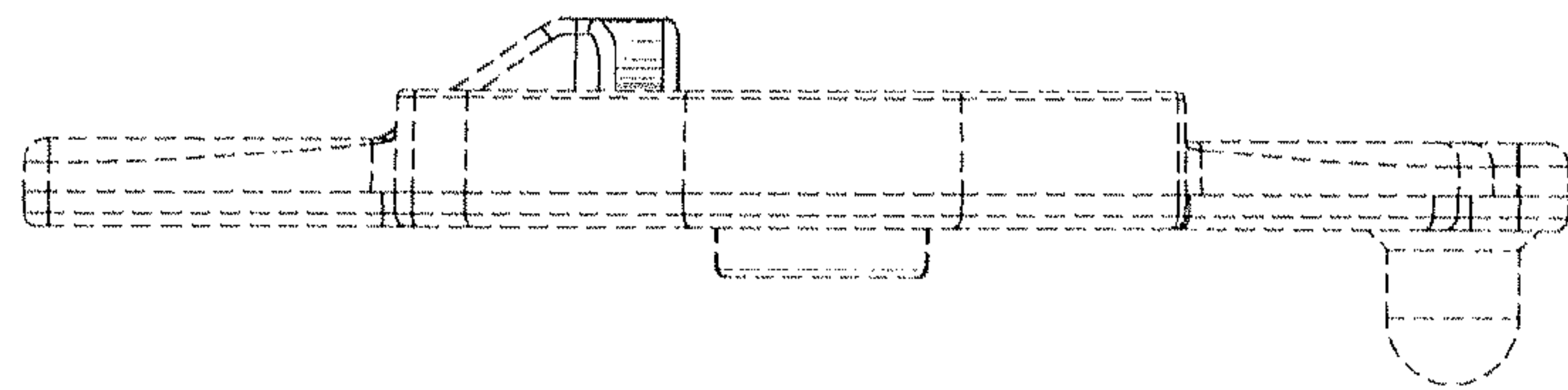


*Fig. 3.*

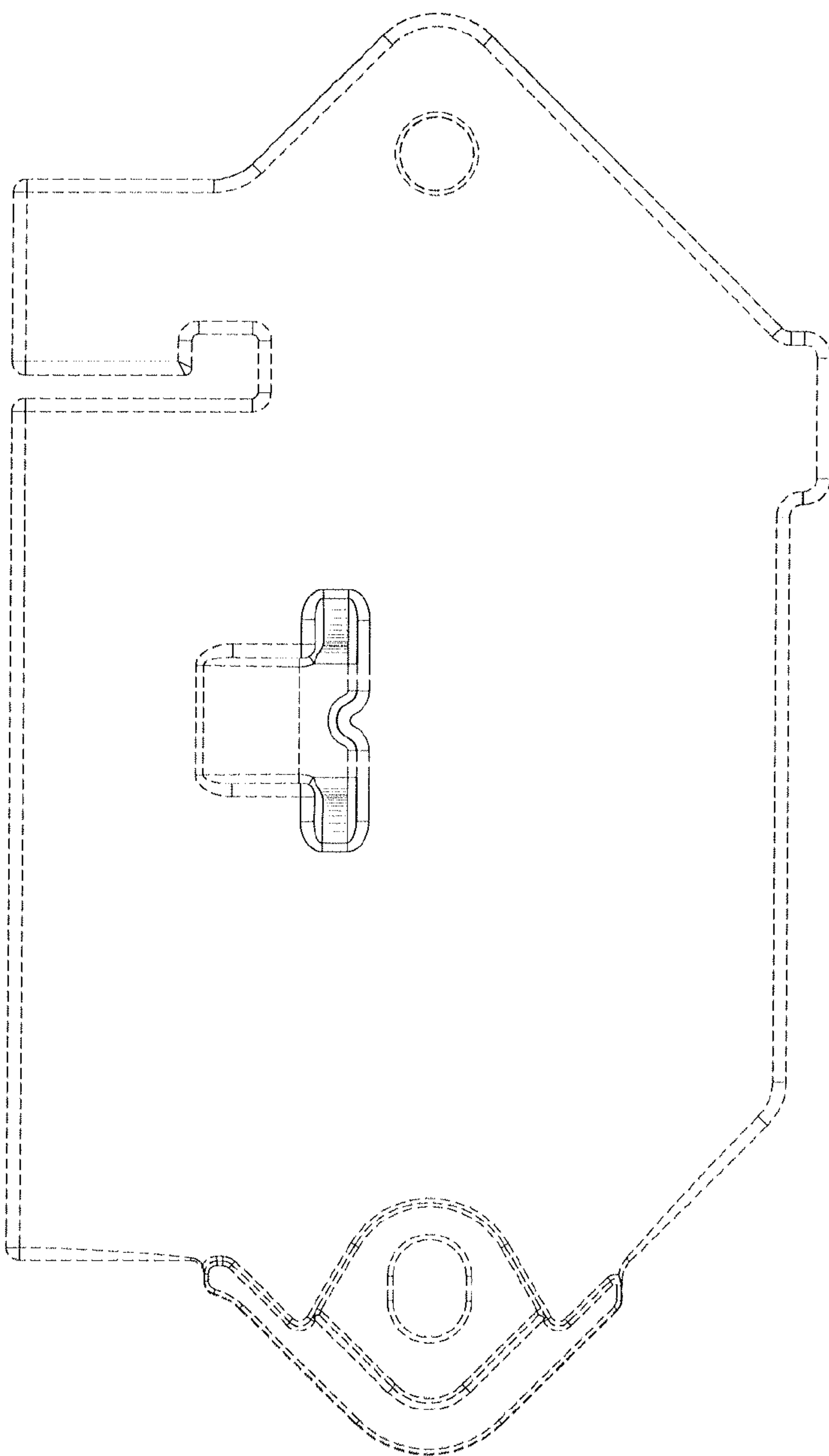


*Fig. 2.*

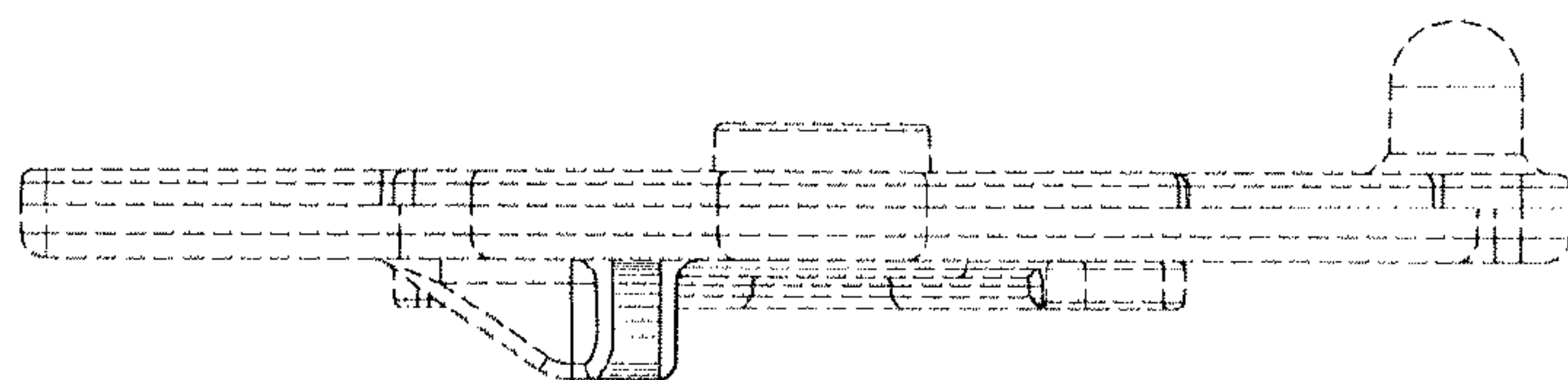




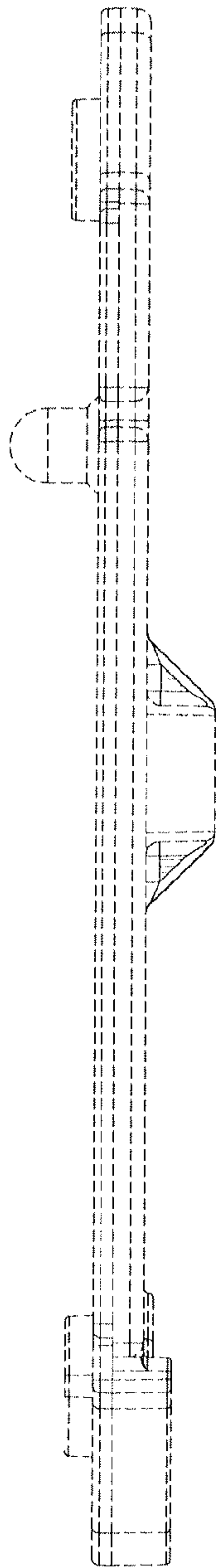
*Fig. 5.*



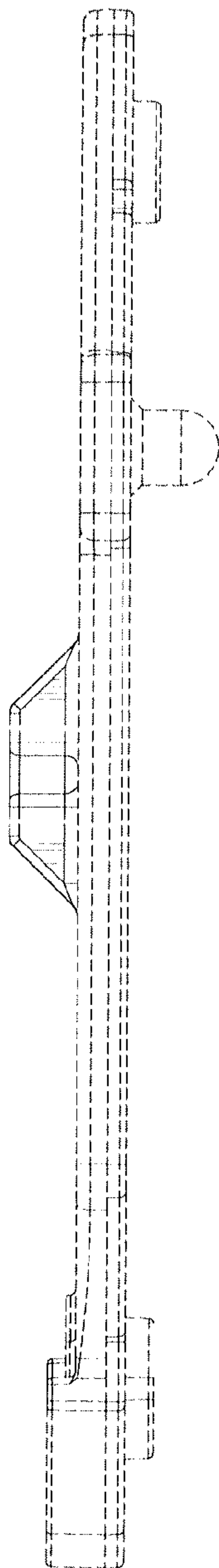
*Fig. 4.*



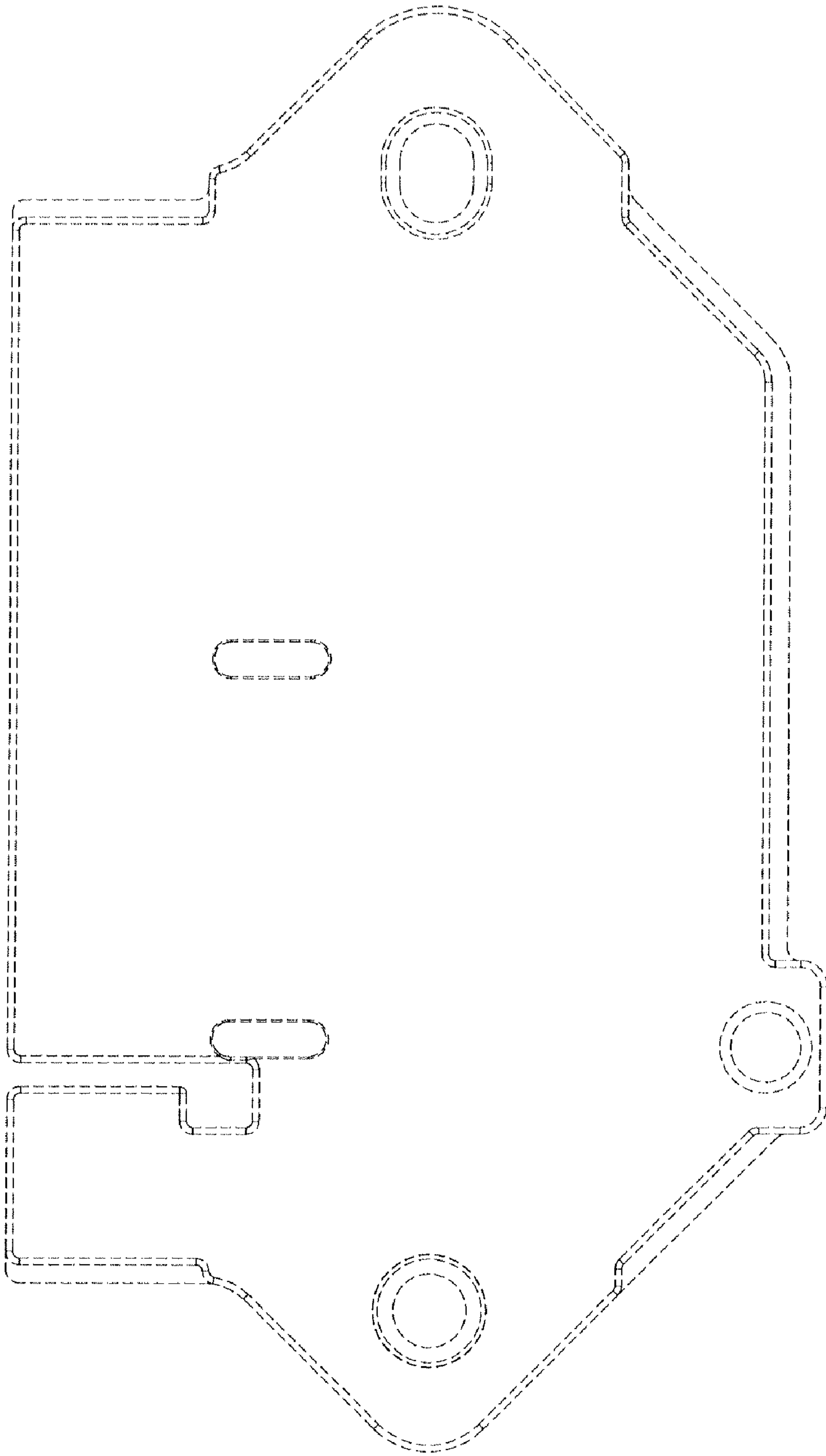
*Fig. 6.*



*Fig. 7.*



*Fig. 8.*



*Fig. 9.*