



US00D635091S

(12) **United States Design Patent**
Thorsteinsson et al.

(10) **Patent No.:** **US D635,091 S**
(45) **Date of Patent:** **** Mar. 29, 2011**

(54) **ELECTRICAL TRANSFORMER**

(75) Inventors: **Sigurdur Thorsteinsson**, Milan (IT);
Egil Stryken, Solbergelva (NO);
Richard Tinggren, Thalwil (CH)

(73) Assignee: **ABB Technology AG**, Zurich (CH)

(**) Term: **14 Years**

(21) Appl. No.: **29/366,251**

(22) Filed: **Jul. 22, 2010**

Related U.S. Application Data

(62) Division of application No. 29/356,632, filed on Mar. 1, 2010, now Pat. No. Des. 622,214, which is a division of application No. 29/336,557, filed on May 5, 2009, now Pat. No. Des. 613,687, which is a division of application No. 29/317,370, filed on Apr. 29, 2008, now Pat. No. Des. 594,408, which is a division of application No. 29/282,093, filed on Jul. 11, 2007, now Pat. No. Des. 570,282, which is a division of application No. 29/275,256, filed on Dec. 19, 2006, now Pat. No. Des. 550,155, which is a division of application No. 29/204,775, filed on May 5, 2004, now Pat. No. Des. 542,734.

(30) **Foreign Application Priority Data**

Nov. 12, 2003 (EM) 000102397

(51) **LOC (9) Cl.** **13-02**

(52) **U.S. Cl.** **D13/110**

(58) **Field of Classification Search** D13/110,
D13/101, 199; 174/52 R; 220/4.02; 336/92,
336/94, 98, 107; 363/153, 171

See application file for complete search history.

(56) **References Cited**

U.S. PATENT DOCUMENTS

2,325,470 A	7/1943	Bonanno et al.	
D188,248 S	6/1960	Albright et al.	
D188,249 S	6/1960	Albright et al.	
2,947,957 A	8/1960	Spindler	
D195,975 S	8/1963	Bianco et al.	
D202,045 S	8/1965	Oberlin	
D210,130 S	2/1968	Stewart	
3,479,563 A	11/1969	Roy	
3,541,487 A *	11/1970	Leonard	336/58
D219,923 S	2/1971	Marchand	
D222,480 S	10/1971	Canney	
3,781,741 A	12/1973	Weiner	
4,027,279 A	5/1977	Shigehara et al.	
D254,846 S	4/1980	Wood	
D257,342 S	10/1980	Payne	
4,257,027 A	3/1981	Yasuhisa	
D259,040 S	4/1981	Pierce	
D261,640 S *	11/1981	Alber et al.	D13/110
D290,456 S	6/1987	Burgher et al.	

(Continued)

OTHER PUBLICATIONS

ABB Inc., Power Transformers, 2003, 11 pgs.

(Continued)

Primary Examiner — Prabhakar Deshmukh

Assistant Examiner — Derrick Holland

(74) *Attorney, Agent, or Firm* — Connolly Bove Lodge & Hutz LLP

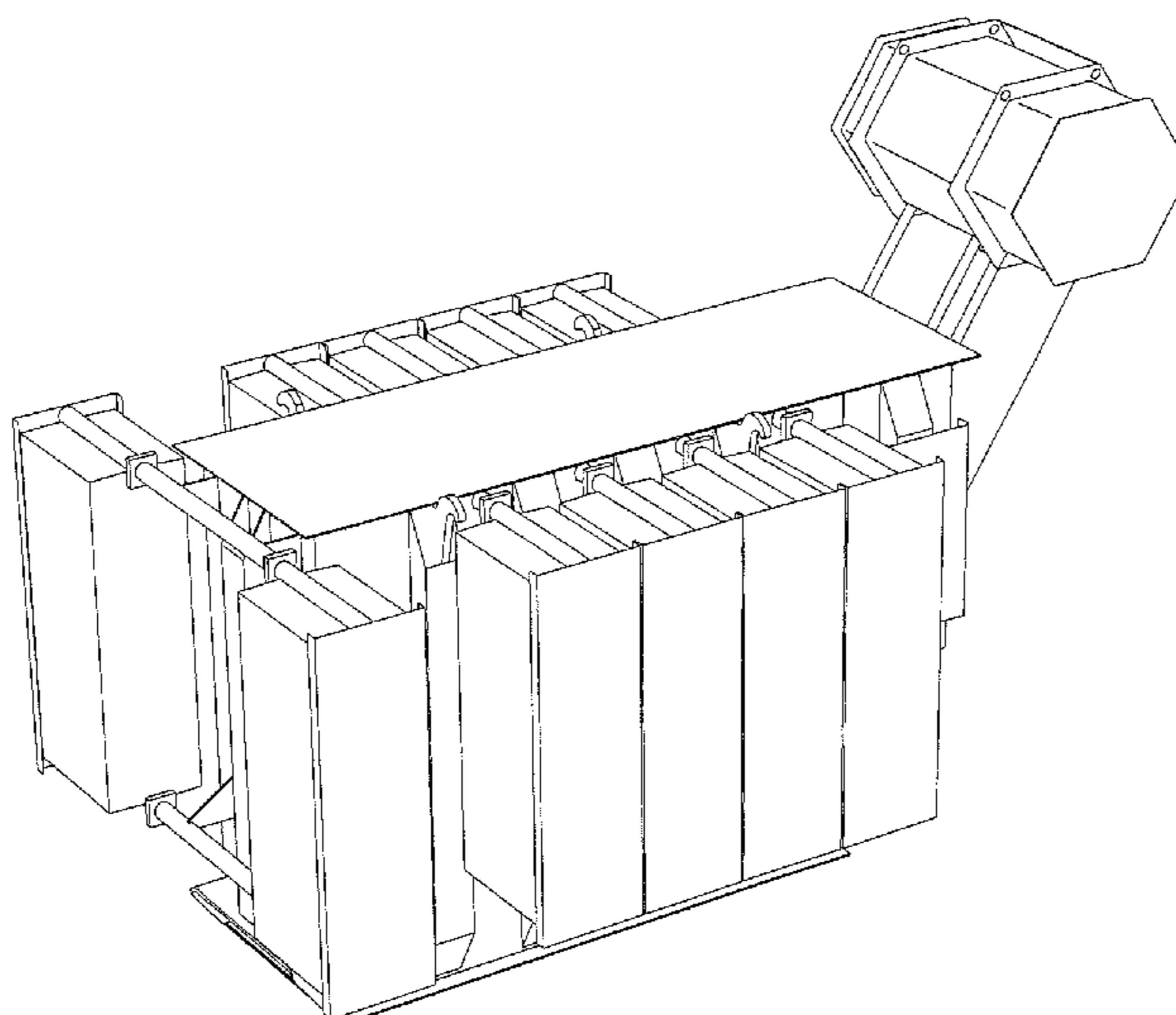
(57) **CLAIM**

The ornamental design for an electrical transformer, as shown and described.

DESCRIPTION

FIG. 1 is a front elevation view of an electrical transformer showing our new design;
FIG. 2 is a top plan view thereof;
FIG. 3 is a left side elevation view thereof; and,
FIG. 4 is a perspective view thereof.

1 Claim, 3 Drawing Sheets



US D635,091 S

Page 2

U.S. PATENT DOCUMENTS

D294,565 S 3/1988 Makinson et al.
D324,371 S 3/1992 Patty
D348,868 S 7/1994 Terlop et al.
6,185,811 B1 2/2001 Perry et al.

OTHER PUBLICATIONS

ASA Trafobau GmbH, 24 pgs.—Date unknown.

Koncar-Distributivni i Specijalni Transformatori d.d., Power Transformers (3,2) V 01, 8 pgs.—Date unknown.

SGB Starkstrom and SMIT Transformers, Partners in Power, 6 pgs.—Date unknown.

MF Transformatori srl, Oil Filled Transformer, 14 pgs., Date unknown.

* cited by examiner

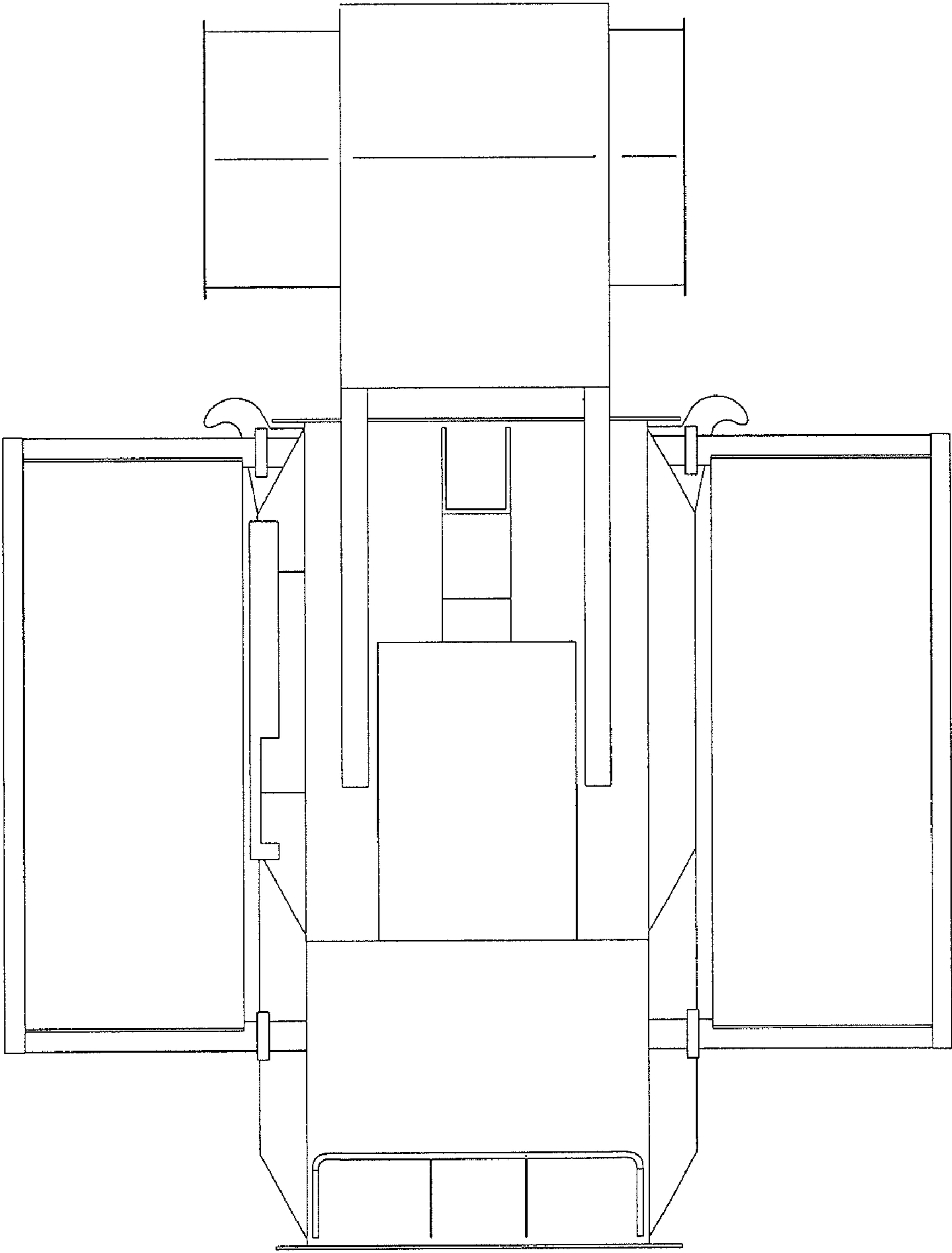


Fig. 1

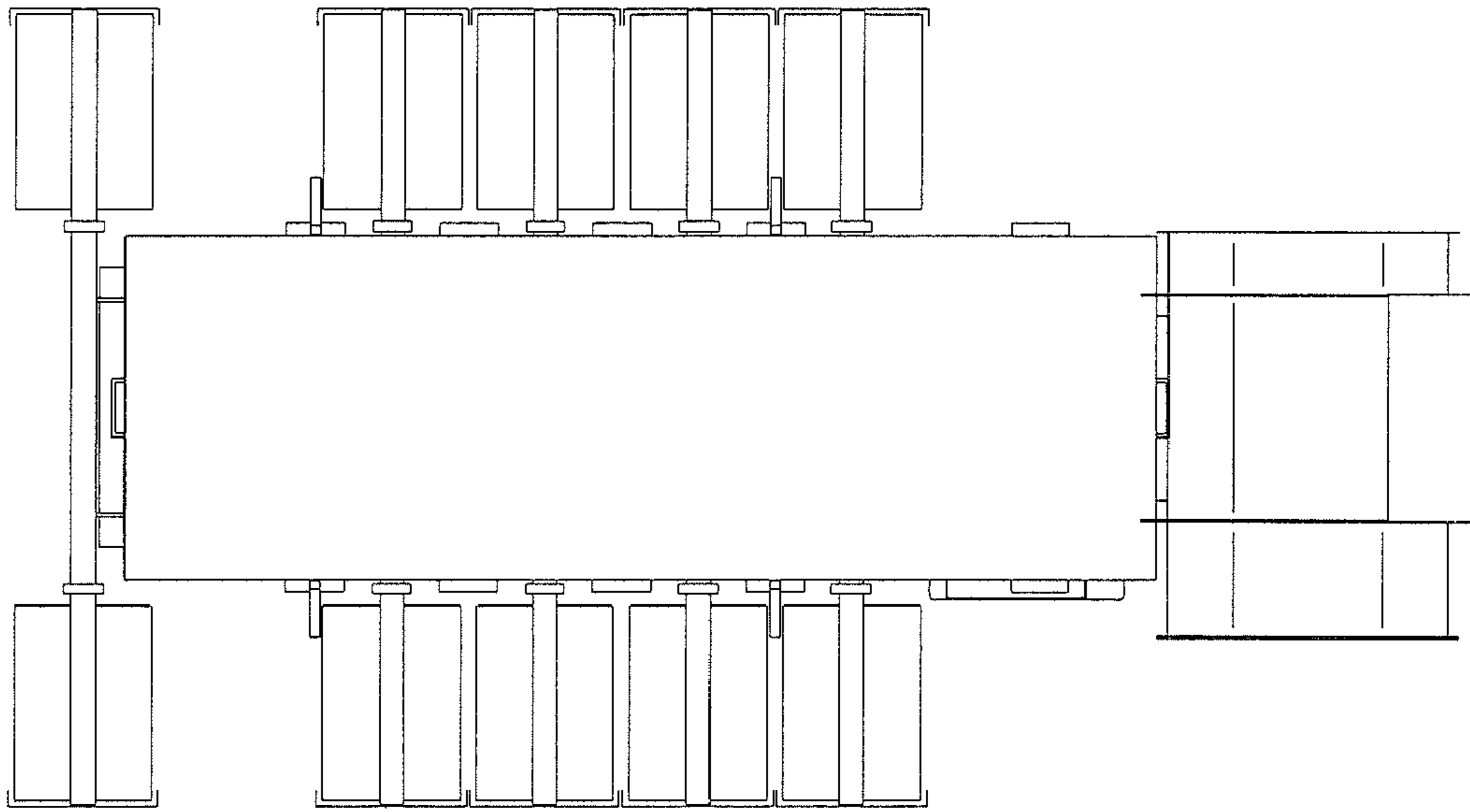


Fig. 2

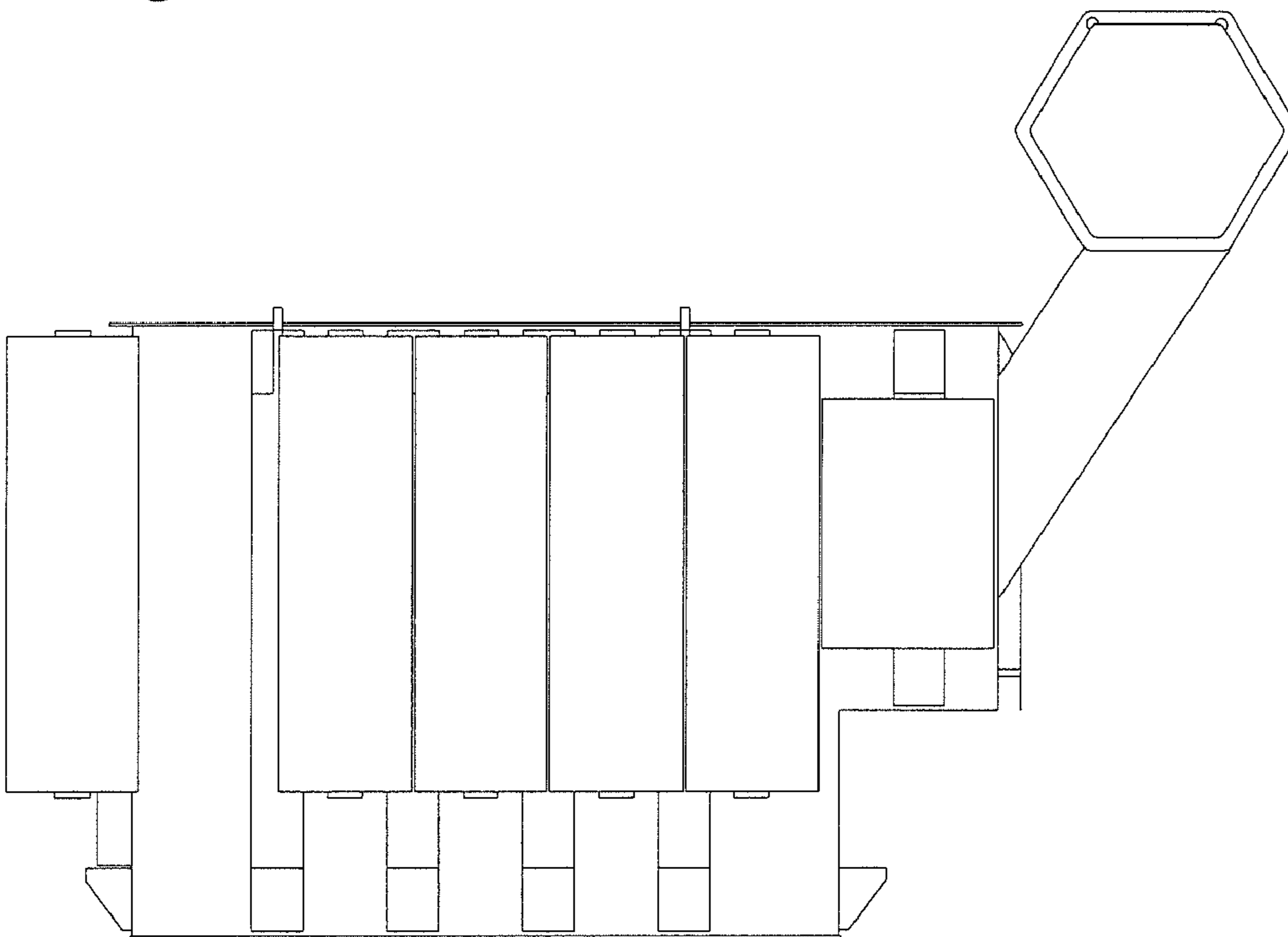


Fig. 3

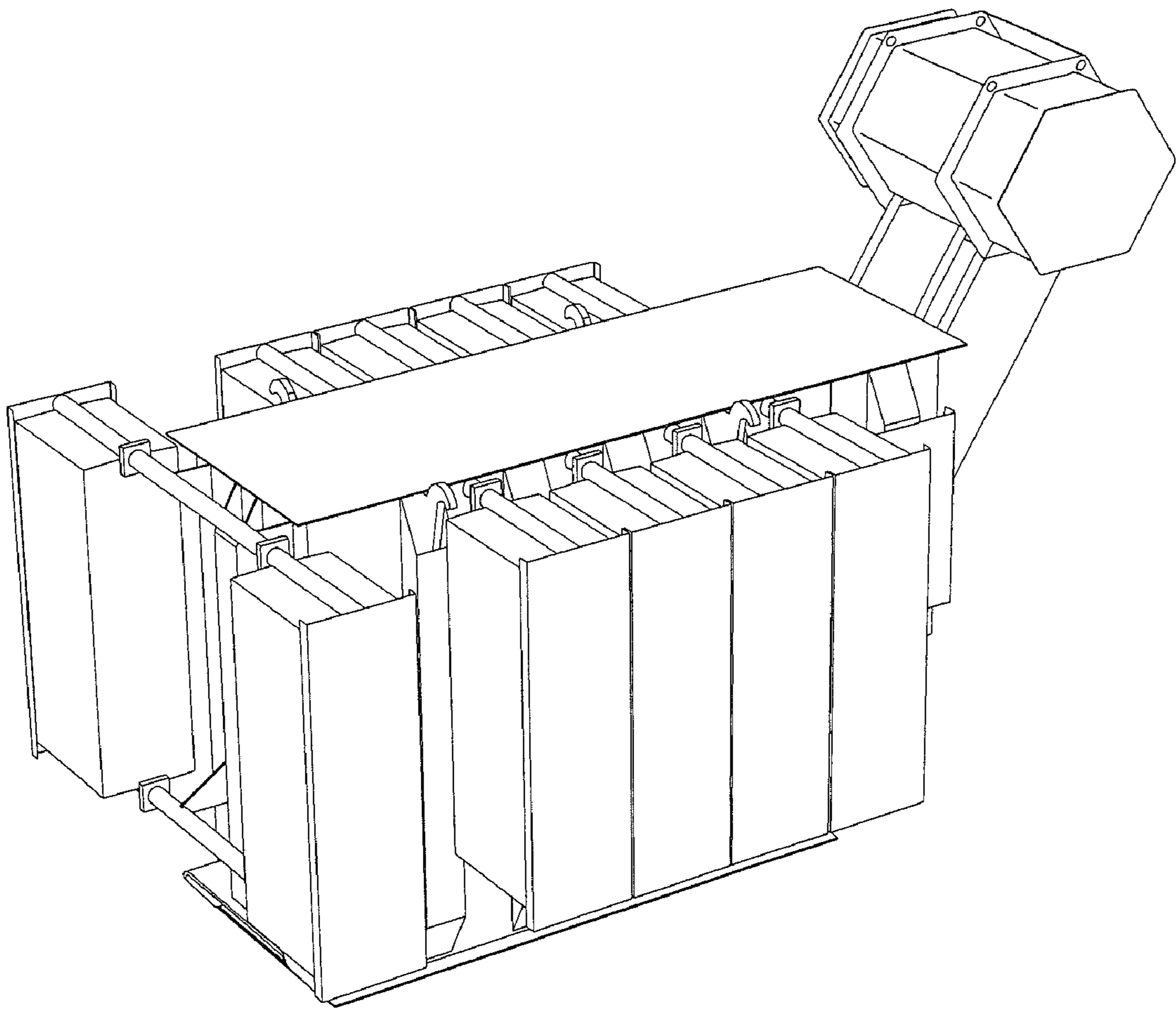


Fig. 4