



US00D635090S

(12) **United States Design Patent**
DuMelle et al.

(10) **Patent No.:** **US D635,090 S**
(45) **Date of Patent:** **** Mar. 29, 2011**

(54) **BATTERY CHARGER**

(75) Inventors: **Barbara Margaret DuMelle**, Niles, IL (US); **Christopher Michael Kubik**, Chicago, IL (US); **Patrick J. Clarke**, St. Charles, IL (US); **Samuel Weisbard**, Highland Park, IL (US); **Joseph J. Zenkus**, Lake in the Hills, IL (US); **Mark Kurth**, Chicago, IL (US); **Timothy Payne**, Chicago, IL (US); **Adam Callif**, Chicago, IL (US)

(73) Assignee: **Schumacher Electric Corporation**, Mt. Prospect, IL (US)

(**) Term: **14 Years**

(21) Appl. No.: **29/354,879**

(22) Filed: **Jan. 29, 2010**

(51) **LOC (9) Cl.** **13-02**

(52) **U.S. Cl.** **D13/107**

(58) **Field of Classification Search** D13/107-110, D13/118-119, 184, 199; D14/251, 253, D14/432, 434; 320/107-115
See application file for complete search history.

(56) **References Cited**

U.S. PATENT DOCUMENTS

D264,962	S	*	6/1982	Fellmann	D13/110
D444,122	S	*	6/2001	Krieger et al.	D13/107
D486,446	S	*	2/2004	Hriscu et al.	D13/110
D506,724	S	*	6/2005	Hriscu et al.	D13/107
D506,974	S	*	7/2005	Li	D13/107
D511,491	S	*	11/2005	Hriscu et al.	D13/107
D527,340	S	*	8/2006	Christiani et al.	D13/107
D530,271	S	*	10/2006	Hriscu et al.	D13/107
D530,272	S	*	10/2006	Hulden	D13/107
D532,748	S		11/2006	Disbennett et al.		
D537,410	S		2/2007	Yuen		
D549,170	S	*	8/2007	Yen	D13/107

D585,822	S	*	2/2009	Hsu	D13/107
D594,405	S		6/2009	Murray et al.		
D609,634	S	*	2/2010	Daniels et al.	D13/107
D610,982	S	*	3/2010	Shum et al.	D13/107

OTHER PUBLICATIONS

U.S. Appl. No. 29/354,853, filed Jan. 29, 2010, Barbara M. DuMelle.
U.S. Appl. No. 29/354,859, filed Jan. 29, 2010, Barbara M. DuMelle.
U.S. Appl. No. 29/354,851, filed Jan. 29, 2010, Barbara M. DuMelle.
U.S. Appl. No. 29/354,897, filed Jan. 29, 2010, Barbara M. DuMelle.
U.S. Appl. No. 29/354,887, filed Jan. 29, 2010, Barbara M. DuMelle.

(Continued)

Primary Examiner — Rosemary K Tarca

(74) *Attorney, Agent, or Firm* — John S. Paniaguas; Katten Muchin Rosenman LLP

(57) **CLAIM**

The ornamental design for a battery charger, as shown and described.

DESCRIPTION

FIG. 1 is a front isometric view of a battery charger in accordance with one embodiment of the present invention.

FIG. 2 is a rear isometric view of the battery charger illustrated in FIG. 1.

FIG. 3 is a rear elevation view of the battery charger illustrated in FIG. 1.

FIG. 4 is a right side elevation view of the battery charger illustrated in FIG. 1.

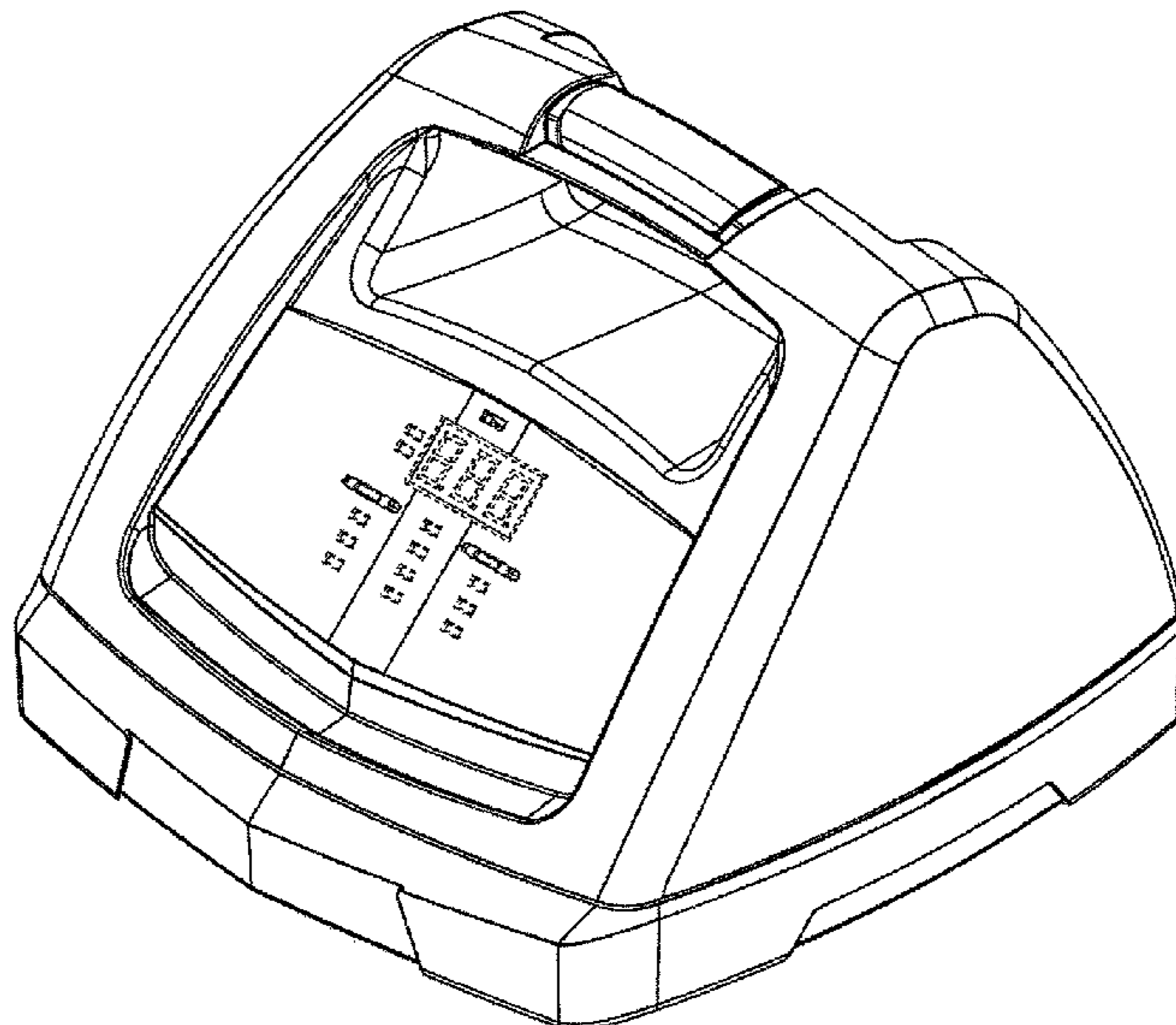
FIG. 5 is a front elevation view of the battery charger illustrated in FIG. 1.

FIG. 6 is a top plan view of the battery charger illustrated in FIG. 1; and,

FIG. 7 is a bottom plan view of the battery charger illustrated in FIG. 1.

The broken lines shown in the drawings are included for the purpose of illustrating unclaimed portions of the battery charger and form no part of the claimed design.

1 Claim, 4 Drawing Sheets



US D635,090 S

Page 2

OTHER PUBLICATIONS

U.S. Appl. No. 29/356,065, filed Feb. 19, 2010, Barbara M. DuMelle.

U.S. Appl. No. 29/354,902, filed Jan. 29, 2010, Barbara M. DuMelle.

* cited by examiner

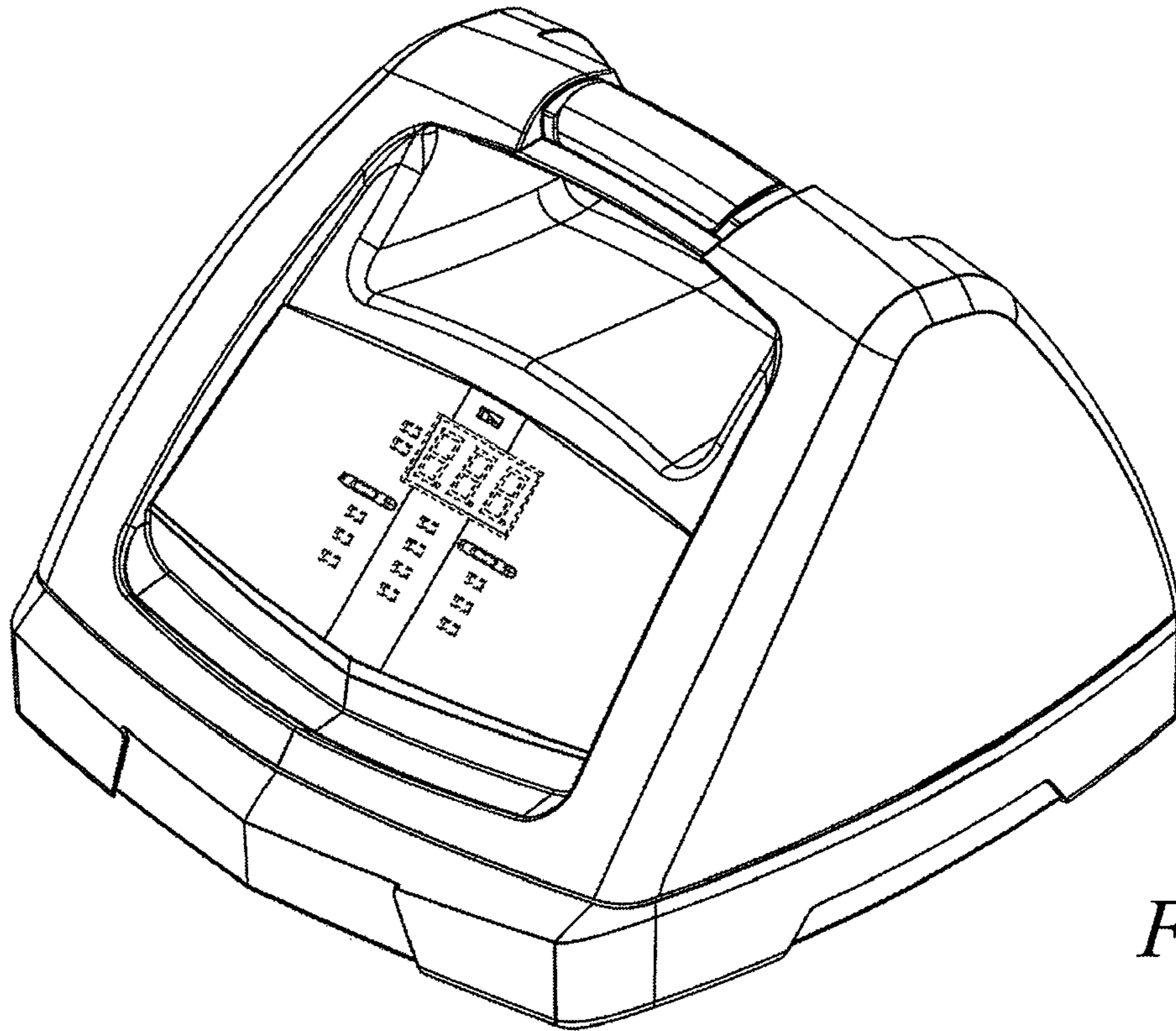


Fig. 1

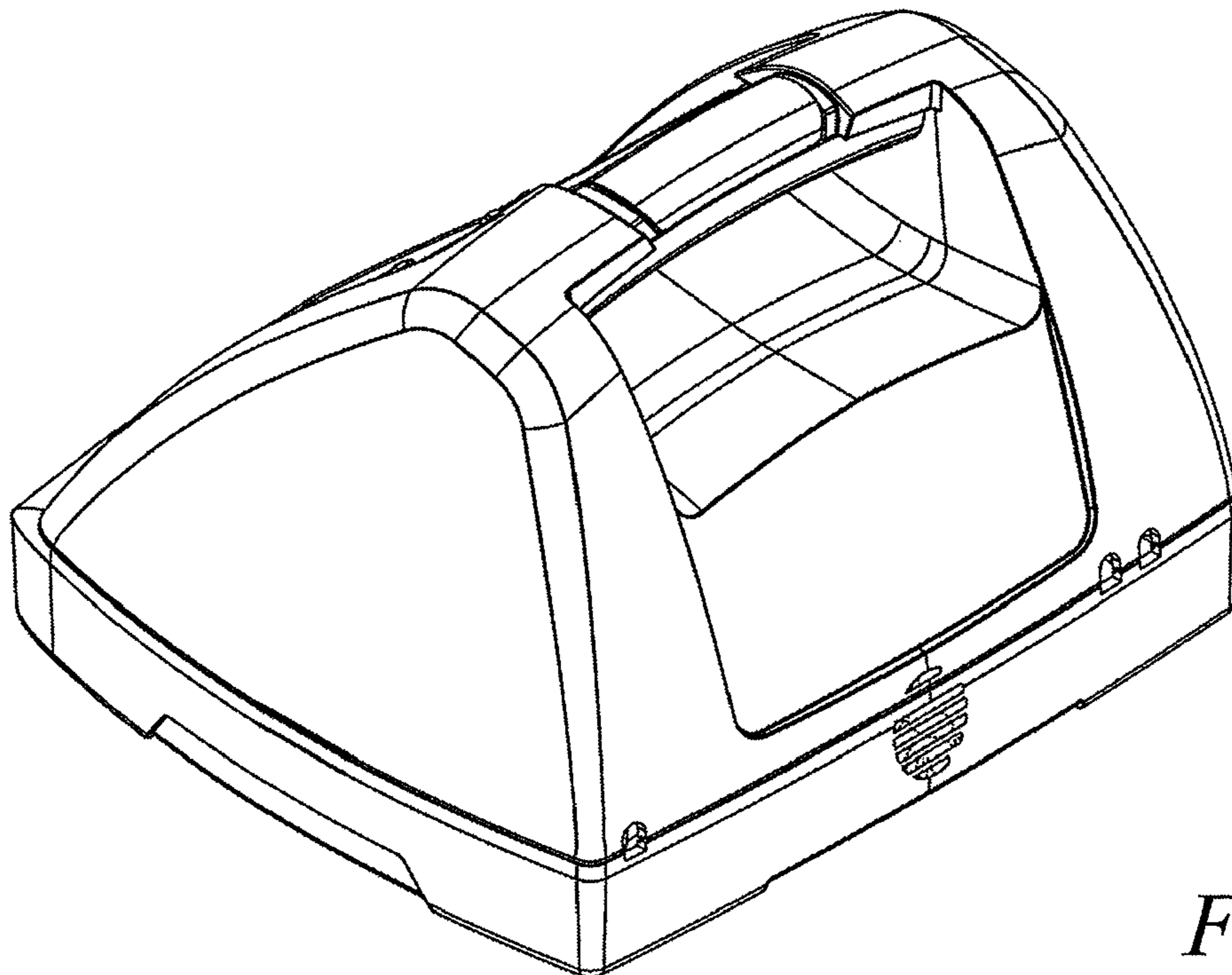


Fig. 2

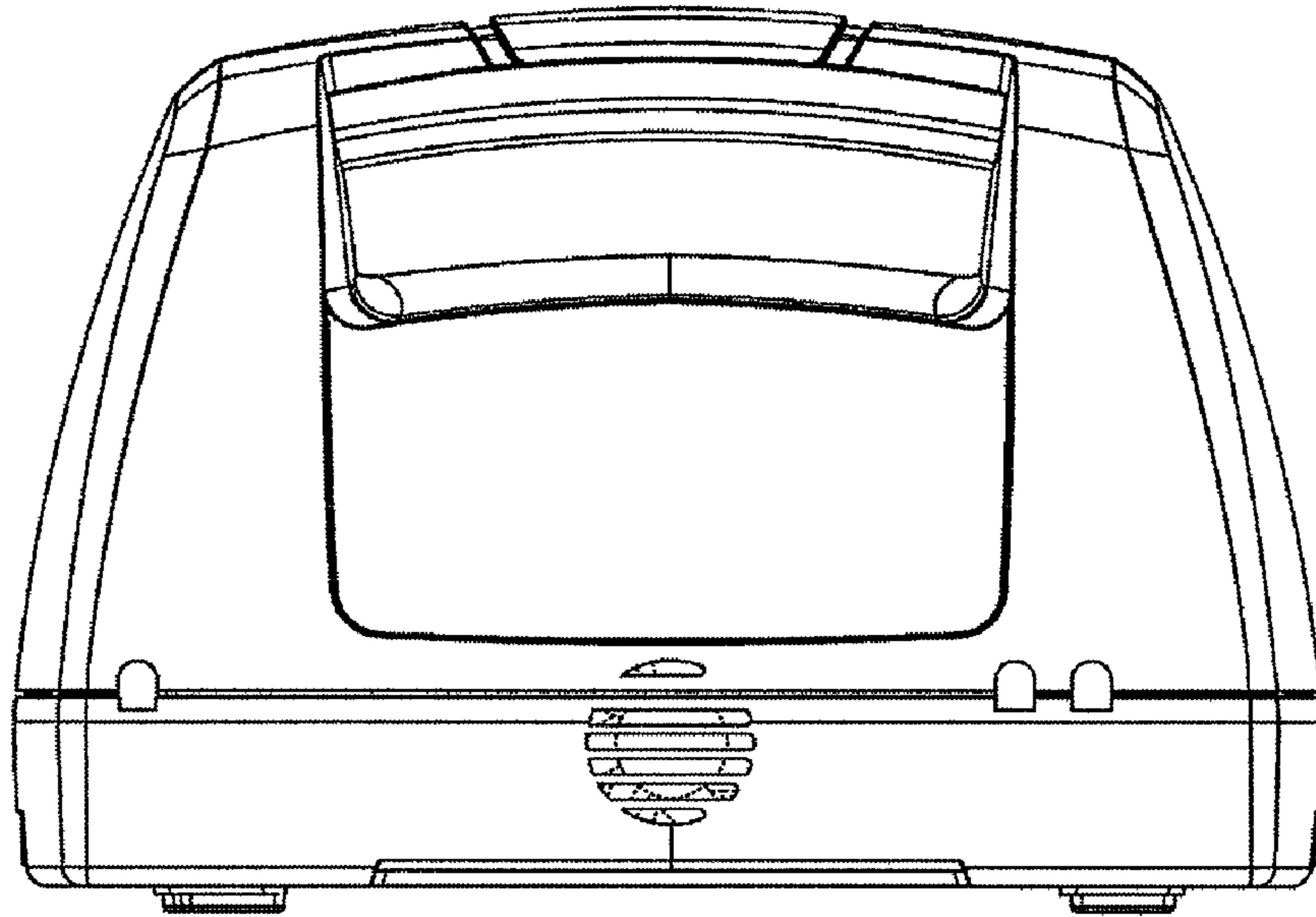


Fig. 3

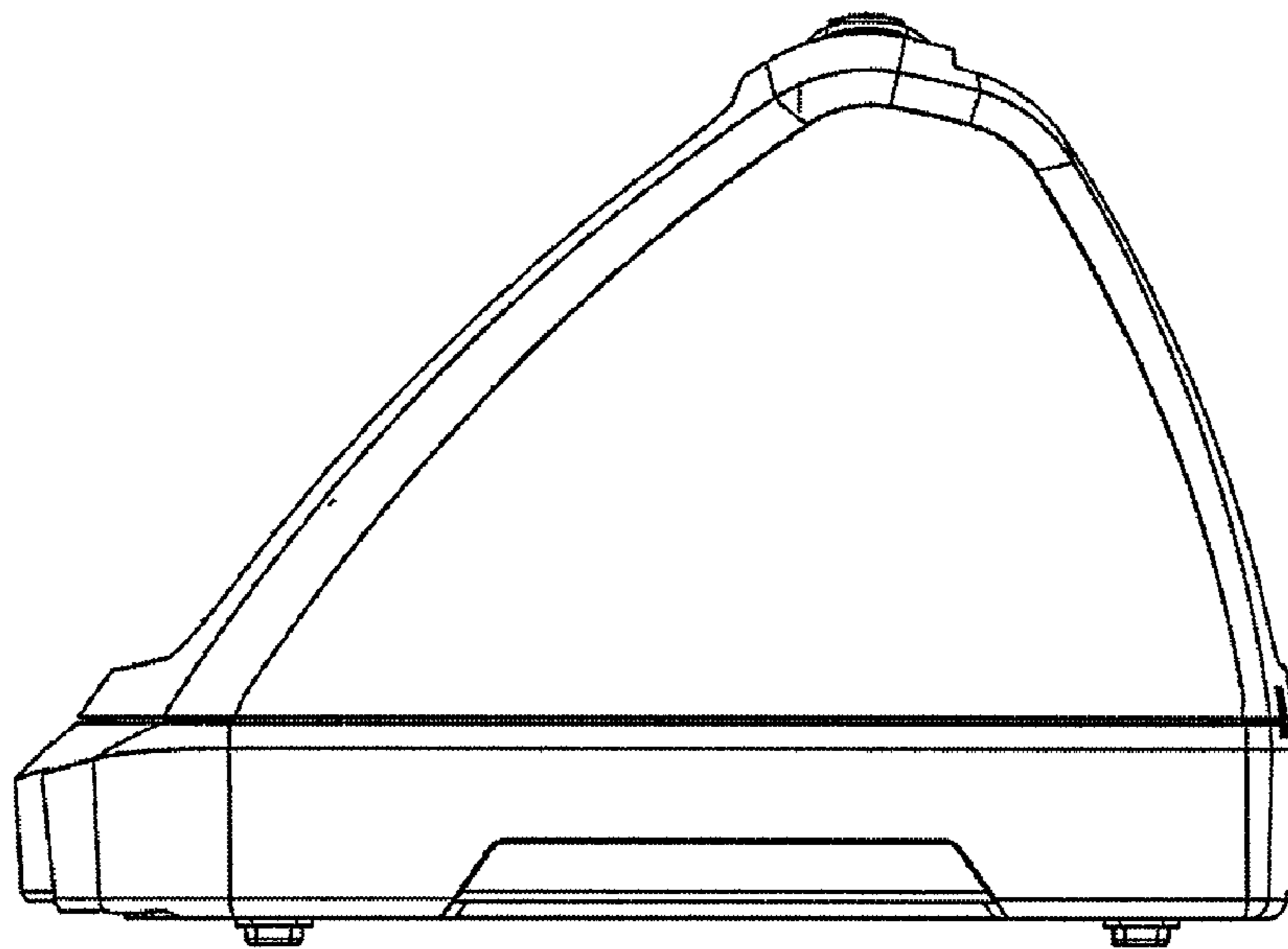


Fig. 4

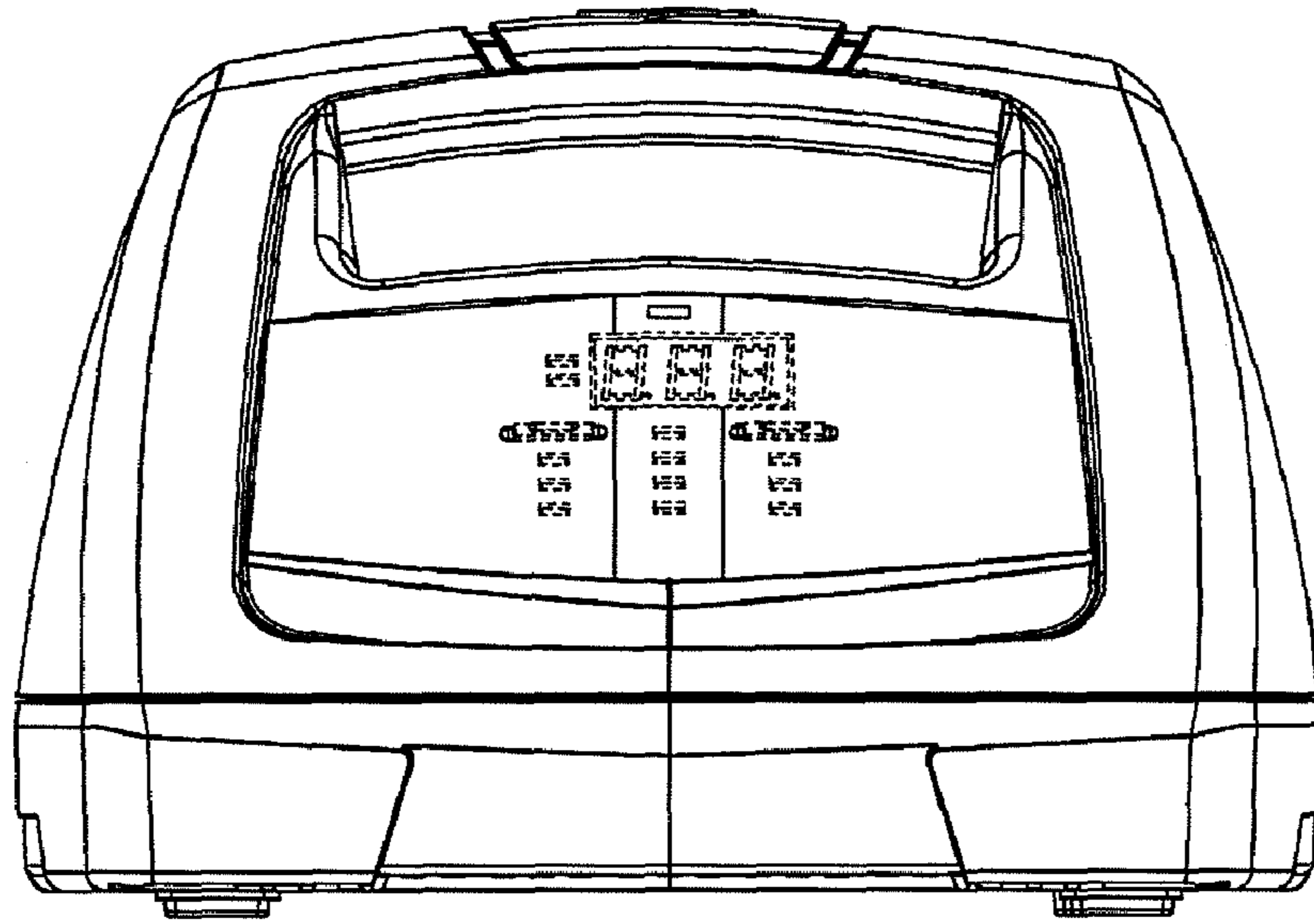


Fig. 5

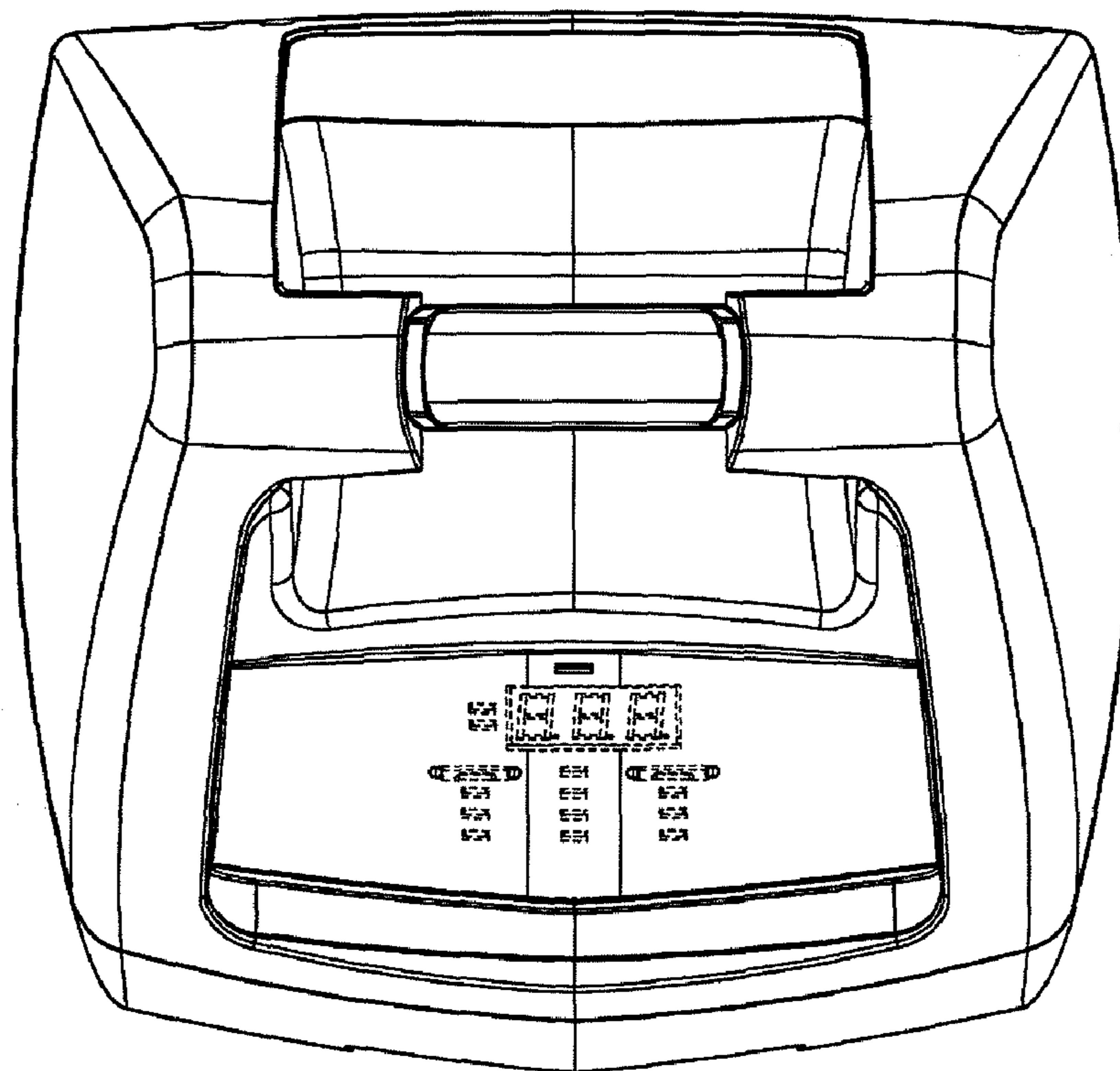


Fig. 6

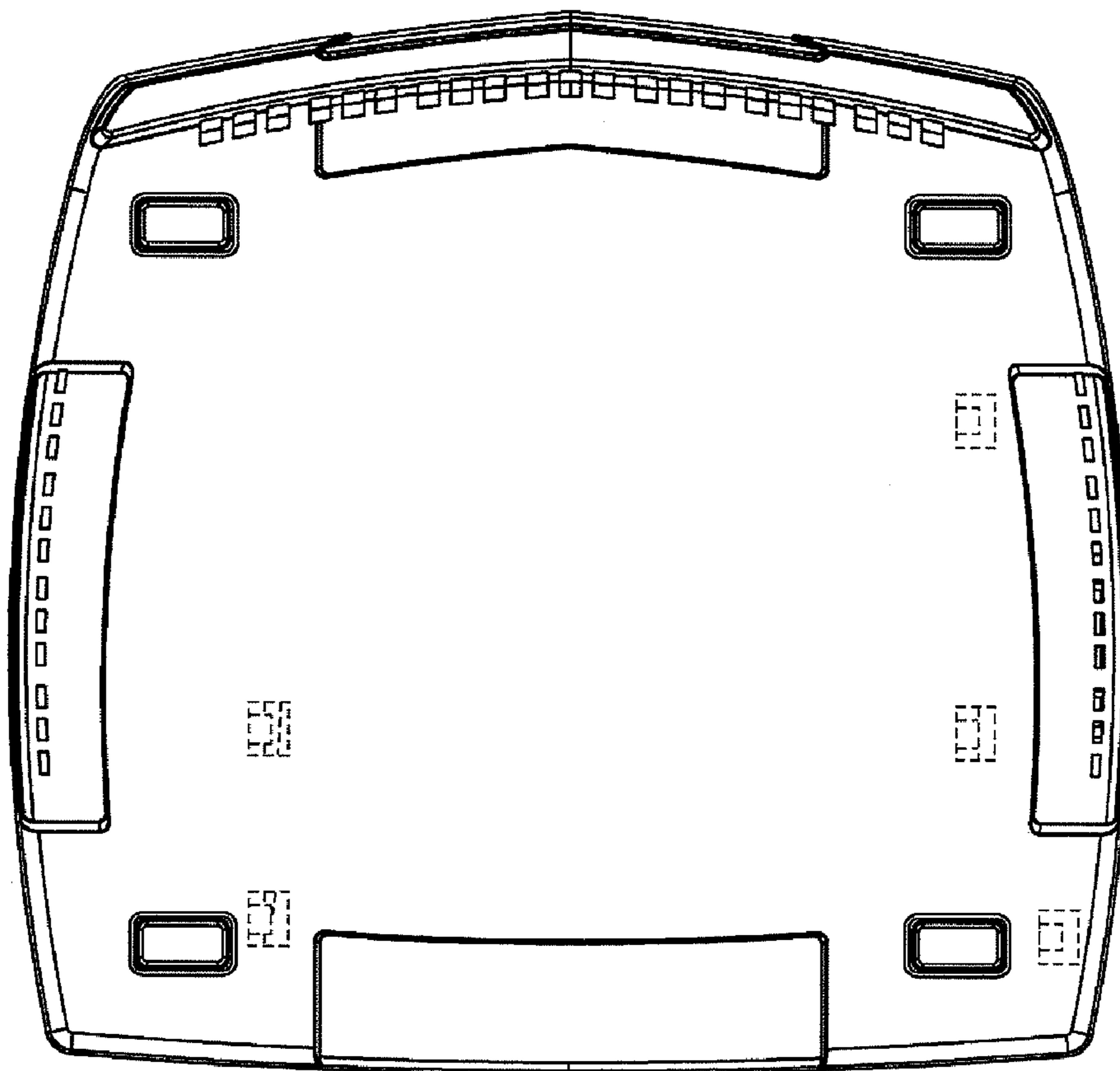


Fig. 7