



US00D635087S

(12) **United States Design Patent**
Flaherty et al.

(10) **Patent No.:** **US D635,087 S**
(45) **Date of Patent:** **** Mar. 29, 2011**

- (54) **BICYCLE CARRIER RACK**
- (75) Inventors: **Joseph Flaherty**, Prospect, CT (US);
Joe Settelmayer, McKinleyville, CA (US)
- (73) Assignee: **Thule Sweden AB**, Hillerstorp (SE)
- (**) Term: **14 Years**
- (21) Appl. No.: **29/369,256**
- (22) Filed: **Sep. 3, 2010**

Primary Examiner — Philip S Hyder
Assistant Examiner — Linda G. Brooks
 (74) *Attorney, Agent, or Firm* — Novak Druce + Quigg LLP

(57) **CLAIM**
 We claim the ornamental design for a bicycle carrier rack, as shown and described.

DESCRIPTION

- Related U.S. Application Data**
- (62) Division of application No. 29/342,763, filed on Aug. 31, 2009, now Pat. No. Des. 625,247.
 - (51) **LOC (9) Cl.** **12-11**
 - (52) **U.S. Cl.** **D12/408**
 - (58) **Field of Classification Search** D12/406-408;
 224/42.11, 515, 545, 519, 495, 502, 505,
 224/506, 522, 533-537, 548, 552, 553, 567,
 224/572, 324, 935, 421, 425-427, 496, 497,
 224/499, 490-493, 924; 280/288.4
 See application file for complete search history.

FIG. 1 is a perspective view of a bicycle carrier rack;
 FIG. 2 is a right side elevational view of a bicycle carrier rack;
 FIG. 3 is a left side elevational view thereof;
 FIG. 4 is a top plan view thereof;
 FIG. 5 is a bottom plan view thereof;
 FIG. 6 is a front elevational view thereof;
 FIG. 7 is a rear elevational view thereof;
 FIG. 8 is a right side elevational view of a second embodiment of a bicycle carrier rack;
 FIG. 9 is a left side elevational view thereof;
 FIG. 10 is a top plan view thereof;
 FIG. 11 is a bottom plan view thereof;
 FIG. 12 is a front elevational view thereof;
 FIG. 13 is a rear elevational view thereof;
 FIG. 14 is a right side elevational view of a third embodiment of a bicycle carrier rack;
 FIG. 15 is a left side elevational view thereof;
 FIG. 16 is a top plan view thereof;
 FIG. 17 is a bottom plan view thereof;
 FIG. 18 is a front elevational view thereof;
 FIG. 19 is a rear elevational view thereof;
 FIG. 20 is a right side elevational view of a fourth embodiment of a bicycle carrier rack;
 FIG. 21 is a left side elevational view thereof;
 FIG. 22 is a top plan view thereof;
 FIG. 23 is a bottom plan view thereof;
 FIG. 24 is a front elevational view thereof; and,
 FIG. 25 is rear elevational view thereof.
 Broken lines, including any boundary created thereby, are included for the purpose of illustrating environment, and do not form a part of the claimed design.

- (56) **References Cited**
- U.S. PATENT DOCUMENTS
- | | | |
|--------------|---------|-----------------|
| D294,564 S | 3/1988 | Stoecker |
| D308,846 S | 6/1990 | Eckhart |
| D337,087 S | 7/1993 | Peterman et al. |
| 5,259,542 A | 11/1993 | Newbold et al. |
| D378,289 S | 3/1997 | Lundgren |
| 5,775,555 A | 7/1998 | Bloemer et al. |
| 6,004,064 A | 12/1999 | Franz |
| 6,047,869 A | 4/2000 | Chiu |
| D447,997 S | 9/2001 | Ferman et al. |
| 6,286,738 B1 | 9/2001 | Robins et al. |
| 6,286,783 B1 | 9/2001 | Kuenkler |
| 6,616,023 B1 | 9/2003 | Dahl et al. |

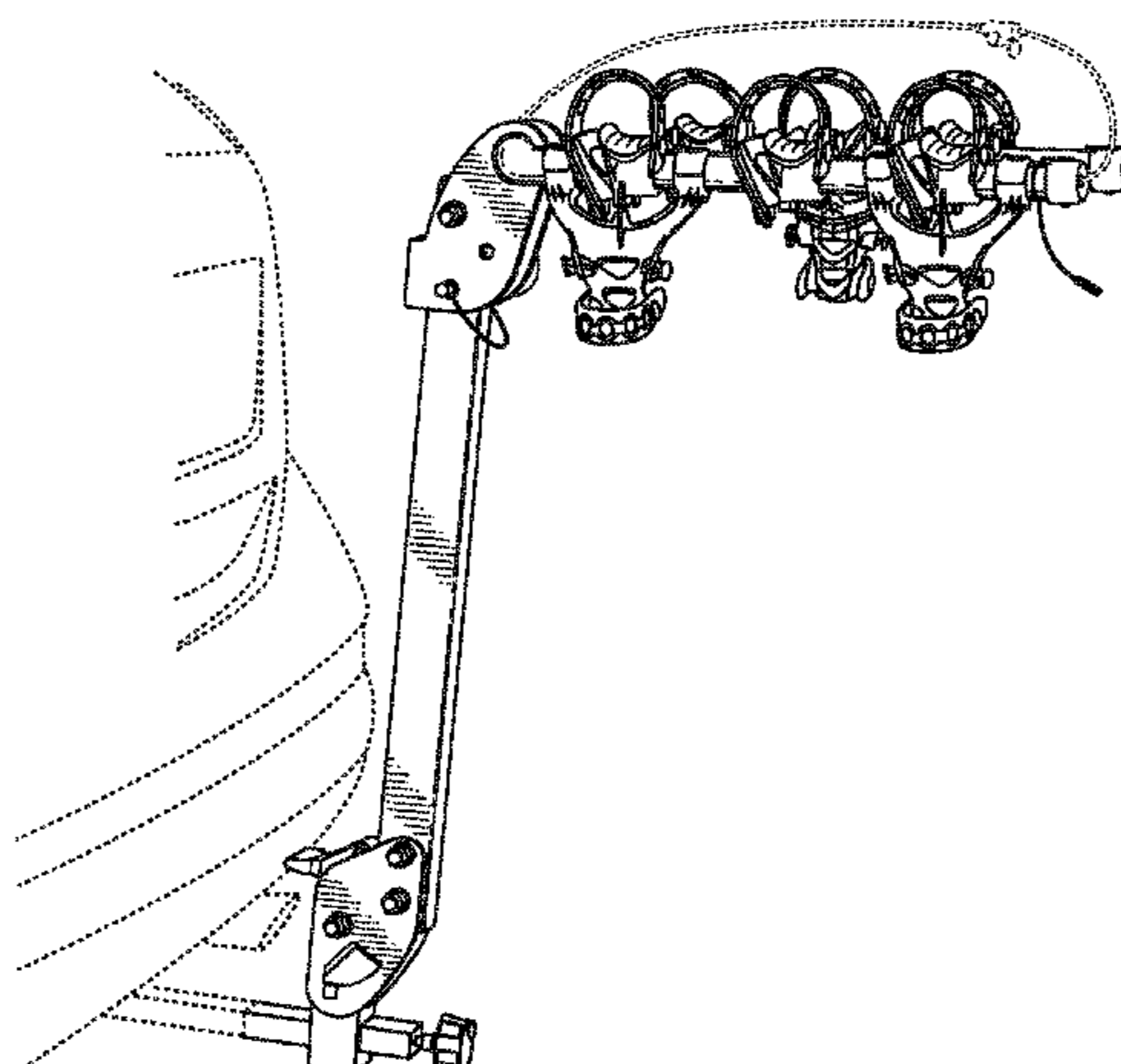
(Continued)

OTHER PUBLICATIONS

"Bike Rack/Hitch; <http://www.autoanything.com/bike-racks/69A4004AOAO.aspx>", [online] retrieved from the Internet on Aug. 3, 2009 .

(Continued)

1 Claim, 25 Drawing Sheets



U.S. PATENT DOCUMENTS

6,644,525 B1 11/2003 Allen et al.
6,988,645 B1 1/2006 Nusbaum et al.
7,000,814 B2 2/2006 Wang
7,055,725 B1 6/2006 Kolda
7,213,731 B1 5/2007 Kolda
7,261,228 B2 8/2007 Prescott et al.
D602,420 S 10/2009 Kuschmeader et al.
7,597,222 B2 10/2009 Bishop et al.
D612,320 S 3/2010 Flaherty et al.
D614,562 S 4/2010 Flaherty et al.
D614,563 S 4/2010 Flaherty et al.
2002/0043384 A1 4/2002 Thompson
2004/0200246 A1 10/2004 Witchey
2006/0153635 A1 7/2006 Underwood
2007/0057001 A1 3/2007 Wang
2008/0093404 A1 4/2008 Clauson et al.
2009/0120986 A1 5/2009 Sautter et al.

OTHER PUBLICATIONS

“Bike Rack/Hitch; http://www.cache.autoanything.com/images/products/med/bike_ski_racks/allen_bike_racks_09_532RR.jpg”, [online] retrieved from the Internet Aug. 3, 2009 .
“Bike Rack/Hitch; <http://www.etrailer.com/p-59400.htm>”, [online] retrieved from the Internet on Aug. 3, 2009.
“Bike Rack/Hitch; <http://www.mcguickin.com/images18440587.jpg>”, [online] retrieved from Internet on Aug. 3, 2009.
“Bike Rack/Hitch; <http://www.prohoists.com/Products/photos/381.jpg>”, [online] retrieved from the Internet on Aug. 3, 2009.
“bike Rack/Hitch; <http://www.suspensionconnection.com/cgi-bin/suscon/3010-bike-rack.html>”, [online] retrieved from Internet on Aug. 3, 2009.
Notice of Allowance in corresponding U.S. Appl. No. 29/342,763, dated Jun. 15, 2010.
Non-Final Office Action Restriction Requirement dated, May 10, 2010. In corresponding U.S. Appl. No. 29/342,763.

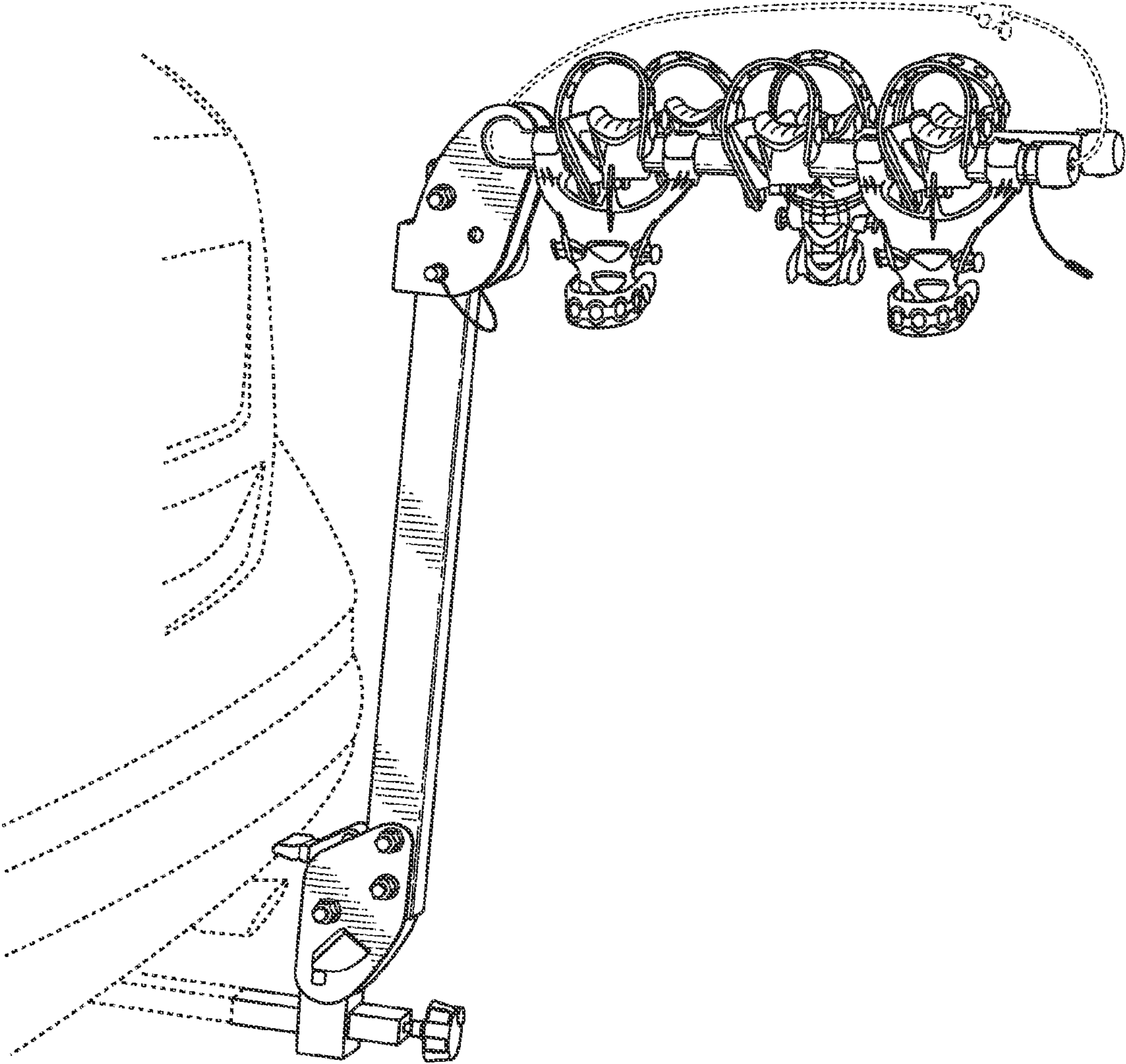


FIG. 1

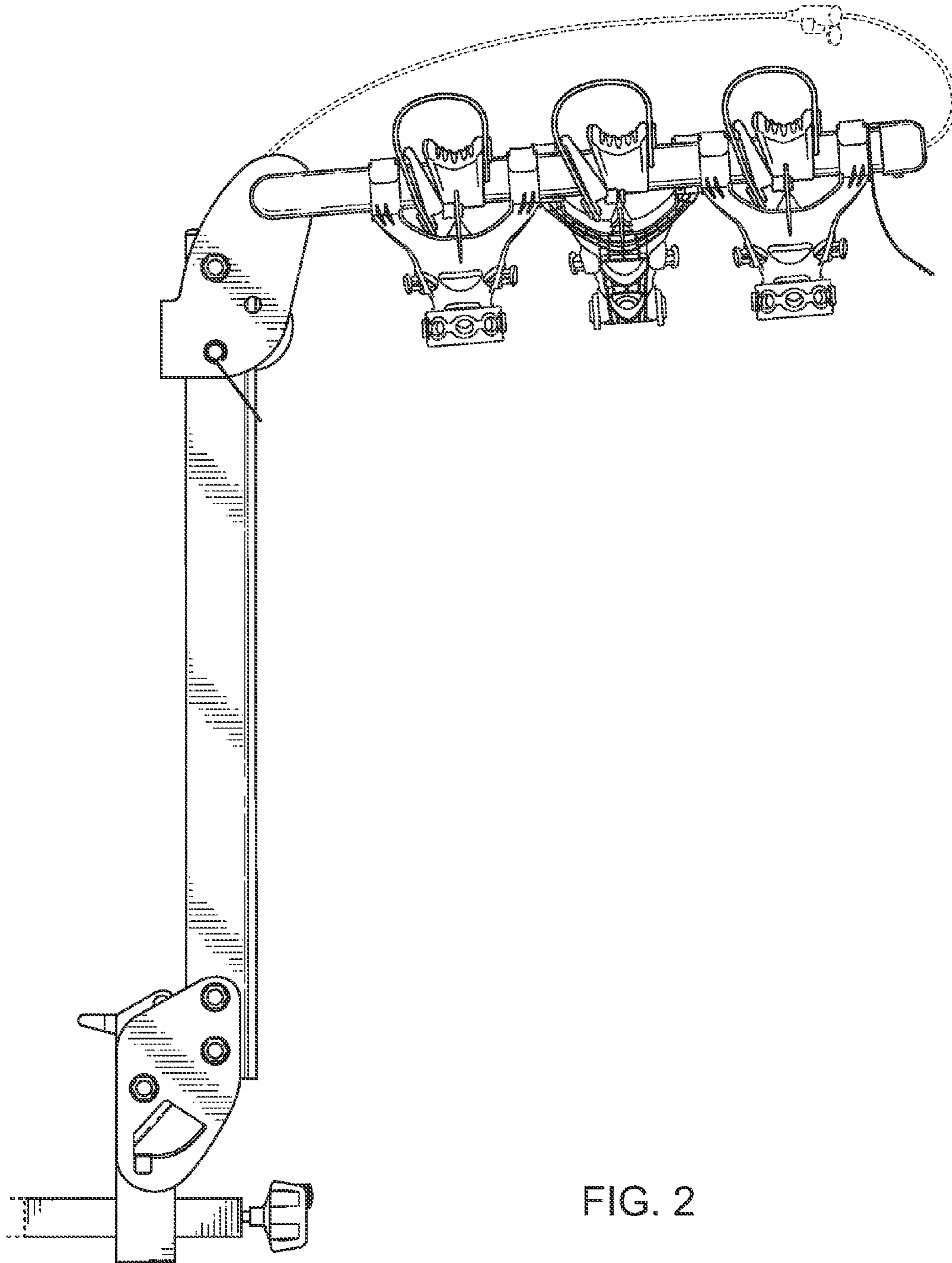


FIG. 2

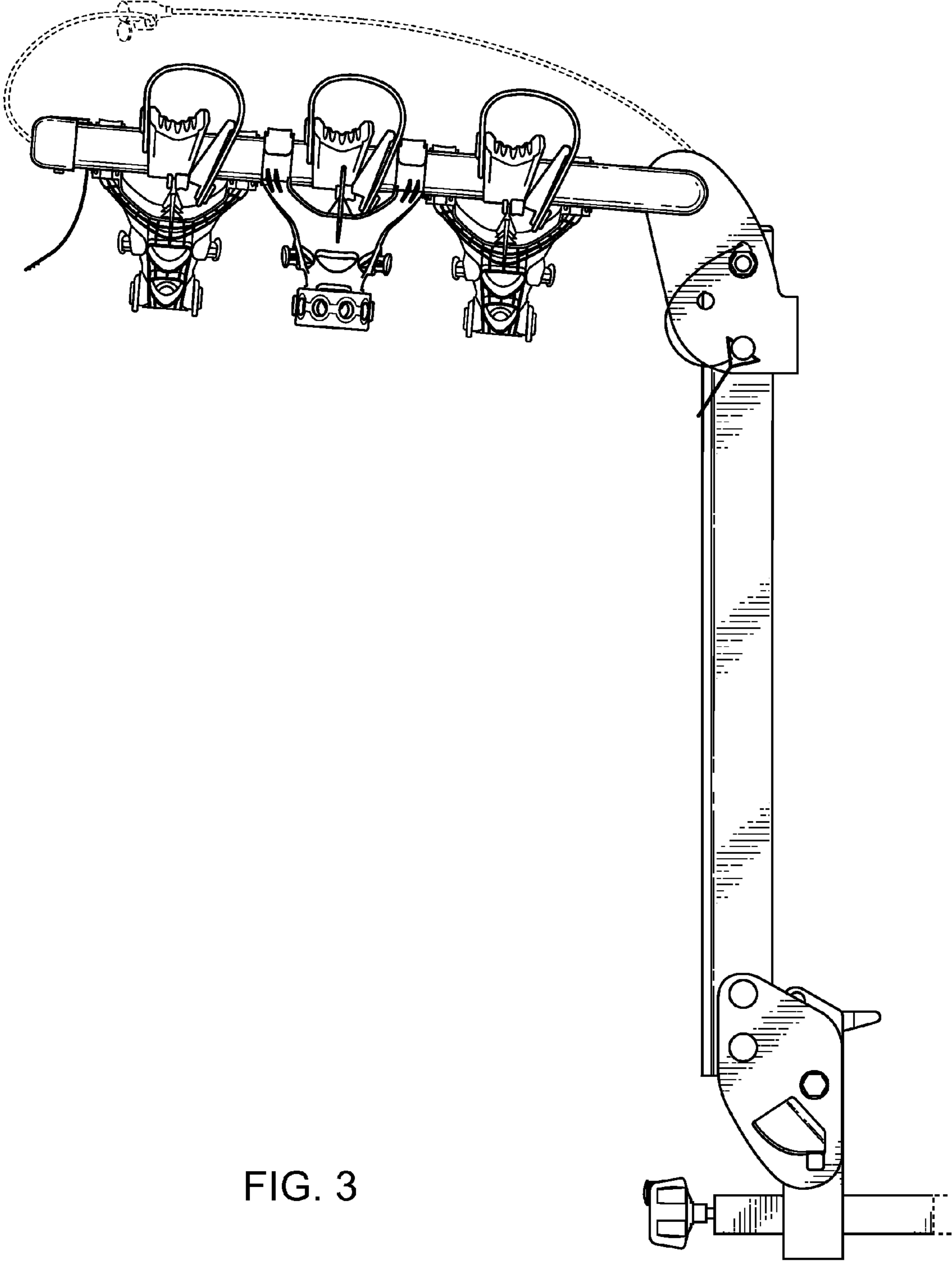


FIG. 3

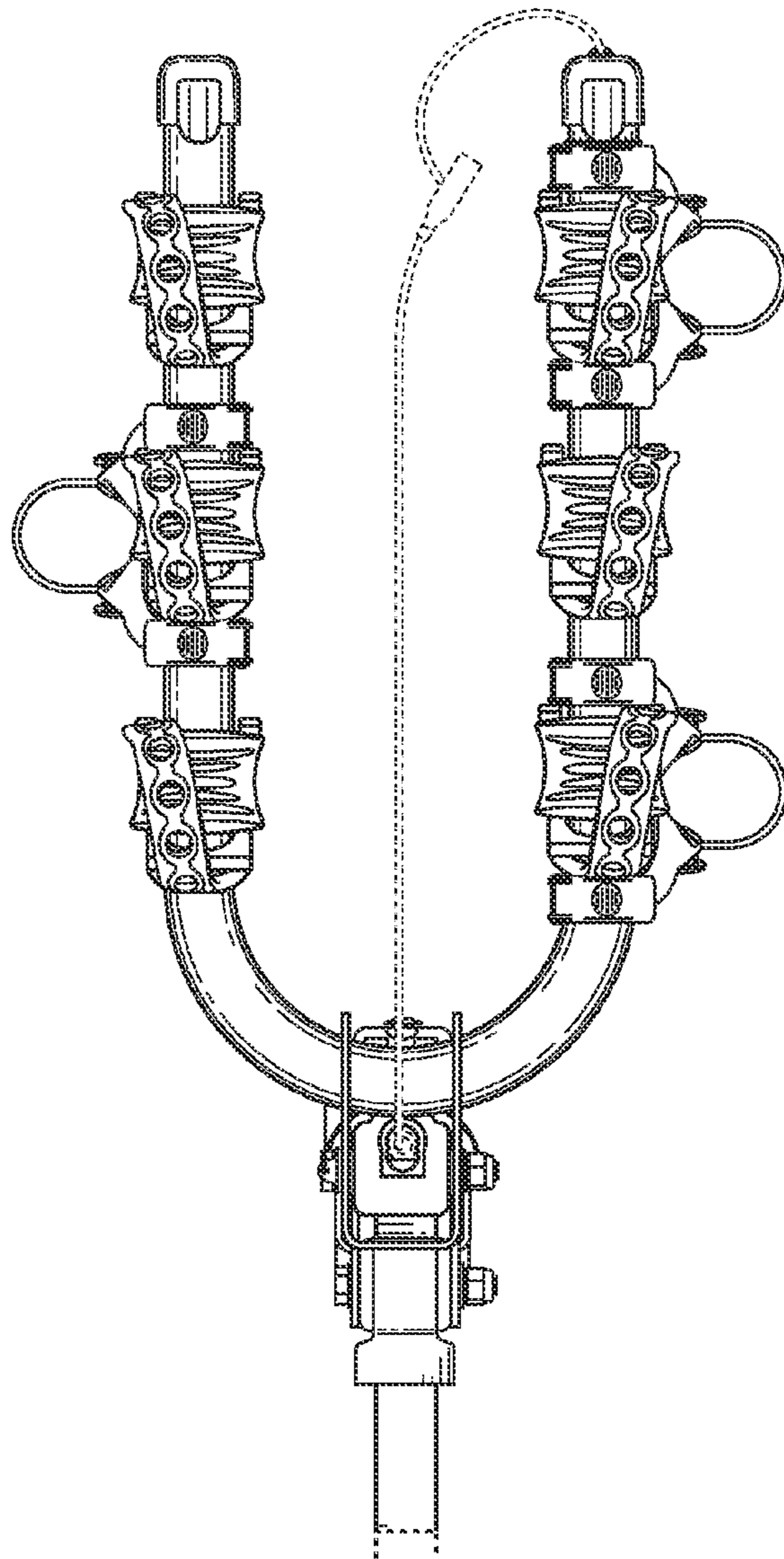


FIG. 4

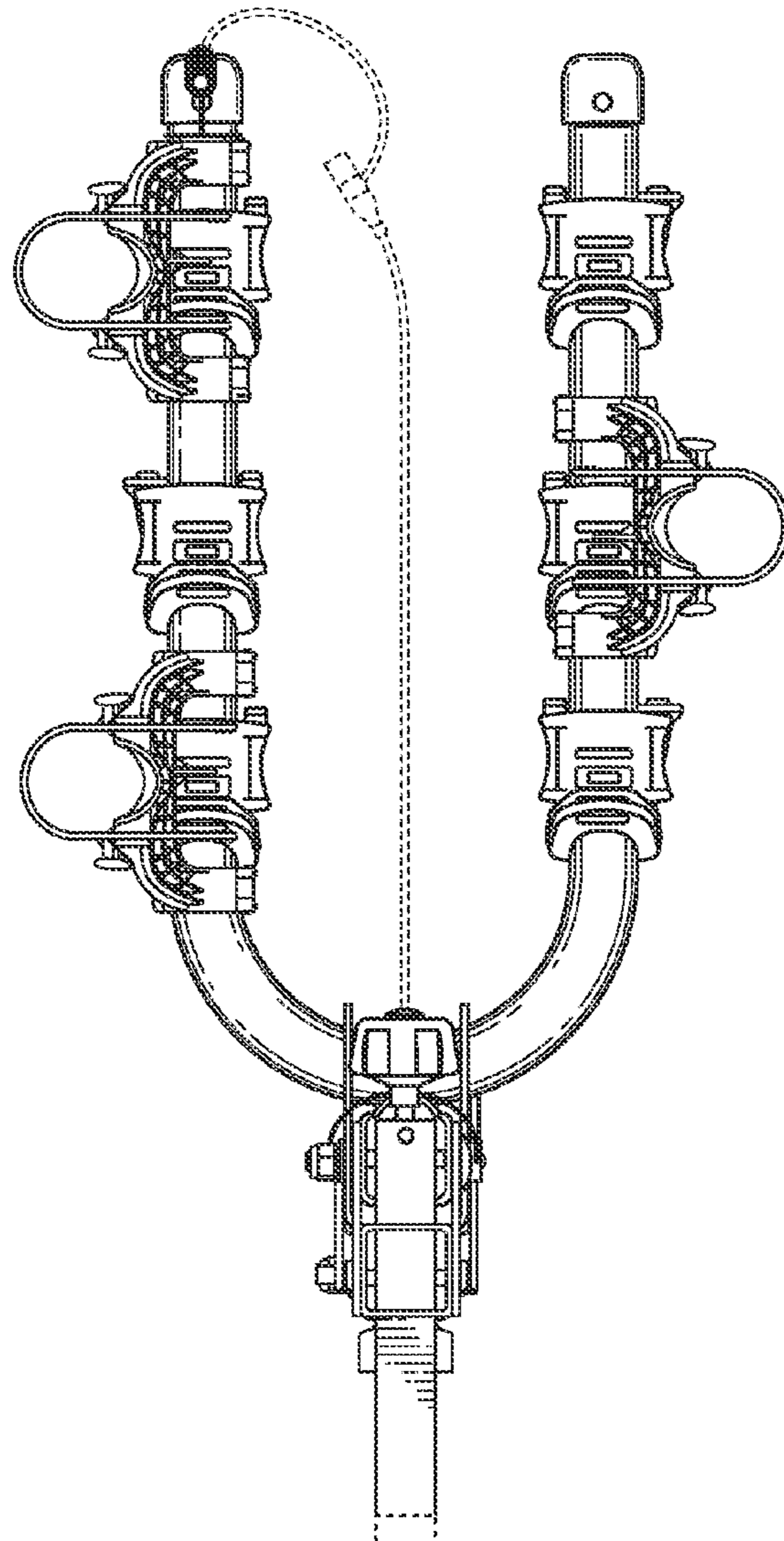


FIG. 5

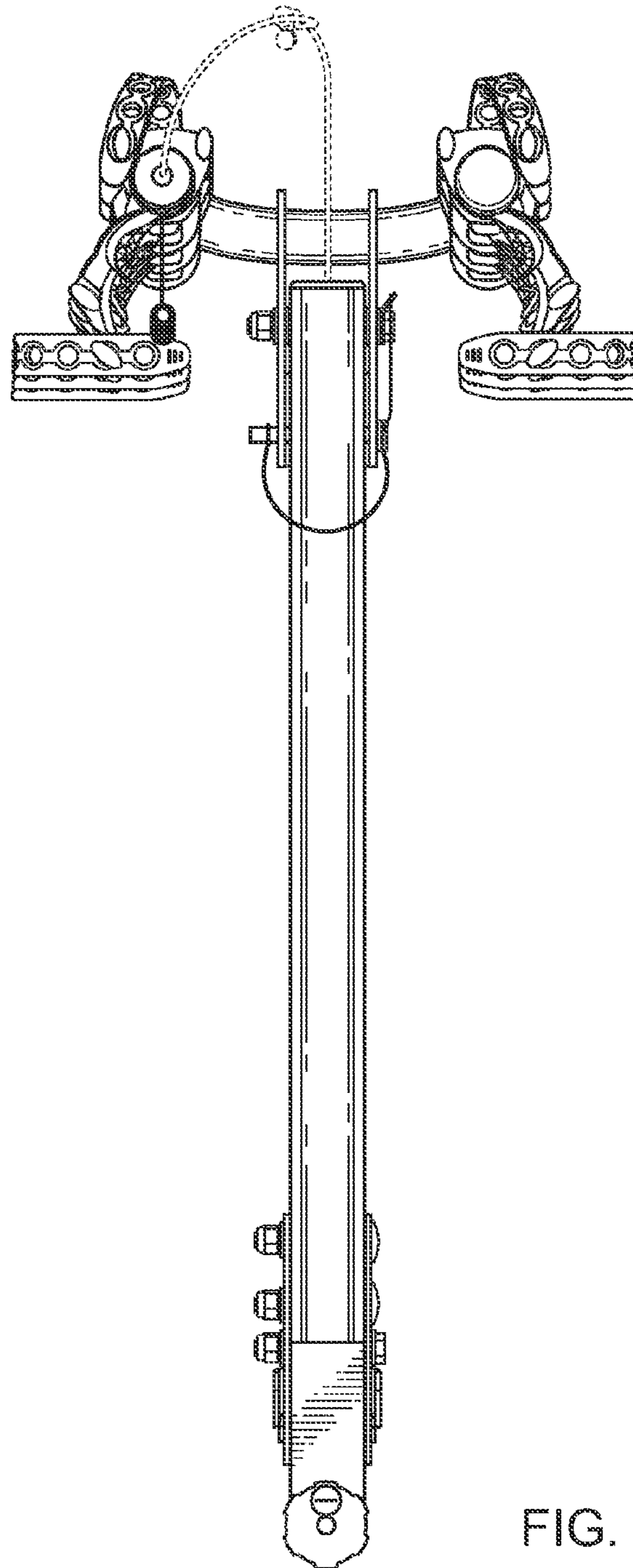


FIG. 6

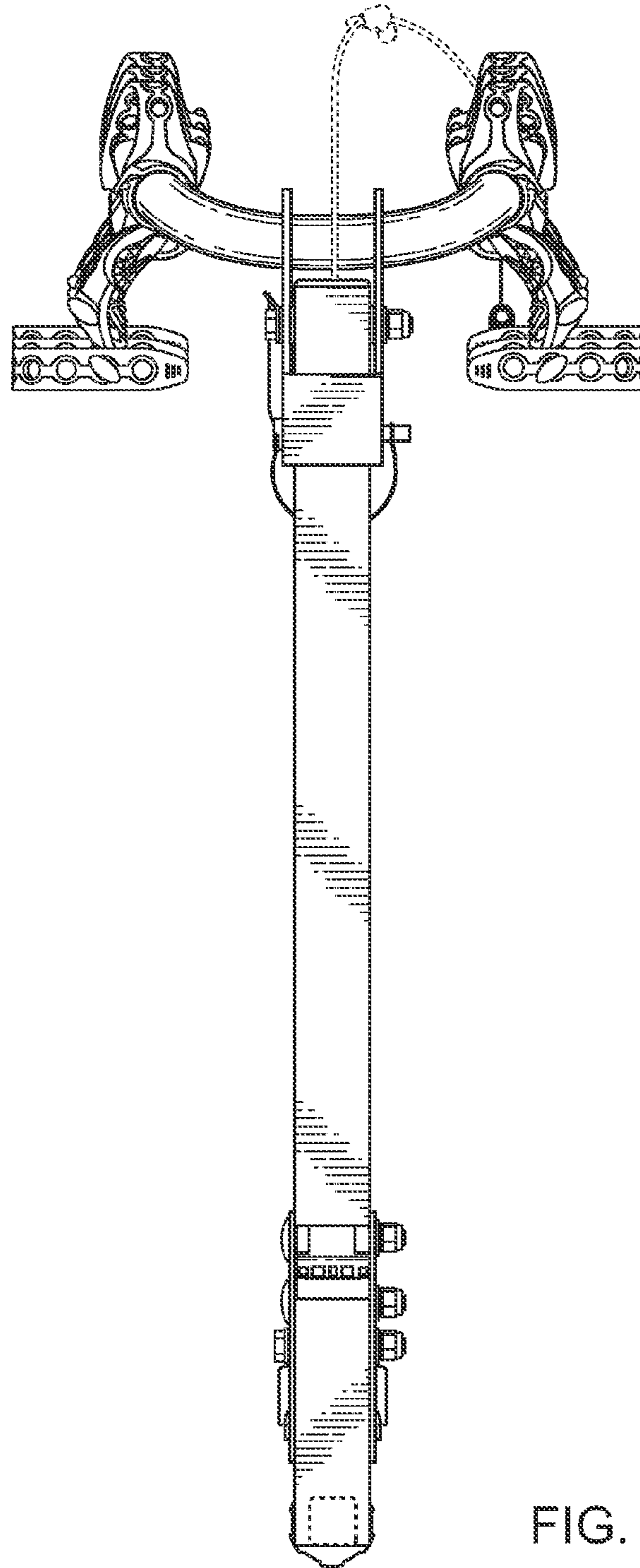


FIG. 7

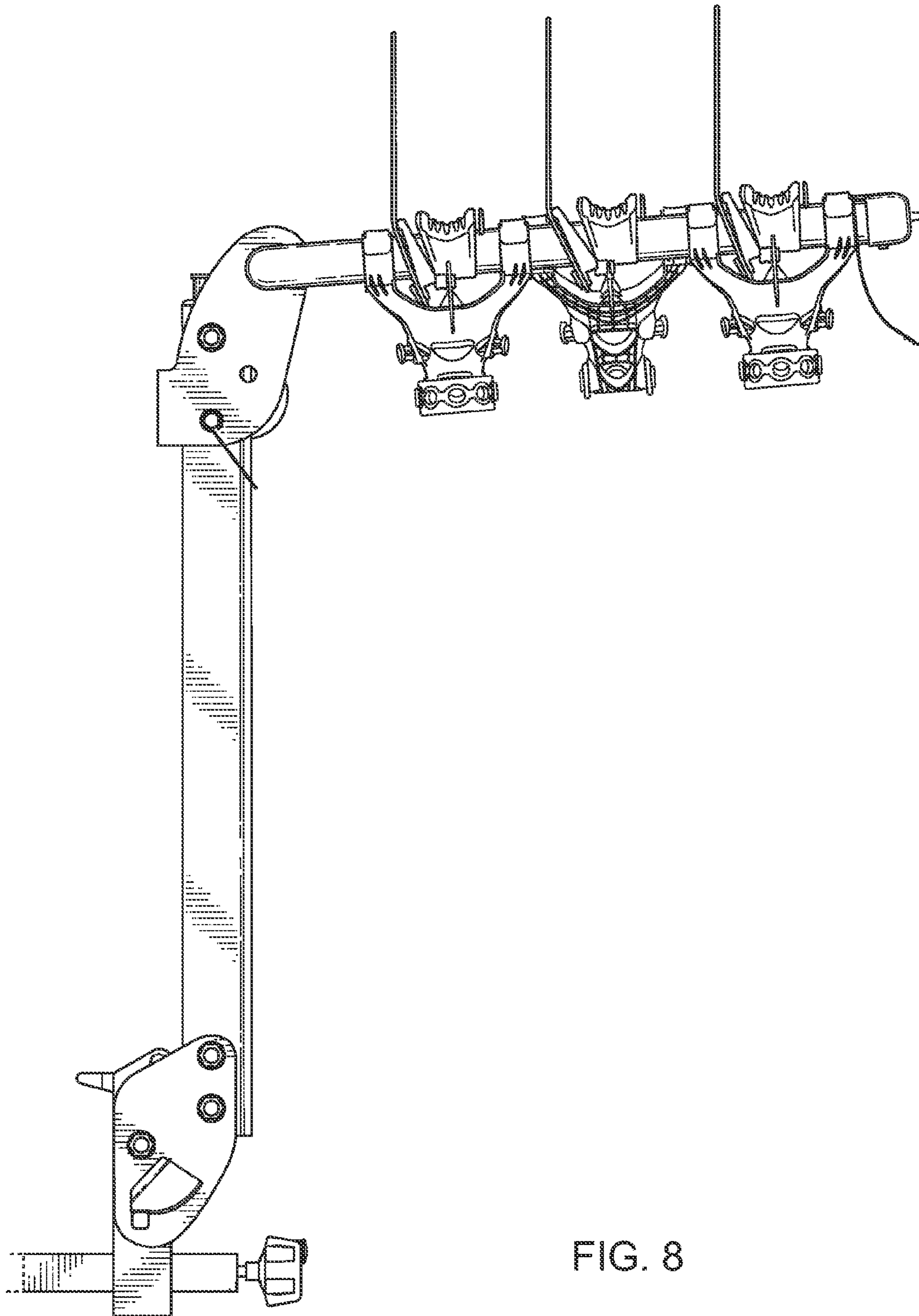


FIG. 8

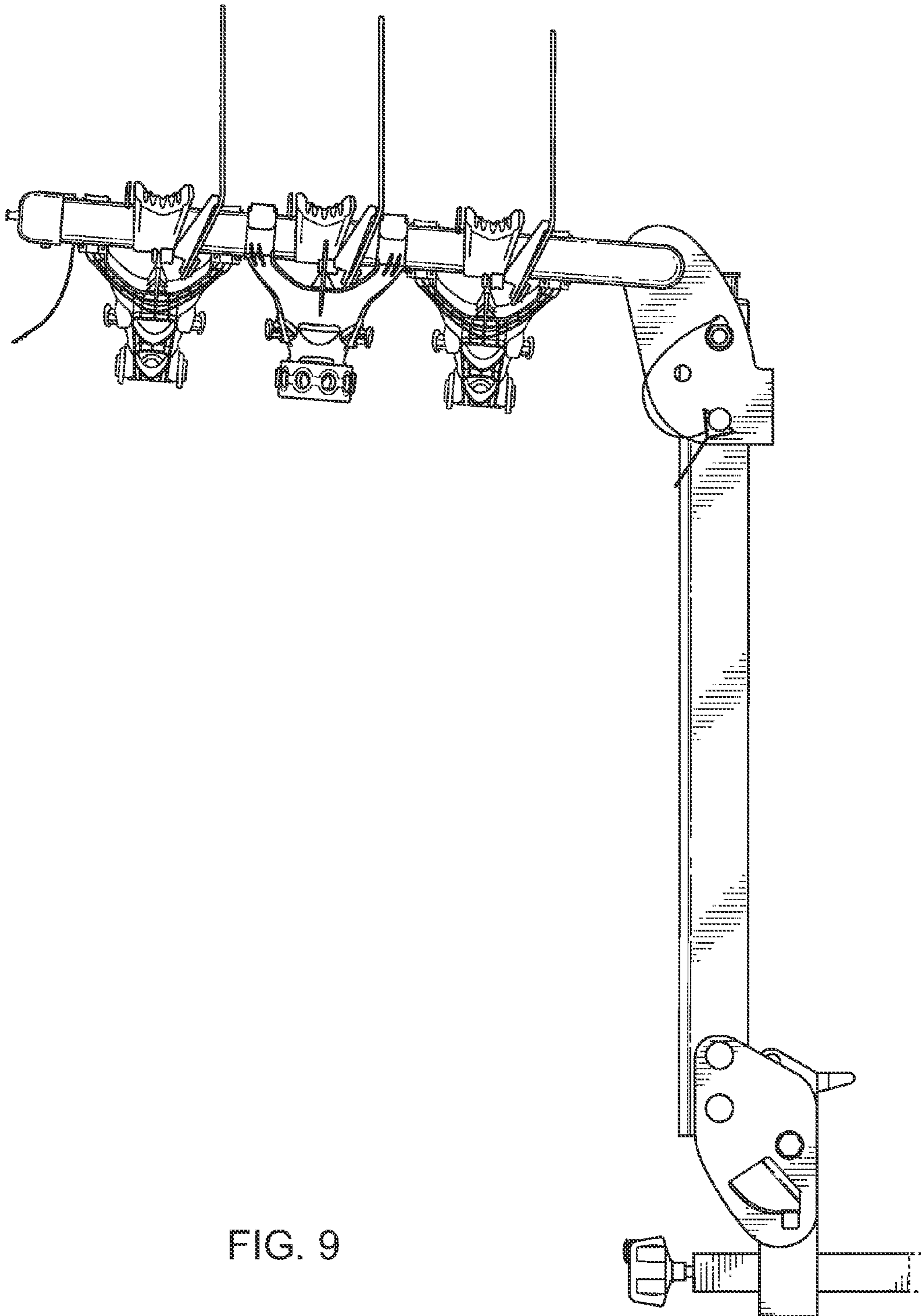


FIG. 9

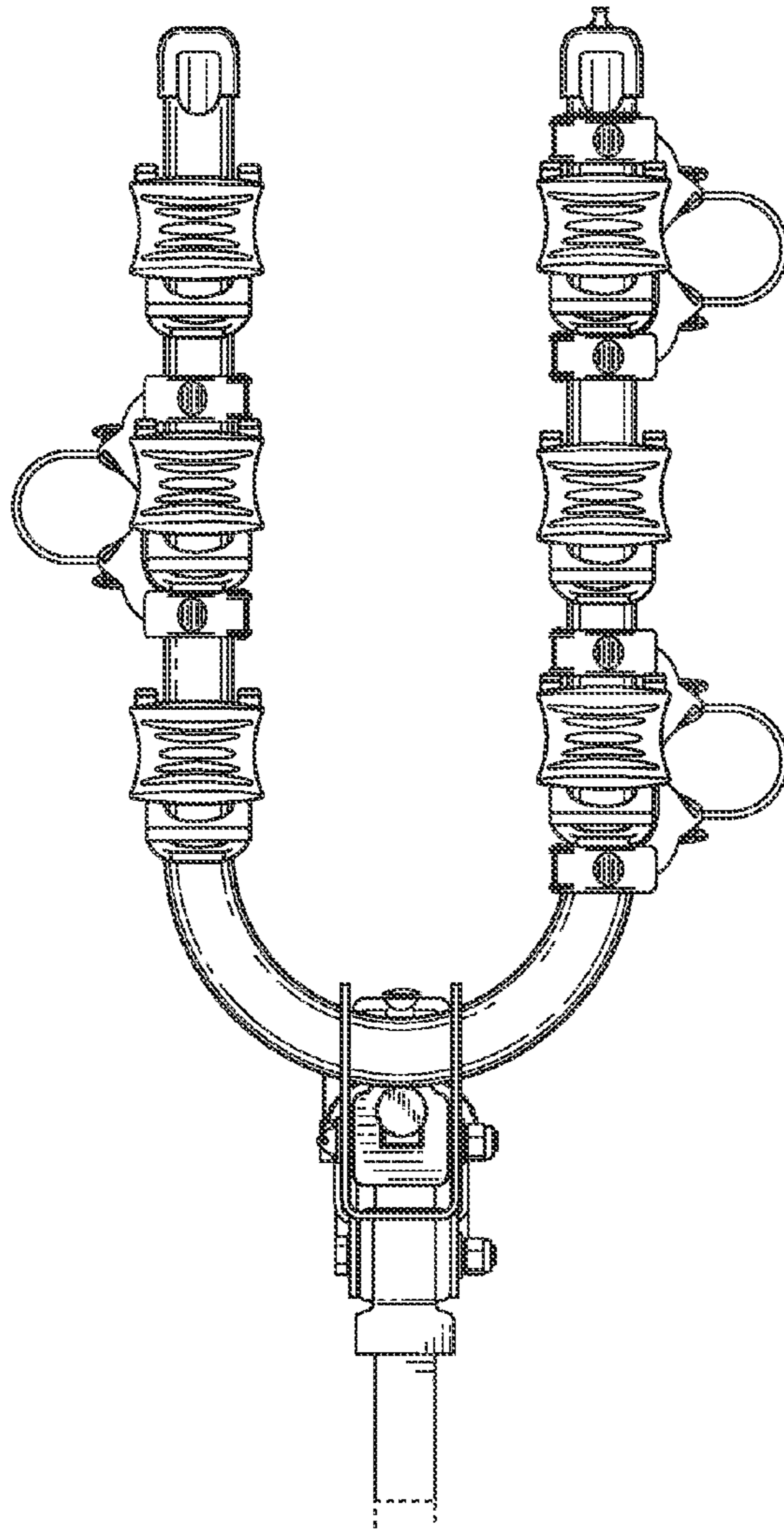


FIG. 10

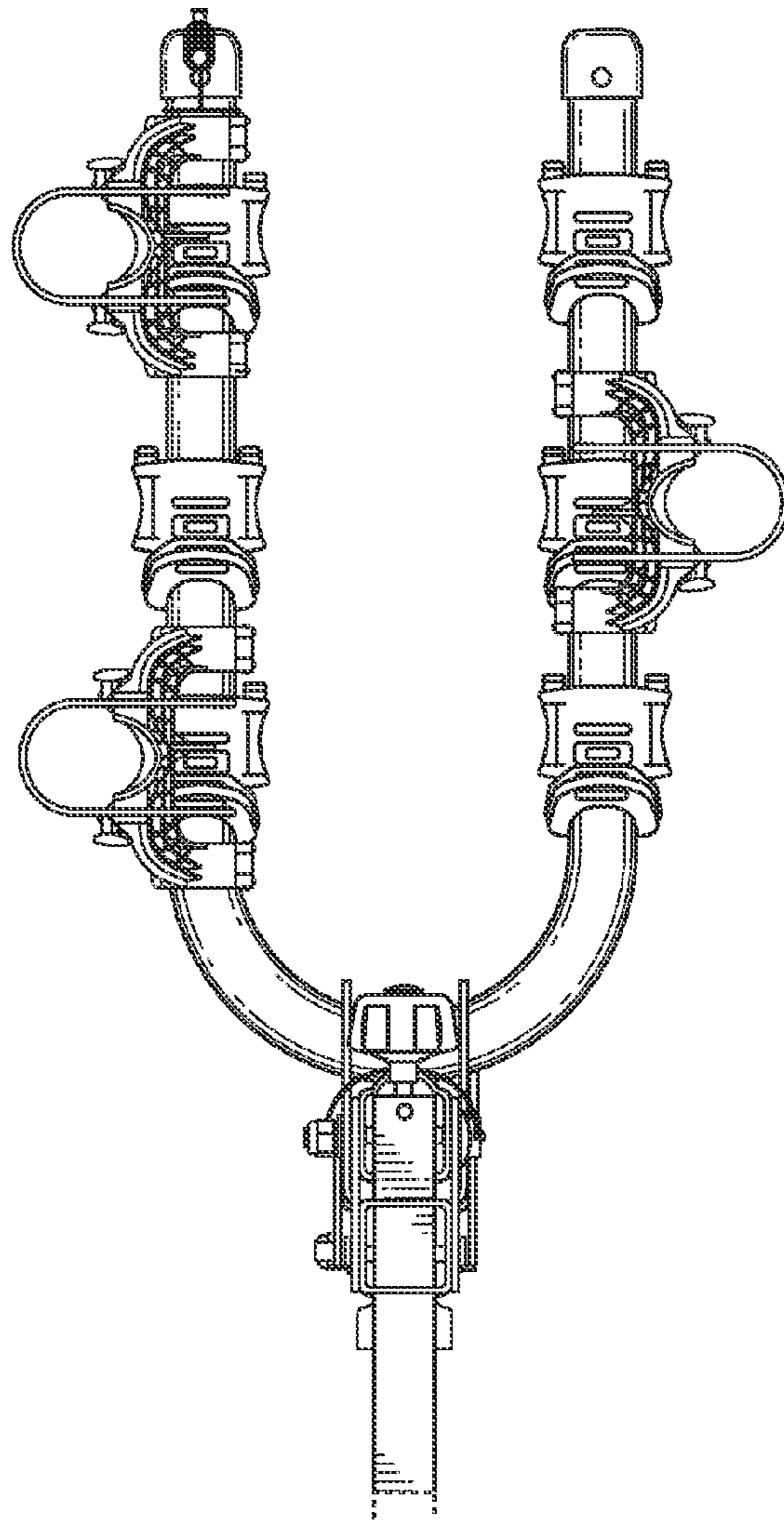


FIG. 11

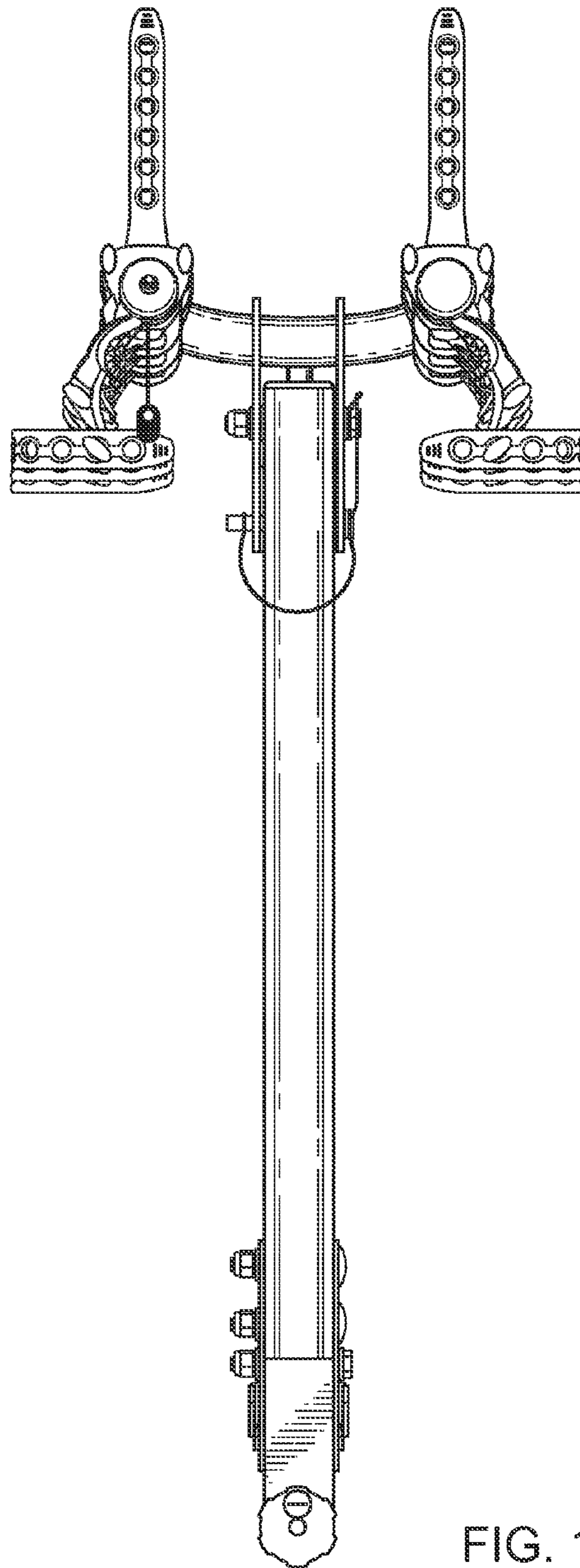


FIG. 12

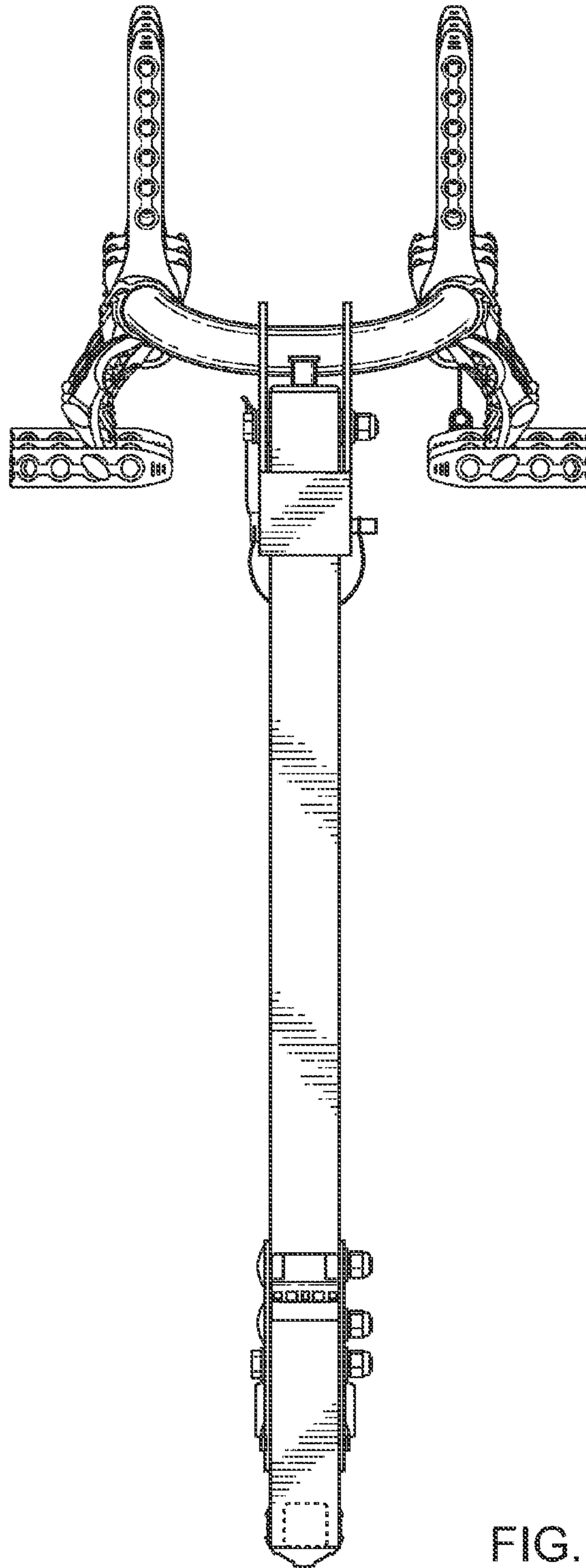


FIG. 13

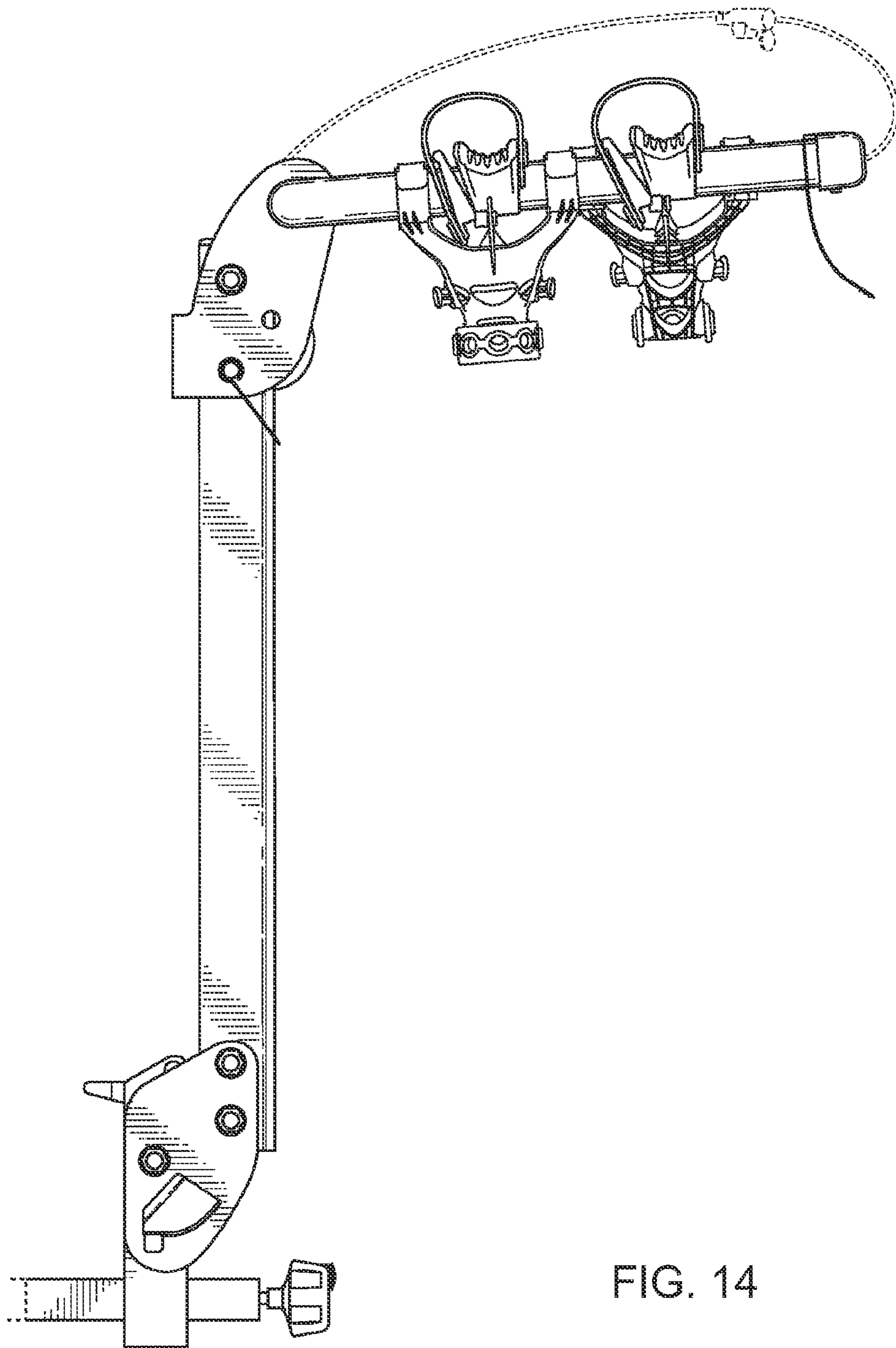


FIG. 14

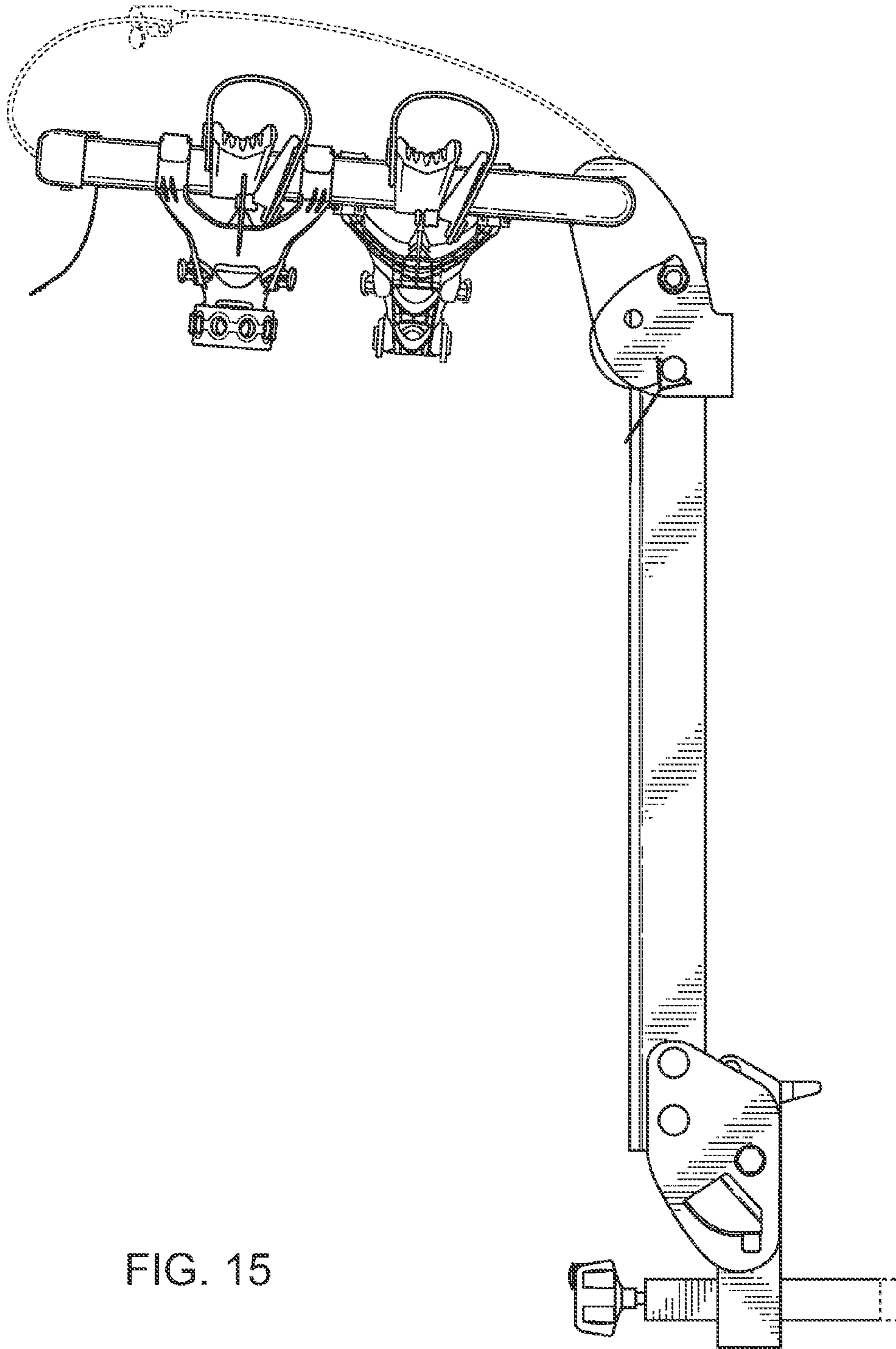


FIG. 15

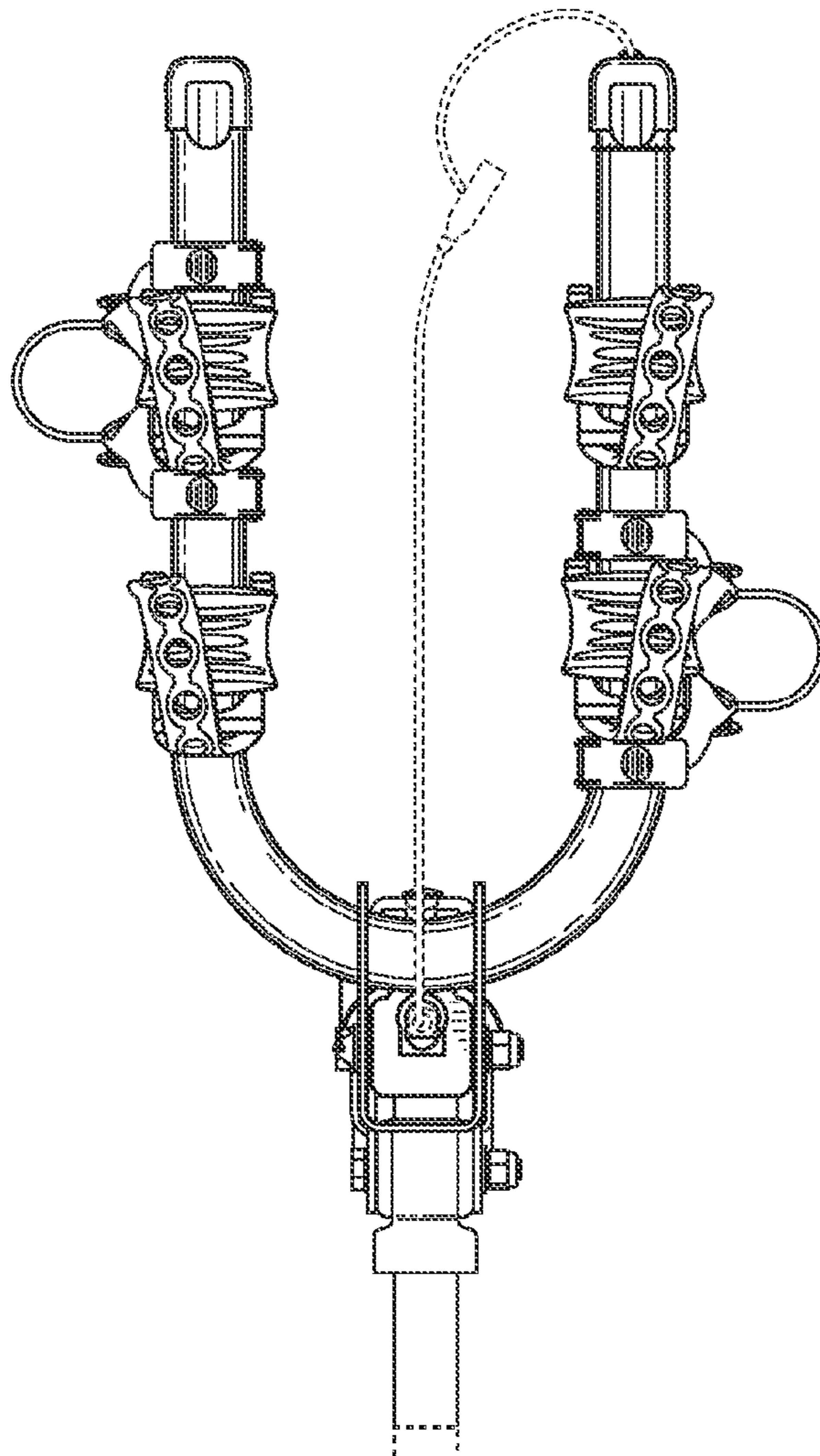


FIG. 16

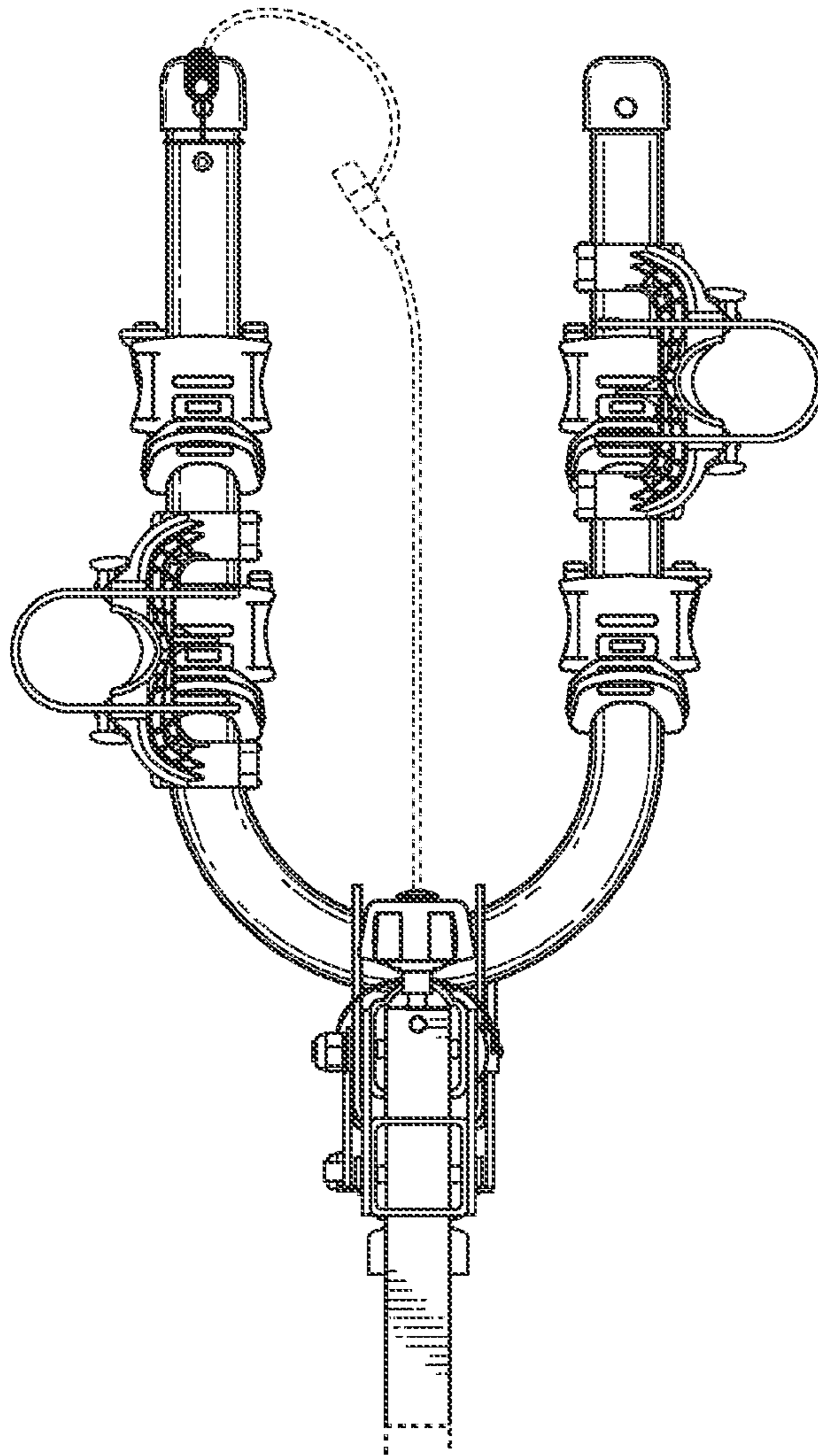


FIG. 17

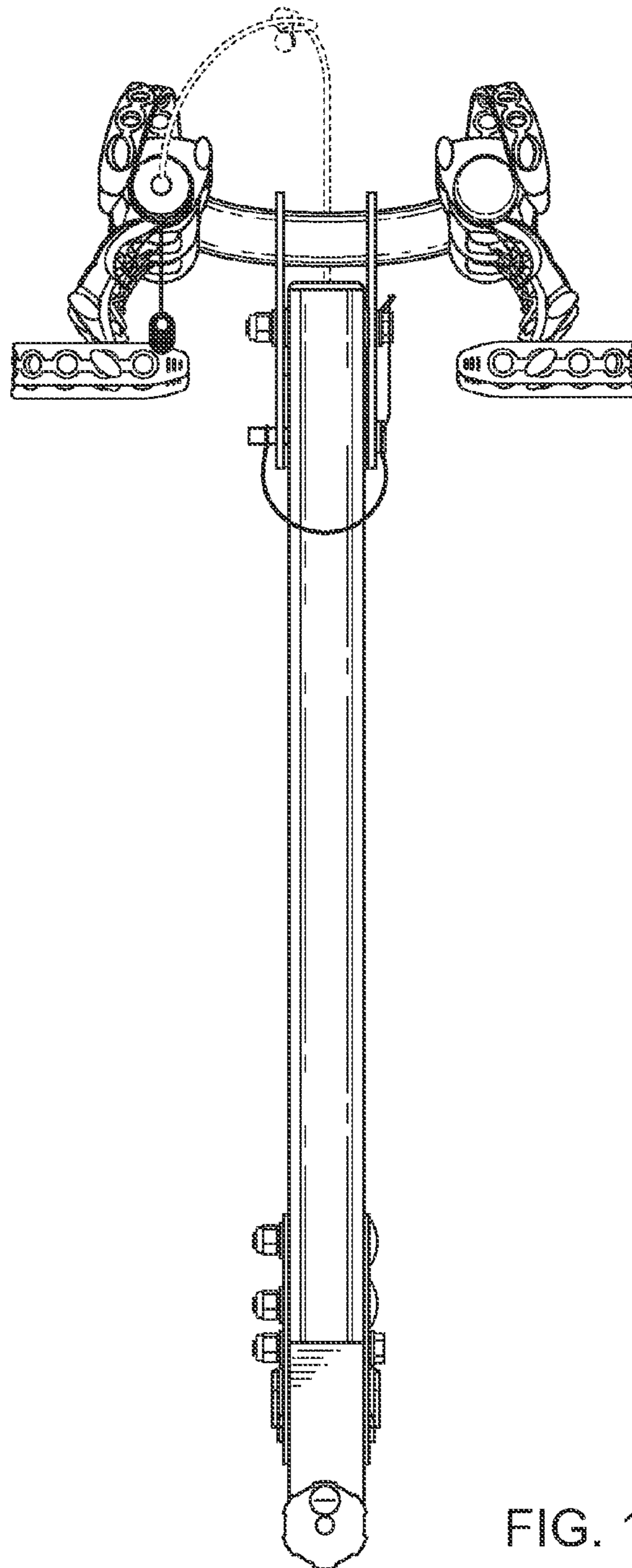


FIG. 18

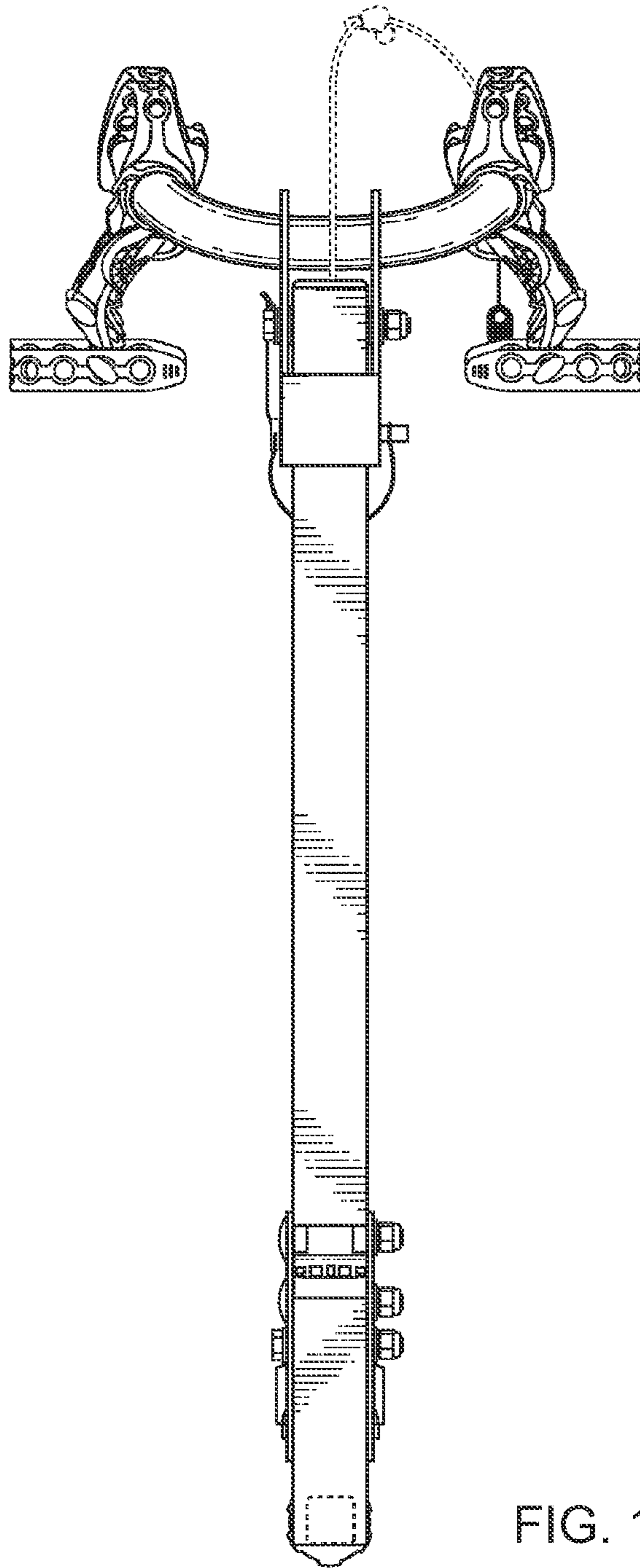


FIG. 19

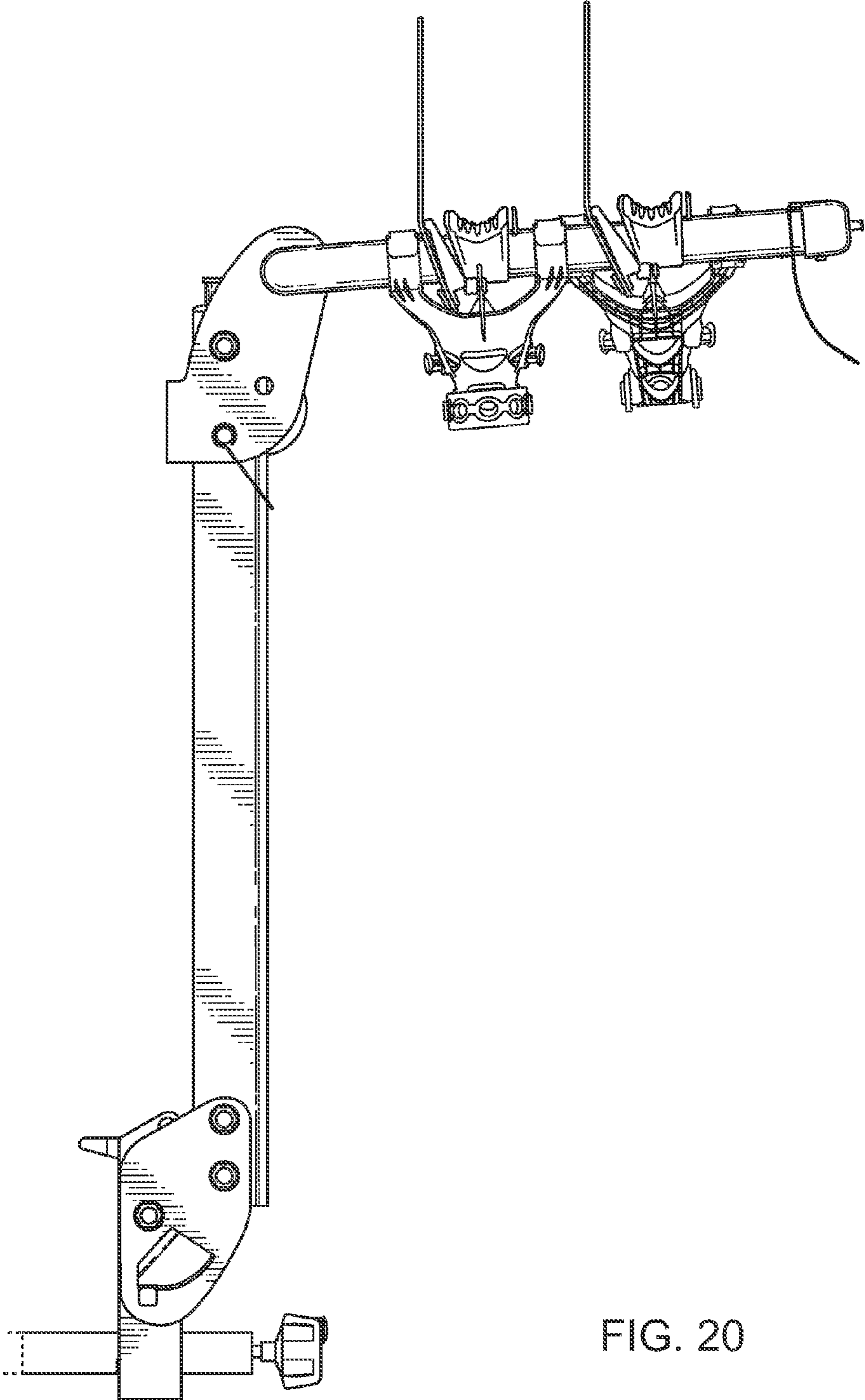


FIG. 20

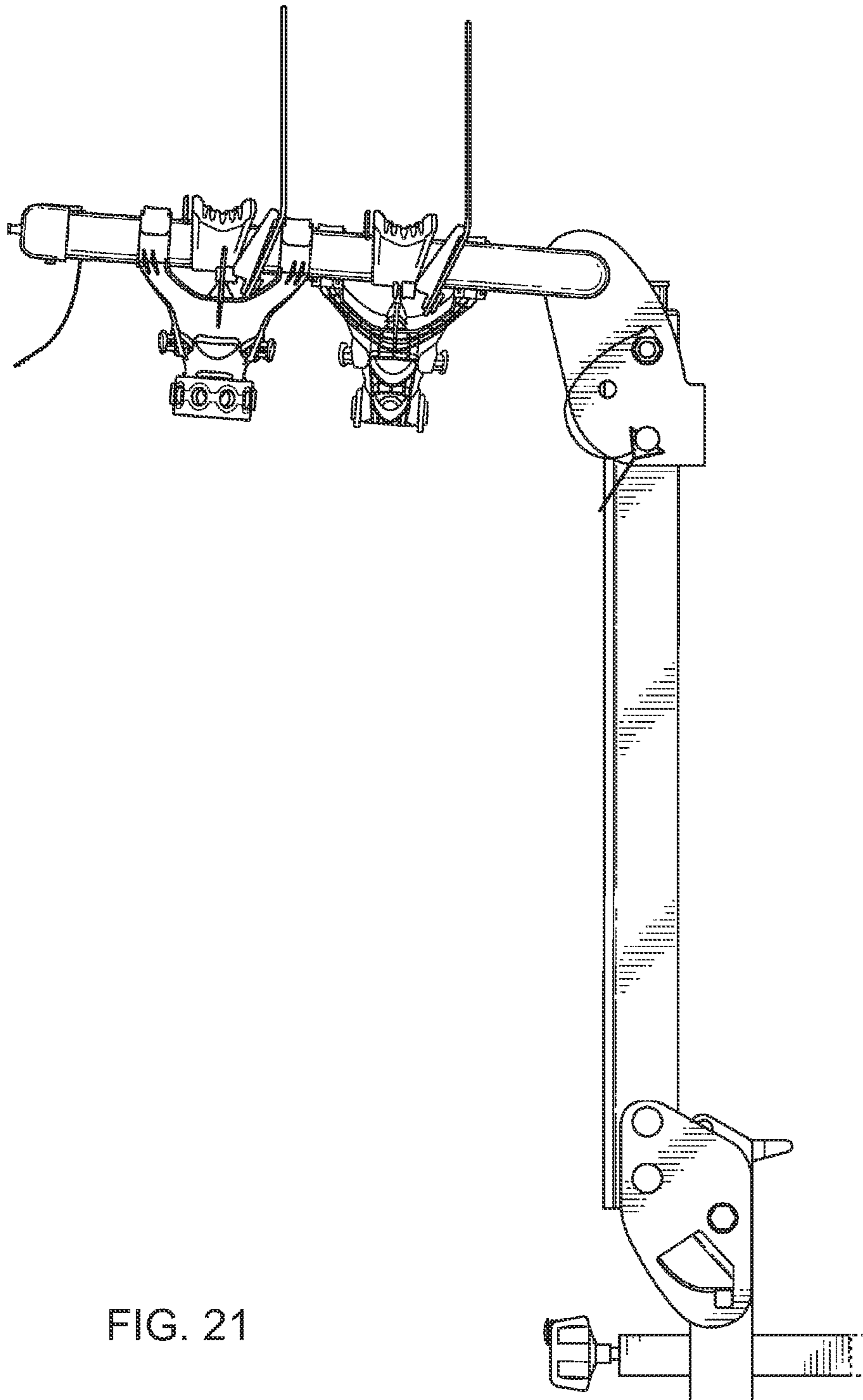


FIG. 21

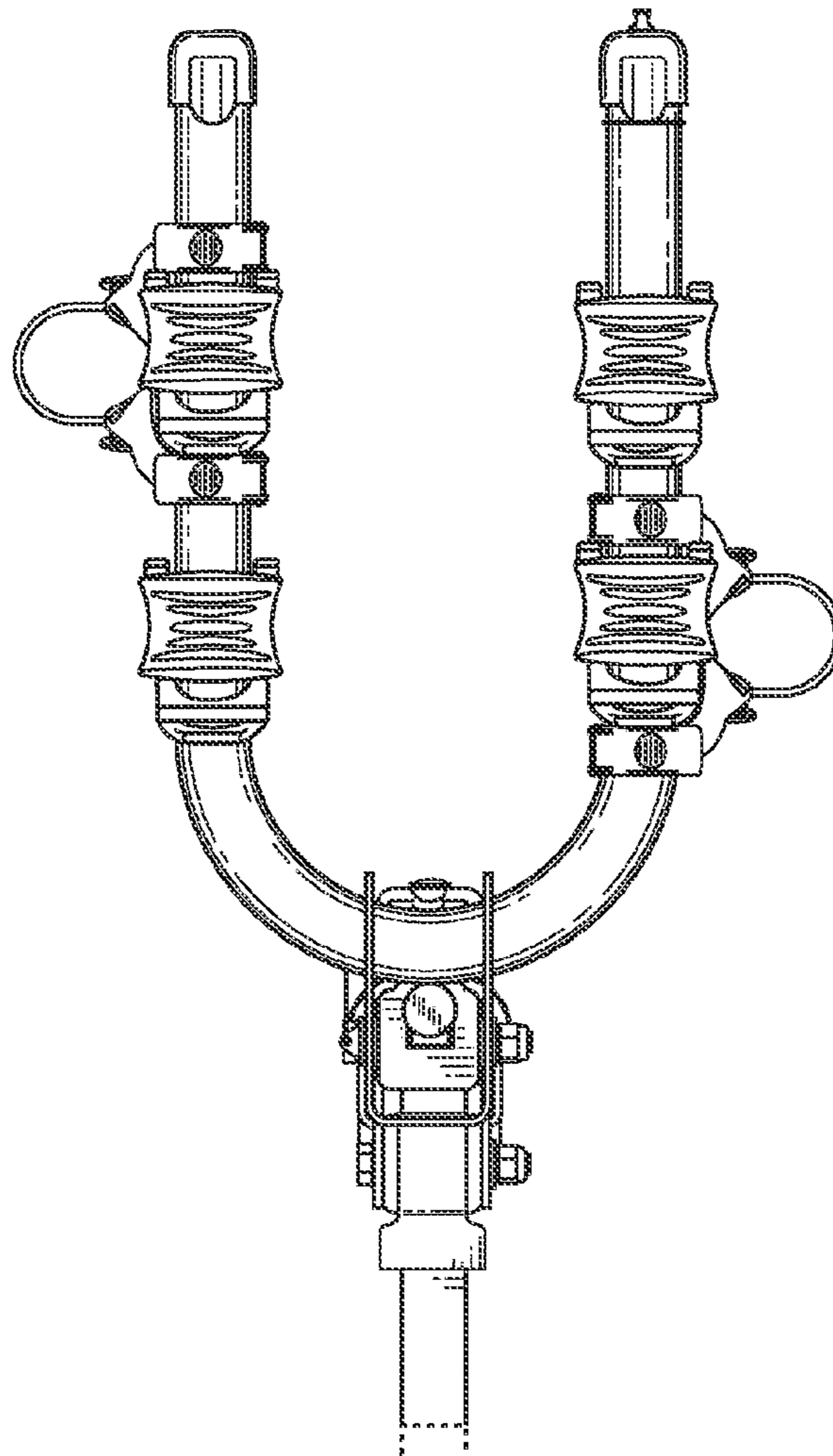


FIG. 22

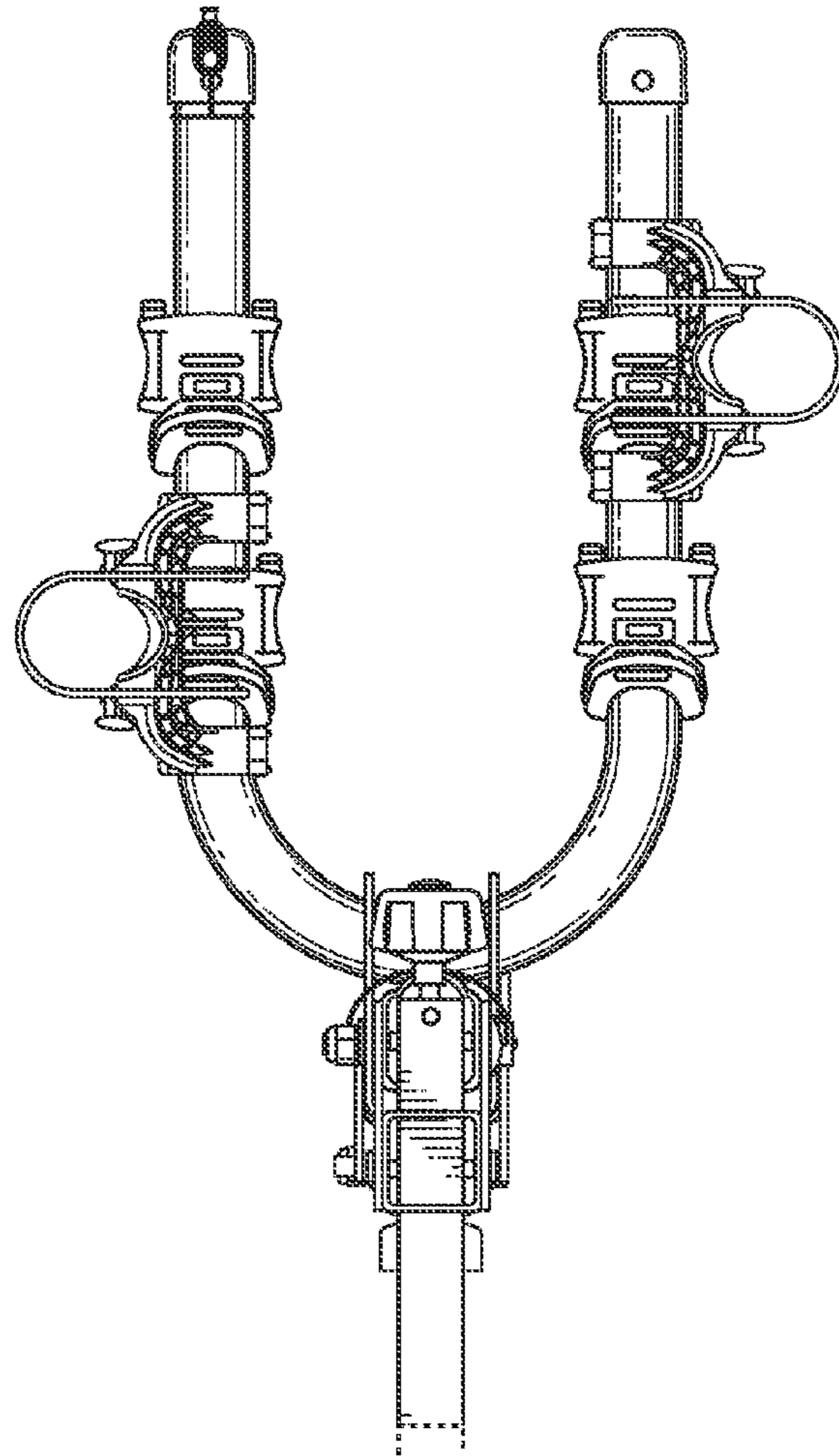


FIG. 23

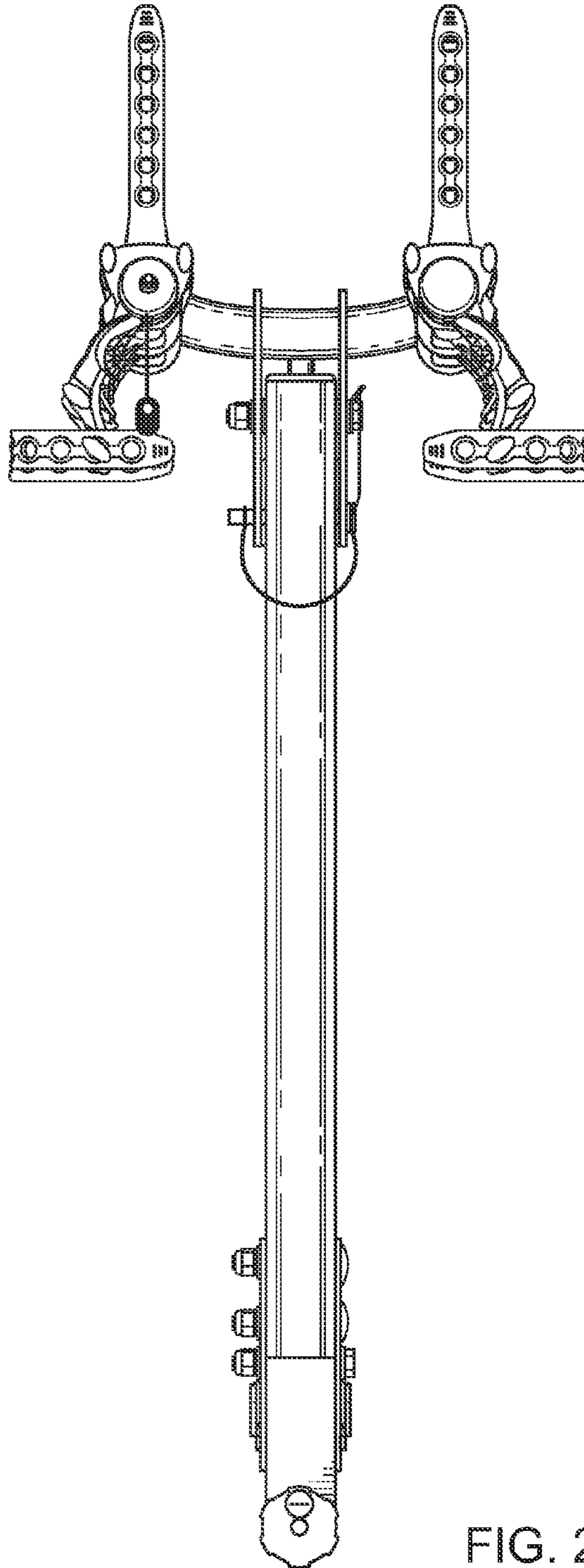


FIG. 24

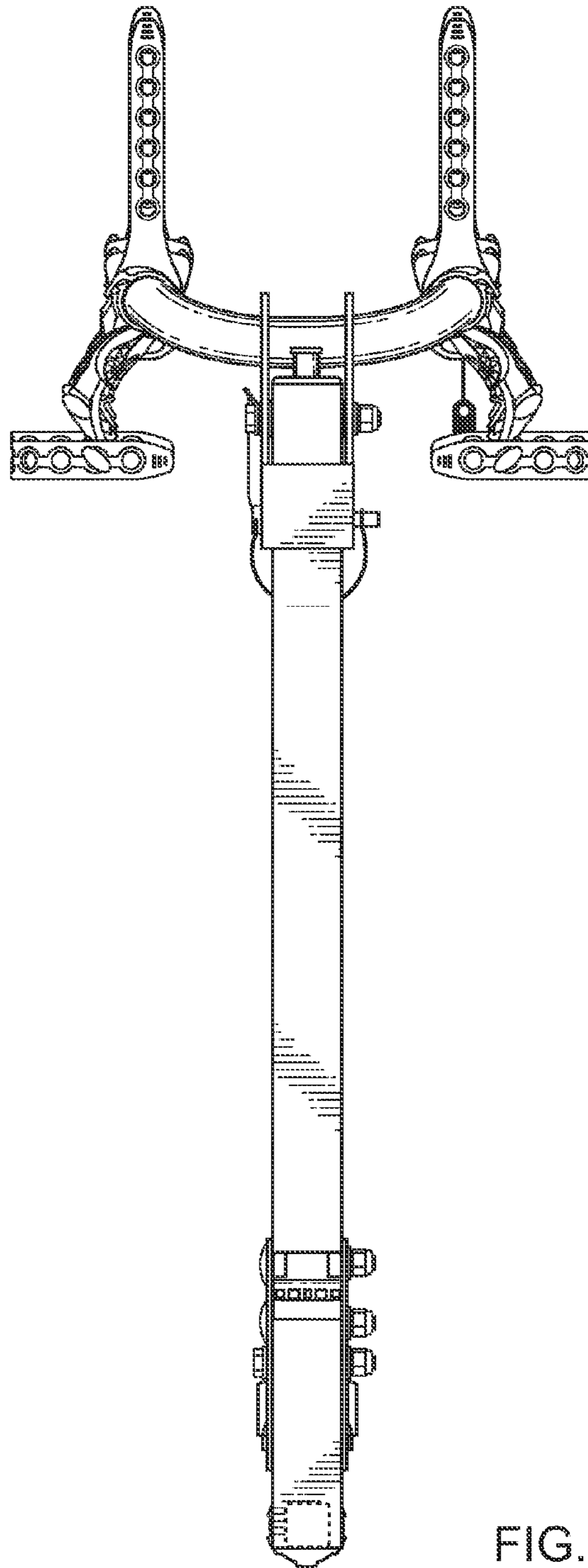


FIG. 25