

US00D635078S

(12) **United States Design Patent**
Elmitt

(10) **Patent No.:** **US D635,078 S**
(45) **Date of Patent:** **** Mar. 29, 2011**

(54) **WHEEL OR WHEEL COVER**

(75) Inventor: **Karl-Johann Elmitt**, Eching (DE)

(73) Assignee: **Bayerische Motoren Werke Aktiengesellschaft**, Munich (DE)

(**) Term: **14 Years**

(21) Appl. No.: **29/375,557**

(22) Filed: **Sep. 24, 2010**

(30) **Foreign Application Priority Data**

Mar. 25, 2010 (DE) 402010001859

(51) **LOC (9) Cl.** **12-16**

(52) **U.S. Cl.** **D12/209**

(58) **Field of Classification Search** D12/204-213;
301/37.101, 64.101, 65, 64.201
See application file for complete search history.

(56) **References Cited**

U.S. PATENT DOCUMENTS

D361,547 S *	8/1995	Weld	D12/211
D427,555 S *	7/2000	Hall	D12/209
D466,853 S *	12/2002	Maifrini	D12/211
D504,098 S *	4/2005	Gallert	D12/209
D515,491 S *	2/2006	Elmitt	D12/209
D527,334 S *	8/2006	Hettler	D12/211
D551,149 S	9/2007	Elmitt		
D573,081 S *	7/2008	Kim et al.	D12/211
D573,083 S *	7/2008	Hetrick	D12/211
D574,310 S *	8/2008	Huet	D12/209
D579,399 S *	10/2008	Schweizer	D12/211
D590,314 S *	4/2009	Hettler	D12/209
D615,018 S	5/2010	Truebsbach		
D620,417 S *	7/2010	Gallert	D12/209

D620,424 S *	7/2010	Gallert	D12/211
D621,318 S *	8/2010	Elmitt	D12/209
D621,319 S *	8/2010	Nissl	D12/209
D621,771 S	8/2010	Truebsbach		
D623,108 S *	9/2010	Spoerle	D12/209
D625,235 S *	10/2010	Nissl	D12/209
D627,287 S *	11/2010	Gallert	D12/209

FOREIGN PATENT DOCUMENTS

EM	000304274-0004	5/2005
EM	000863055-0001	3/2008
EM	000609458-0006	4/2008
EM	001598277-0011	1/2010
EM	001744640-0004	8/2010
EM	001655861-0002	10/2010
EM	001655861-0003	10/2010

* cited by examiner

Primary Examiner — Stacia Cadmus

(74) *Attorney, Agent, or Firm* — Crowell & Moring LLP

(57) **CLAIM**

The ornamental design for a wheel or wheel cover, as shown and described.

DESCRIPTION

This application contains subject matter related to the following co-pending U.S. design patent application:

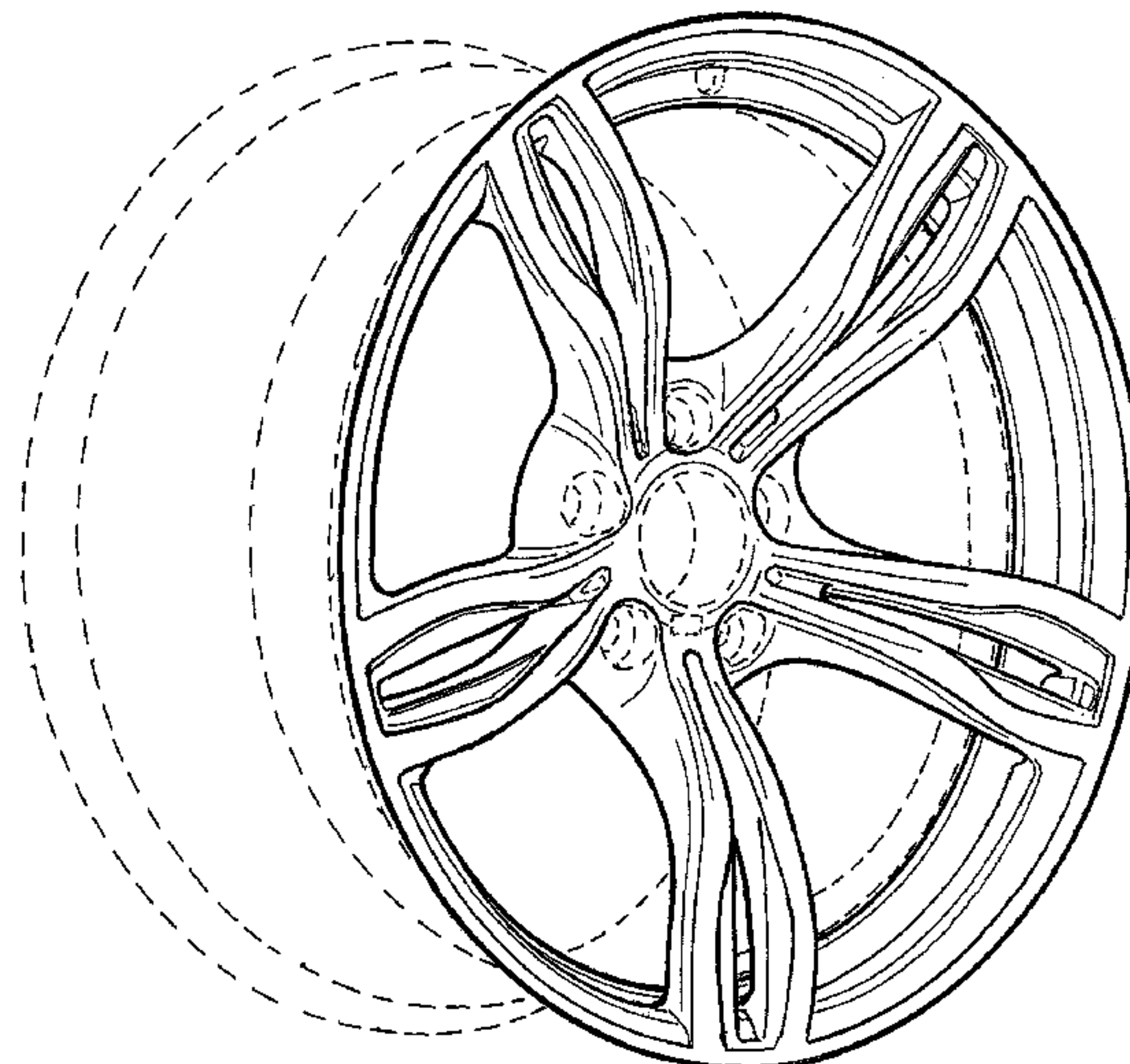
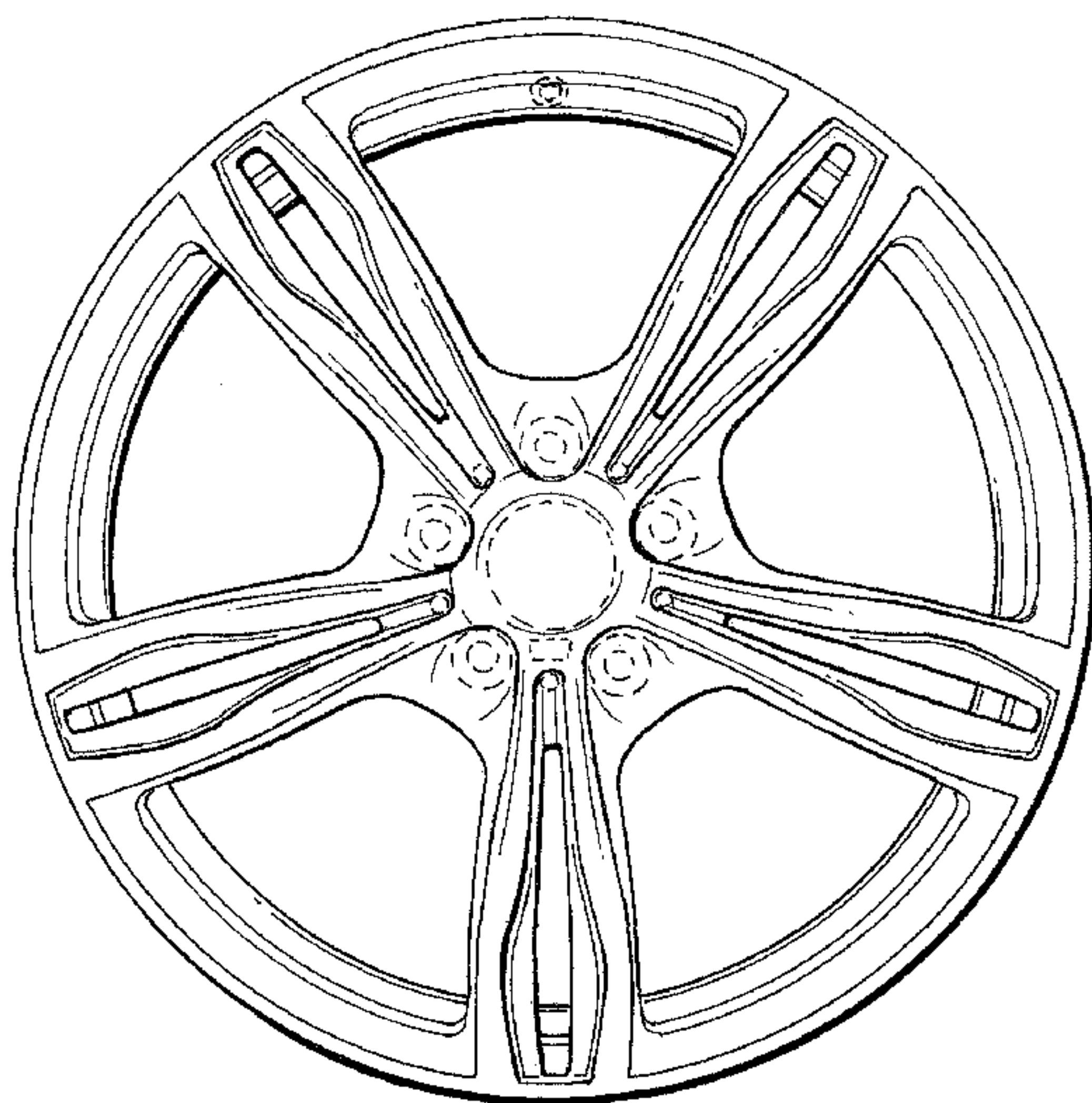
Application Ser. No. 29/347,971, filed Aug. 20, 2010 and entitled "Wheel Or Wheel Cover."

FIG. 1 is a front view of a wheel or wheel cover according to my design; and,

FIG. 2 is a perspective view thereof.

The broken line showing of the rear of the rim, the valve stem hole and the bolt holes and center hole in the central hub area is included for the purpose of illustrating environment and forms no part of the claimed design.

1 Claim, 1 Drawing Sheet



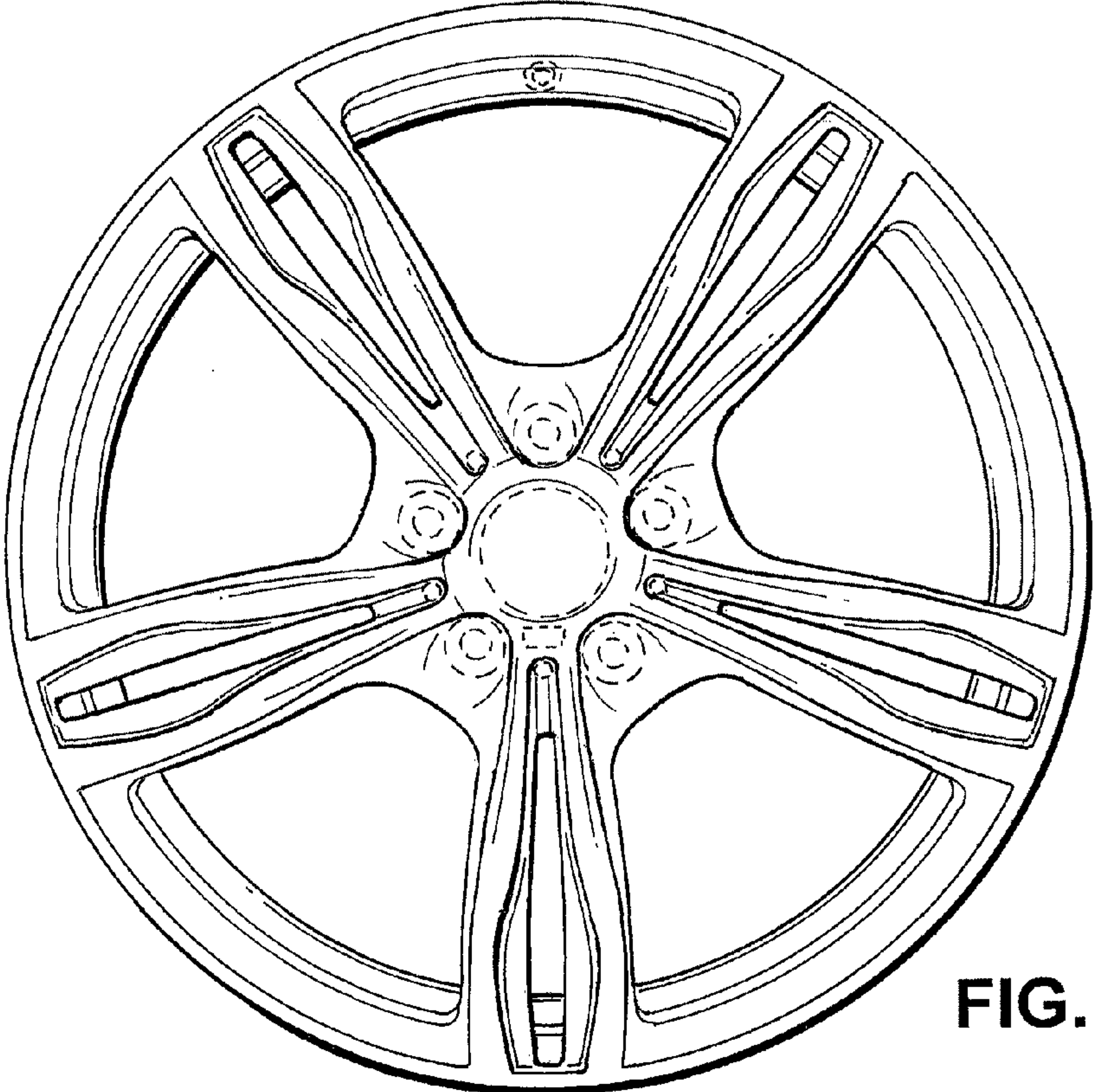


FIG. 1

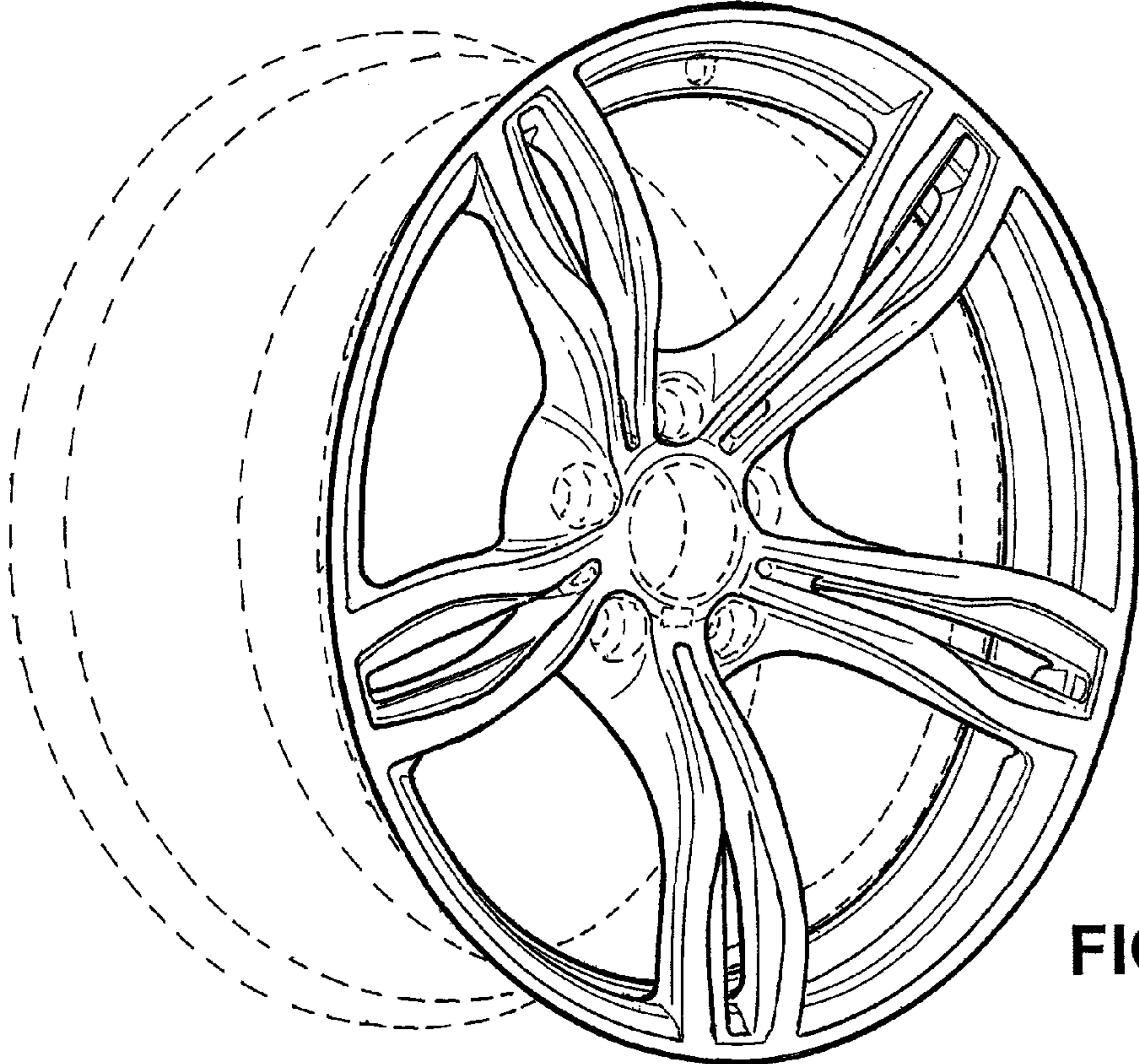


FIG. 2