



US00D635077S

(12) **United States Design Patent**
Nordmann

(10) **Patent No.:** **US D635,077 S**

(45) **Date of Patent:** **** Mar. 29, 2011**

(54) **WHEEL OR WHEEL COVER**

(75) Inventor: **Christoph Nordmann**, Munich (DE)

(73) Assignee: **Bayerische Motoren Werke
Aktiengesellschaft**, Munich (DE)

(**) Term: **14 Years**

(21) Appl. No.: **29/347,970**

(22) Filed: **Aug. 20, 2010**

(30) **Foreign Application Priority Data**

Feb. 22, 2010 (DE) 402010001117

(51) **LOC (9) Cl.** **12-16**

(52) **U.S. Cl.** **D12/209**

(58) **Field of Classification Search** D12/204-213;
301/37.101, 64.101, 65, 64.201
See application file for complete search history.

(56) **References Cited**

U.S. PATENT DOCUMENTS

D392,239 S *	3/1998	Cullen	D12/211
D415,991 S *	11/1999	Wang	D12/211
D477,556 S *	7/2003	Koch	D12/211
D508,007 S *	8/2005	Koch	D12/211
D513,728 S *	1/2006	Yazawa et al.	D12/211
D516,493 S	3/2006	Frizzi		
D525,184 S *	7/2006	Huet	D12/211
D535,935 S *	1/2007	Scheu	D12/211
D577,322 S *	9/2008	Scheu	D12/209
D593,476 S	6/2009	Juergens et al.		
D594,396 S	6/2009	Juergens et al.		

D608,712 S	1/2010	Pollmann		
D609,624 S *	2/2010	Matsubara	D12/211
D617,249 S *	6/2010	Juergens et al.	D12/211
D617,717 S	6/2010	Nordmann		
D619,071 S *	7/2010	Christensen et al.	D12/211
D620,871 S	8/2010	Juergens et al.		
D625,675 S	10/2010	Juergens et al.		

FOREIGN PATENT DOCUMENTS

EM	000330774-00006	6/2005
EM	000976881-0003	10/2008
EM	000997572-0003	10/2008
EM	000825609-0002	11/2009
EM	001636978-0006	11/2009
EM	001636978-0015	11/2009
EM	001621541-0002	8/2010

* cited by examiner

Primary Examiner — Stacia Cadmus

(74) *Attorney, Agent, or Firm* — Crowell & Moring LLP

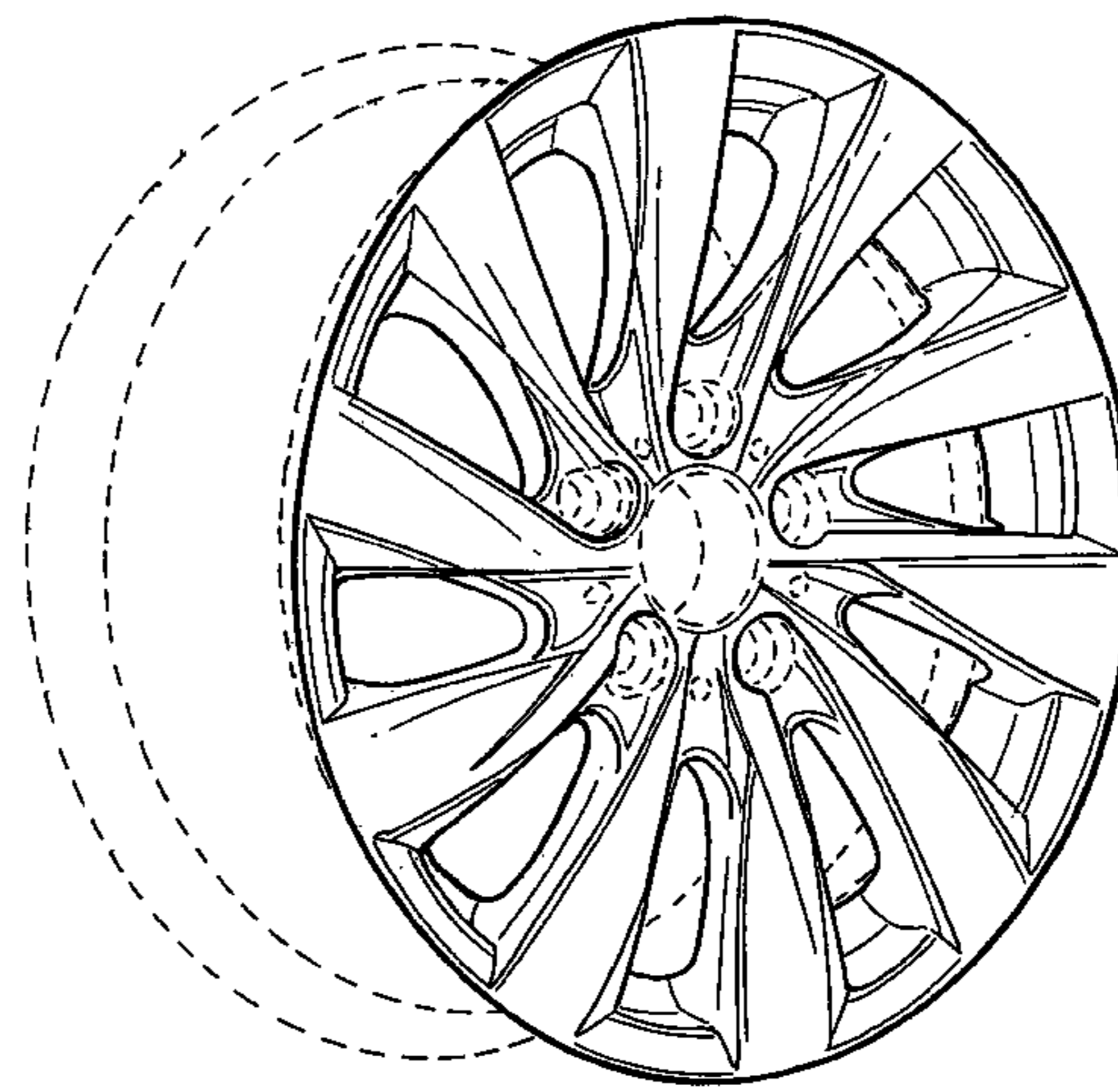
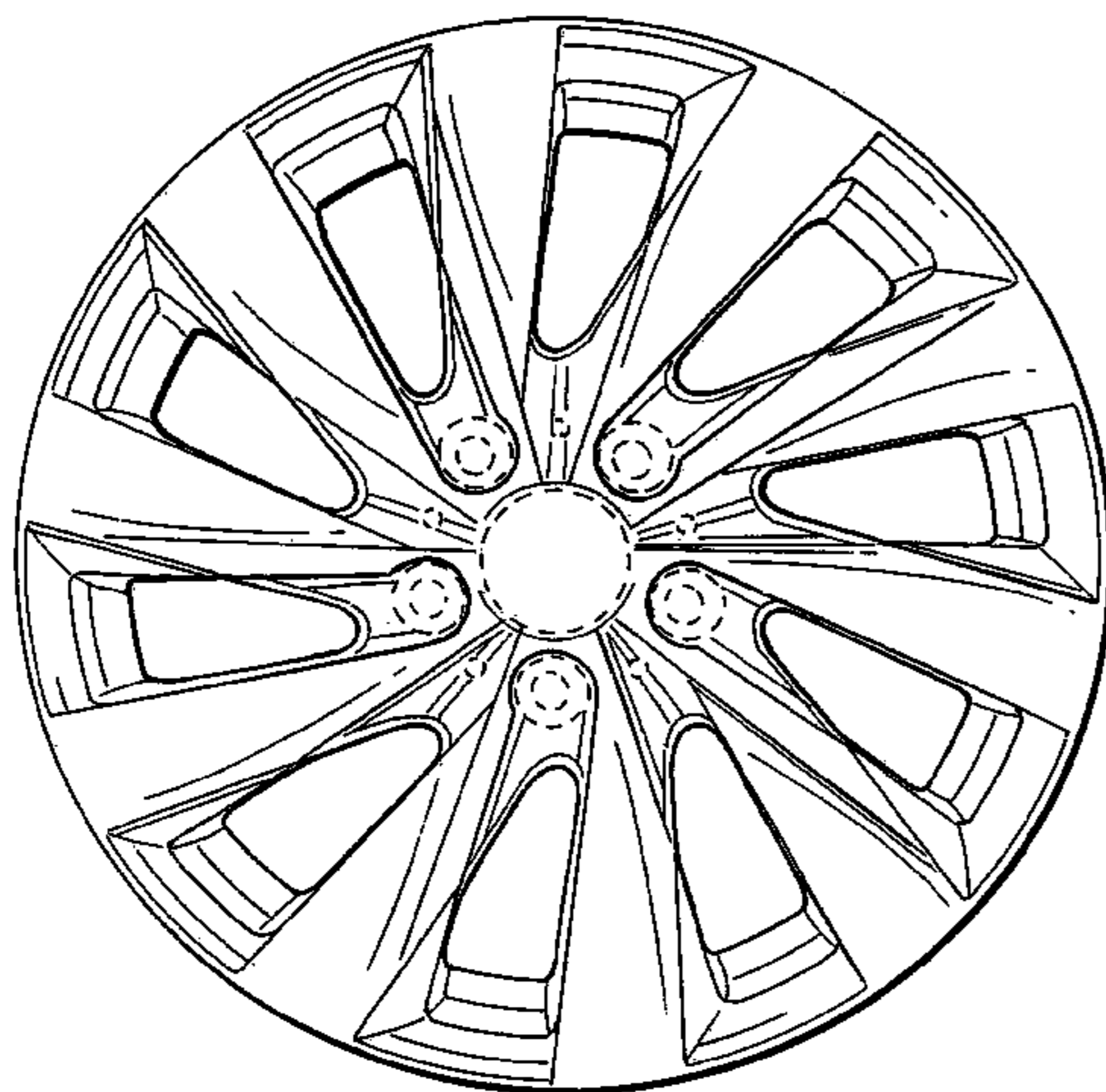
(57) **CLAIM**

The ornamental design for a wheel or wheel cover, as shown and described.

DESCRIPTION

FIG. 1 is a front view of a wheel or wheel cover according to my design; and,
FIG. 2 is a perspective view thereof.
The broken line showing of the rear of the rim and the bolt holes and center hole in the central hub area is included for the purpose of illustrating environment and forms no part of the claimed design.

1 Claim, 1 Drawing Sheet



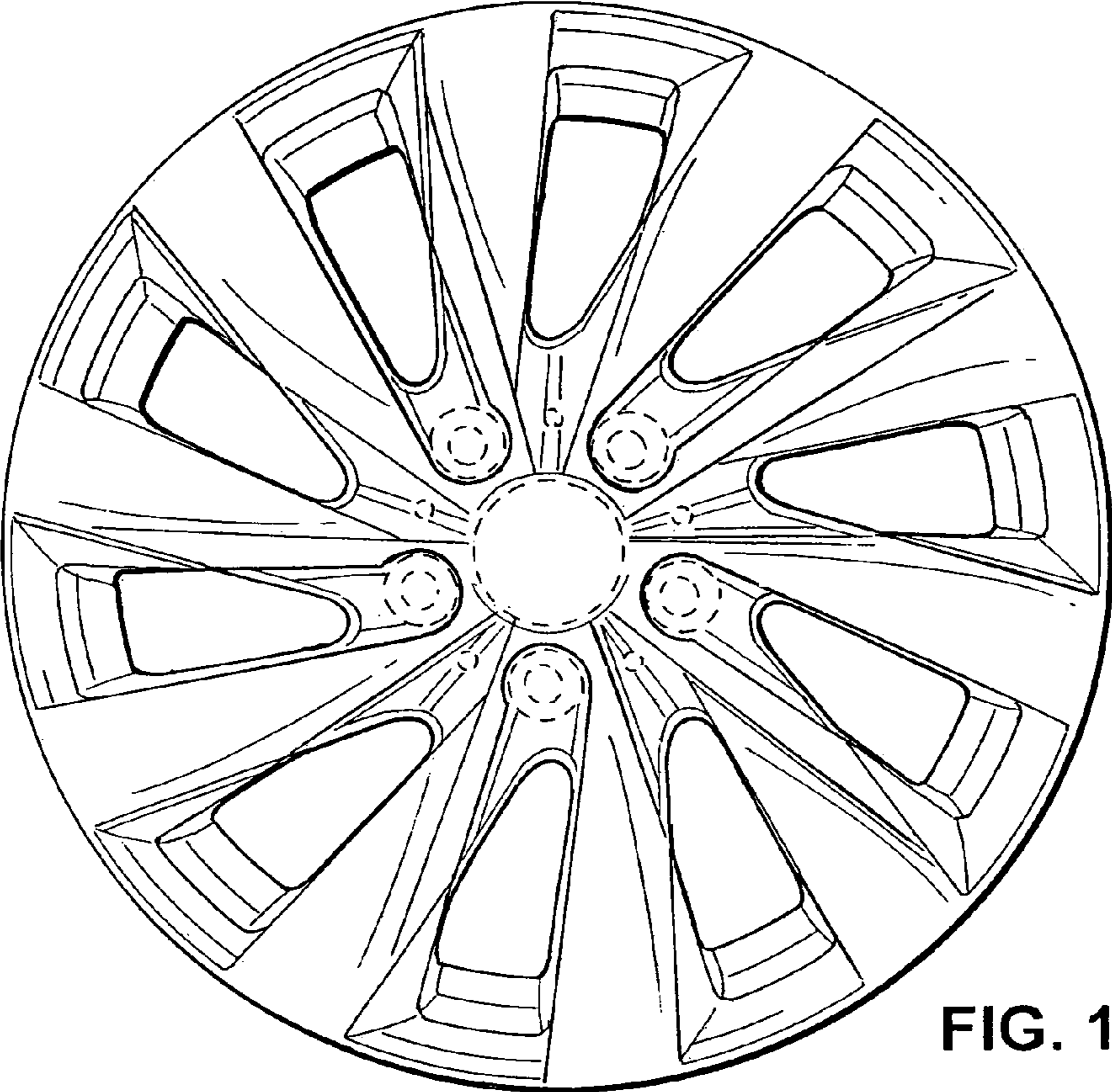


FIG. 1

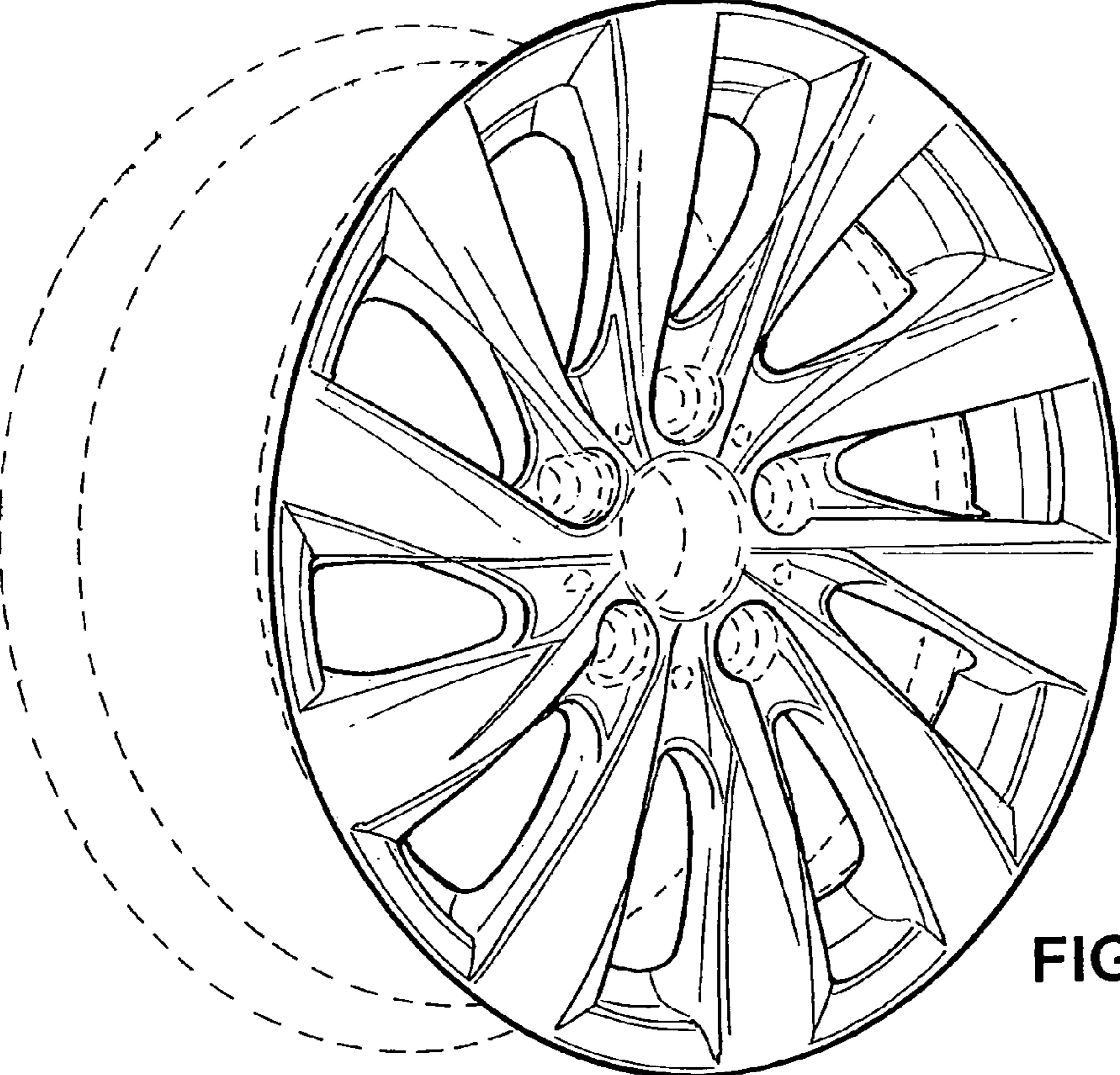


FIG. 2