



US00D635076S

(12) **United States Design Patent**  
**De Bono**

(10) **Patent No.:** **US D635,076 S**  
(45) **Date of Patent:** **\*\* Mar. 29, 2011**

(54) **WHEEL OR WHEEL COVER**

(75) Inventor: **Michael Theodore De Bono**, Munich (DE)

(73) Assignee: **Bayerische Motoren Werke Aktiengesellschaft**, Munich (DE)

(\*\*) Term: **14 Years**

(21) Appl. No.: **29/347,968**

(22) Filed: **Aug. 20, 2010**

(30) **Foreign Application Priority Data**

Feb. 22, 2010 (DE) ..... 40 2010 001 117

(51) **LOC (9) Cl.** ..... **12-16**

(52) **U.S. Cl.** ..... **D12/209**

(58) **Field of Classification Search** ..... D12/204-213;  
301/37.101, 64.101, 65, 64.201

See application file for complete search history.

(56) **References Cited**

**U.S. PATENT DOCUMENTS**

D485,524 S *	1/2004	Bhambra	.....	D12/209
D499,686 S *	12/2004	Song	.....	D12/211
D503,370 S	3/2005	Nordmann		
D526,947 S *	8/2006	Kim	.....	D12/209
D526,948 S *	8/2006	Truebsbach	.....	D12/211

D535,603 S *	1/2007	Guevara	.....	D12/209
D547,251 S *	7/2007	Baum	.....	D12/209
D576,094 S *	9/2008	Bernoni	.....	D12/211
D612,787 S *	3/2010	Juergens et al.	.....	D12/209
D612,788 S *	3/2010	Junker	.....	D12/209
D618,152 S *	6/2010	Juergens et al.	.....	D12/209
D622,196 S *	8/2010	Gallert	.....	D12/209

**FOREIGN PATENT DOCUMENTS**

DE	40002939.1	6/2000
DE	40002210.9	7/2000
EM	000010442-0002	7/2003
EM	001036552-0004	11/2009
EM	001658154-0001	5/2010

\* cited by examiner

*Primary Examiner* — Stacia Cadmus

(74) *Attorney, Agent, or Firm* — Crowell & Moring LLP

(57) **CLAIM**

The ornamental design for a wheel or wheel cover, as shown and described.

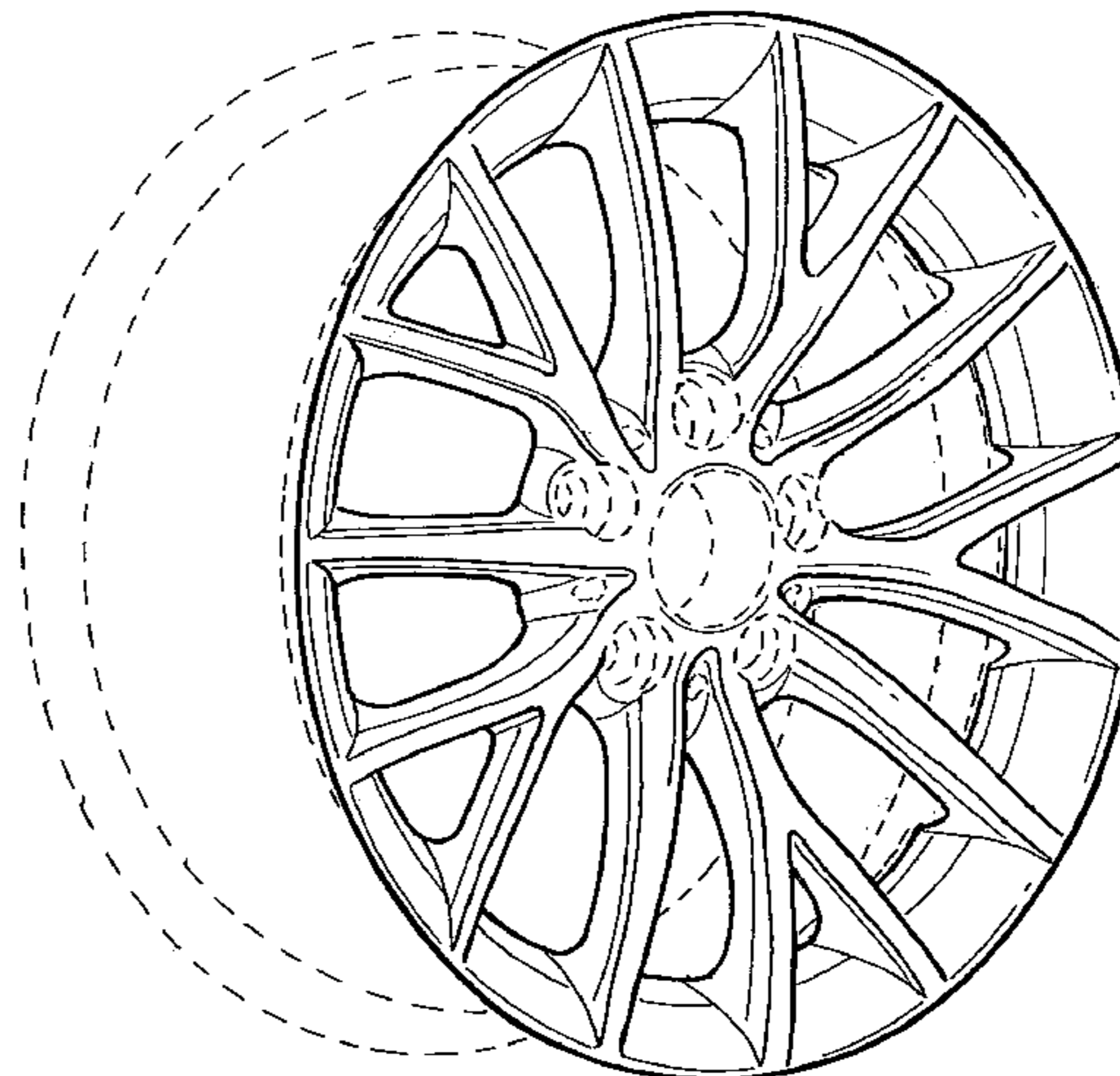
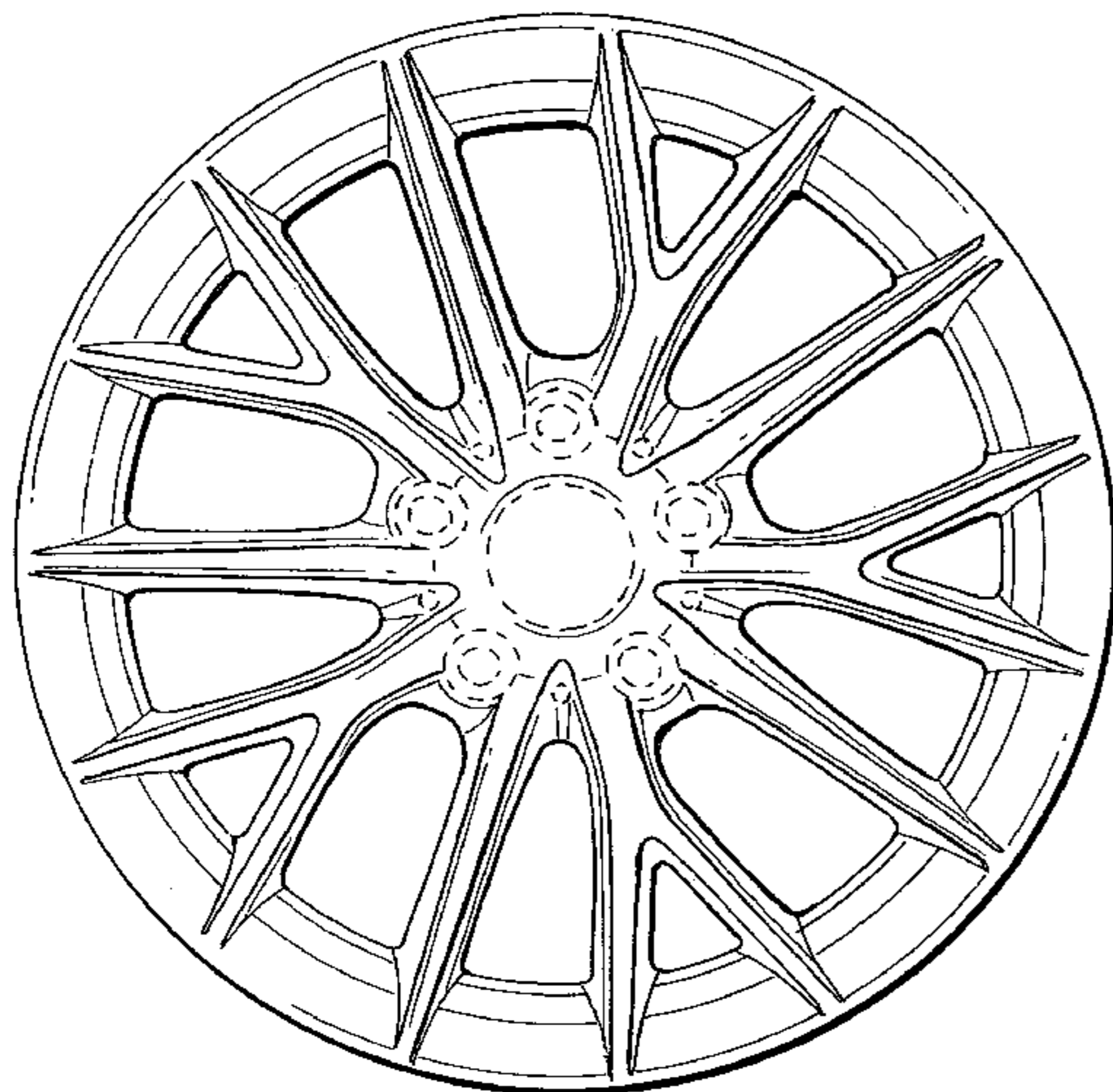
**DESCRIPTION**

FIG. 1 is a front view of a wheel or wheel cover according to my design; and,

FIG. 2 is a perspective view thereof.

The broken line showing of the rear of the rim and the bolt holes and center hole in the central hub area is included for the purpose of illustrating environment and forms no part of the claimed design.

**1 Claim, 1 Drawing Sheet**



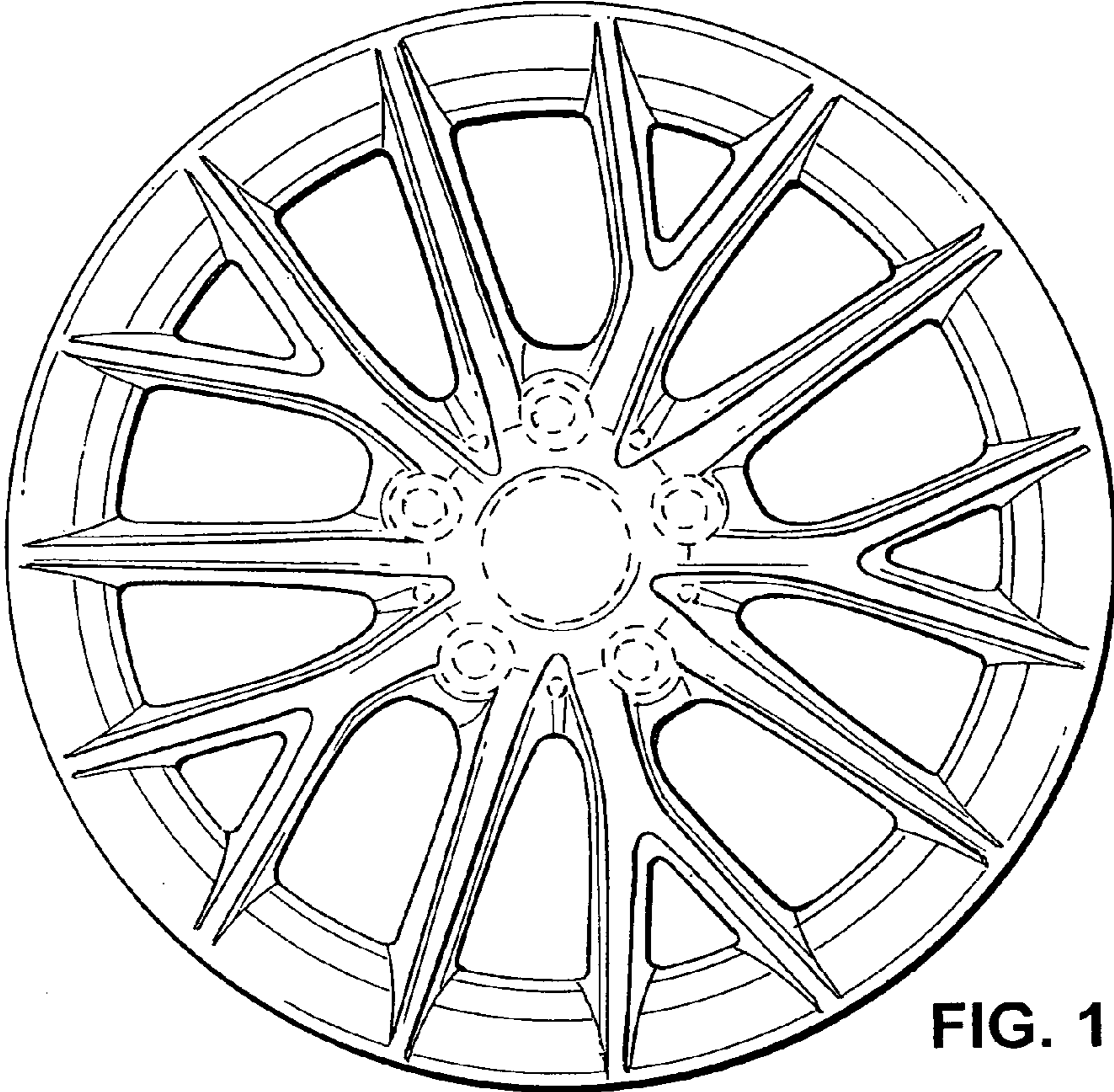


FIG. 1

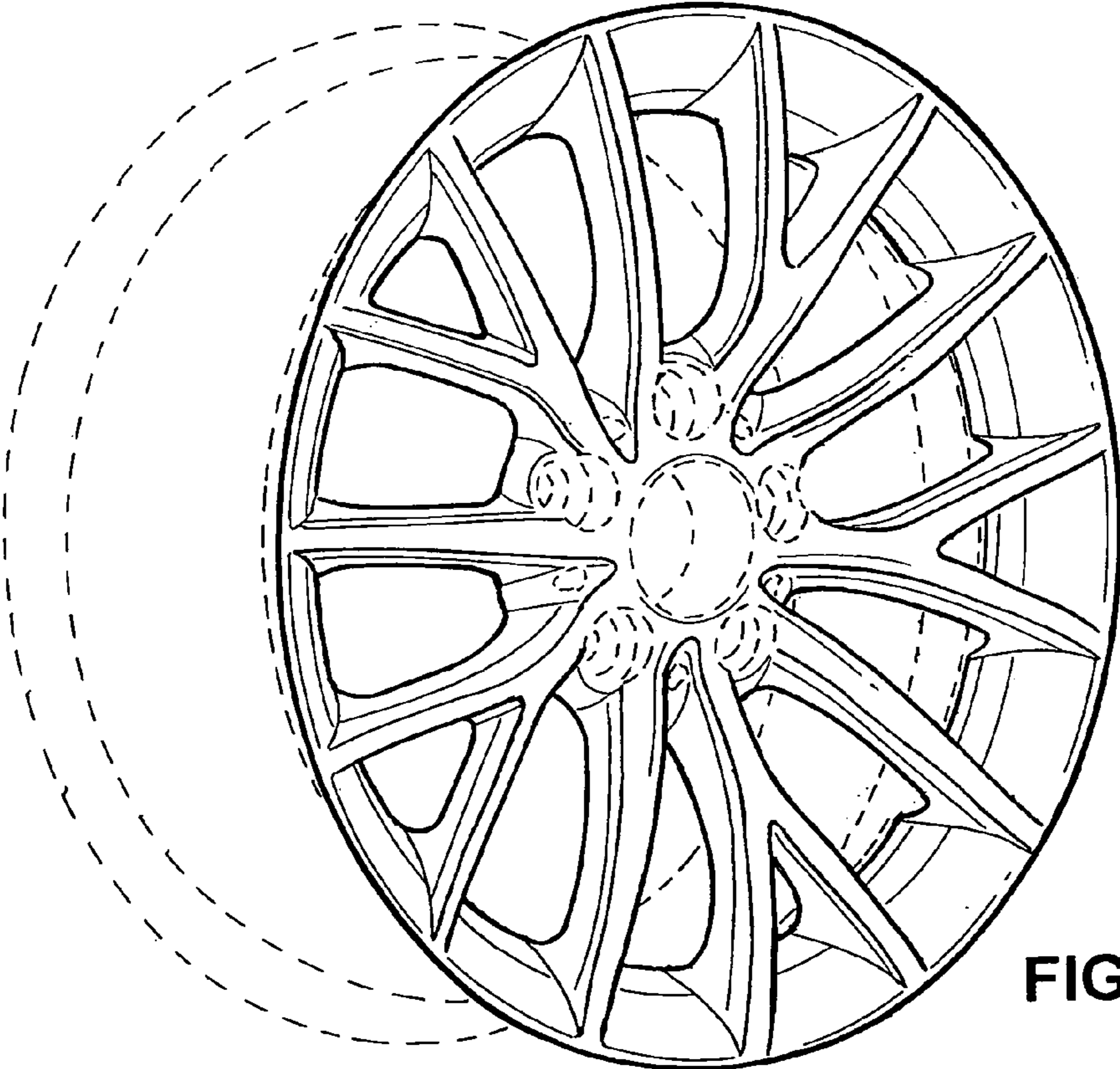


FIG. 2