



US00D635073S

(12) **United States Design Patent**  
**Nield**

(10) **Patent No.:** **US D635,073 S**

(45) **Date of Patent:** **\*\* Mar. 29, 2011**

(54) **VEHICLE GAUGE**

(75) Inventor: **Jeffrey Nield**, Corona Del Mar, CA (US)

(73) Assignee: **Ford Motor Company**, Dearborn, MI (US)

(\*\*) Term: **14 Years**

(21) Appl. No.: **29/360,219**

(22) Filed: **Apr. 22, 2010**

(51) **LOC (9) Cl.** ..... **12-16**

(52) **U.S. Cl.** ..... **D12/192**

(58) **Field of Classification Search** ..... D12/192,  
D12/415, 110, 114; 180/90; 280/750-752;  
296/190.01-190.09, 191, 70; D15/17, 28;  
D10/46, 98, 102-103, 122-127

See application file for complete search history.

(56) **References Cited**

**U.S. PATENT DOCUMENTS**

D261,752 S *	11/1981	Iwakura	.....	D12/114
D483,309 S *	12/2003	Wyszogrod	.....	D12/192
6,714,126 B2 *	3/2004	Wada	.....	340/438
7,159,534 B2 *	1/2007	Tanaka et al.	.....	116/300
D538,694 S *	3/2007	Rake	.....	D10/103
D554,015 S *	10/2007	Shimizugami et al.	.....	D10/102
D572,618 S *	7/2008	Yamada et al.	.....	D10/102
D581,302 S *	11/2008	Wyszogrod et al.	.....	D10/102

D589,388 S *	3/2009	Sauter	.....	D10/102
D598,832 S *	8/2009	Sauter	.....	D12/192
D621,316 S *	8/2010	Tsukada	.....	D12/192

\* cited by examiner

*Primary Examiner* — Caron Veynar

*Assistant Examiner* — Katrina A Kile

(74) *Attorney, Agent, or Firm* — Frank A. MacKenzie;  
Brooks Kushman P.C.

(57) **CLAIM**

The ornamental design for a vehicle gauge, as shown and described.

**DESCRIPTION**

FIG. 1 is a perspective view of a vehicle gauge according to an embodiment;

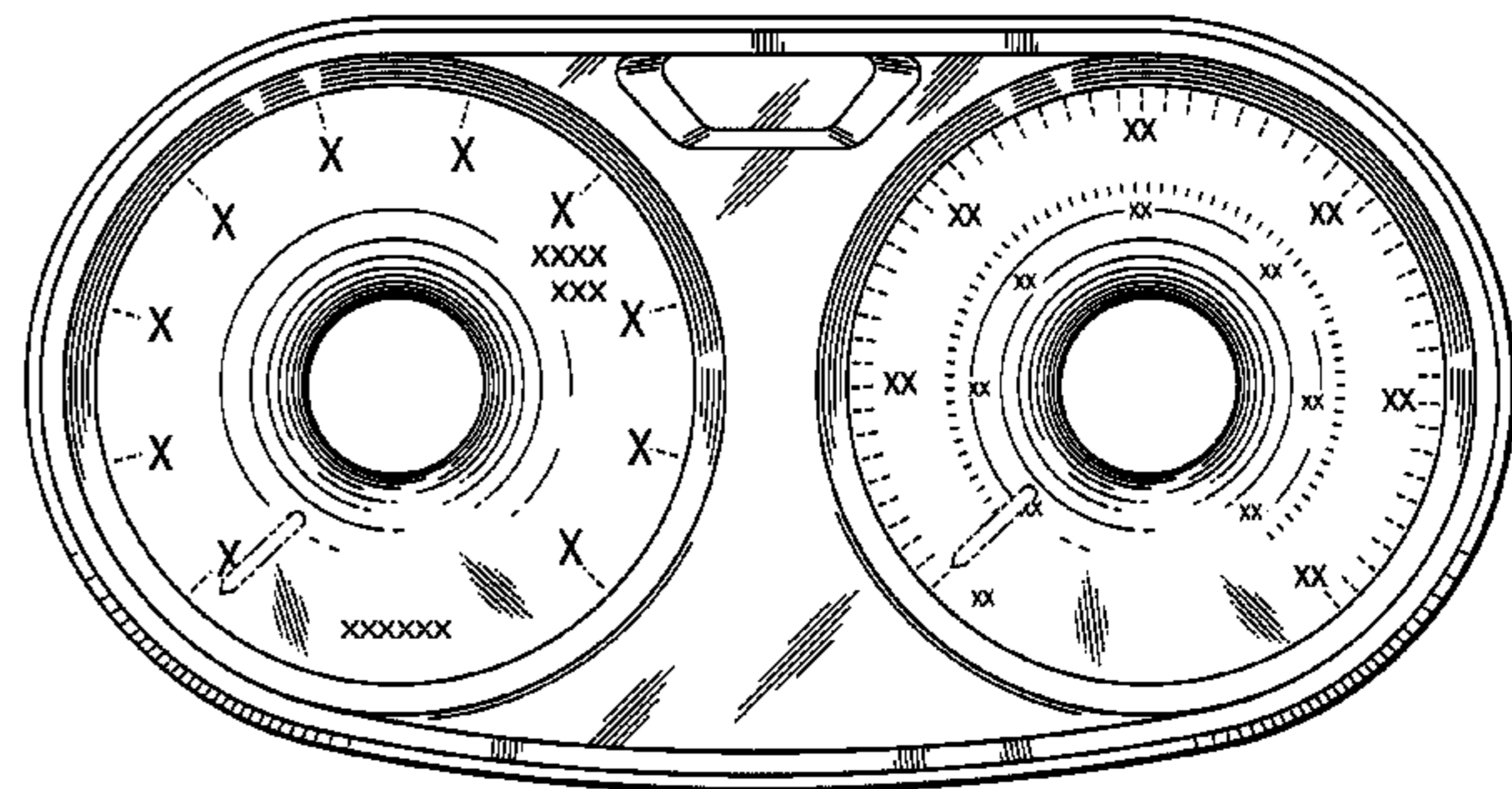
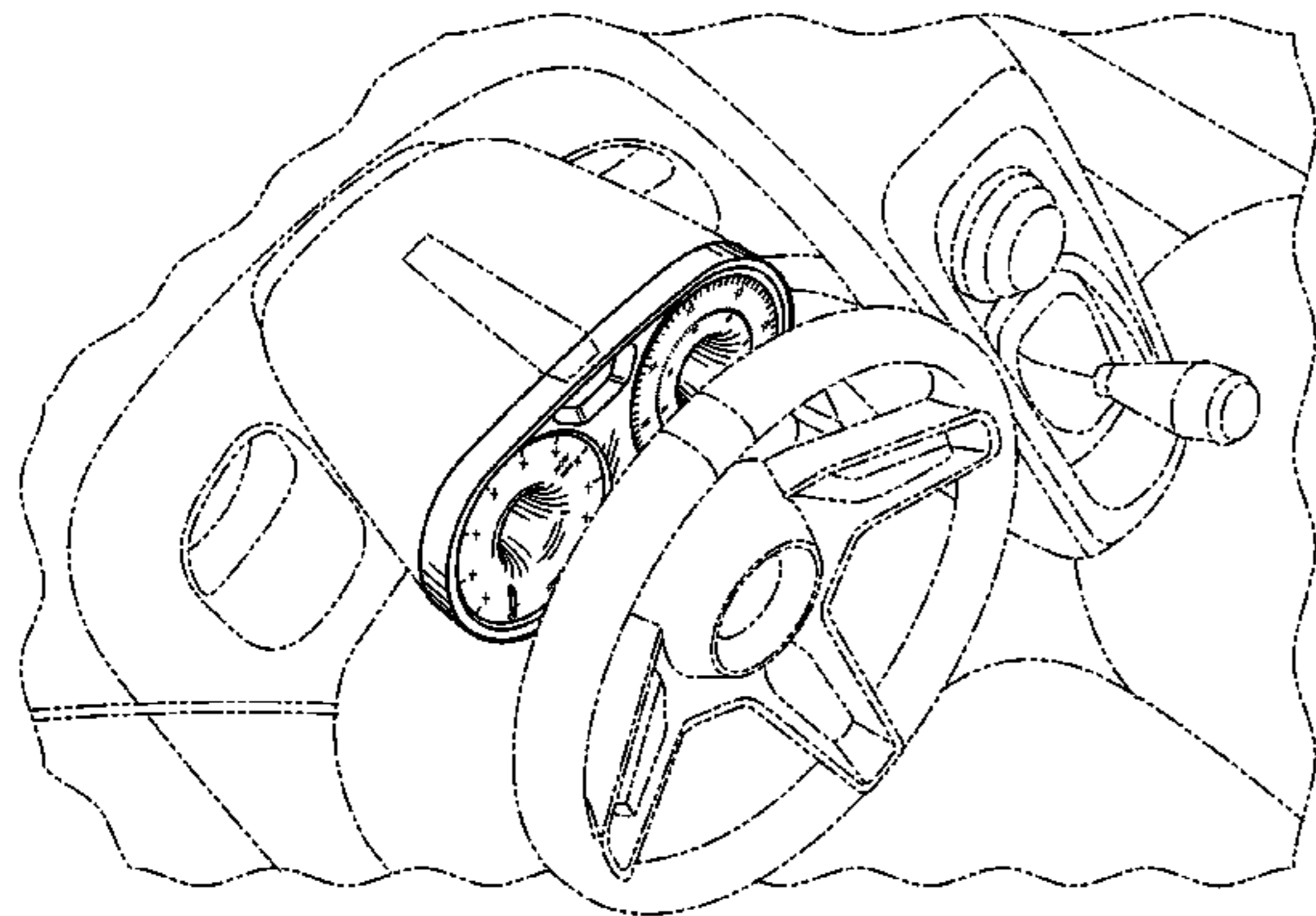
FIG. 2 is a side elevation view of the vehicle gauge of FIG. 1; FIG. 3 is another perspective view of the vehicle gauge of FIG. 1;

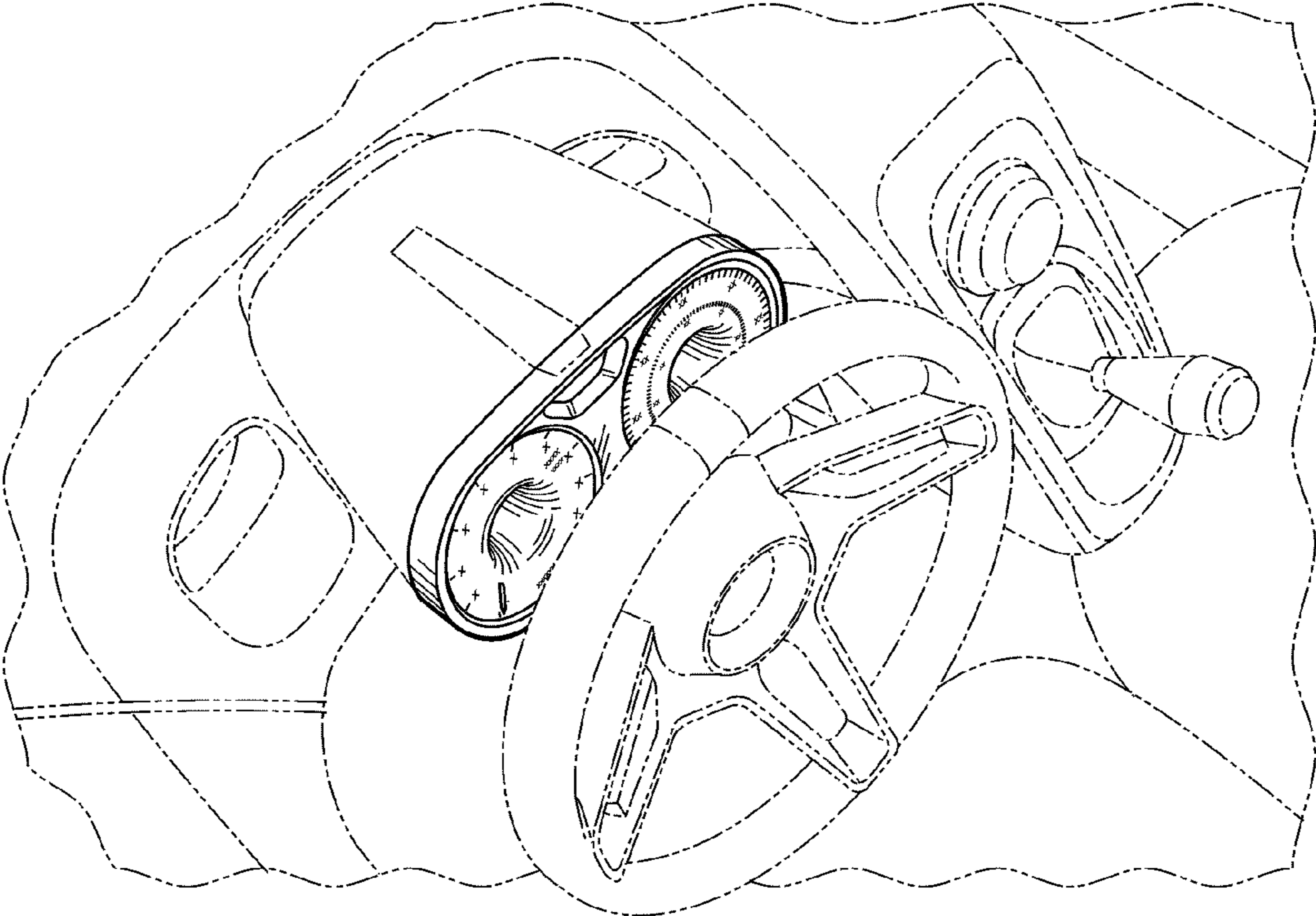
FIG. 4 is yet another perspective view of the vehicle gauge of FIG. 1; and,

FIG. 5 is a front plan view of the vehicle gauge of FIG. 1.

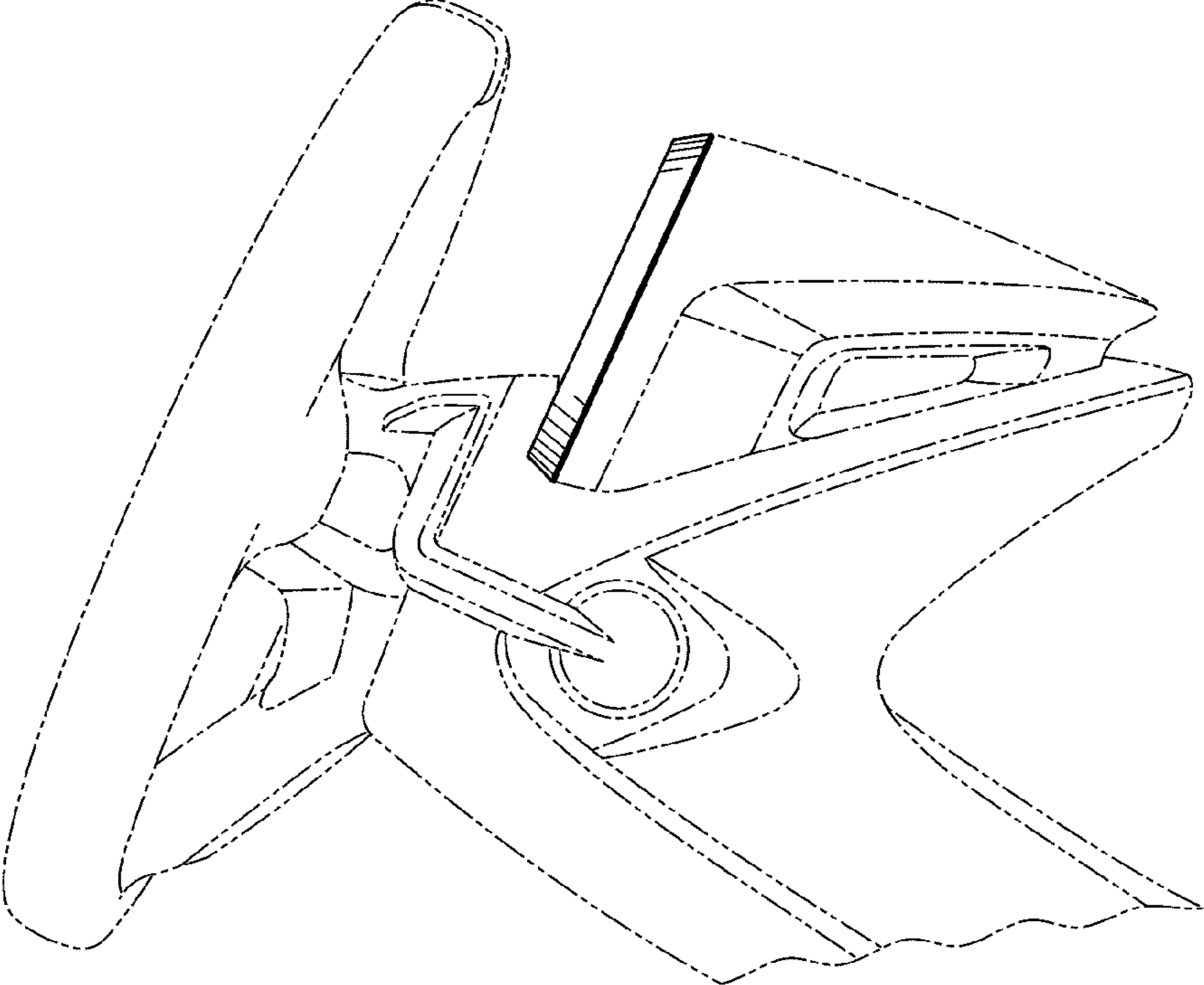
The broken lines are for illustrative purposes only and form no part of the claimed design. The indices on the gauges, for example, those denoted by "x", are for illustrative purposes only and form no part of the claimed design.

**1 Claim, 3 Drawing Sheets**

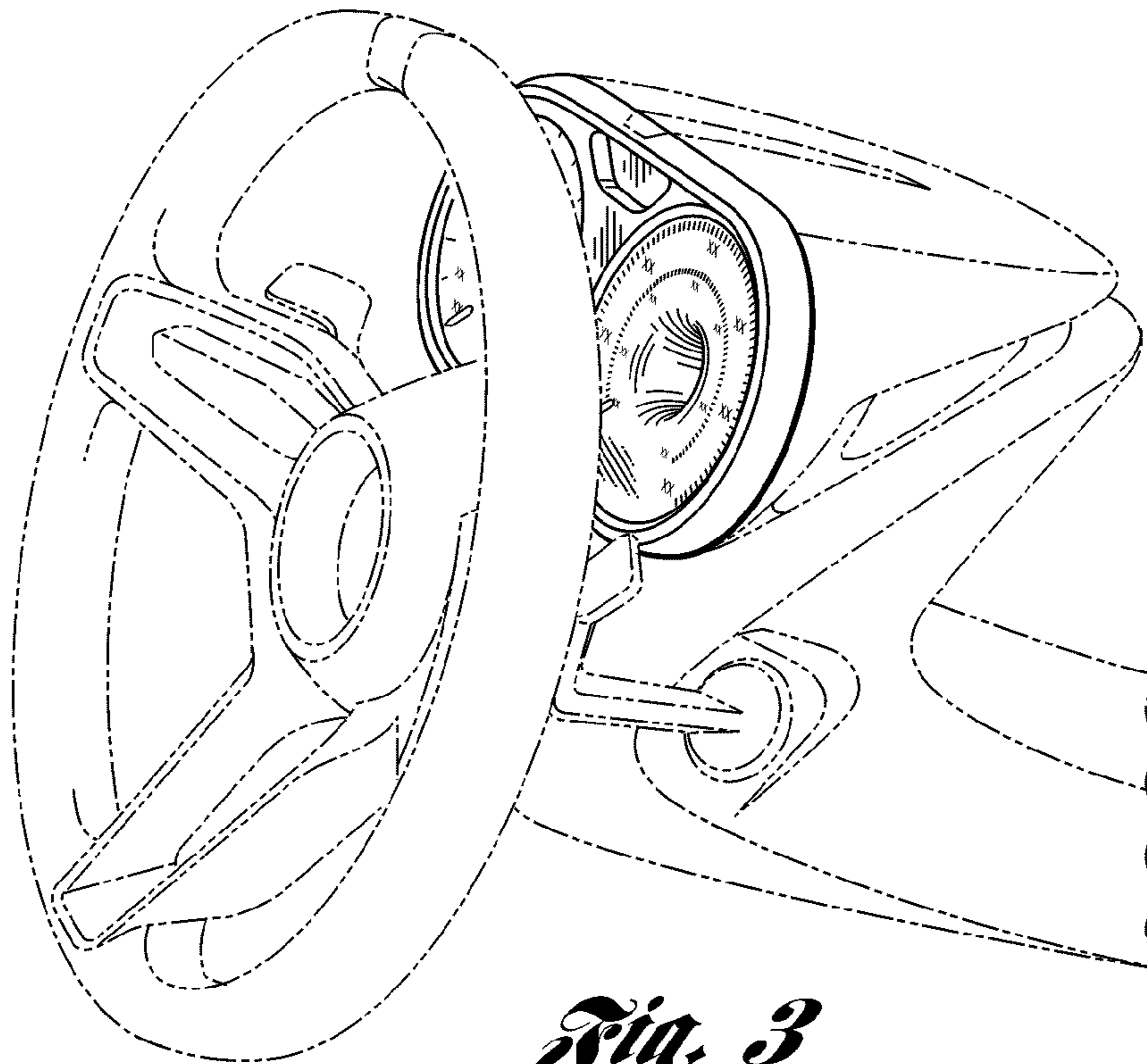




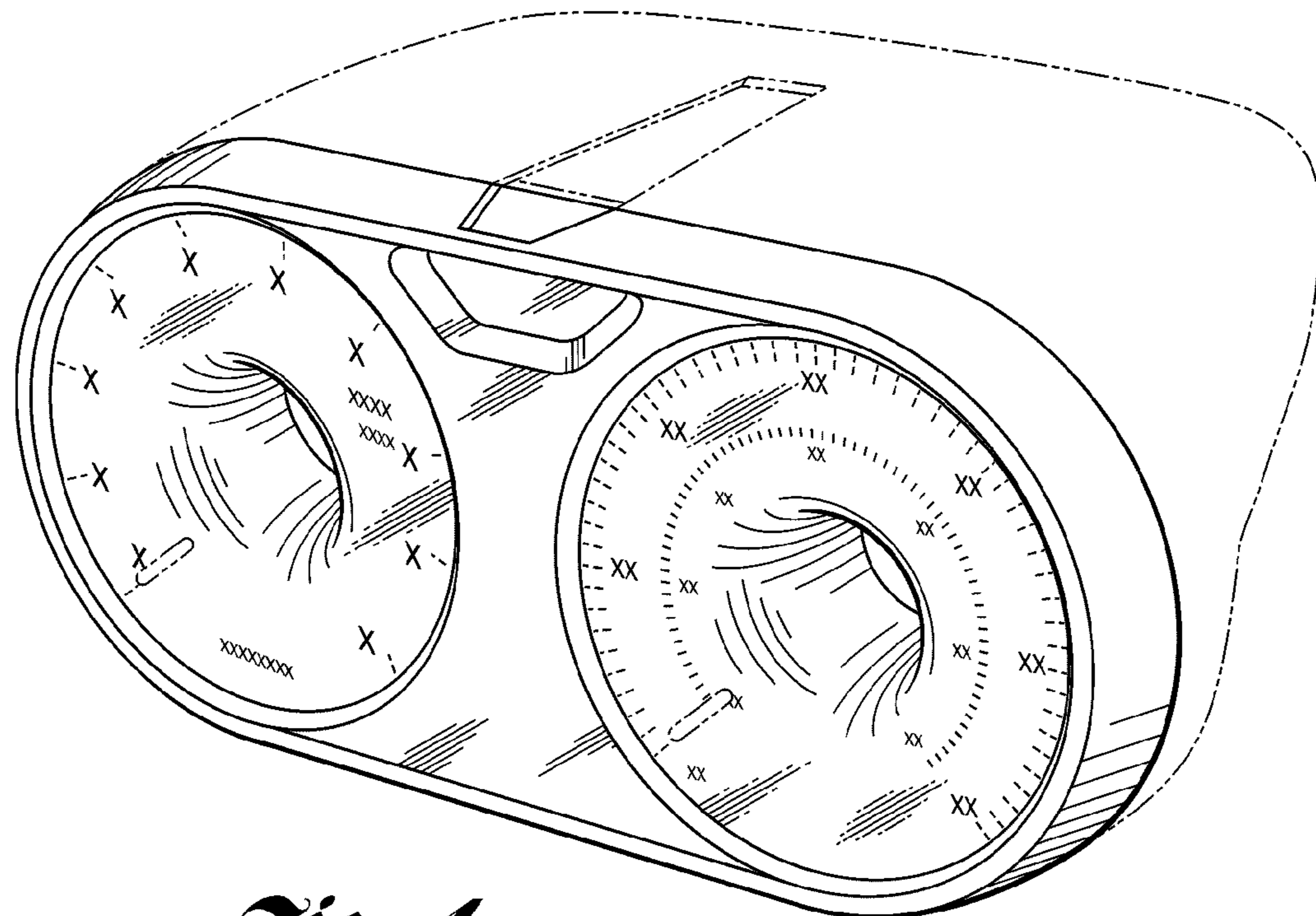
*Fig. 1*



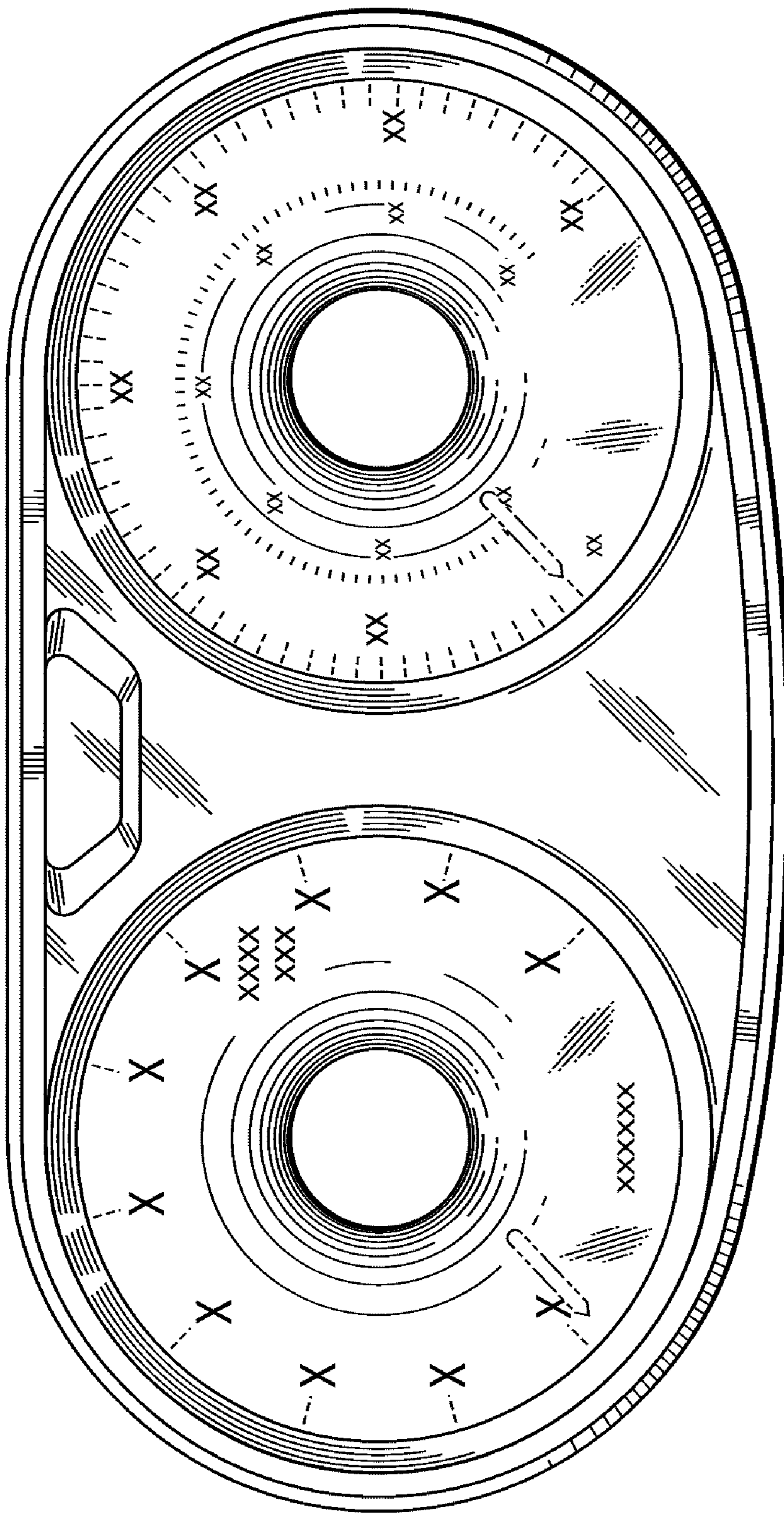
*Fig. 2*



*Fig. 3*



*Fig. 4*



*Fig. 5*