

US00D635071S

(12) **United States Design Patent**
Granata

(10) **Patent No.:** **US D635,071 S**

(45) **Date of Patent:** **** Mar. 29, 2011**

(54) **STEERING WHEEL FOR A MARINE VEHICLE**

D499,366 S * 12/2004 Habib D12/176
D563,294 S * 3/2008 Shimizu D12/176
D597,455 S * 8/2009 Pohanka D12/176
D626,478 S * 11/2010 Stephenson D12/176

(75) Inventor: **Peter Granata**, Hilton Head Island, SC (US)

* cited by examiner

(73) Assignee: **Grant Products International, Inc.**, Duarte, CA (US)

Primary Examiner — Melody N Brown

(74) *Attorney, Agent, or Firm* — Venable LLP; Stefan J. Kirchanski

(**) Term: **14 Years**

(57) **CLAIM**

(21) Appl. No.: **29/368,151**

The ornamental design for a steering wheel for a marine vehicle, as shown and described.

(22) Filed: **Aug. 18, 2010**

DESCRIPTION

(51) **LOC (9) Cl.** **12-16**

(52) **U.S. Cl.** **D12/176**

(58) **Field of Classification Search** D12/175, D12/176; 74/552, 558, 558.5

See application file for complete search history.

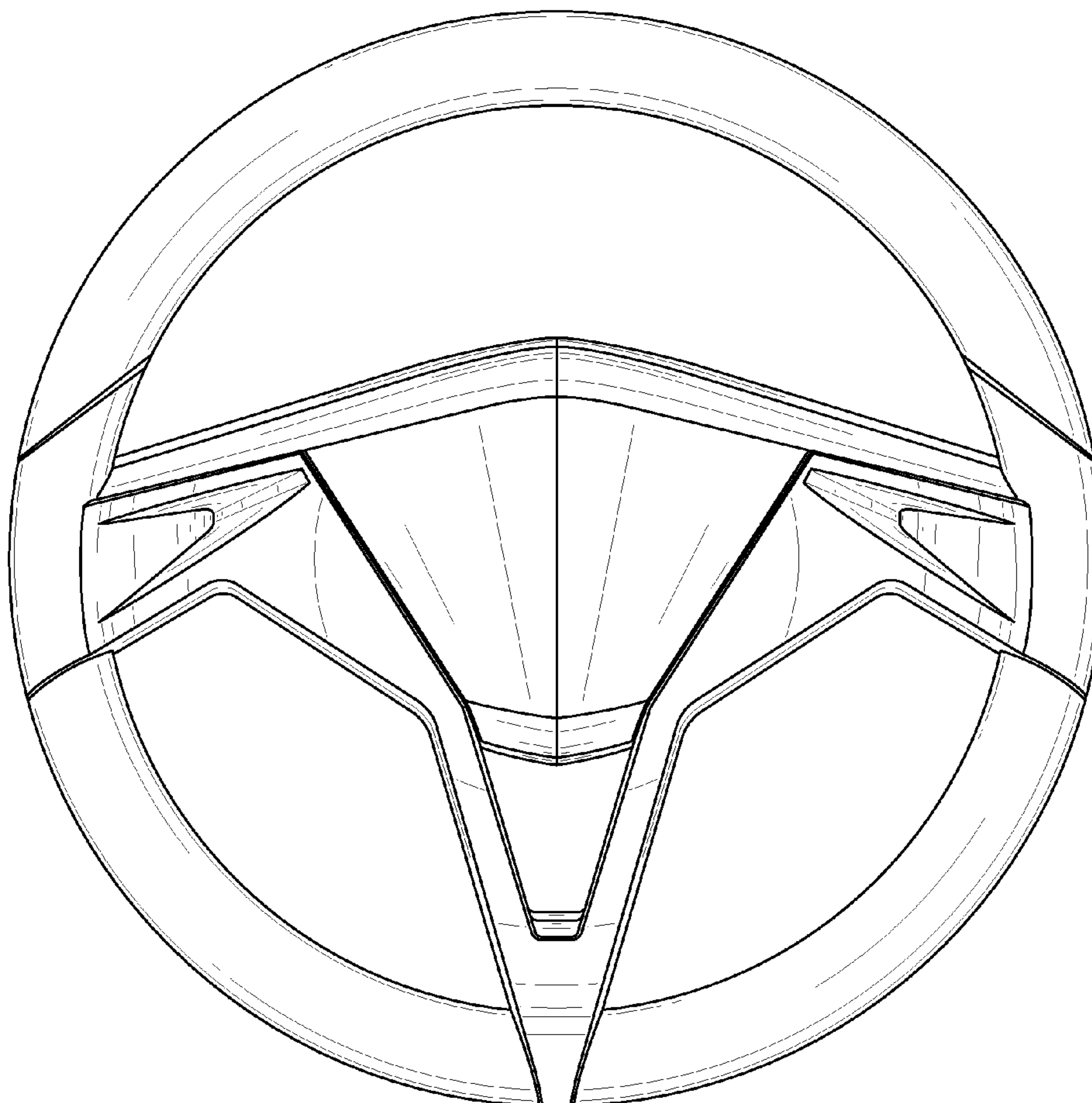
FIG. 1 is a top right perspective view of a steering wheel for a marine vehicle showing my design;
FIG. 2 is a front view thereof;
FIG. 3 is a rear view thereof;
FIG. 4 is a left side view thereof;
FIG. 5 is a right side view thereof;
FIG. 6 is a top view thereof; and,
FIG. 7 is a bottom view thereof.

(56) **References Cited**

U.S. PATENT DOCUMENTS

D476,930 S * 7/2003 Sieghart D12/176
D496,891 S * 10/2004 Pfeiffer D12/176

1 Claim, 5 Drawing Sheets



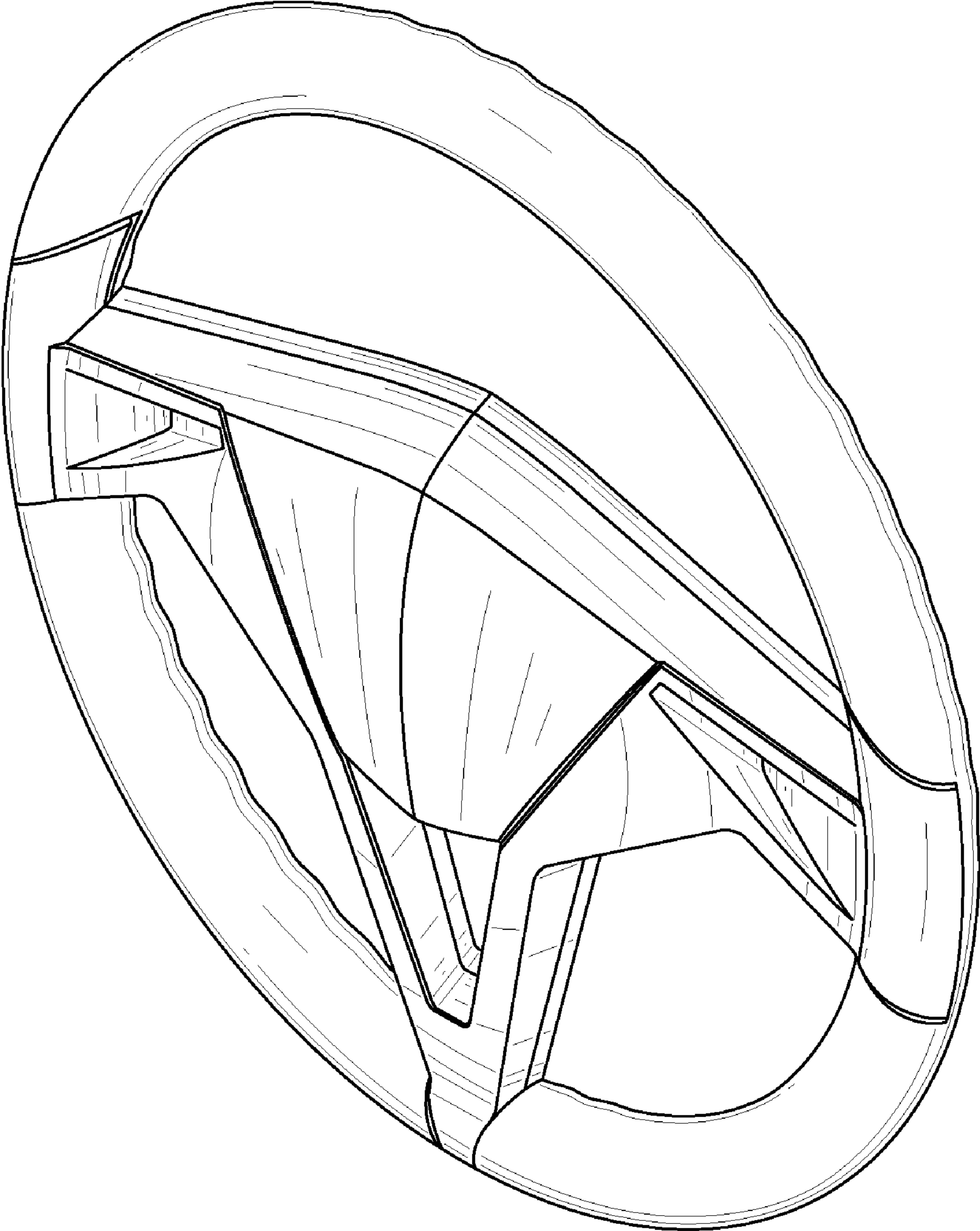


FIG. 1

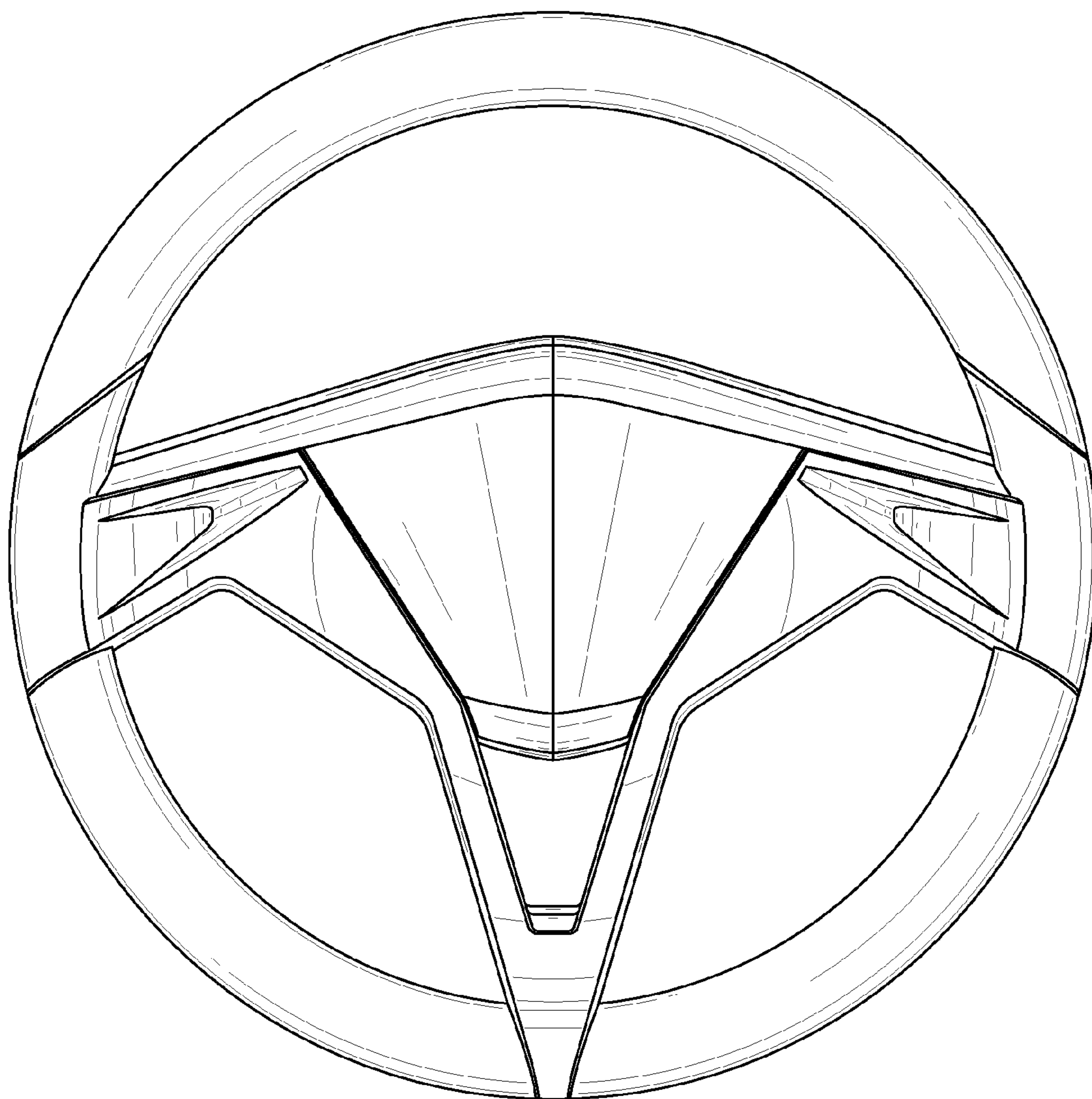


FIG. 2

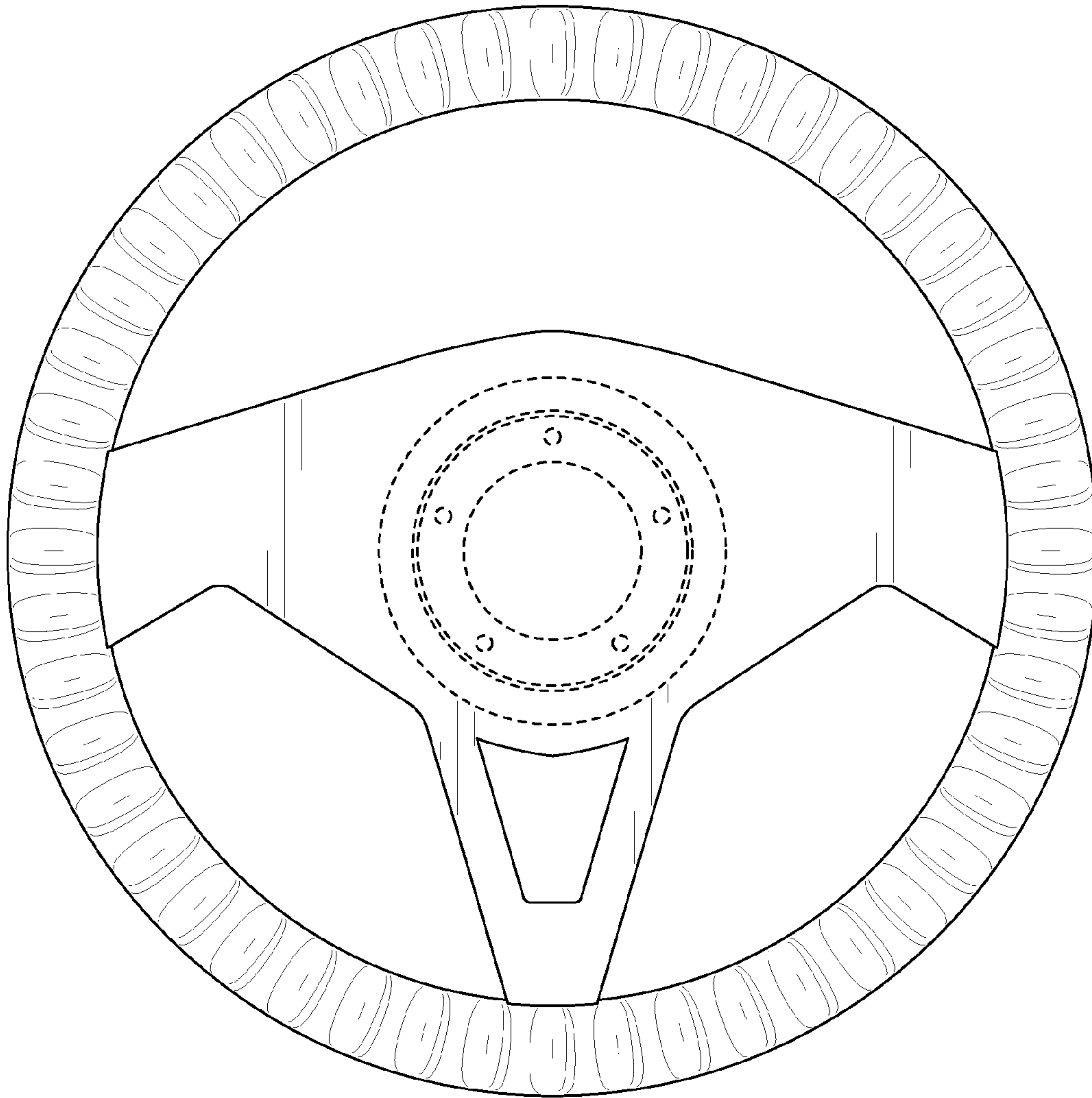


FIG. 3

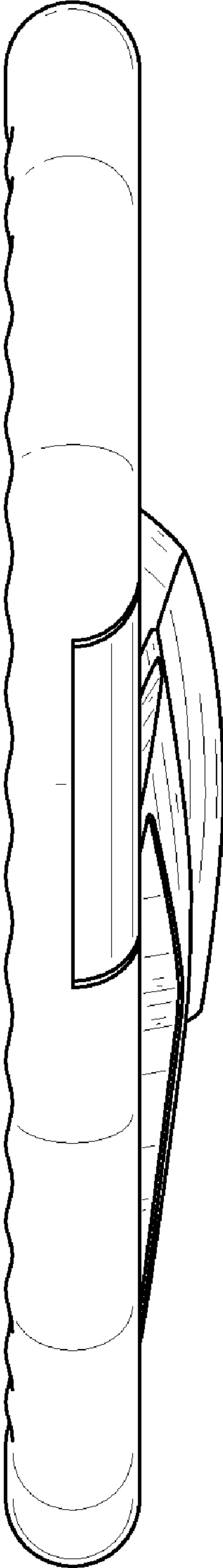


FIG. 4

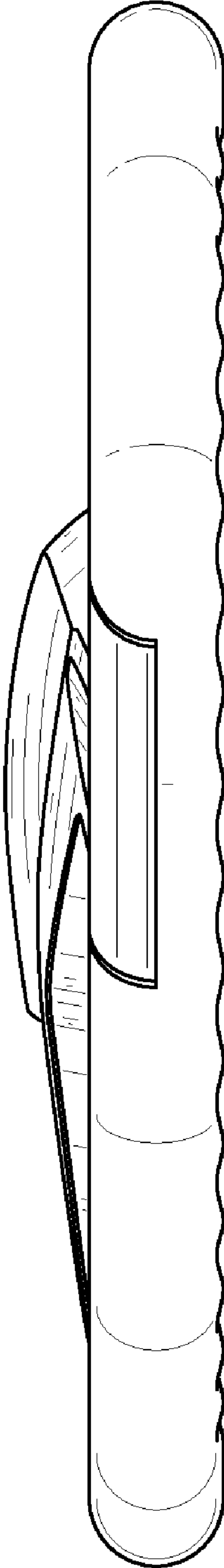


FIG. 5

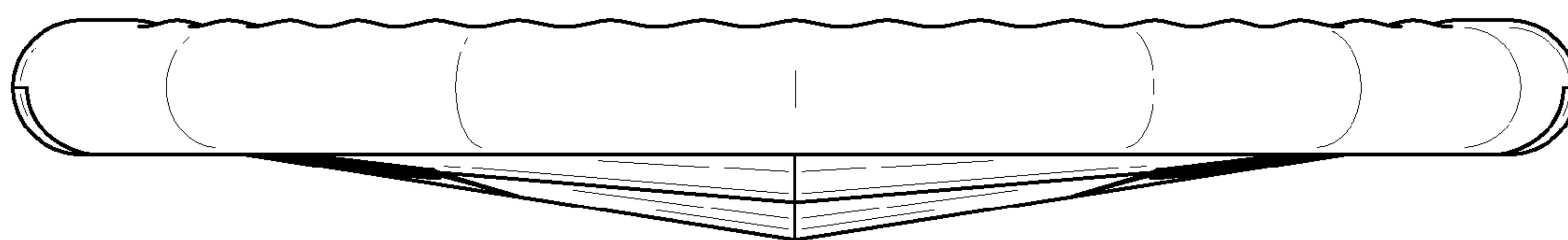


FIG. 6

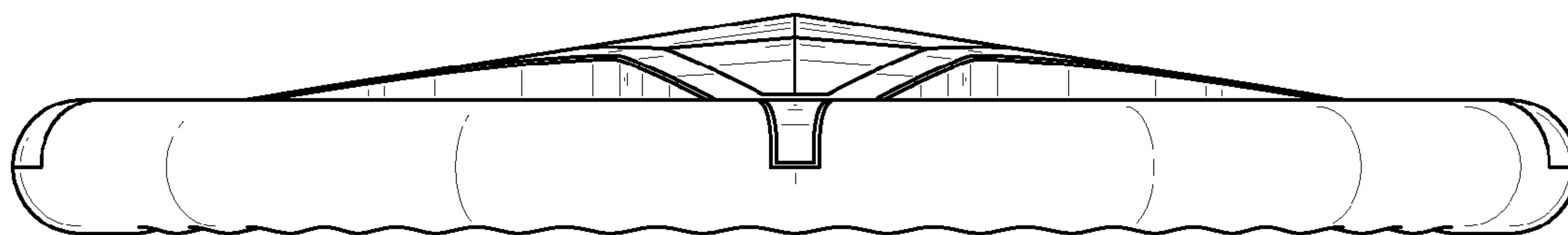


FIG. 7