



US00D635069S

(12) **United States Design Patent**
Klein et al.

(10) **Patent No.:** **US D635,069 S**
(45) **Date of Patent:** **** Mar. 29, 2011**

(54) **STEERING WHEEL**

(75) Inventors: **Thorsten Klein**, Grafenau (DE); **Martin Pohanka**, Stuttgart (DE)

(73) Assignee: **Dr. Ing. h.c. F. Porsche Aktiengesellschaft**, Stuttgart (DE)

(**) Term: **14 Years**

(21) Appl. No.: **29/367,821**

(22) Filed: **Aug. 13, 2010**

(30) **Foreign Application Priority Data**

Feb. 16, 2010 (EM) 001196224

(51) **LOC (9) Cl.** **12-16**

(52) **U.S. Cl.** **D12/176**

(58) **Field of Classification Search** D12/175,
D12/176; 74/552, 558, 558.5

See application file for complete search history.

(56) **References Cited**

U.S. PATENT DOCUMENTS

D476,930 S * 7/2003 Sieghart D12/176
D480,668 S * 10/2003 Ohm et al. D12/176

D511,485 S * 11/2005 Juraschek et al. D12/176
D552,017 S * 10/2007 Ganryu D12/176
D558,106 S * 12/2007 Prost-Fin et al. D12/176
D576,930 S * 9/2008 Franco Luis D12/176
D587,176 S * 2/2009 Yang et al. D12/176
D626,478 S * 11/2010 Stephenson D12/176

* cited by examiner

Primary Examiner — Melody N Brown

(74) *Attorney, Agent, or Firm* — RatnerPrestia

(57) **CLAIM**

The ornamental design for a steering wheel, as shown and described.

DESCRIPTION

FIG. 1 is a front perspective view of steering wheel showing my new design;

FIG. 2 is a top perspective view of the steering wheel;

FIG. 3 is a rear perspective view of the steering wheel.

FIG. 4 is a front elevation view of the steering wheel;

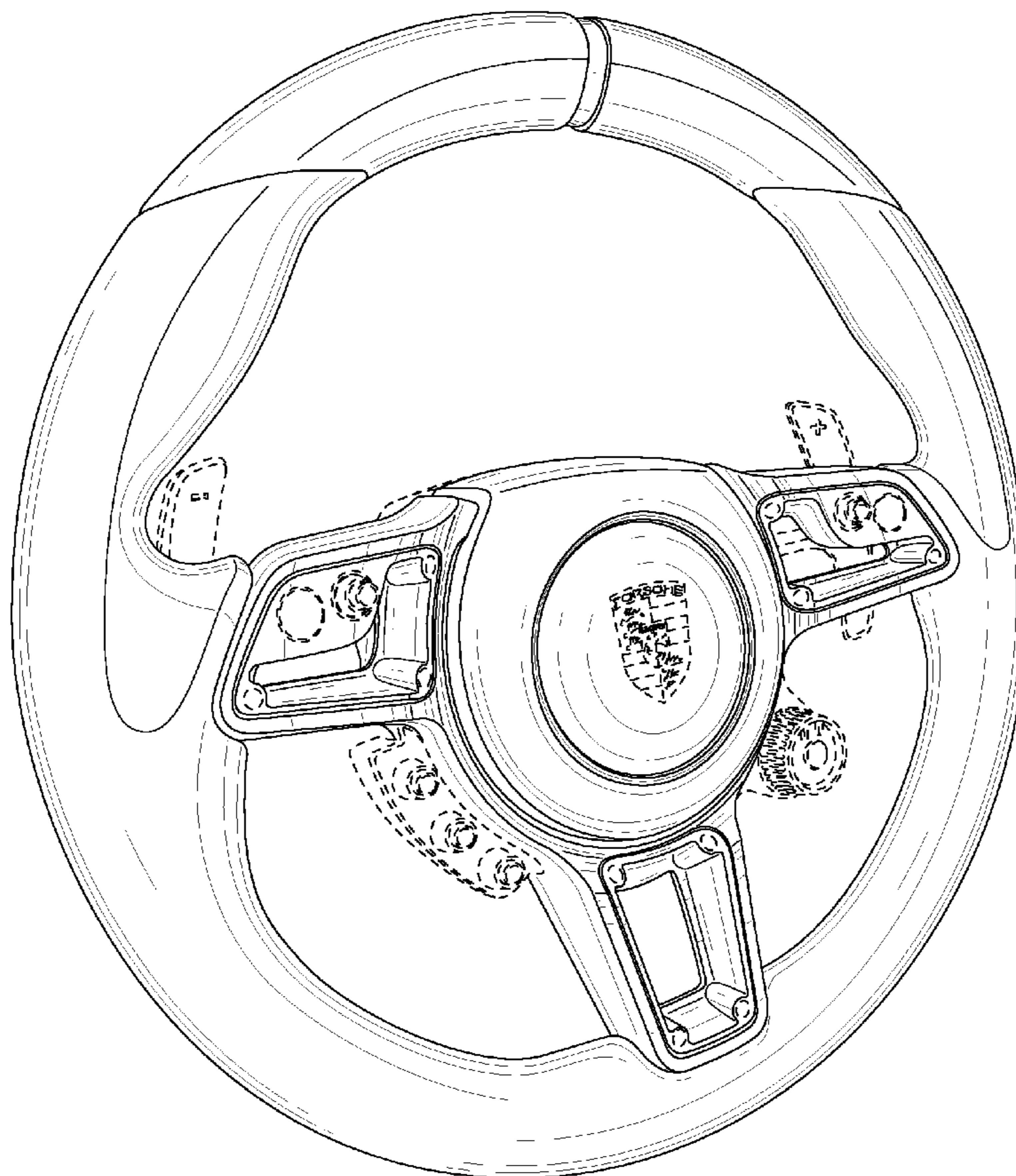
FIG. 5 is a rear elevation view of the steering wheel;

FIG. 6 is a right side elevation view of the steering wheel; and,

FIG. 7 is a left side elevation view of the steering wheel.

The broken lines are for illustration purposes only and form no part of the claimed design.

1 Claim, 7 Drawing Sheets



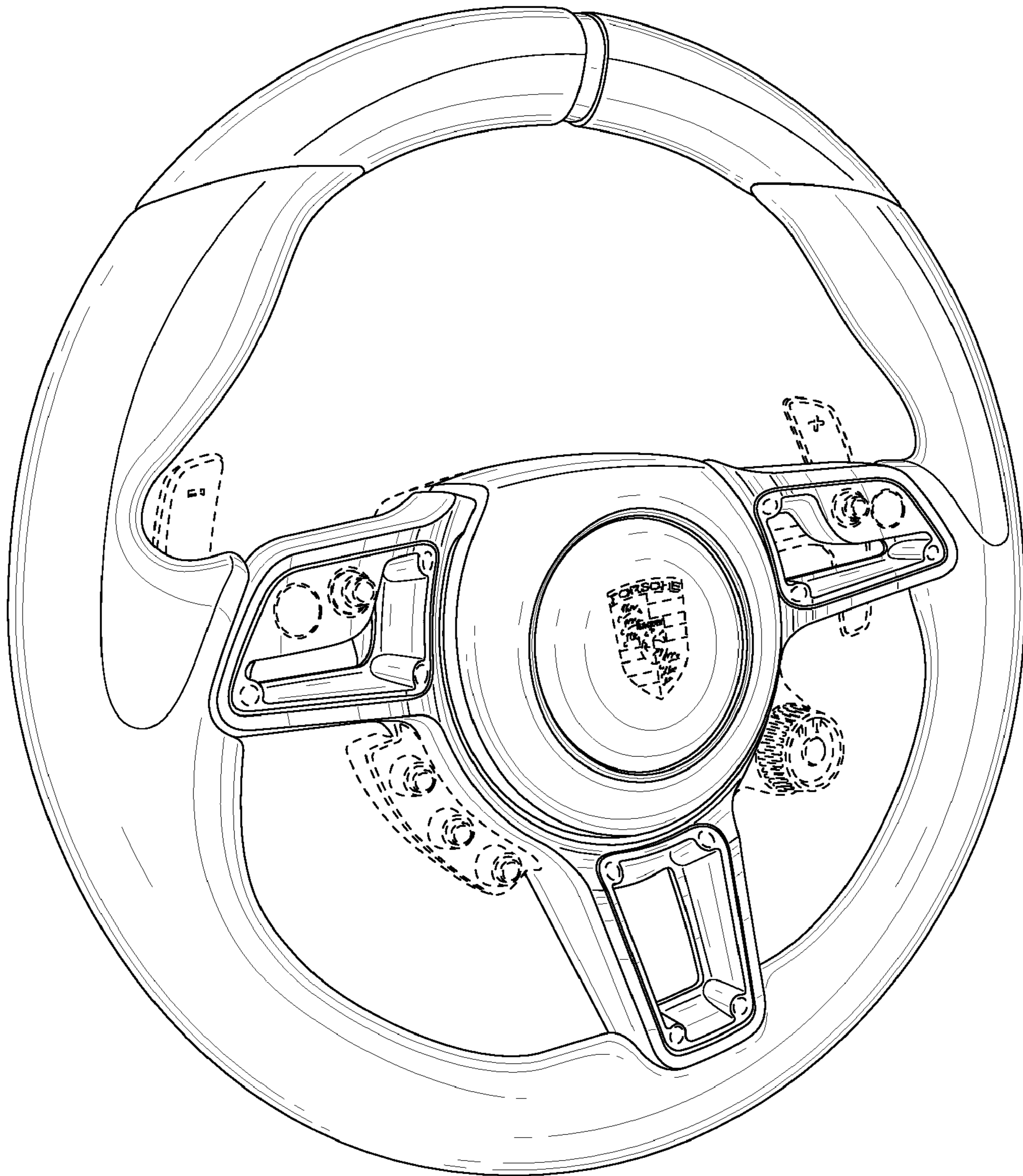


FIG. 1

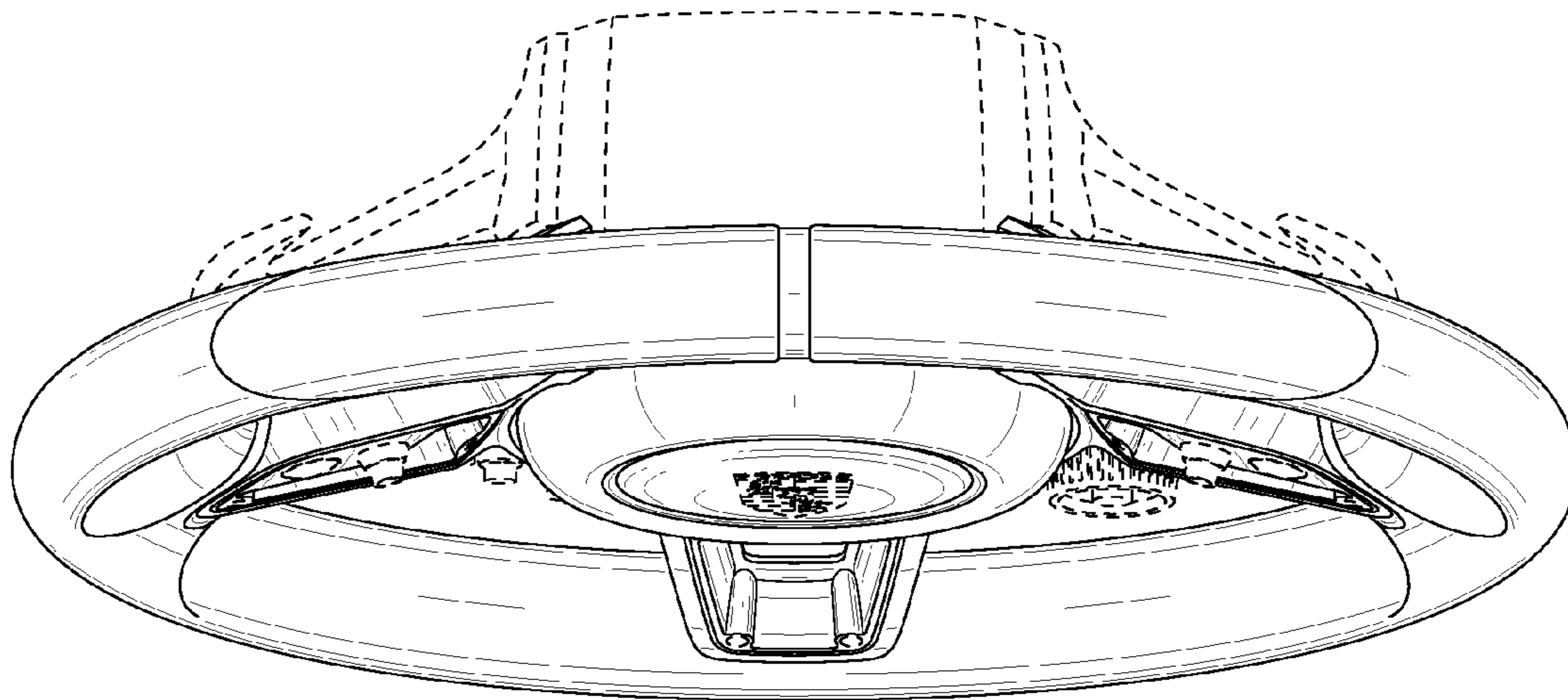


FIG. 2

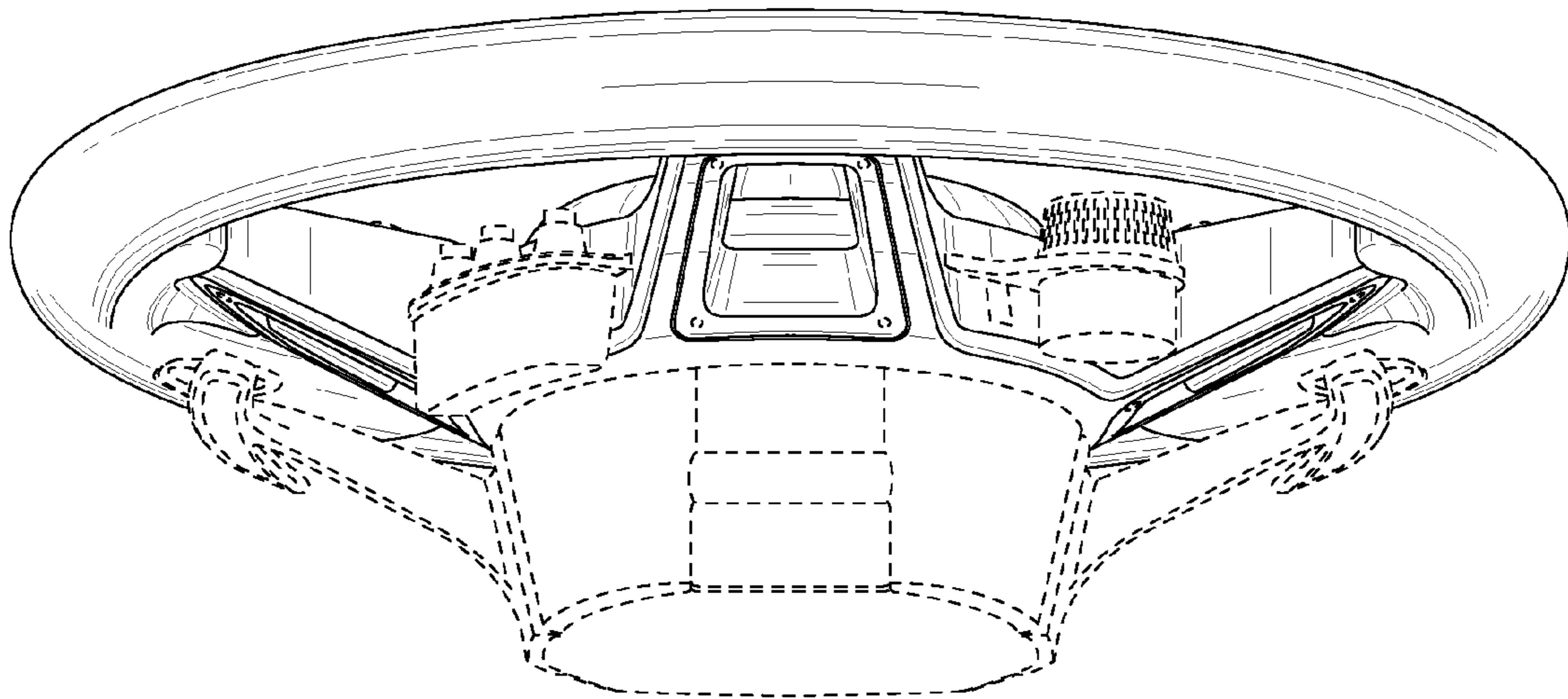


FIG. 3

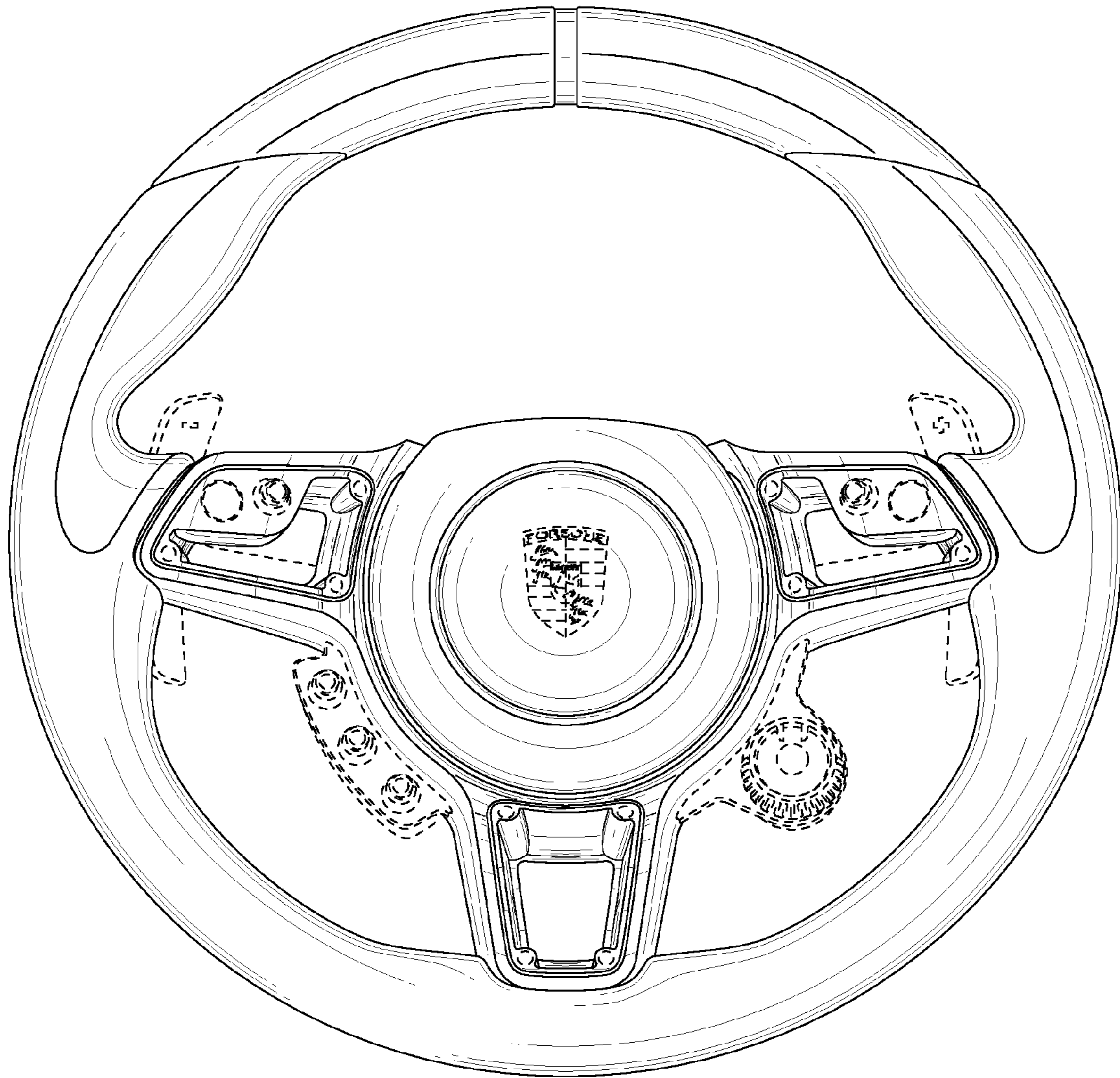


FIG. 4

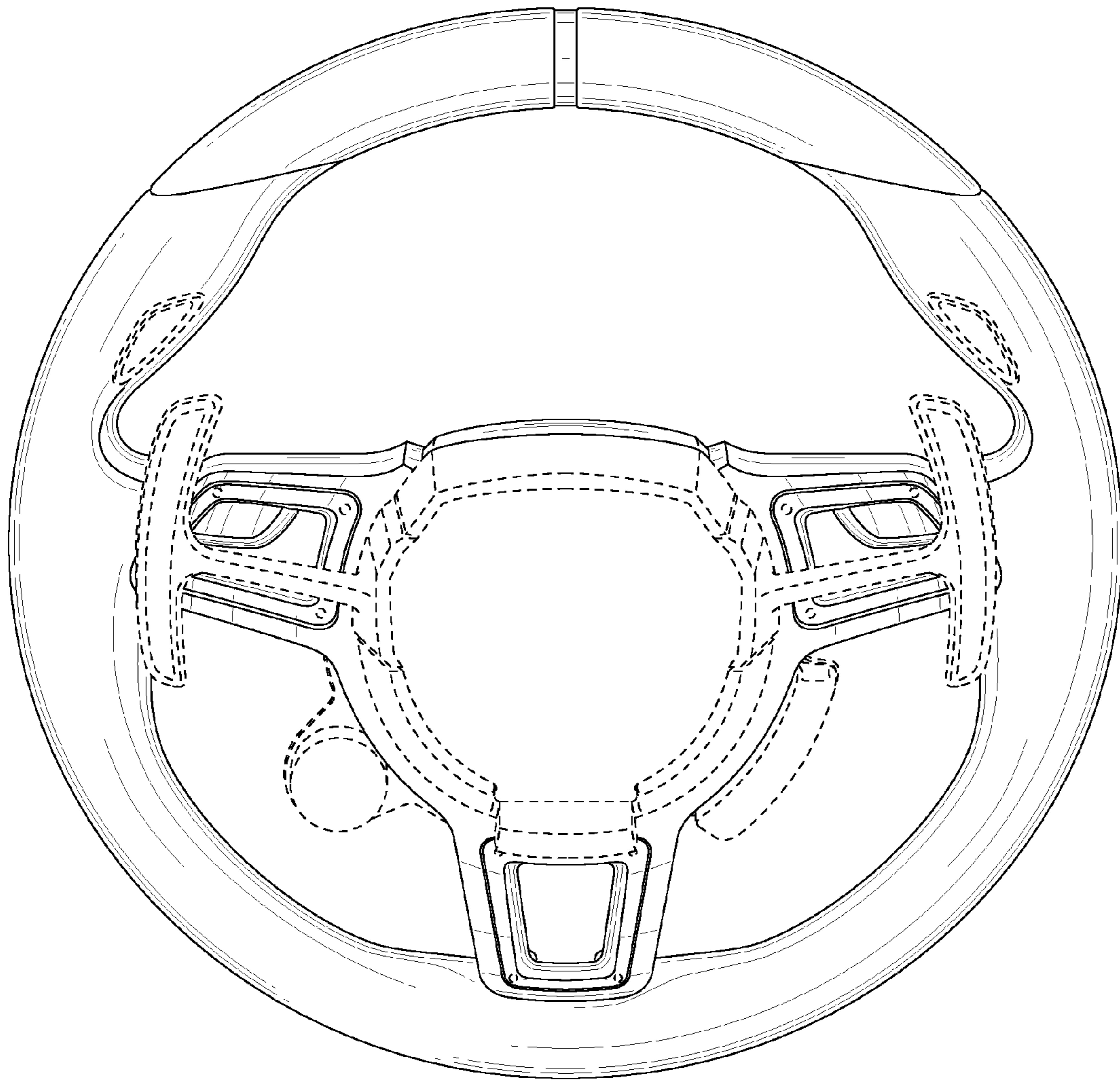


FIG. 5

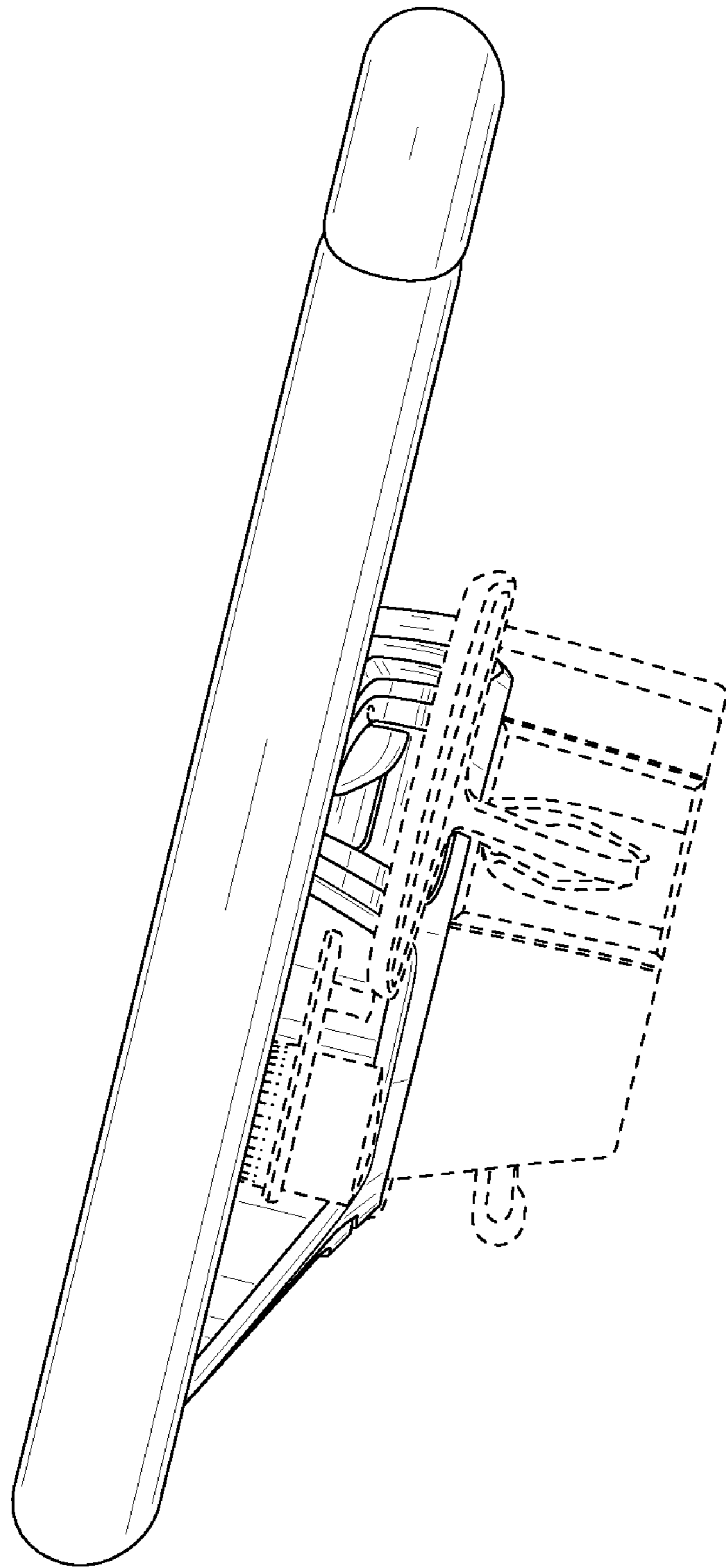


FIG. 6

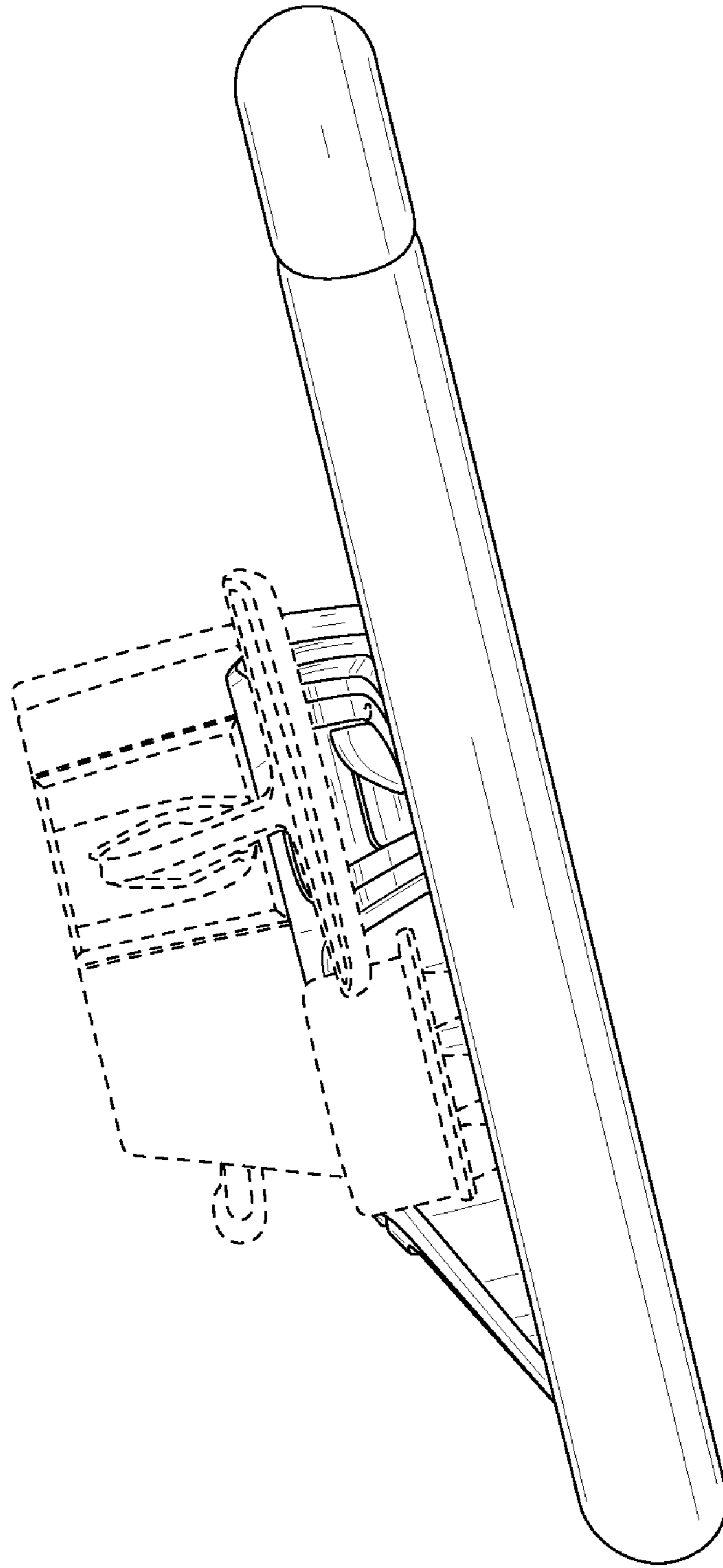


FIG. 7