



US00D635067S

(12) **United States Design Patent**
Kozai et al.

(10) **Patent No.:** **US D635,067 S**
(45) **Date of Patent:** **** Mar. 29, 2011**

(54) **FRONT BUMPER FOR AN AUTOMOBILE**

(75) Inventors: **Shigetoshi Kozai**, Kariya (JP);
Yoshiyasu Neuchi, Kariya (JP)
(73) Assignee: **Toyota Jidosha Kabushiki Kaisha** (JP)

(**) Term: **14 Years**

(21) Appl. No.: **29/358,636**

(22) Filed: **Mar. 30, 2010**

(51) **LOC (9) Cl.** **12-16**

(52) **U.S. Cl.** **D12/169**

(58) **Field of Classification Search** D12/169,
D12/196, 171, 216, 163, 86, 90-92; 293/102,
293/113, 115, 117, 120; 296/180.1, 180.2

See application file for complete search history.

(56) **References Cited**

U.S. PATENT DOCUMENTS

D585,344 S *	1/2009	Tomita et al.	D12/169
D591,210 S *	4/2009	Woolley et al.	D12/169
D600,602 S *	9/2009	Endoh	D12/169
D610,502 S *	2/2010	Bucher et al.	D12/169
D625,671 S *	10/2010	Kim et al.	D12/169

OTHER PUBLICATIONS

Ford Focus, Ford Motor Corporation, Auto Car, Haymarket, Jan. 7, 2010.

Mercedes Benz E500 AMG, Mercedes Benz, Motor Magazine, Mar. 2009.

* cited by examiner

Primary Examiner — Melody N Brown

(74) *Attorney, Agent, or Firm* — SAIDMAN DesignLaw Group

(57) **CLAIM**

The ornamental design for a front bumper for an automobile, as shown and described.

DESCRIPTION

FIG. 1 is a front, perspective view of a front bumper for an automobile showing our new design;
FIG. 2 is a front view thereof;
FIG. 3 is a top view thereof;
FIG. 4 is a bottom view thereof;
FIG. 5 is a left-side view thereof; and,
FIG. 6 is a right-side view thereof.

1 Claim, 2 Drawing Sheets

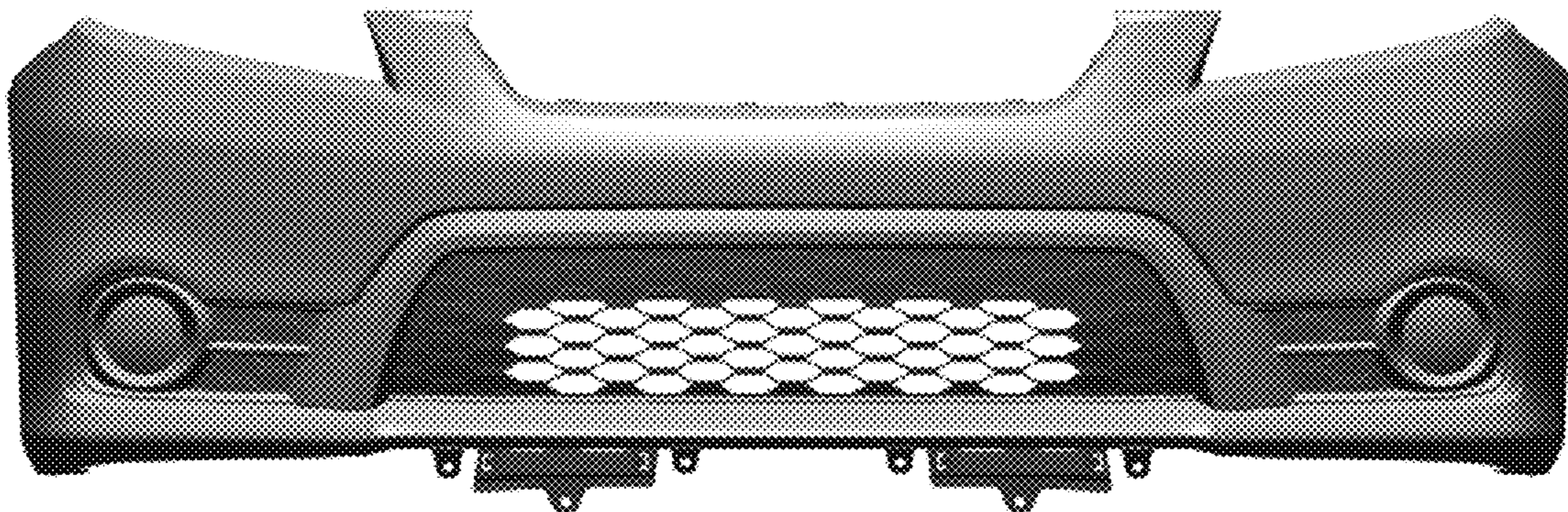


Fig. 1

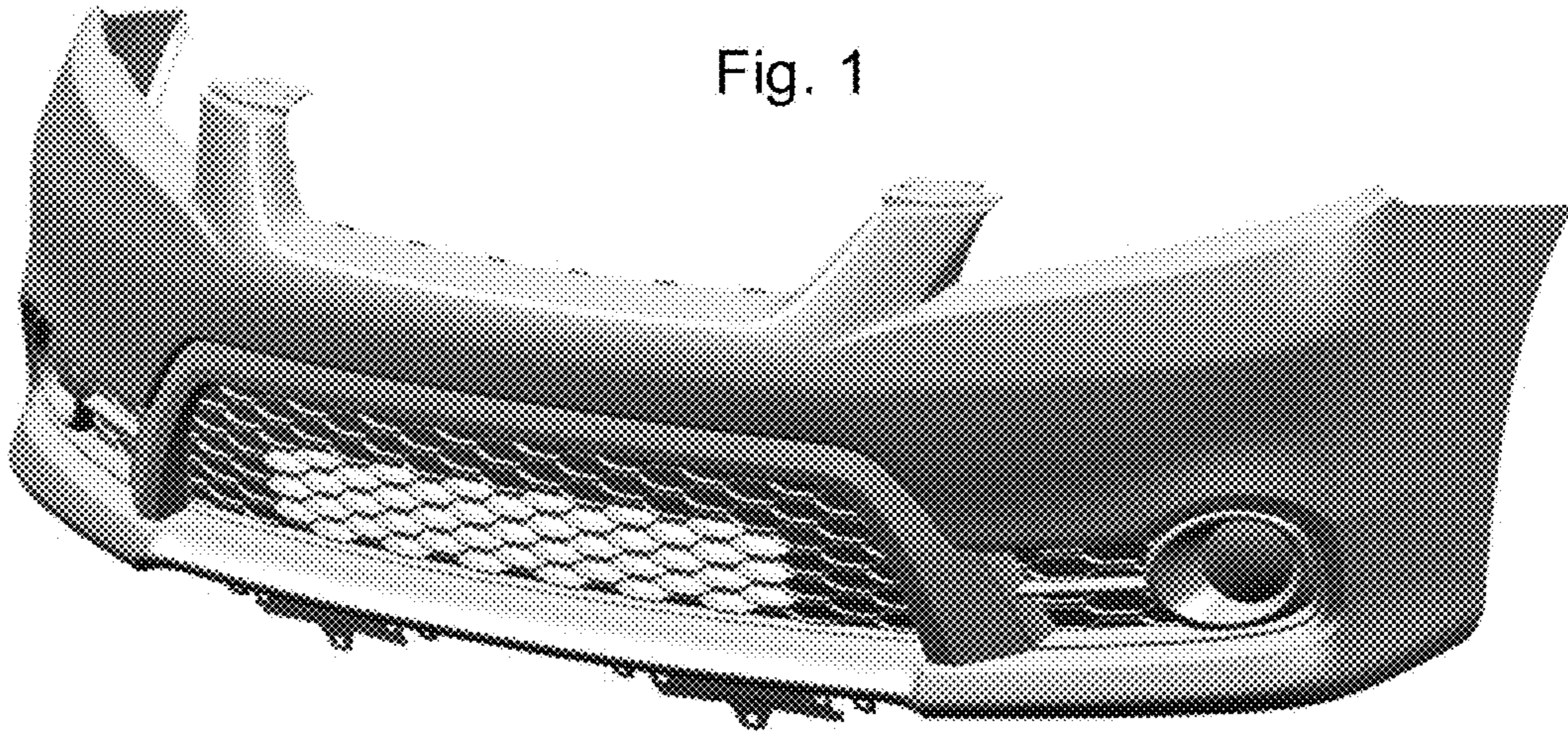


Fig. 2

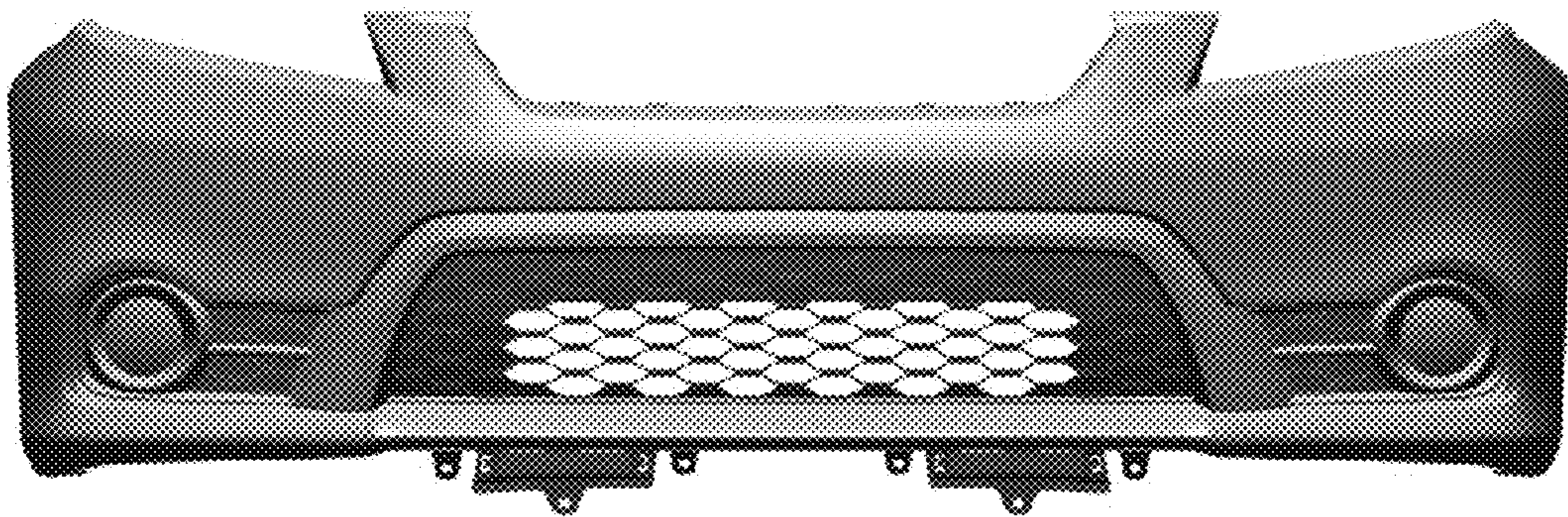


Fig. 3

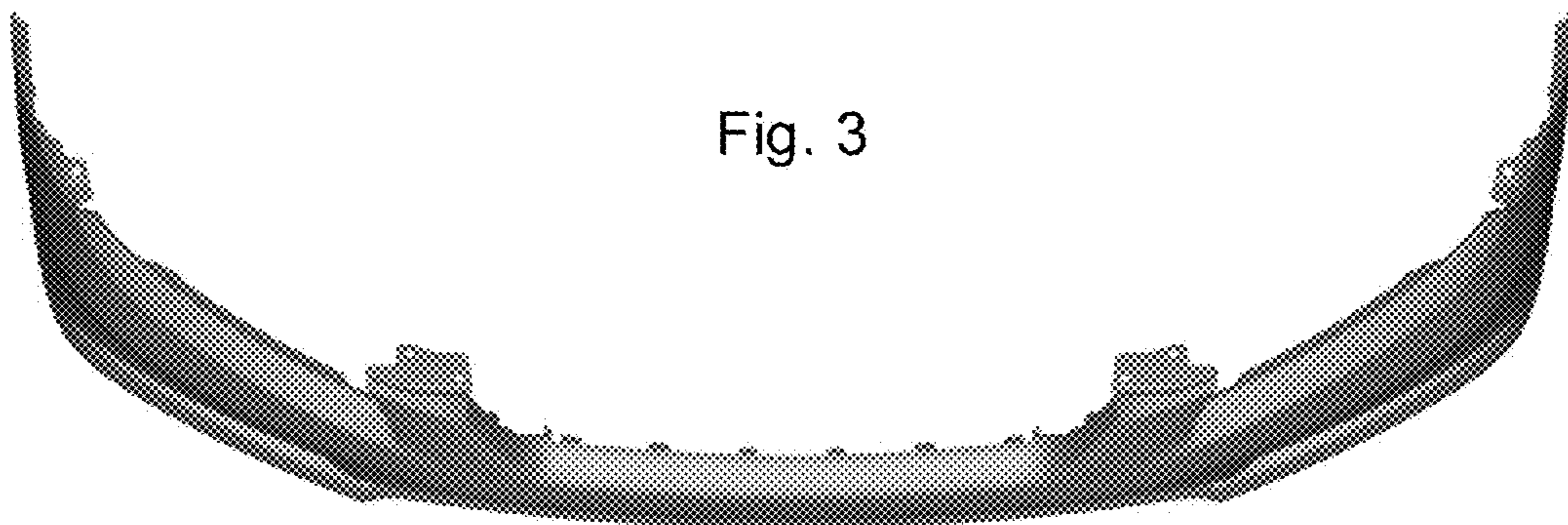


Fig. 4

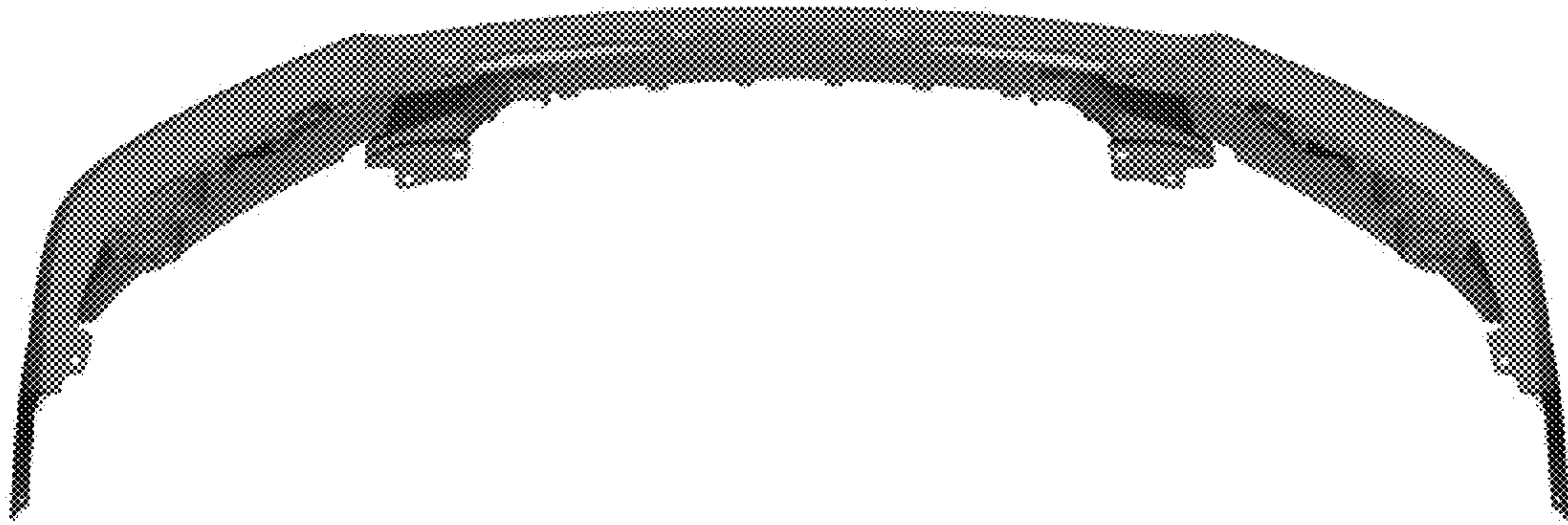


Fig. 5

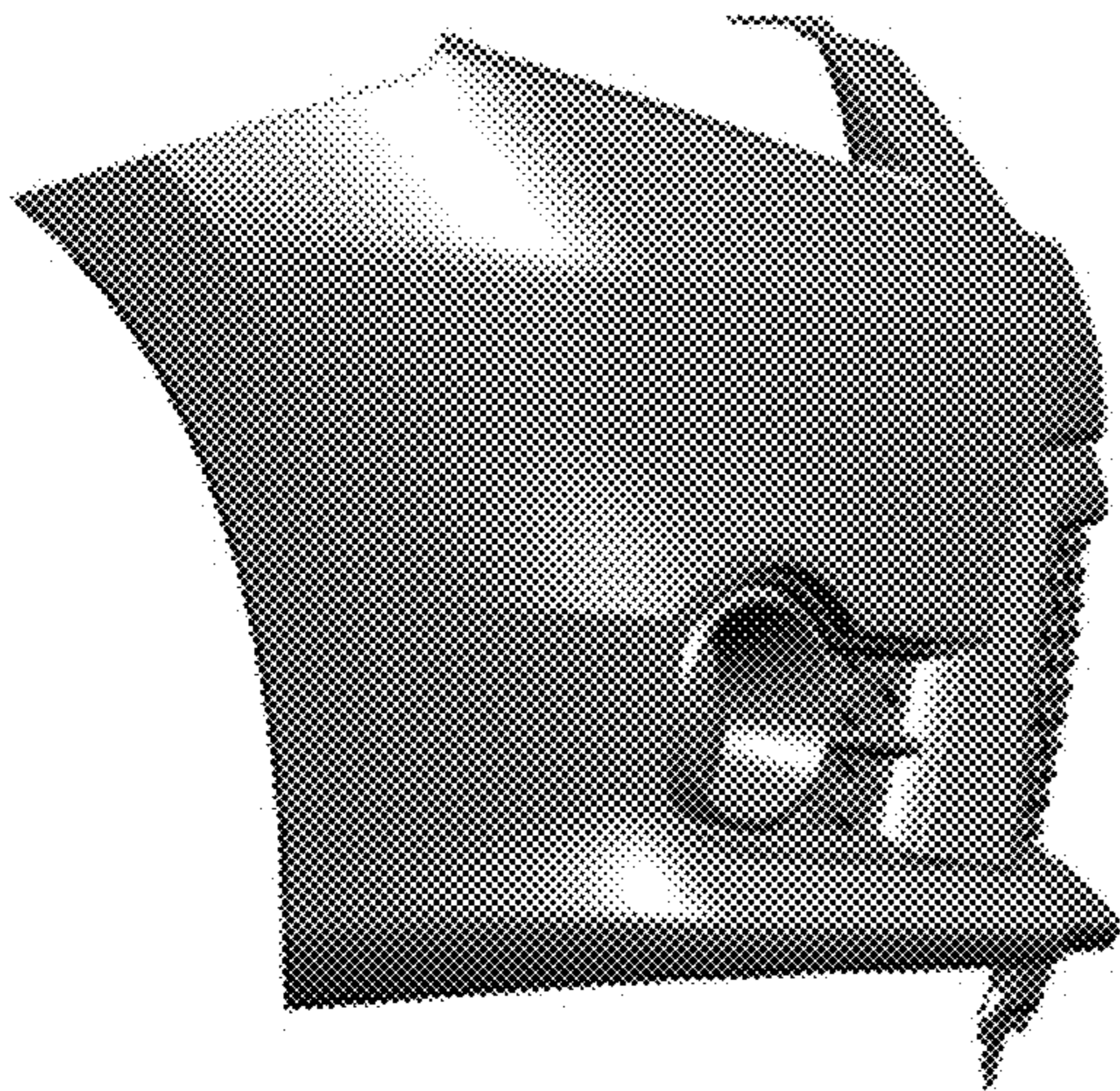


Fig. 6

