



US00D635064S

(12) **United States Design Patent**
Schachte

(10) **Patent No.:** **US D635,064 S**

(45) **Date of Patent:** **** *Mar. 29, 2011**

(54) **LANDING GEAR ADAPTER FOR TRAILER CHASSIS**

(75) **Inventor:** **Frank C. Schachte**, Charleston, SC (US)

(73) **Assignee:** **Stackable Chassis International, LLC**, Charleston, SC (US)

(**) **Term:** **14 Years**

(21) **Appl. No.:** **29/338,716**

(22) **Filed:** **Jun. 17, 2009**

(51) **LOC (9) Cl.** **12-16**

(52) **U.S. Cl.** **D12/159**

(58) **Field of Classification Search** D12/159, D12/162, 400, 172, 177, 196; 280/416.1, 280/446.1, 482, 491.3, 498, 499, 507, 509, 280/511-513, 656, 1.21; D15/17; 188/17
See application file for complete search history.

(56) **References Cited**

U.S. PATENT DOCUMENTS

D59,792 S	11/1921	Taylor	
1,538,297 A	5/1925	Mitchell	
1,949,156 A	2/1934	Francis et al.	
D113,566 S *	2/1939	Landis	D12/400
3,572,752 A	3/1971	Harp	
3,580,627 A	5/1971	Underwood	
3,611,949 A	10/1971	Peisner	
D233,035 S *	10/1974	Donne	D25/121
3,841,509 A	10/1974	Chisum	
4,015,382 A *	4/1977	Noyes	52/211
4,066,289 A	1/1978	Gargour	
4,108,472 A	8/1978	Weir	
D251,507 S *	4/1979	Maricic	D25/124
D262,404 S *	12/1981	Bittner	D25/119
4,402,526 A *	9/1983	Huetsch	280/766.1
4,561,671 A	12/1985	DeWitt et al.	
4,566,714 A	1/1986	DeWitt et al.	

4,580,805 A	4/1986	Bertolini	
4,611,962 A	9/1986	Braly et al.	
4,642,954 A *	2/1987	Sigerist	52/211
4,836,735 A	6/1989	Dennehy, Jr. et al.	
D307,019 S	4/1990	Rosenblad	
4,952,118 A	8/1990	MacMillan	
4,969,659 A	11/1990	Ehrlich	
4,986,705 A	1/1991	Durkin	
D365,572 S	12/1995	Cerny et al.	
5,662,450 A	9/1997	Roberts	
5,794,960 A	8/1998	Sill	
5,873,593 A	2/1999	Gesuale	
5,934,695 A	8/1999	Rowland	
6,186,533 B1	2/2001	Alaniz	

(Continued)

FOREIGN PATENT DOCUMENTS

WO 99/22958 5/1999

Primary Examiner — Cynthia Underwood

(74) *Attorney, Agent, or Firm* — Dority & Manning, P.A.

(57) **CLAIM**

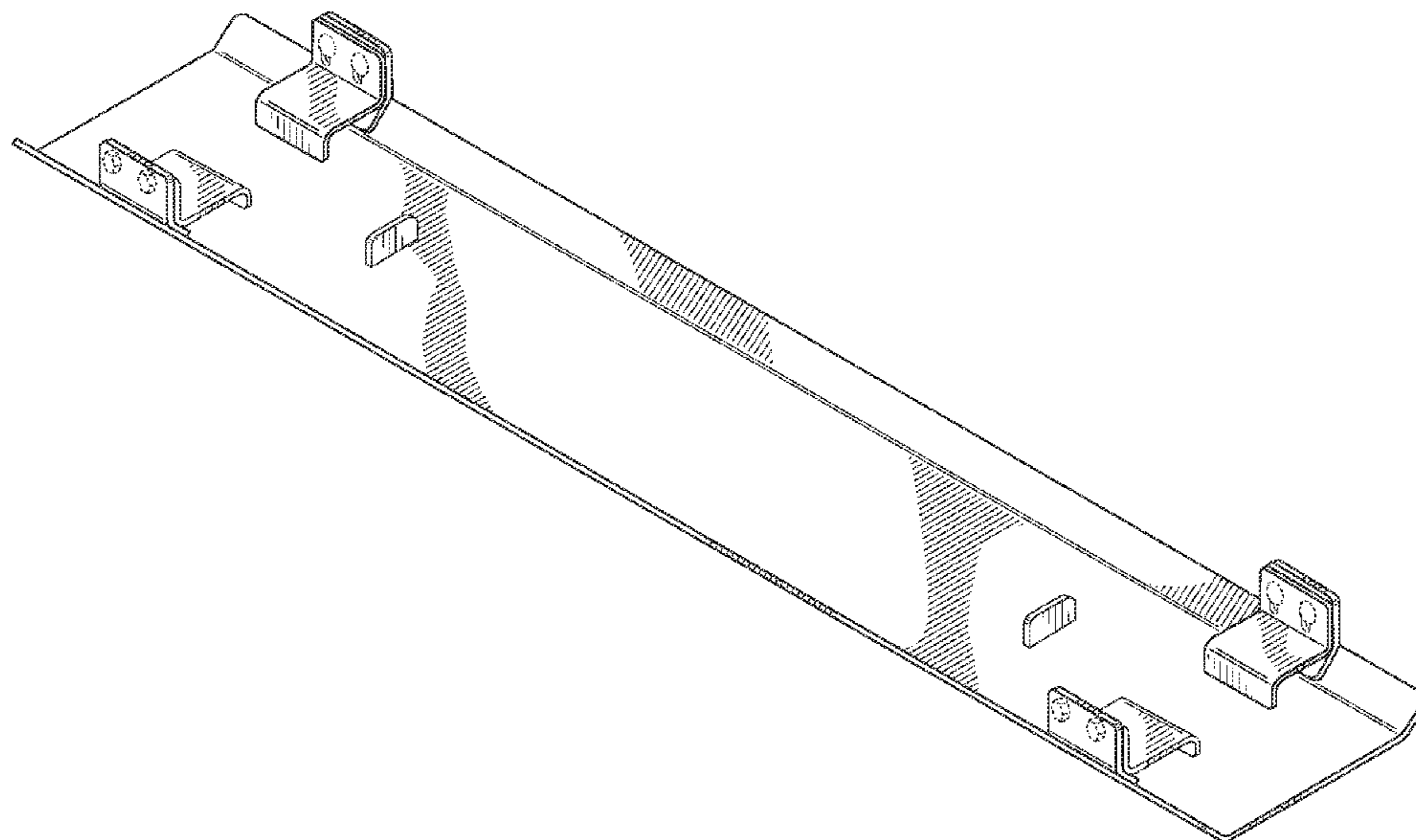
The ornamental design for a landing gear adapter for trailer chassis, as shown and described.

DESCRIPTION

FIG. 1. is a perspective view of a landing gear adapter for trailer chassis according to the present design; FIG. 2 is a front side view of the adapter of FIG. 1; FIG. 3 is a back side view of the adapter of FIG. 1; FIG. 4 is a top side view of the adapter of FIG. 1; FIG. 5 is a bottom side view of the adapter of FIG. 1; FIG. 6 is a right side view of the adapter of FIG. 1; FIG. 7 is a left side view of the adapter of FIG. 1; and, FIG. 8 is an alternate perspective view of the adapter of FIG. 1.

The broken lines represent environment and form no part of the claim.

1 Claim, 5 Drawing Sheets



US D635,064 S

Page 2

U.S. PATENT DOCUMENTS

6,241,438	B1	6/2001	Corbett et al.				
6,386,807	B1	5/2002	Rowland				
D462,037	S *	8/2002	Pancheri et al.	D12/162		
D462,300	S	9/2002	Cerny et al.				
6,997,022	B1	2/2006	Demange				
D531,946	S *	11/2006	Angelo et al.	D12/196		
D531,948	S *	11/2006	Angelo et al.	D12/196		
D532,731	S	11/2006	Angelo et al.				
7,222,872	B1	5/2007	Bauder				
D547,244	S	7/2007	Munger				
D576,085	S *	9/2008	Devlin	D12/162		
D611,647	S *	3/2010	Coplin et al.	D26/120		
7,699,346	B2 *	4/2010	Wehner et al.	280/784		
7,775,544	B2	8/2010	Bouwkamp				
2006/0171791	A1	8/2006	Nichols				
2006/0269379	A1	11/2006	Orr et al.				
2007/0140818	A1	6/2007	Hammar				

* cited by examiner

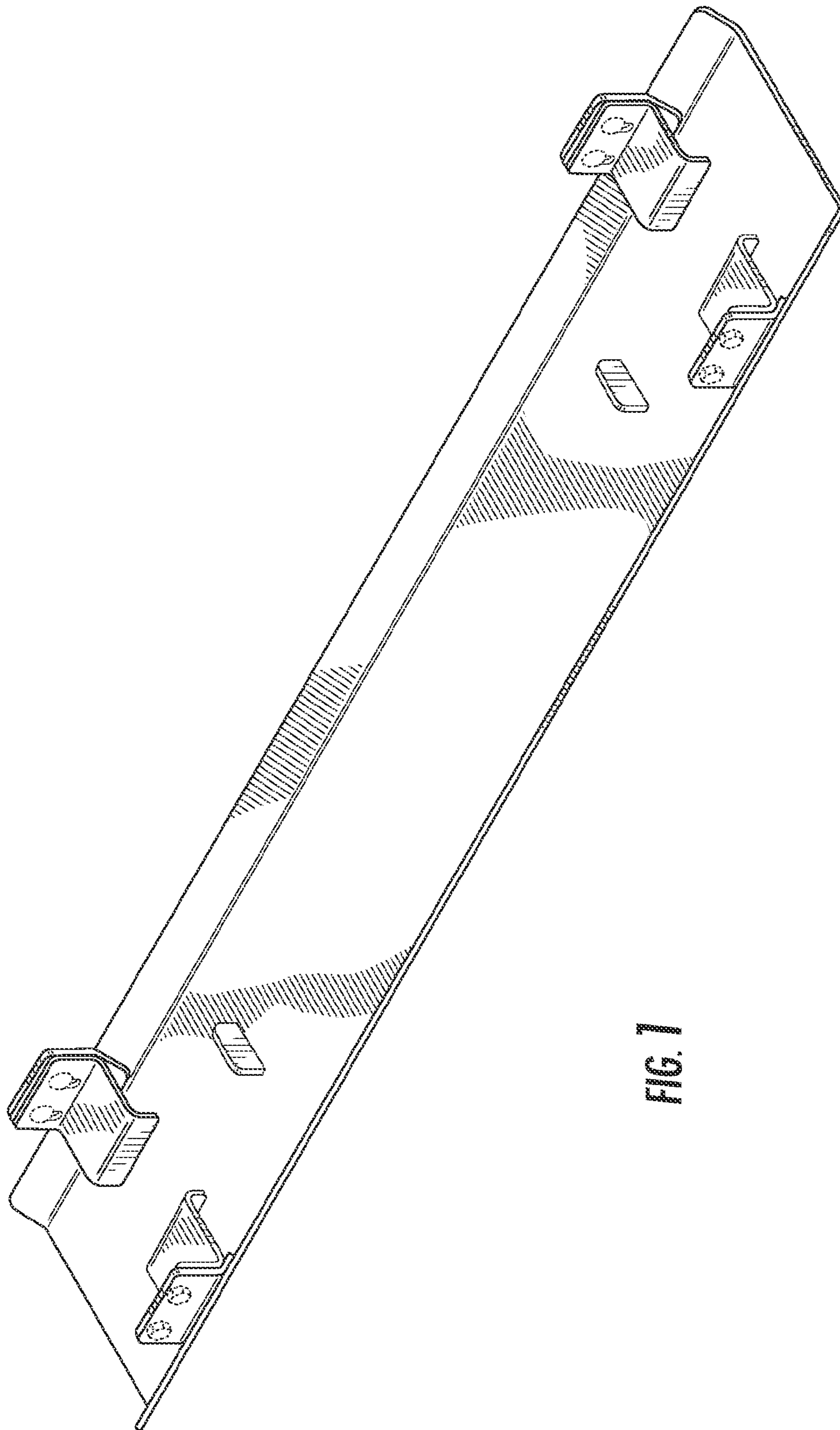


FIG. 1

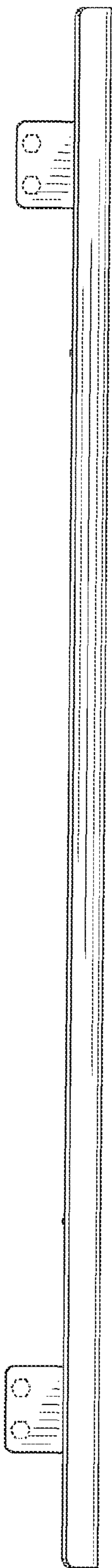


FIG. 2

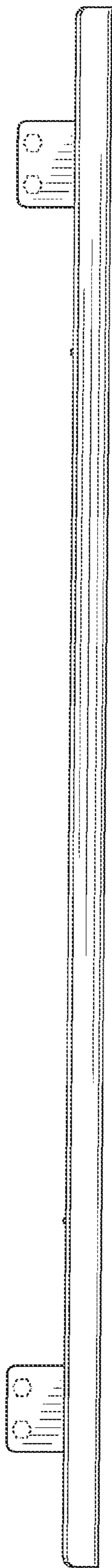


FIG. 3

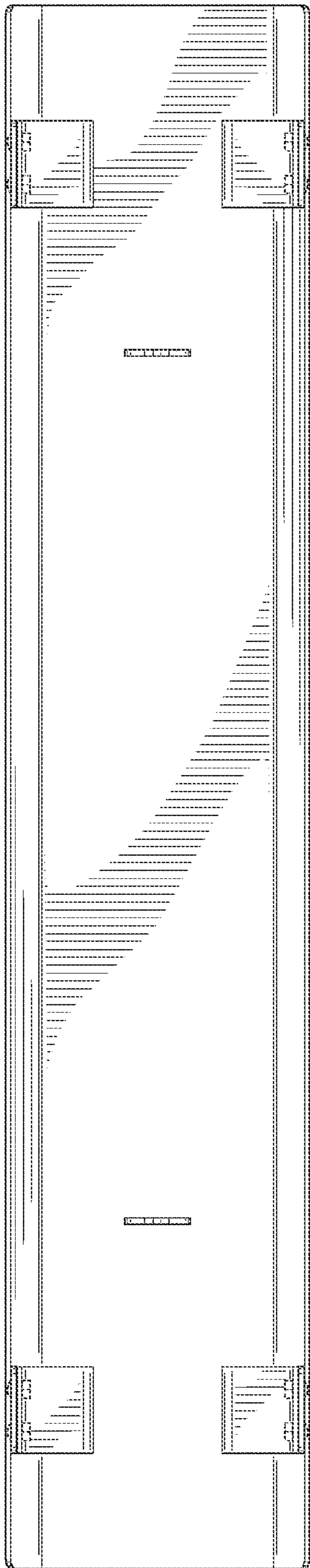


FIG. 4

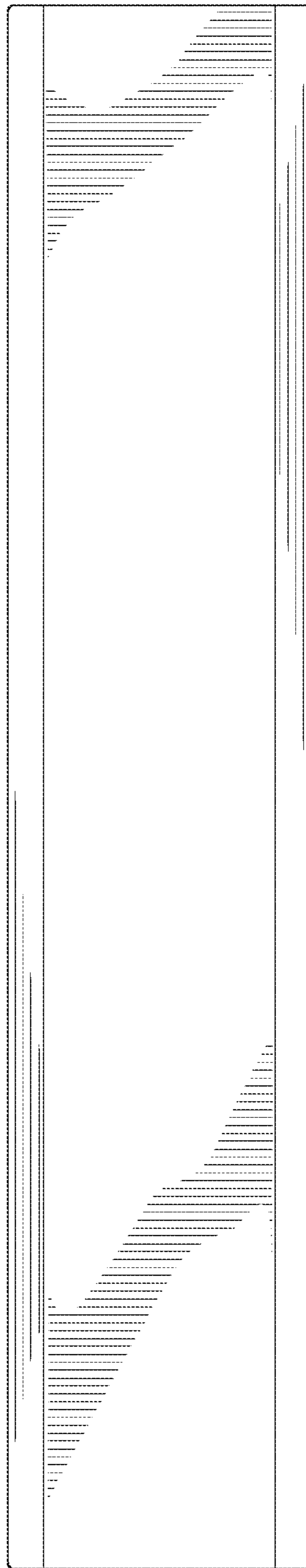


FIG. 5

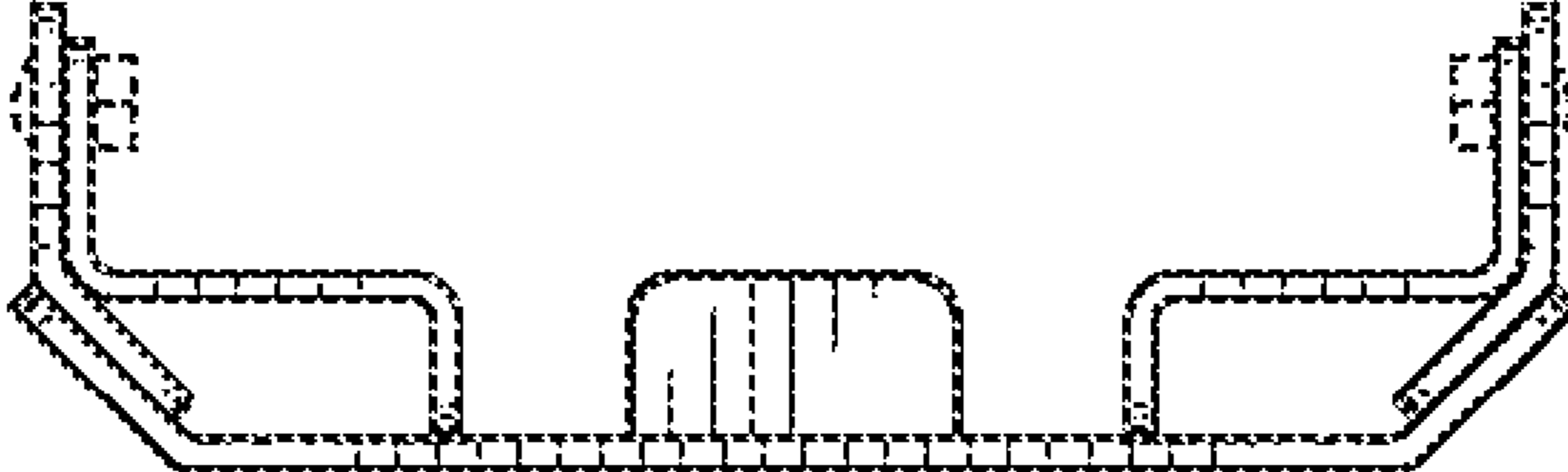


FIG. 6

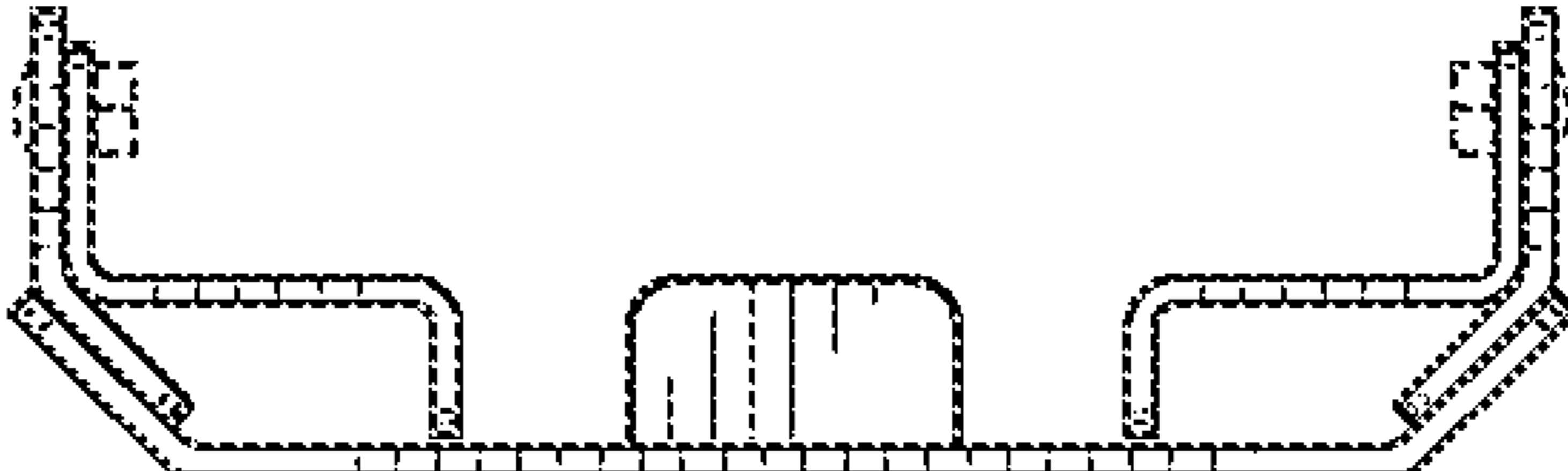


FIG. 7

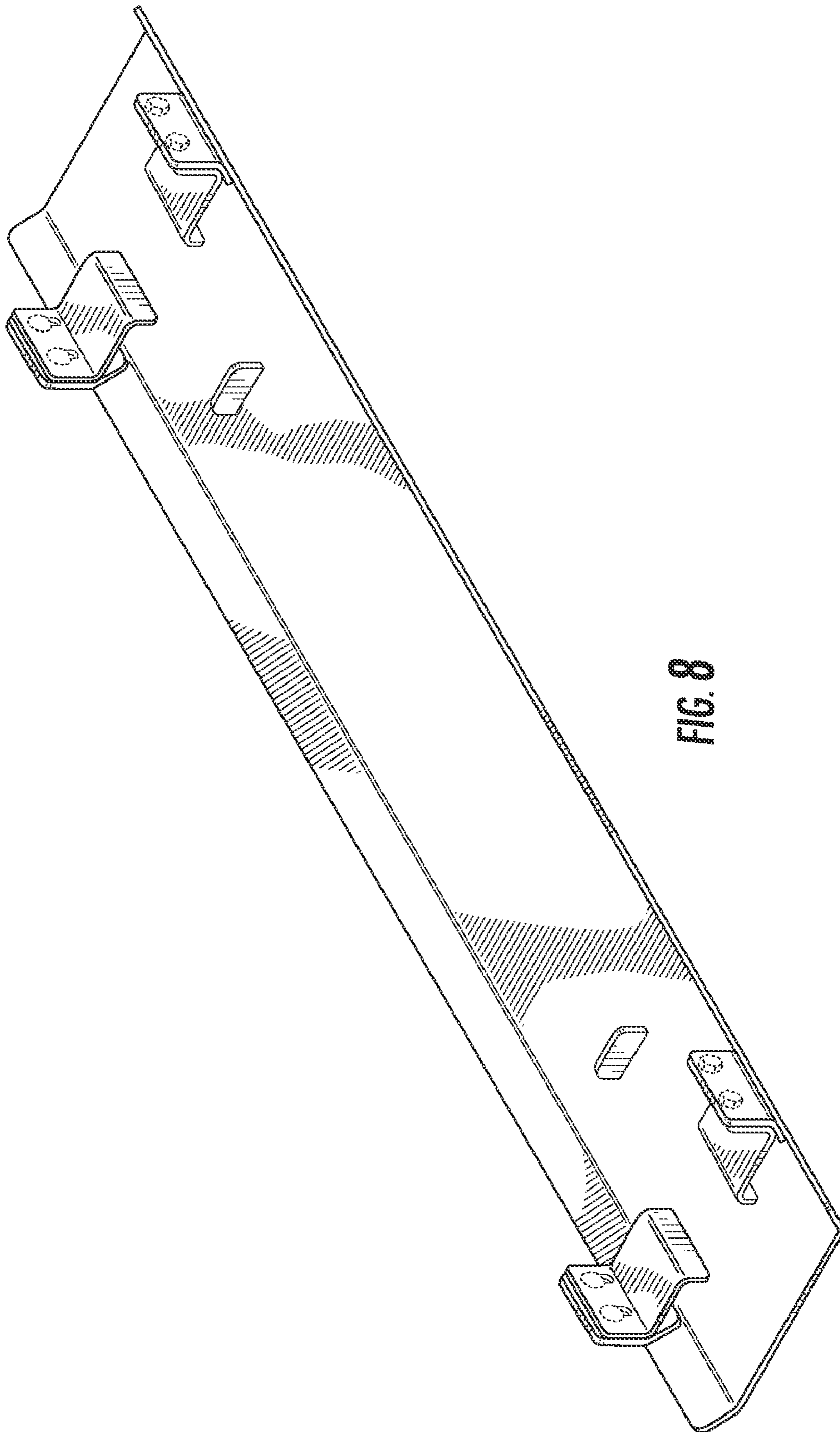


FIG. 8