



US00D635061S

(12) **United States Design Patent**
Moe

(10) **Patent No.:** **US D635,061 S**
(45) **Date of Patent:** **** Mar. 29, 2011**

(54) **MOTORCYCLE FRAME NECK COVER**

(75) Inventor: **Stuart R. Moe**, Dresser, WI (US)

(73) Assignee: **Kuryakyn Holdings, LLC**, Somerset, WI (US)

(**) Term: **14 Years**

(21) Appl. No.: **29/348,689**

(22) Filed: **Jan. 28, 2010**

(51) **LOC (9) Cl.** **12-11**

(52) **U.S. Cl.** **D12/126**

(58) **Field of Classification Search** D12/126,
D12/127, 110, 114, 117, 118; 123/195 C,
123/198 R, 198 E; 280/288.4, 304.3, 304.4,
280/274, 847, 848; 180/219

See application file for complete search history.

(56) **References Cited**

U.S. PATENT DOCUMENTS

D423,415 S * 4/2000 McKay D12/114
D591,207 S * 4/2009 Madden D12/117
D594,791 S * 6/2009 Million D12/126
7,762,586 B2 * 7/2010 Leisch 280/770

OTHER PUBLICATIONS

2000 Kuryakyn Catalog—Neck Covers, p. 66, (2 pgs.).

2004 Kuryakyn Catalog—Leading Accessories for Gold Wing & Metric Cruisers, p. 73, (3 pgs.).

2008 Kuryakyn Catalog—Accessories for Harley 2008, pp. 89, 90 and 91 (4 pgs.).

* cited by examiner

Primary Examiner — Philip S Hyder

Assistant Examiner — Linda G. Brooks

(74) *Attorney, Agent, or Firm* — Dicke, Billig & Czaja, PLLC

(57) **CLAIM**

The ornamental design for a motorcycle frame neck cover, as shown and described.

DESCRIPTION

FIG. 1 is a front perspective view of a motorcycle frame neck cover of the present invention.

FIG. 2 is a front elevation view thereof.

FIG. 3 is a rear elevation view thereof.

FIG. 4 is a top view thereof.

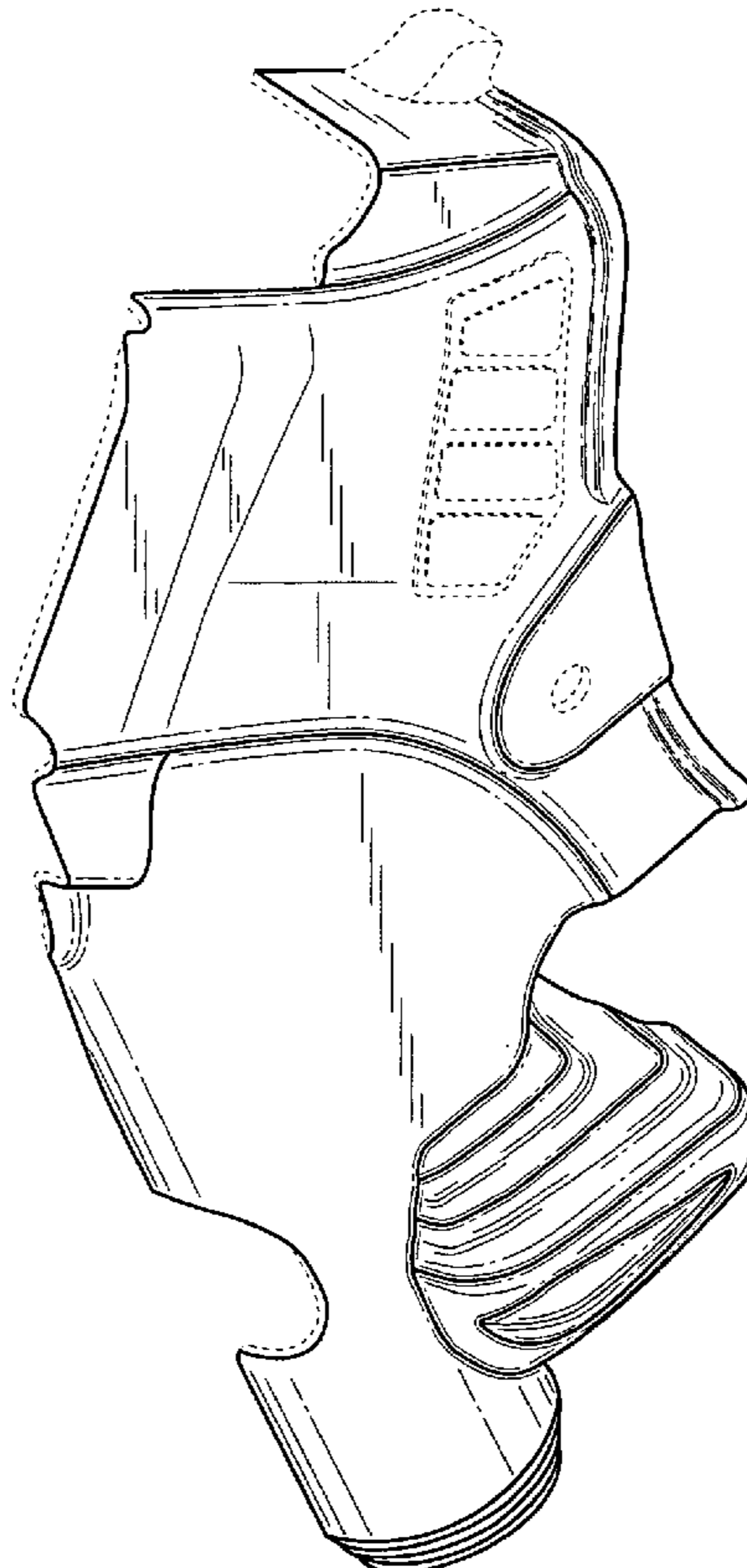
FIG. 5 is a bottom view thereof.

FIG. 6 is a right side view thereof; and,

FIG. 7 is a left side view thereof.

The rear surface and front surface portions of the motorcycle frame neck cover shown in broken lines form no part of the claimed design.

1 Claim, 6 Drawing Sheets



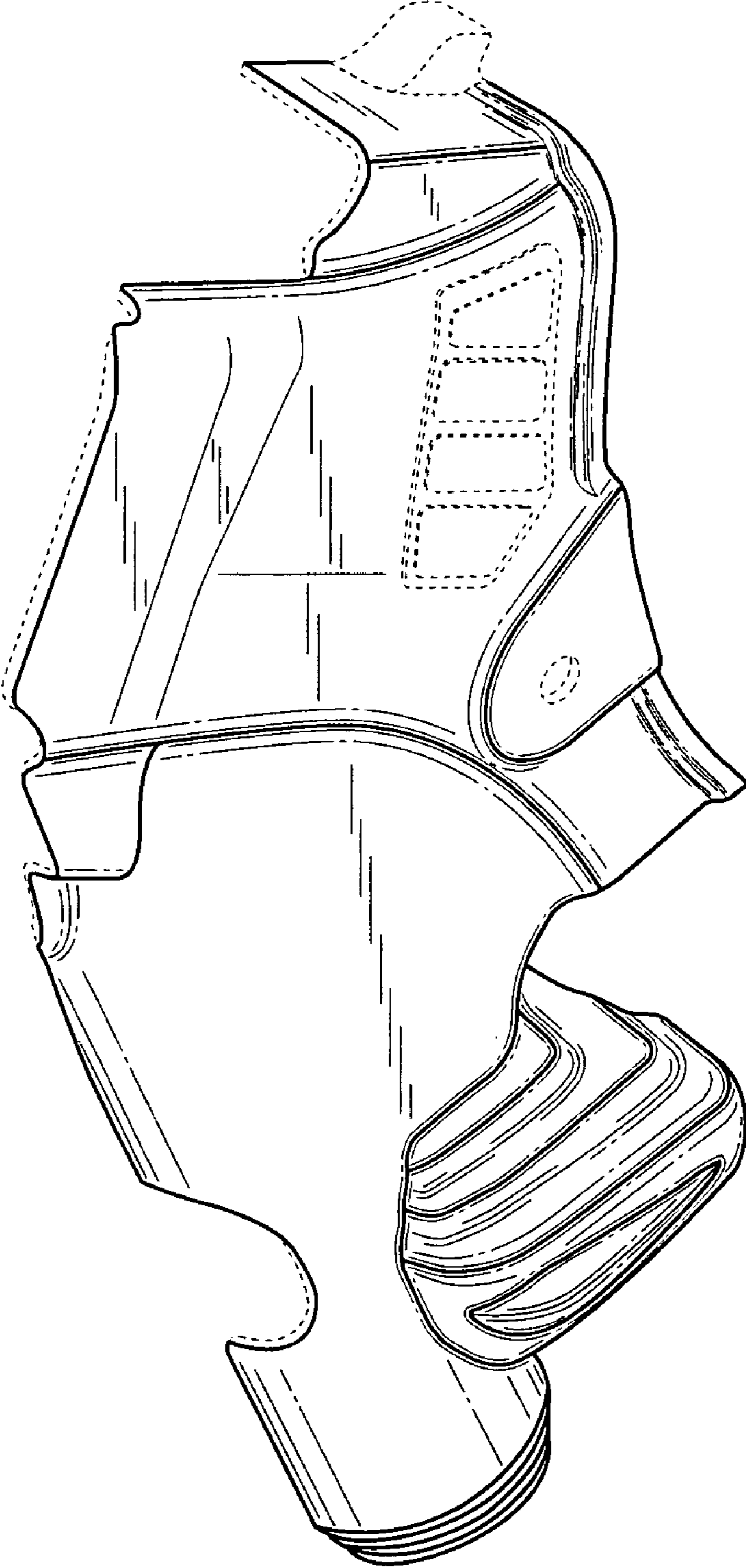


Fig. 1

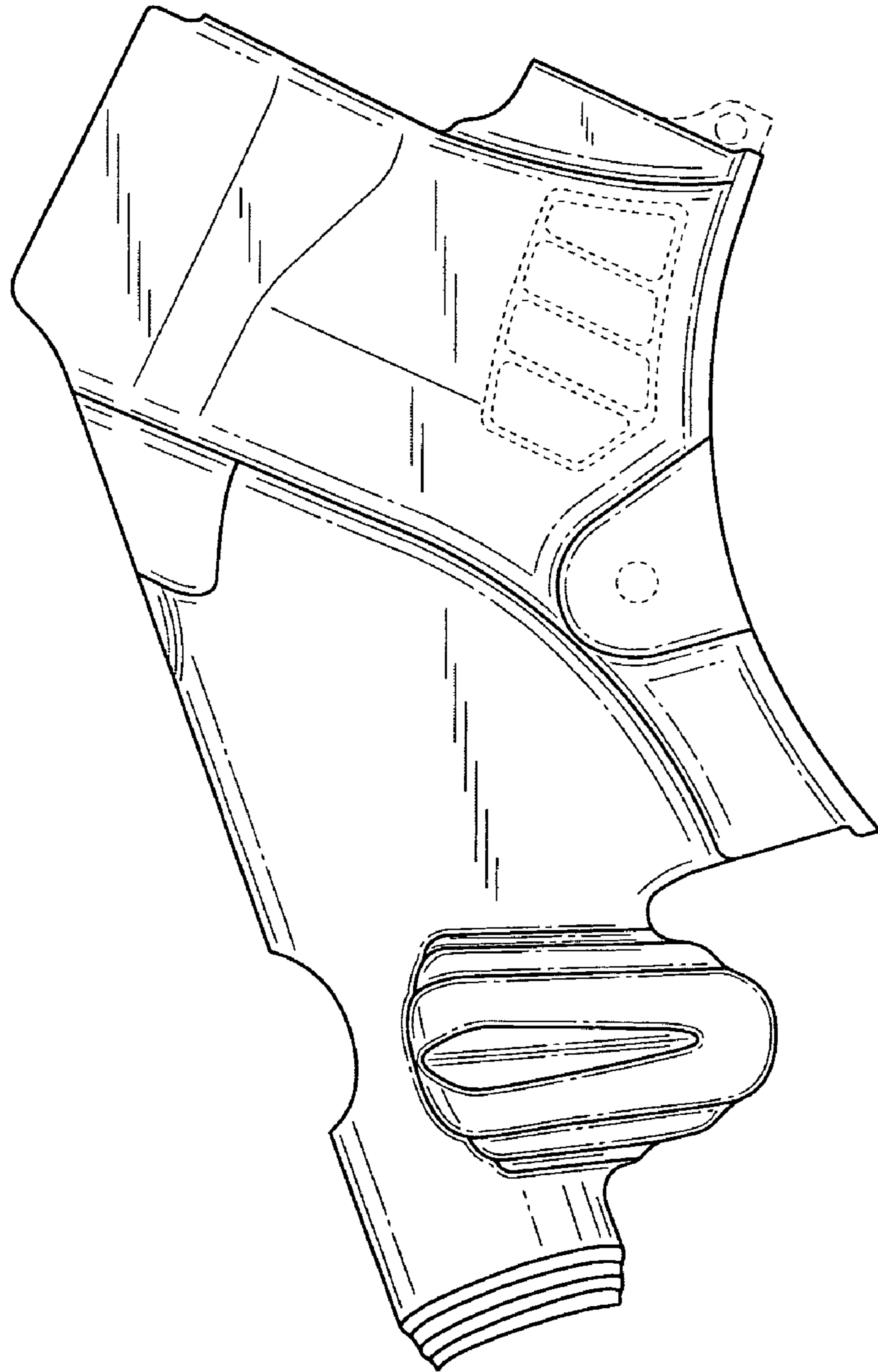


Fig. 2

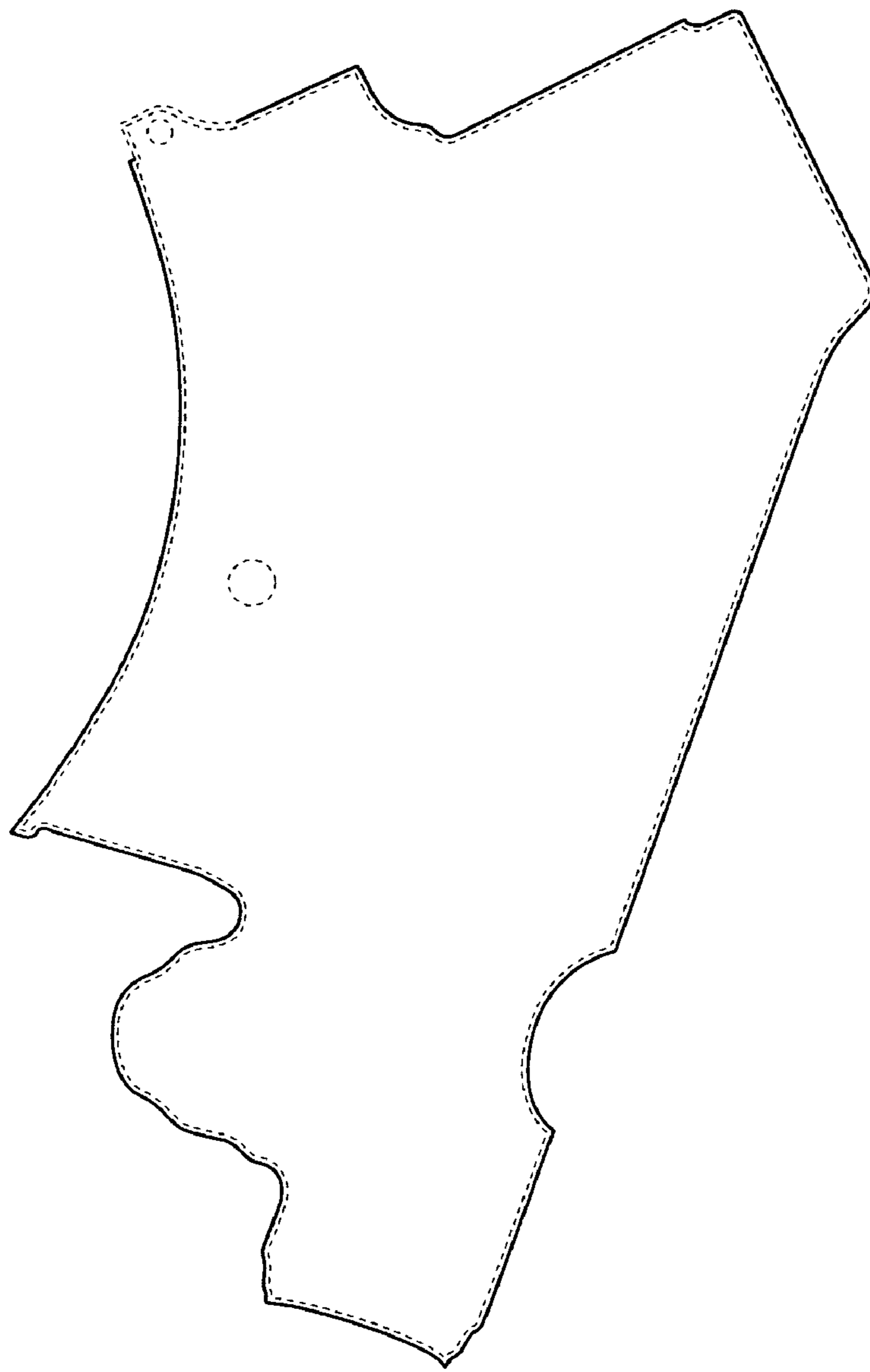


Fig. 3

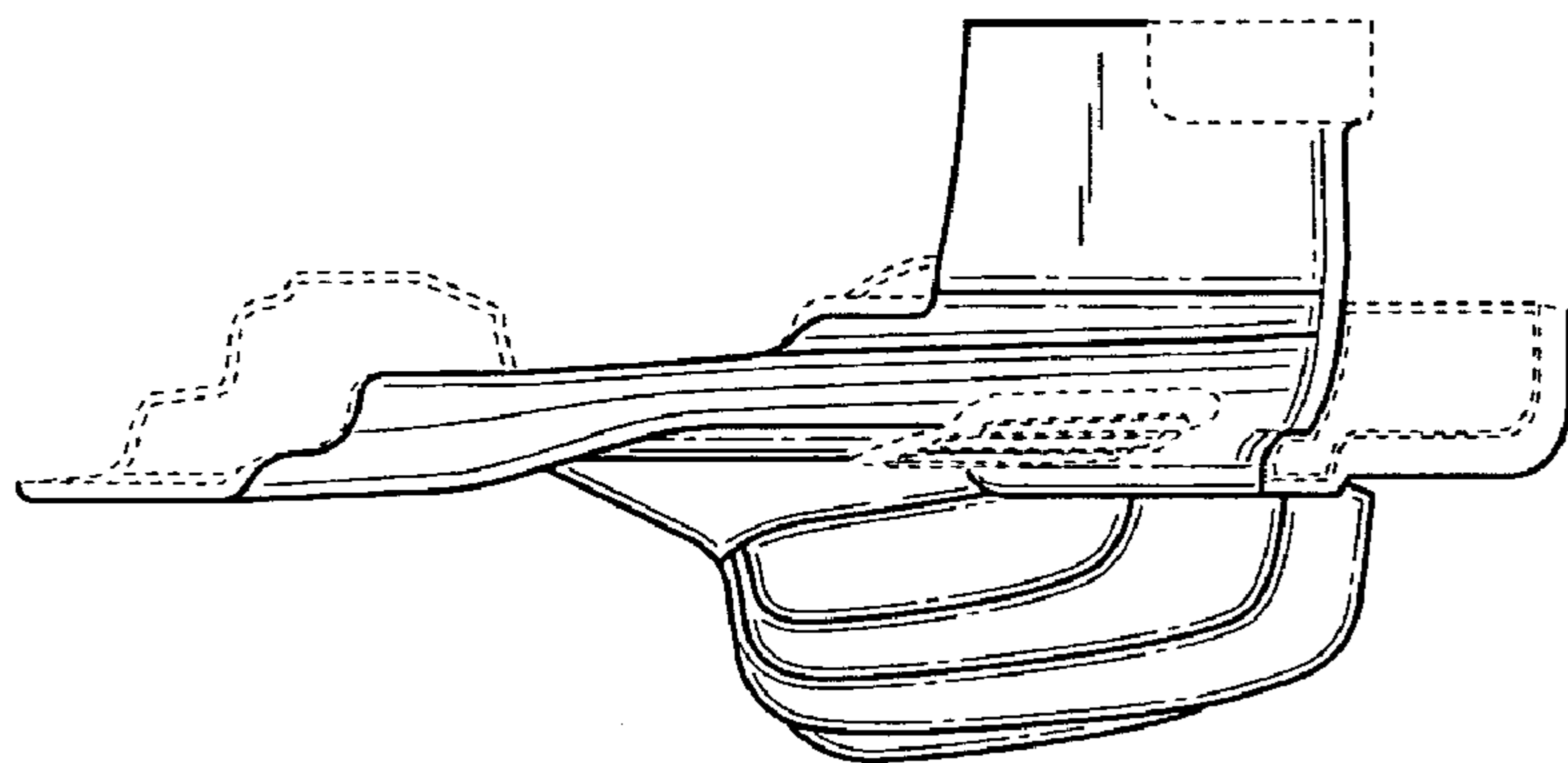


Fig. 4

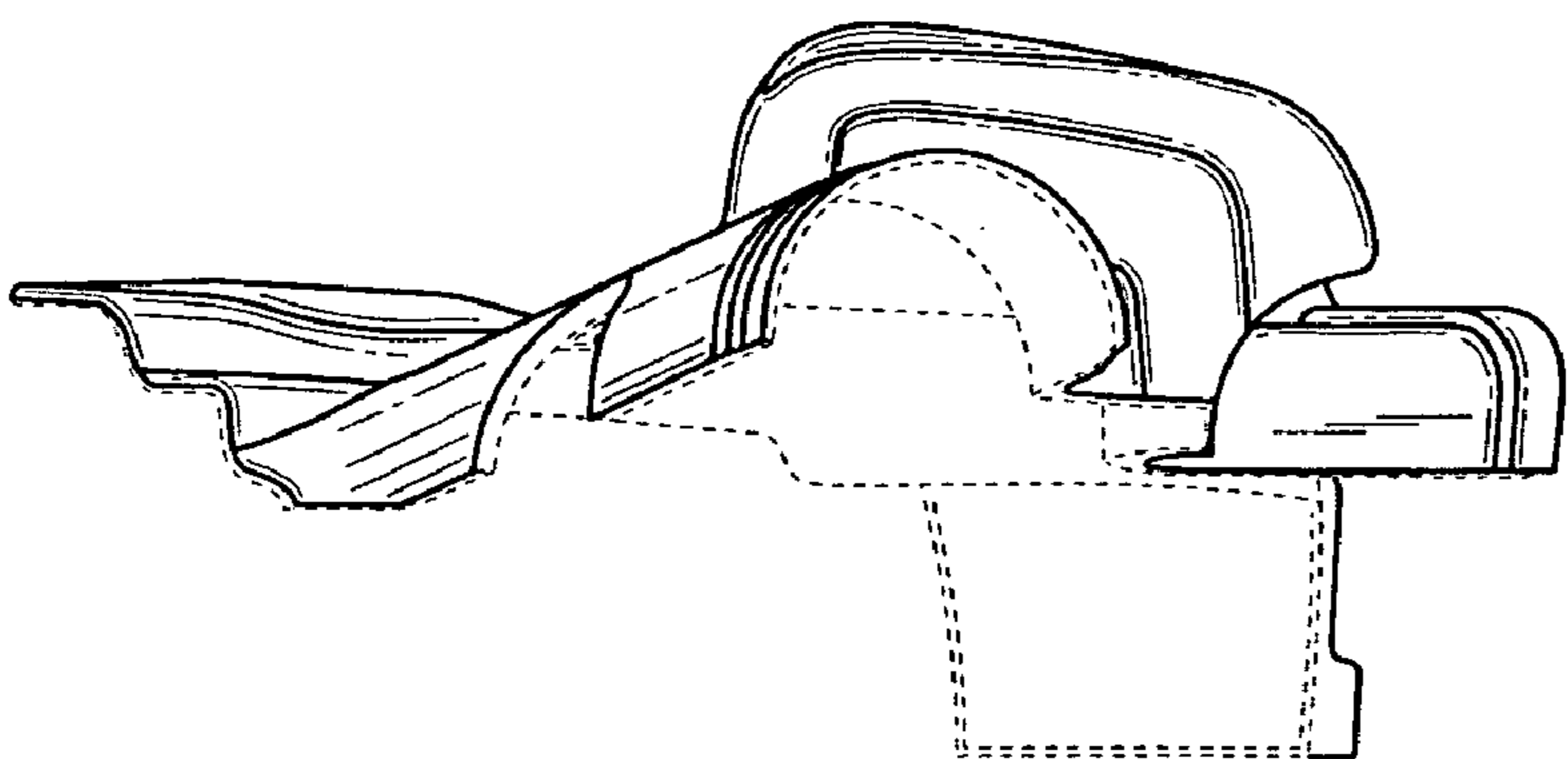


Fig. 5

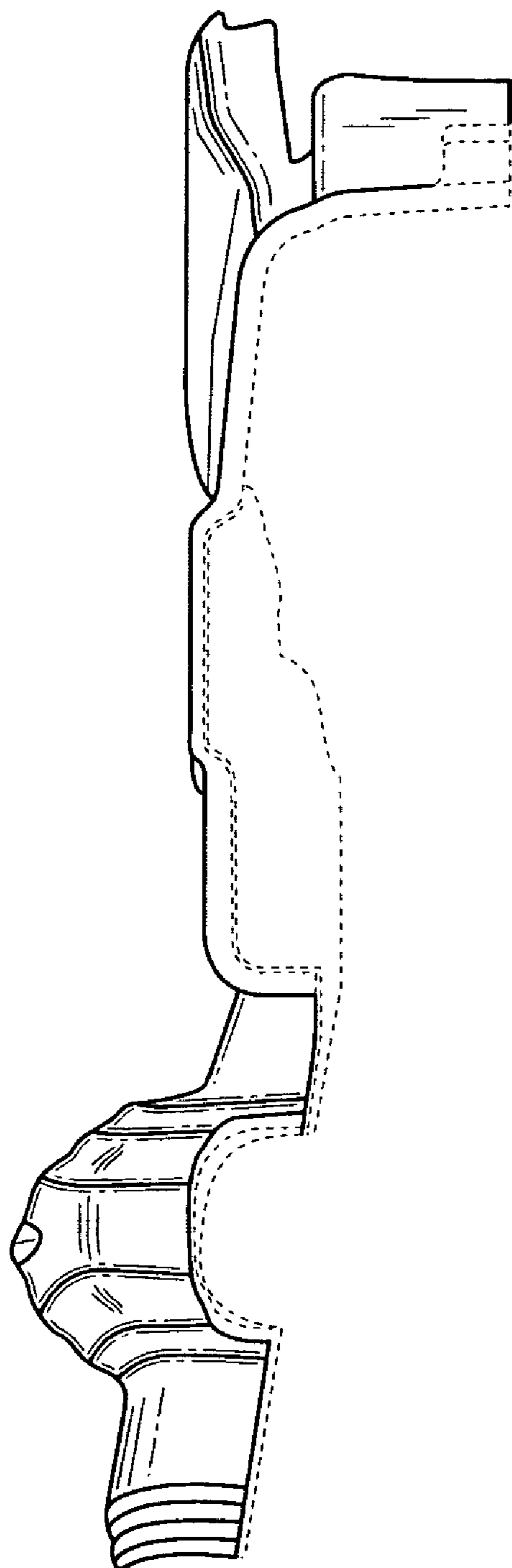


Fig. 6

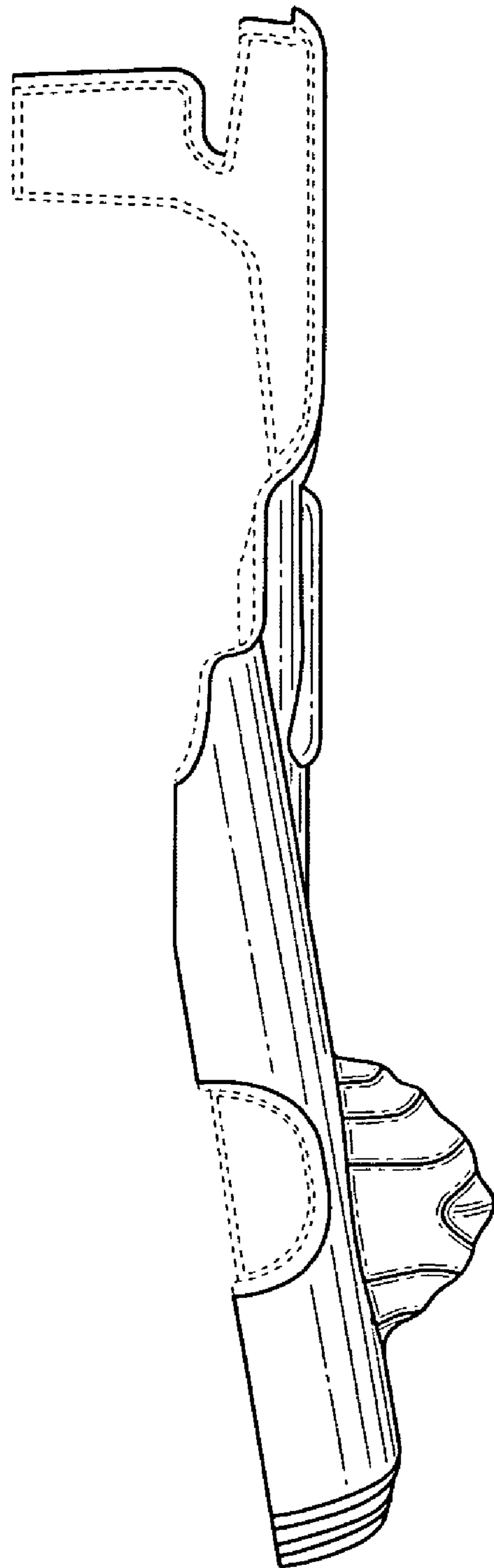


Fig. 7