



US00D635060S

(12) **United States Design Patent**
Ota

(10) **Patent No.:** **US D635,060 S**
(45) **Date of Patent:** **** Mar. 29, 2011**

(54) **MOTORCYCLE**

(75) Inventor: **Hiroshi Ota**, Tokyo-to (JP)

(73) Assignee: **Yamaha Hatsudoki Kabushiki Kaisha**
(JP)

(**) Term: **14 Years**

(21) Appl. No.: **29/364,883**

(22) Filed: **Jun. 30, 2010**

(51) **LOC (9) Cl.** **12-11**

(52) **U.S. Cl.** **D12/110**

(58) **Field of Classification Search** D12/110;
180/219

See application file for complete search history.

(56) **References Cited**

U.S. PATENT DOCUMENTS

D511,718 S *	11/2005	Manchester et al.	D12/110
D550,591 S *	9/2007	Mugikura	D12/110
D567,148 S *	4/2008	Inose et al.	D12/110
D582,319 S *	12/2008	Miwa et al.	D12/110
D592,106 S *	5/2009	Shimizu	D12/110
D597,892 S *	8/2009	Andoh	D12/110
D605,088 S *	12/2009	Tanaka et al.	D12/110
D626,036 S *	10/2010	Yamazumi et al.	D12/110

OTHER PUBLICATIONS

2006 Yamaha Roadliner. [Retrieved on Mar. 23, 2009]. Retrieved from the Internet <URL: <http://www.totalmotorcycle.com/photos/2006models/2006-Yamaha-RoadlinerSb.jpg>>.*

* cited by examiner

Primary Examiner — Susan M Lee

Assistant Examiner — Linda G. Brooks

(74) *Attorney, Agent, or Firm* — Ostrolenk Faber LLP

(57) **CLAIM**

The ornamental design for a motorcycle, as shown.

DESCRIPTION

FIG. 1 is a left side, front perspective view of a motorcycle showing my new design;

FIG. 2 is a right side, rear perspective view thereof;

FIG. 3 is a left side view thereof;

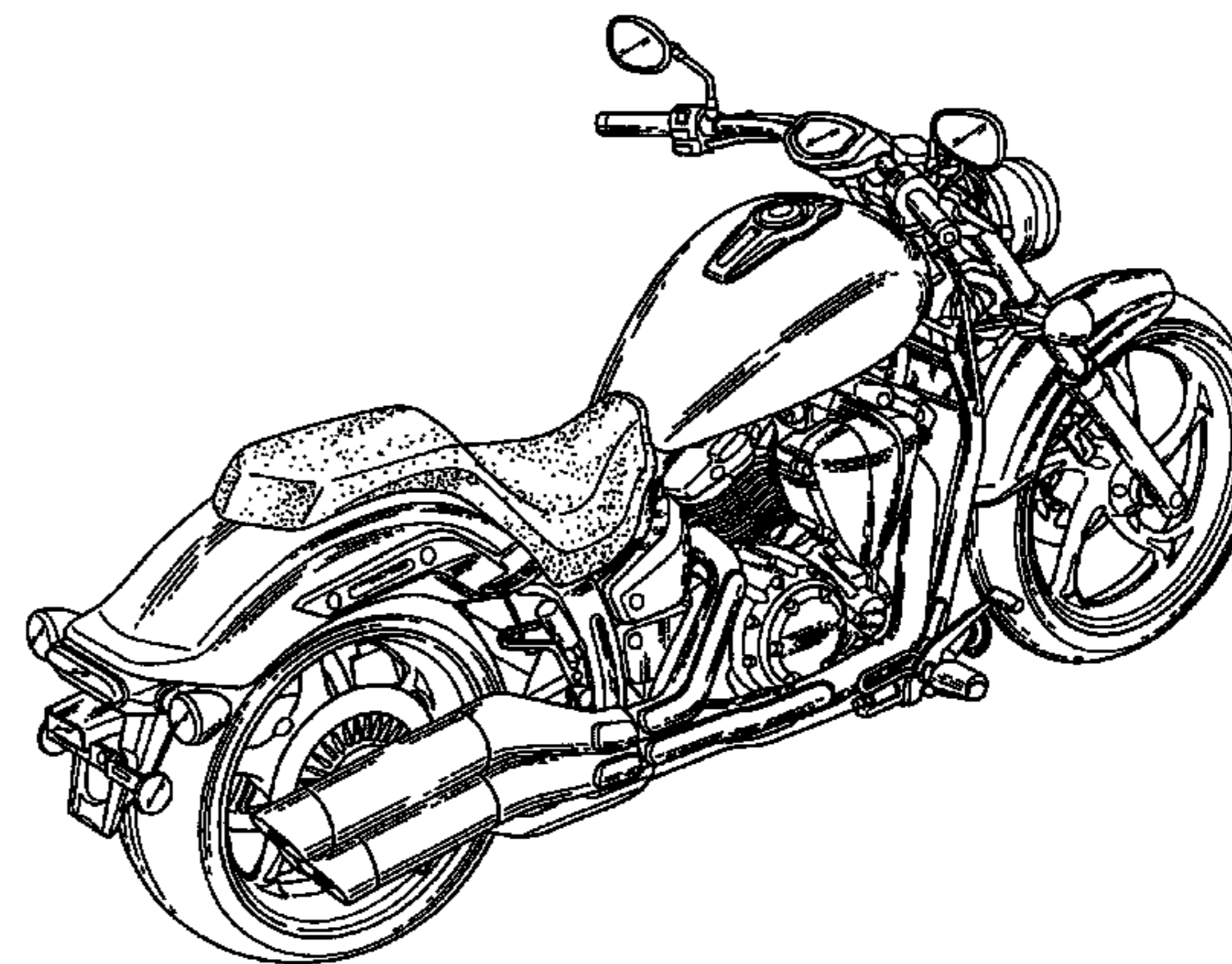
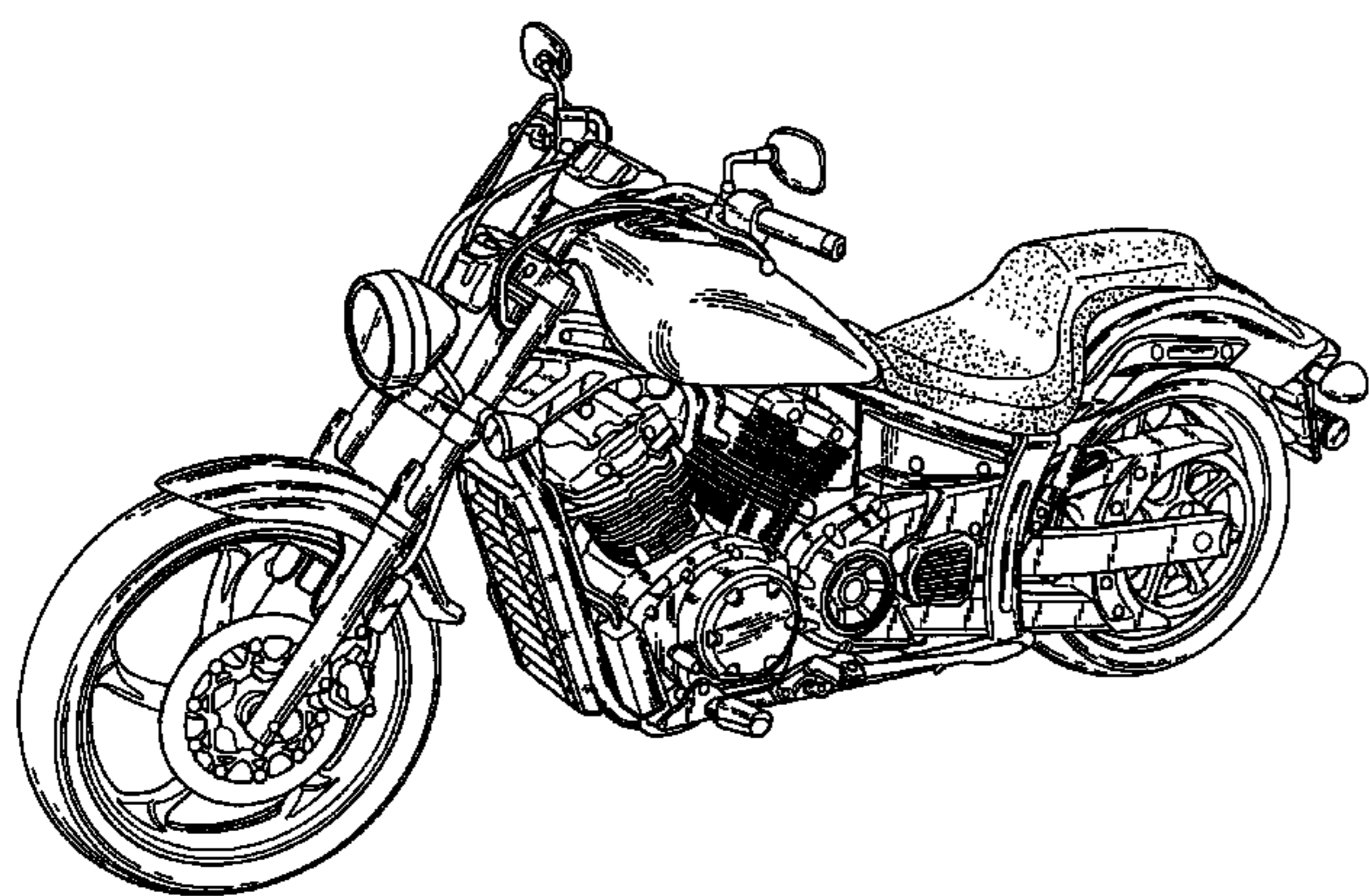
FIG. 4 is a right side view thereof;

FIG. 5 is a front view thereof;

FIG. 6 is a rear view thereof; and,

FIG. 7 is a top view thereof.

1 Claim, 7 Drawing Sheets



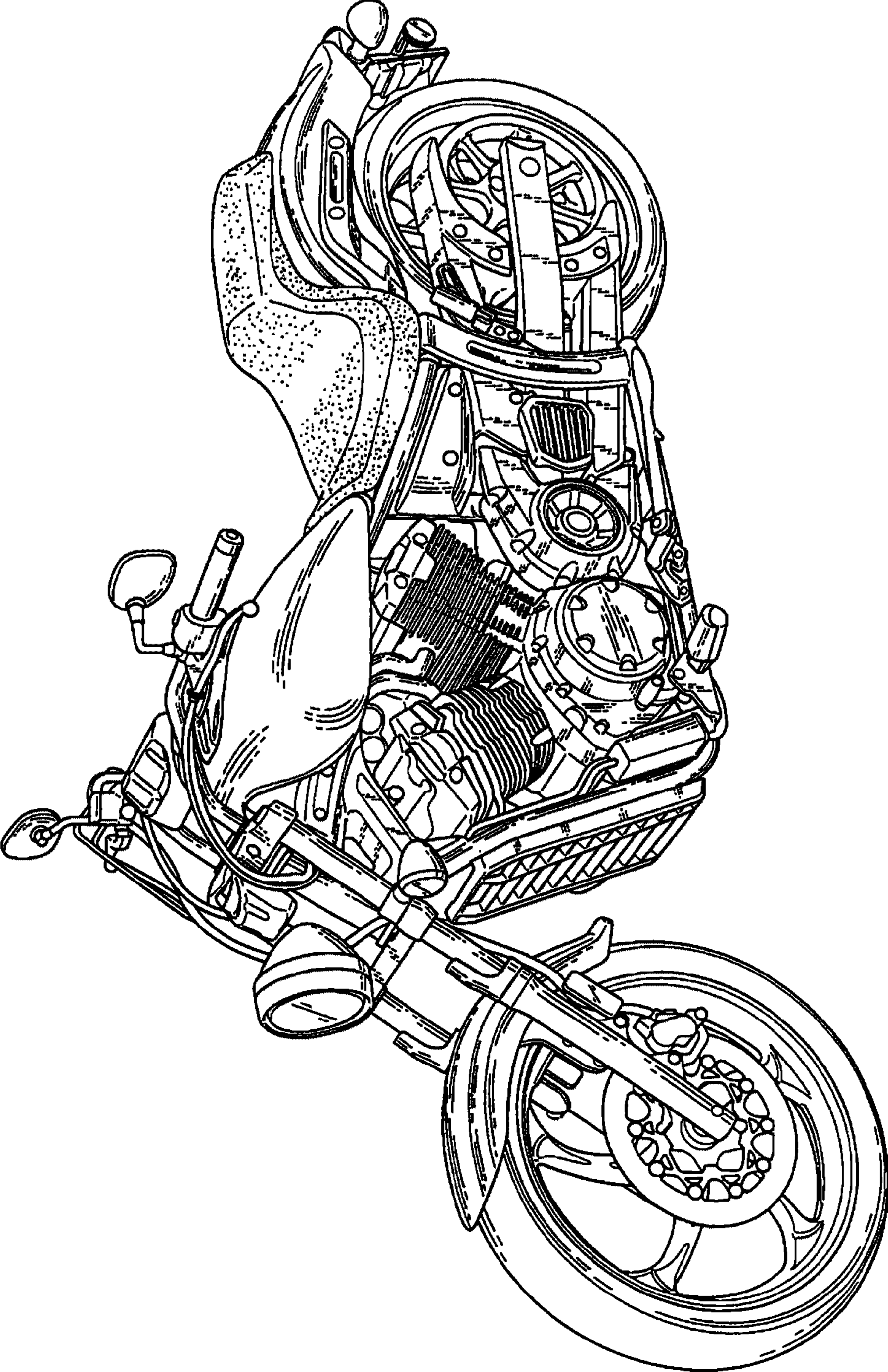


FIG. 1

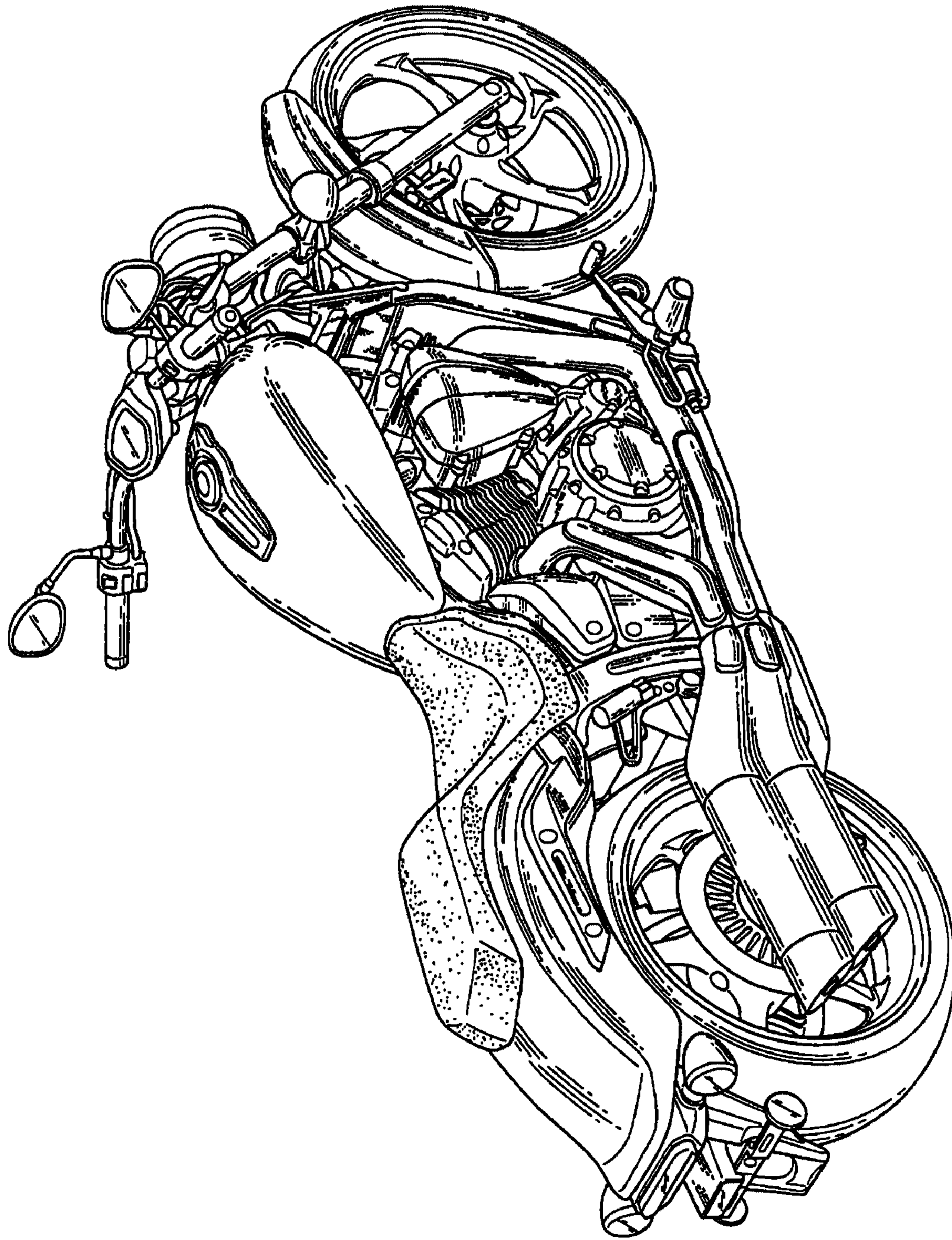


FIG. 2

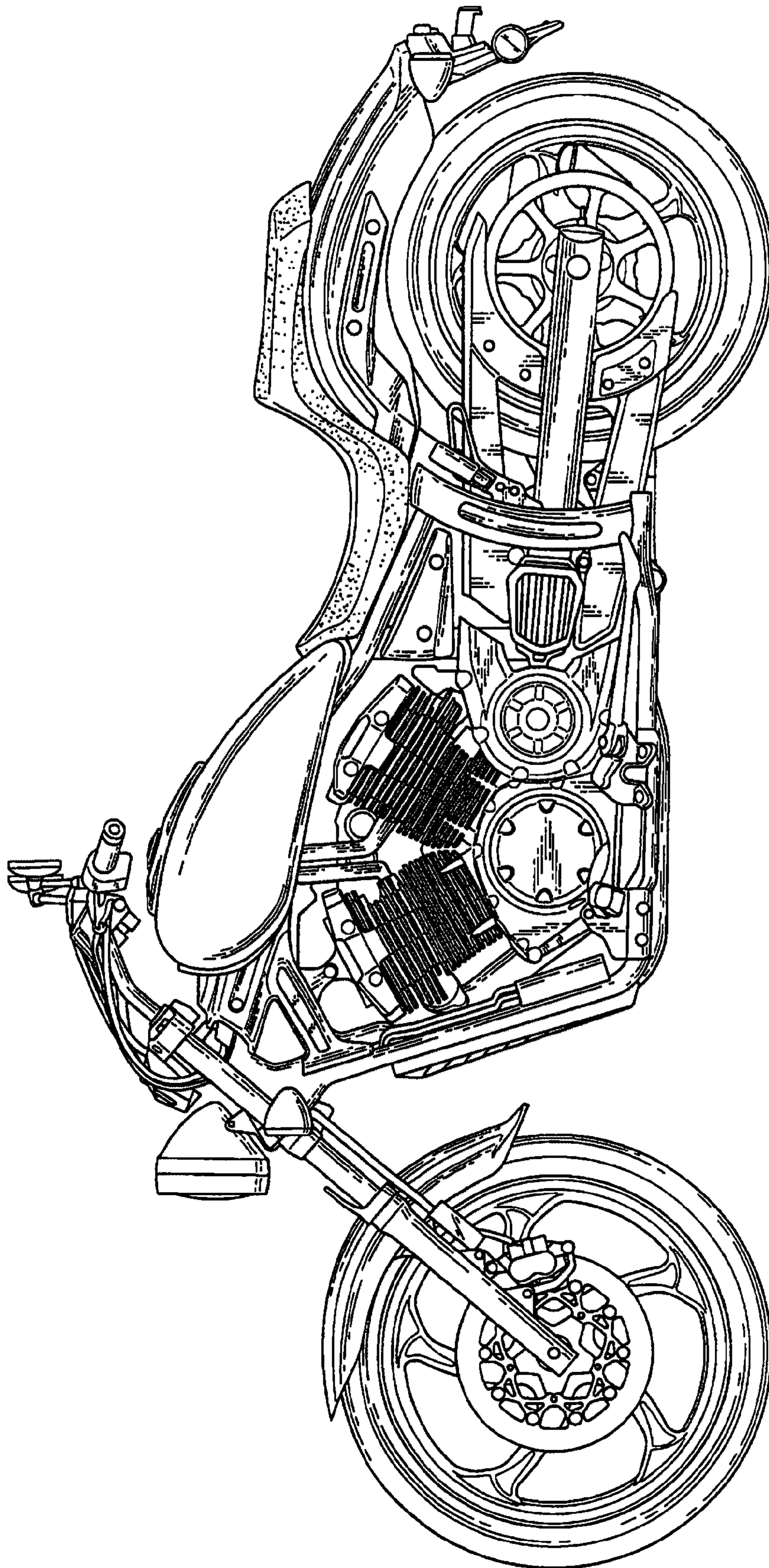


FIG. 3

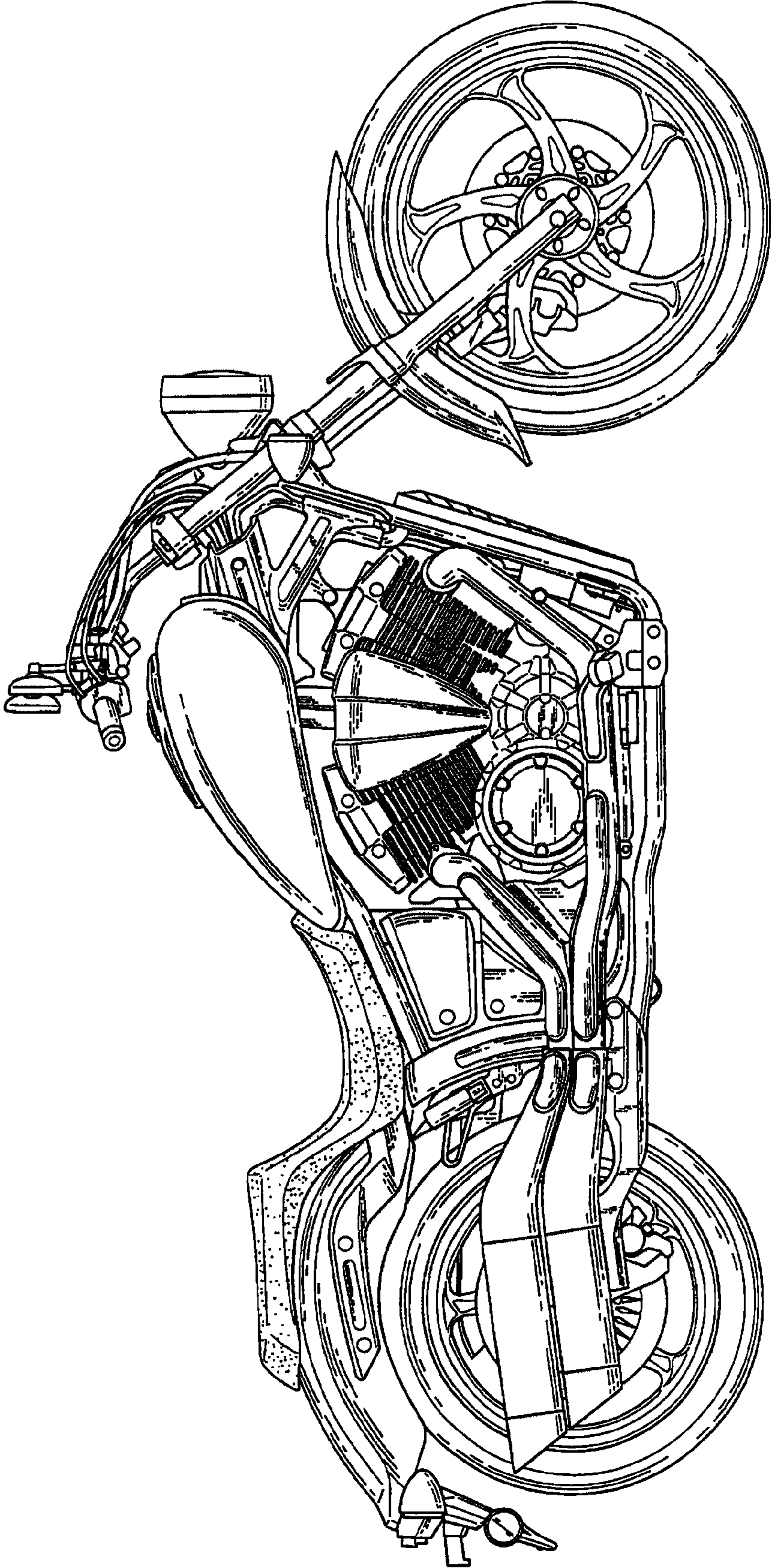


FIG. 4

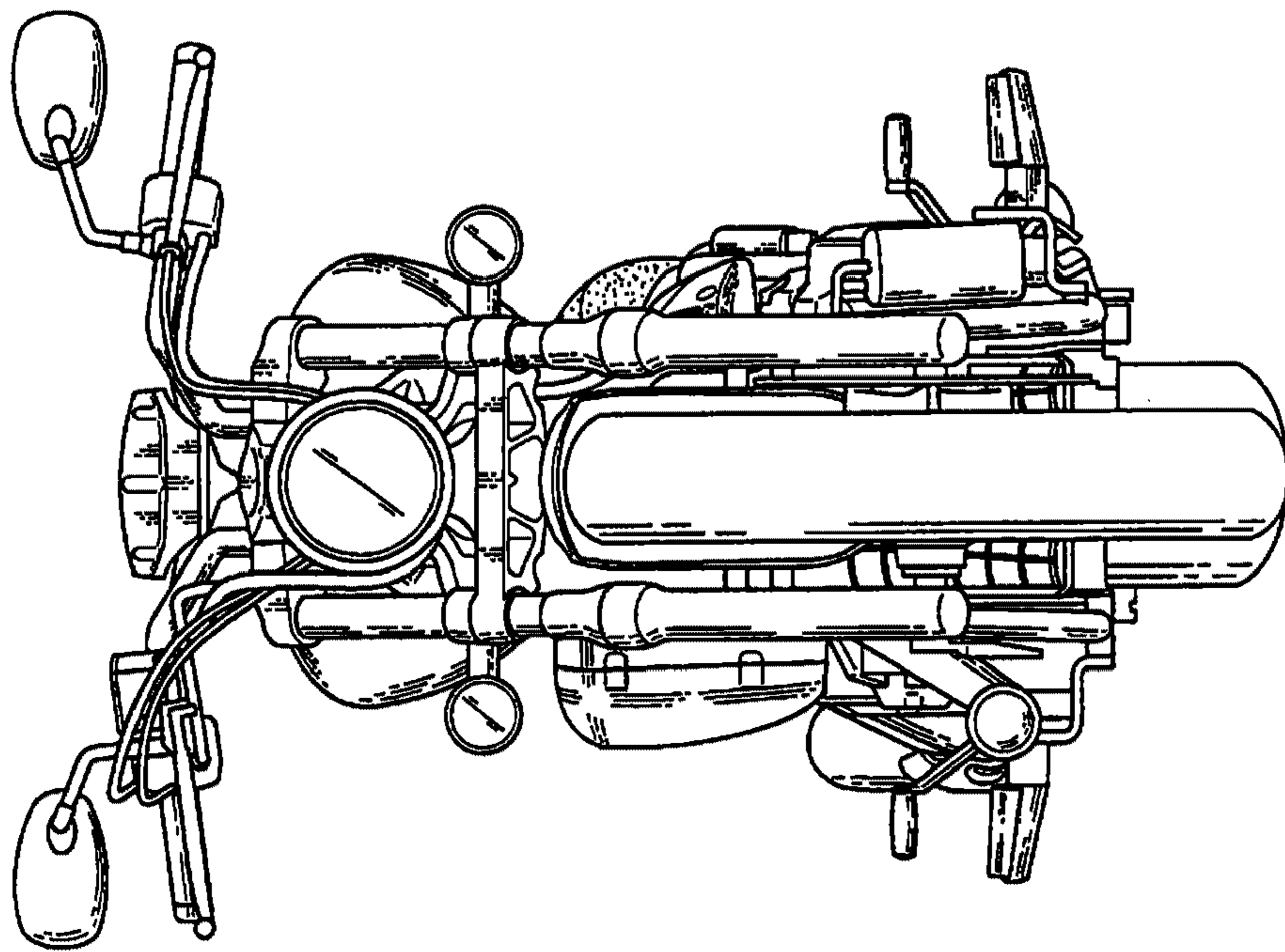


FIG. 5

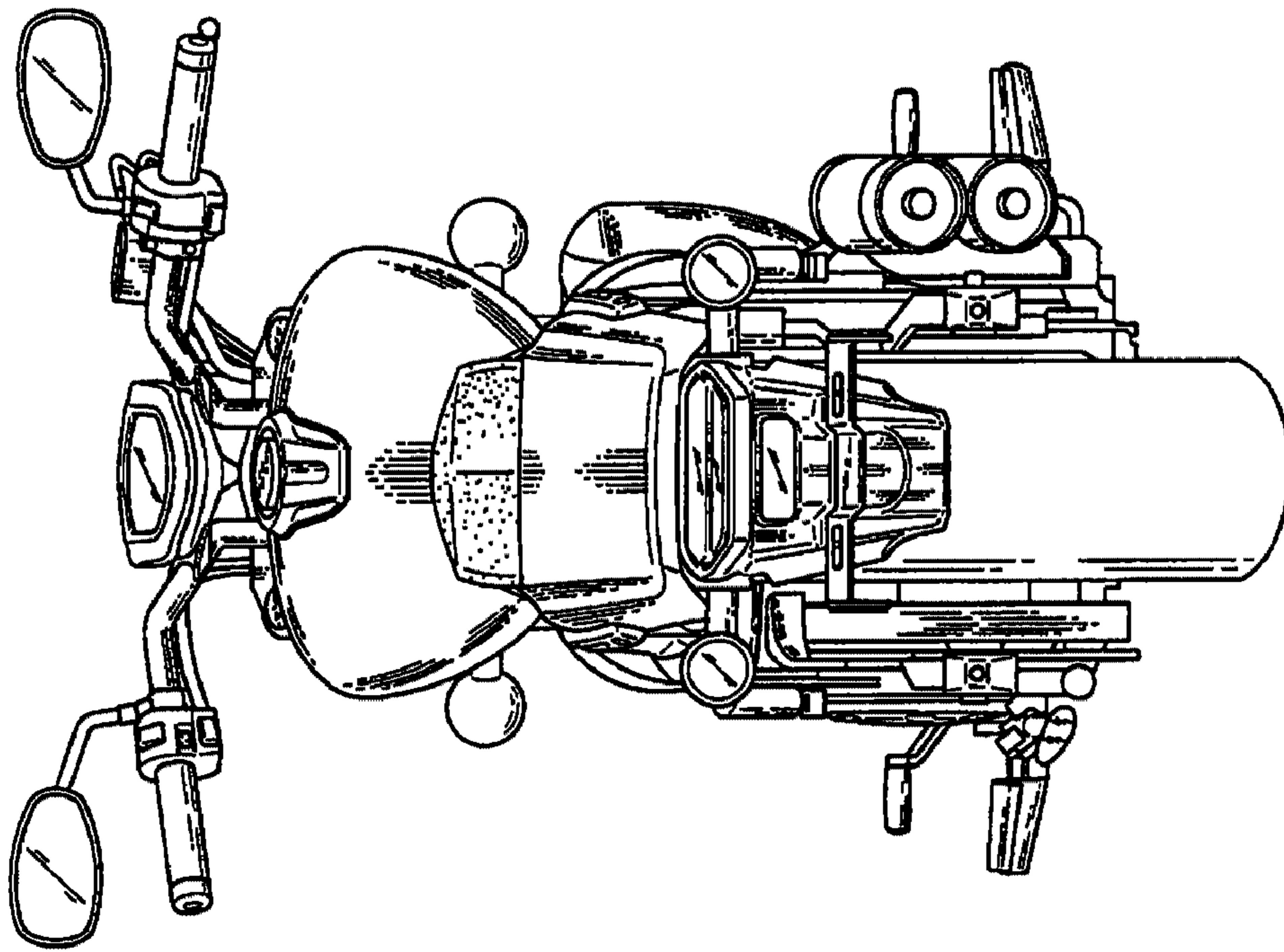


FIG. 6

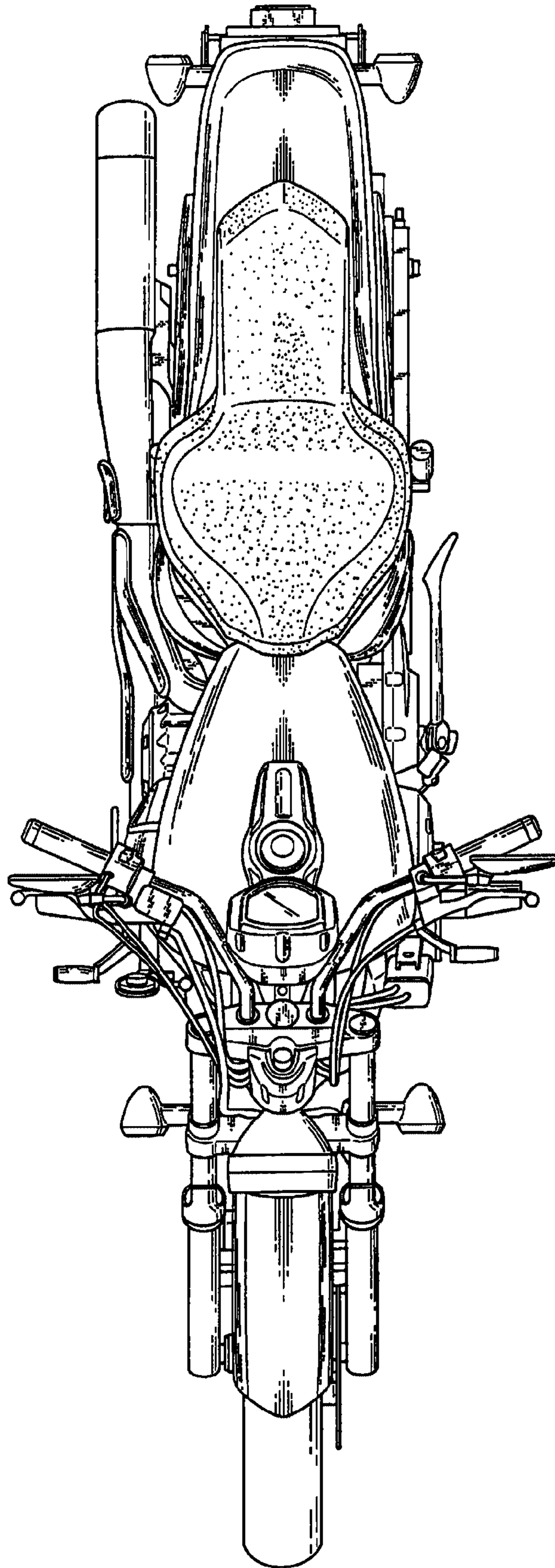


FIG. 7