



US00D635053S

(12) **United States Design Patent**  
**Lee**

(10) **Patent No.:** **US D635,053 S**  
(45) **Date of Patent:** **\*\* Mar. 29, 2011**

- (54) **DECORATIVE WAGON WHEEL**
- (76) Inventor: **Lawrence K. Lee**, Houston, TX (US)
- (\*\*) Term: **14 Years**
- (21) Appl. No.: **29/369,907**
- (22) Filed: **Sep. 15, 2010**
- (51) **LOC (9) Cl.** ..... **11-02**
- (52) **U.S. Cl.** ..... **D11/157**
- (58) **Field of Classification Search** ..... D11/112,  
D11/131-138, 157-164, 184; D12/20, 17,  
D12/204; D21/536; 296/180; 119/17  
See application file for complete search history.

D619,200 S \* 7/2010 Yousif ..... D23/200  
 2002/0158493 A1\* 10/2002 Reynolds ..... 297/181  
 2004/0020090 A1\* 2/2004 Lueddecke ..... 40/610  
 \* cited by examiner

*Primary Examiner* — Holly H Baynham  
*Assistant Examiner* — Michelle E Wilson  
 (74) *Attorney, Agent, or Firm* — Egbert Law Offices PLLC

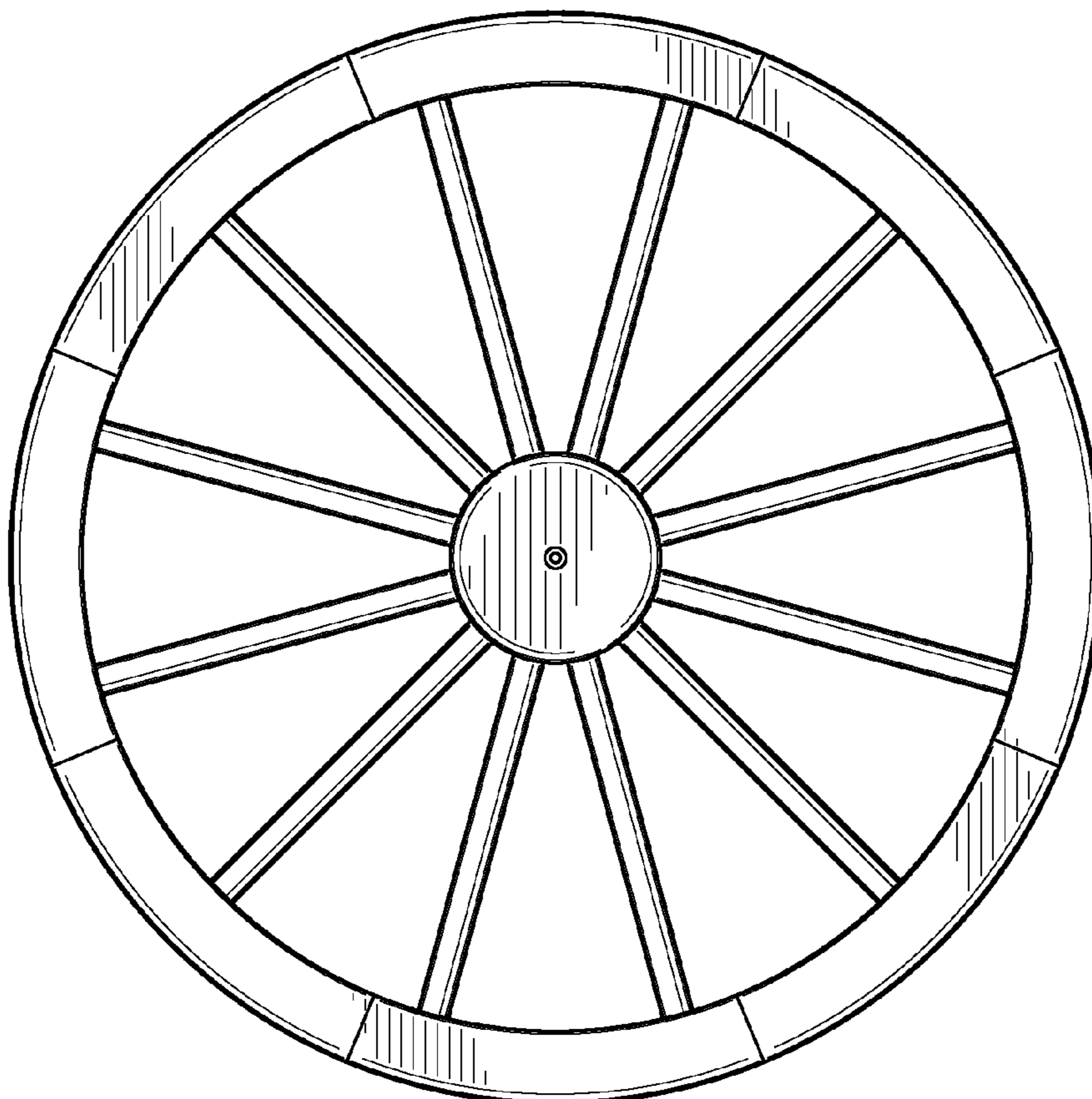
(57) **CLAIM**  
 The ornamental design for a decorative wagon wheel, as shown and described.

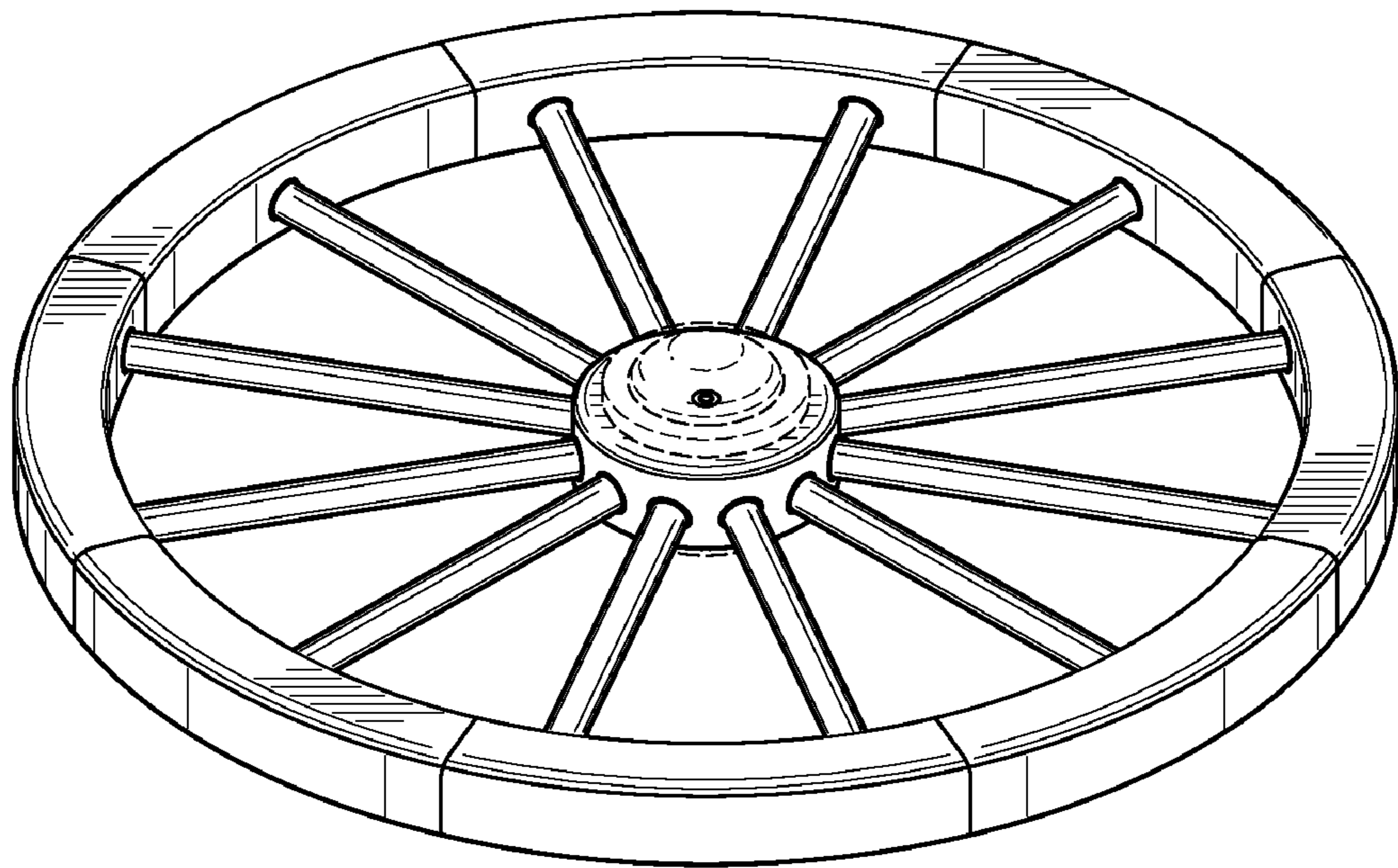
**DESCRIPTION**

FIG. 1 is an upper perspective view of the decorative wagon wheel showing my design.  
 FIG. 2 is an upper perspective view thereof showing the attachment of a decorative cap;  
 FIG. 3 is an upper perspective view thereof showing the attachment of a decorative rod;  
 FIG. 4 is a top view thereof, a bottom view being identical; and,  
 FIG. 5 is a side view thereof, an opposite side view being identical.  
 The broken line showing of the decorative elements on the decorative wagon wheel are included for the purpose of illustrating environmental structure and forms no part of the claimed design.

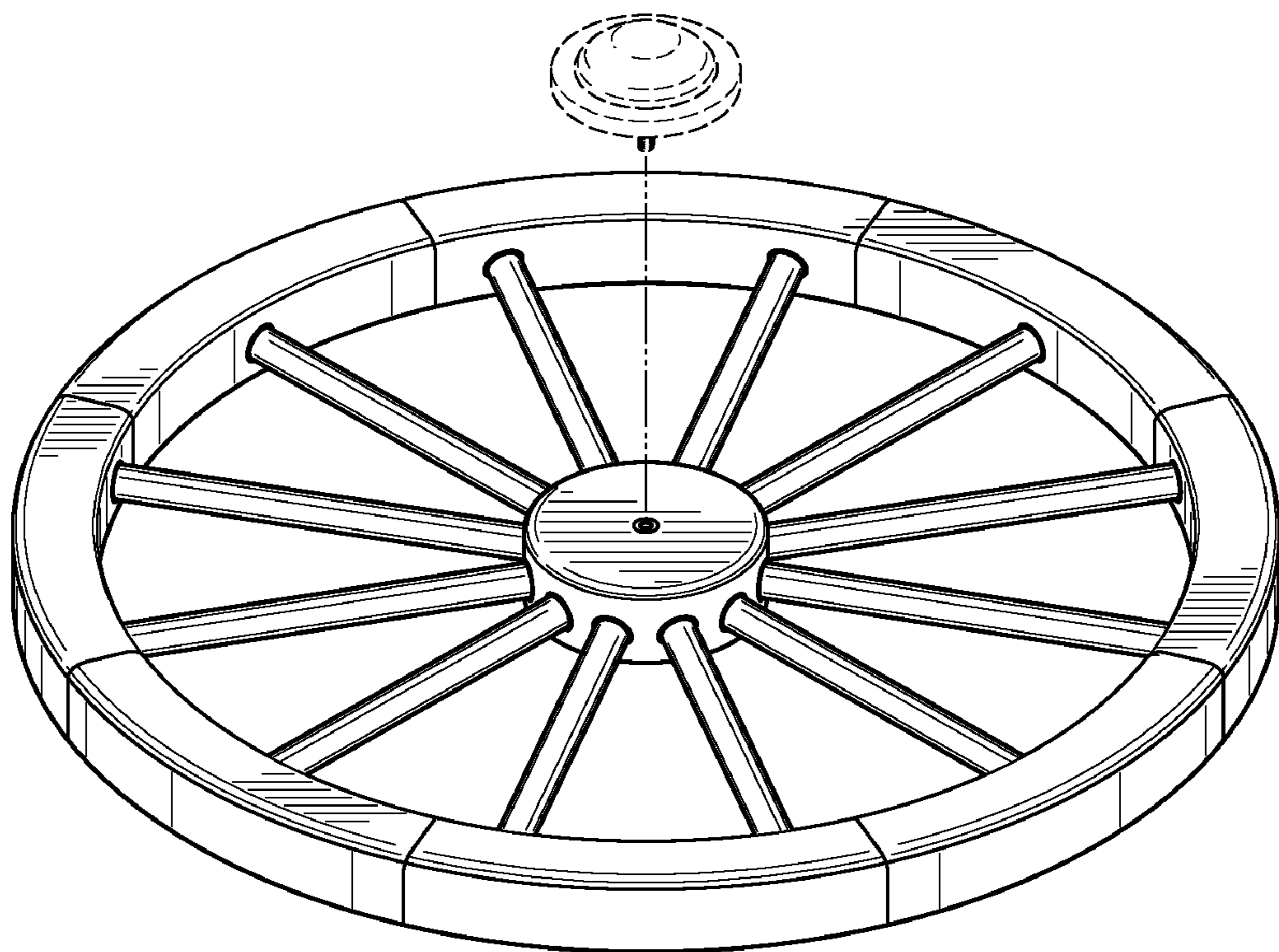
- (56) **References Cited**
- U.S. PATENT DOCUMENTS
- 916,009 A \* 3/1909 Plummer ..... 301/31
- 2,037,871 A \* 4/1936 Zander ..... 152/5
- 3,103,899 A \* 9/1963 Macken ..... 108/25
- D225,702 S \* 1/1973 Welker ..... D6/399
- D260,464 S \* 9/1981 Alexander ..... D6/455
- 4,794,727 A \* 1/1989 Smith ..... 47/17
- 6,478,370 B1 \* 11/2002 Reynolds ..... 297/181
- 7,536,813 B2 \* 5/2009 Lueddecke ..... 40/587
- D612,170 S \* 3/2010 Hilder ..... D6/451

**1 Claim, 3 Drawing Sheets**

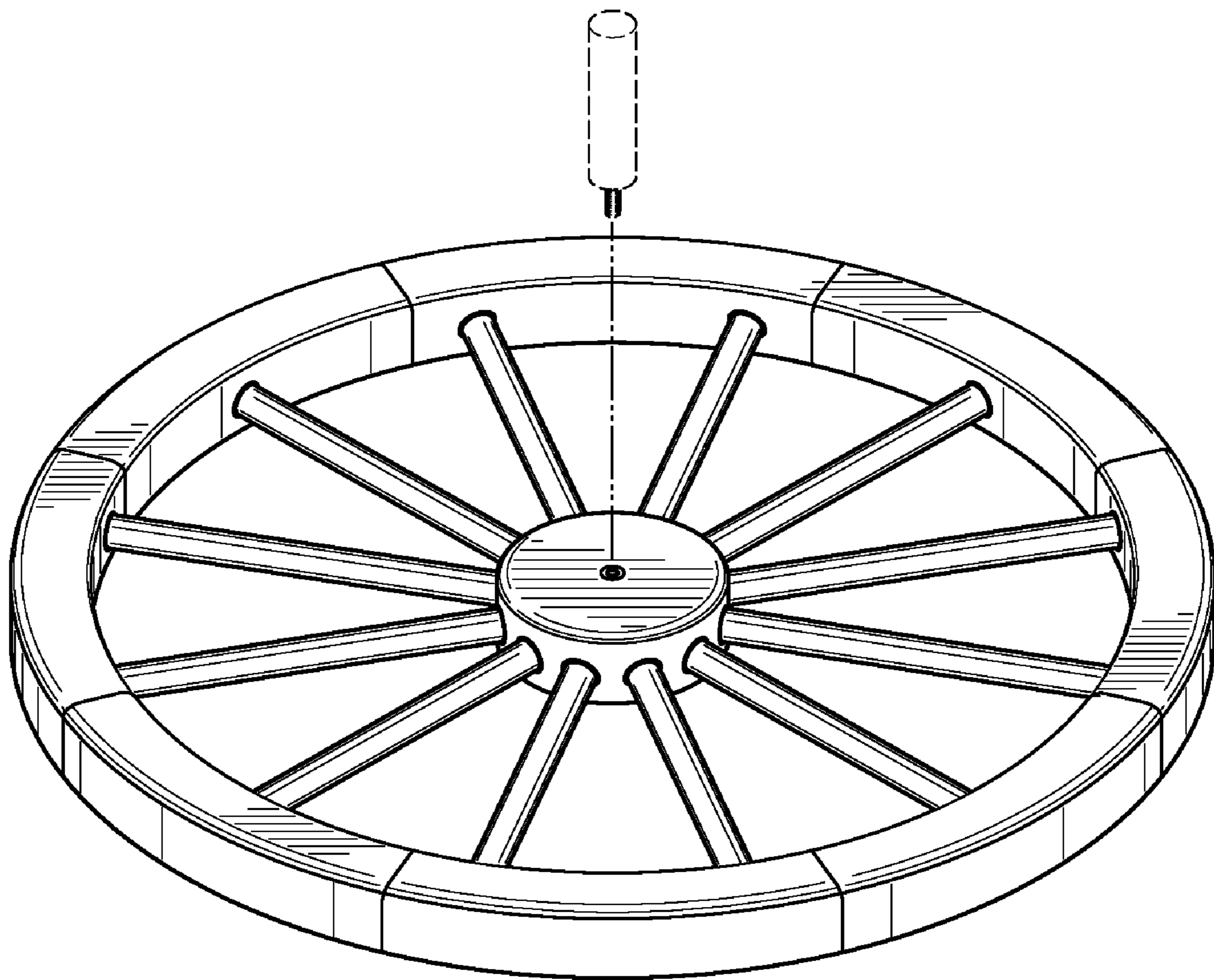




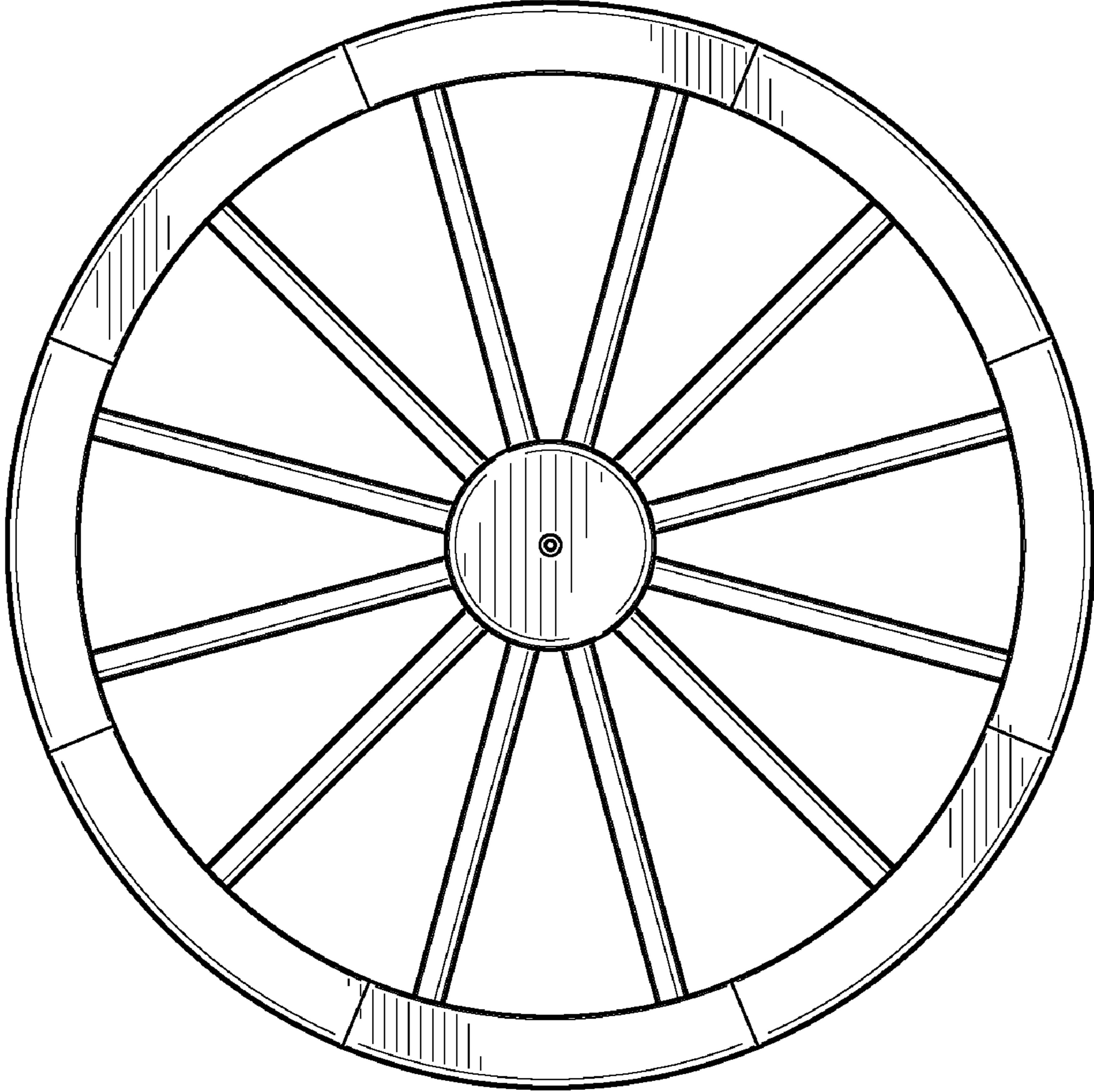
*FIG. 1*



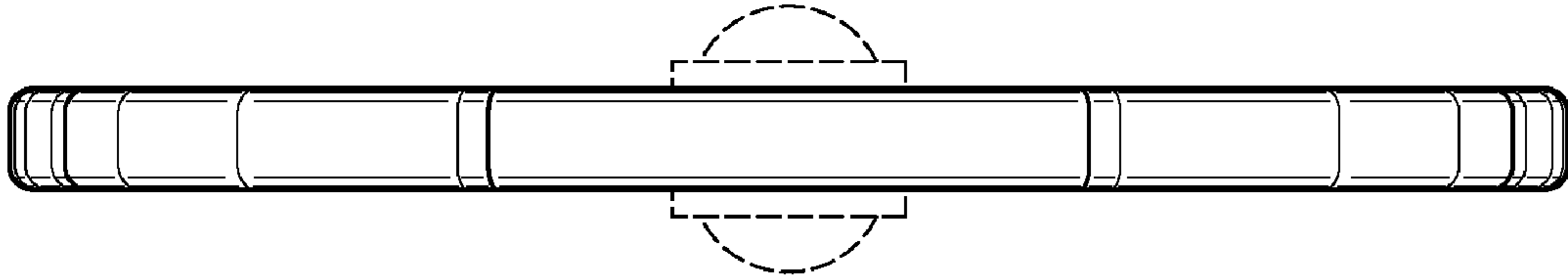
*FIG. 2*



*FIG. 3*



*FIG. 4*



*FIG. 5*