



US00D635044S

(12) **United States Design Patent**  
**Macey**

(10) **Patent No.:** **US D635,044 S**  
(45) **Date of Patent:** **\*\* Mar. 29, 2011**

(54) **CAP FOR MARKING AND DETECTING AN UNDERGROUND UTILITY**

(75) Inventor: **Martin W. Macey**, Draper, UT (US)

(73) Assignee: **Infinity Times Infinity, LLC**, Holladay, UT (US)

(\*\*) Term: **14 Years**

(21) Appl. No.: **29/342,684**

(22) Filed: **Aug. 28, 2009**

(51) **LOC (9) Cl.** ..... **10-05**

(52) **U.S. Cl.** ..... **D10/109**

(58) **Field of Classification Search** ..... D10/109,  
D10/113; 116/211, 209, 234, 63 R, 63 P,  
116/63 C, 63 T; 404/9-16; D25/132;  
D23/260-261; 52/7; 239/152; 473/179  
See application file for complete search history.

(56) **References Cited**

**U.S. PATENT DOCUMENTS**

- D306,767 S \* 3/1990 Ziaylek, Jr. .... D26/36
- 4,955,982 A \* 9/1990 Paulos ..... 404/11
- 5,069,577 A \* 12/1991 Murphy ..... 404/11
- D400,274 S \* 10/1998 Ziaylek et al. .... D26/36

- D422,914 S \* 4/2000 Lasky ..... D9/451
- D514,465 S \* 2/2006 Chang ..... D10/113
- 2002/0185051 A1\* 12/2002 Perucca ..... 116/209

\* cited by examiner

*Primary Examiner* — Caron Veynar

*Assistant Examiner* — George D Kirschbaum

(74) *Attorney, Agent, or Firm* — Kirton & McConkie; Evan R. Witt

(57) **CLAIM**

The ornamental design for a cap for marking and detecting an underground utility, as shown and described.

**DESCRIPTION**

FIG. 1 is a top, side and front perspective view of a cap for marking and detecting an underground utility.  
 FIG. 2 is a top view thereof;  
 FIG. 3 is a front view thereof, the left side, right side, and rear views being identical;  
 FIG. 4 is a bottom view thereof; and,  
 FIG. 5 is another top, side and front perspective view.  
 The broken lines defining of a central circle on the top of the design and of a stake in FIG. 5 depict environmental subject matter that forms no part of the claimed design.

**1 Claim, 5 Drawing Sheets**

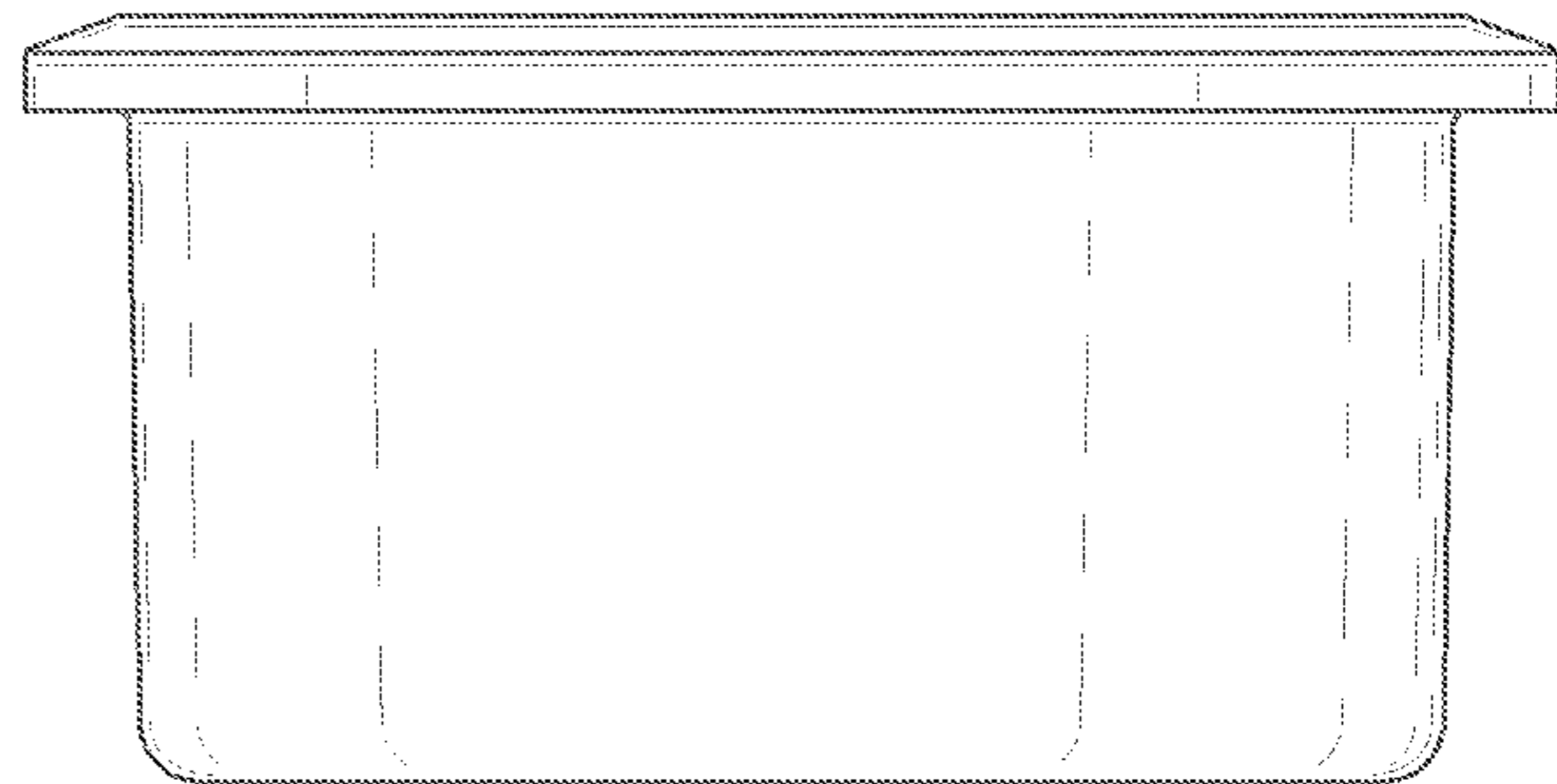
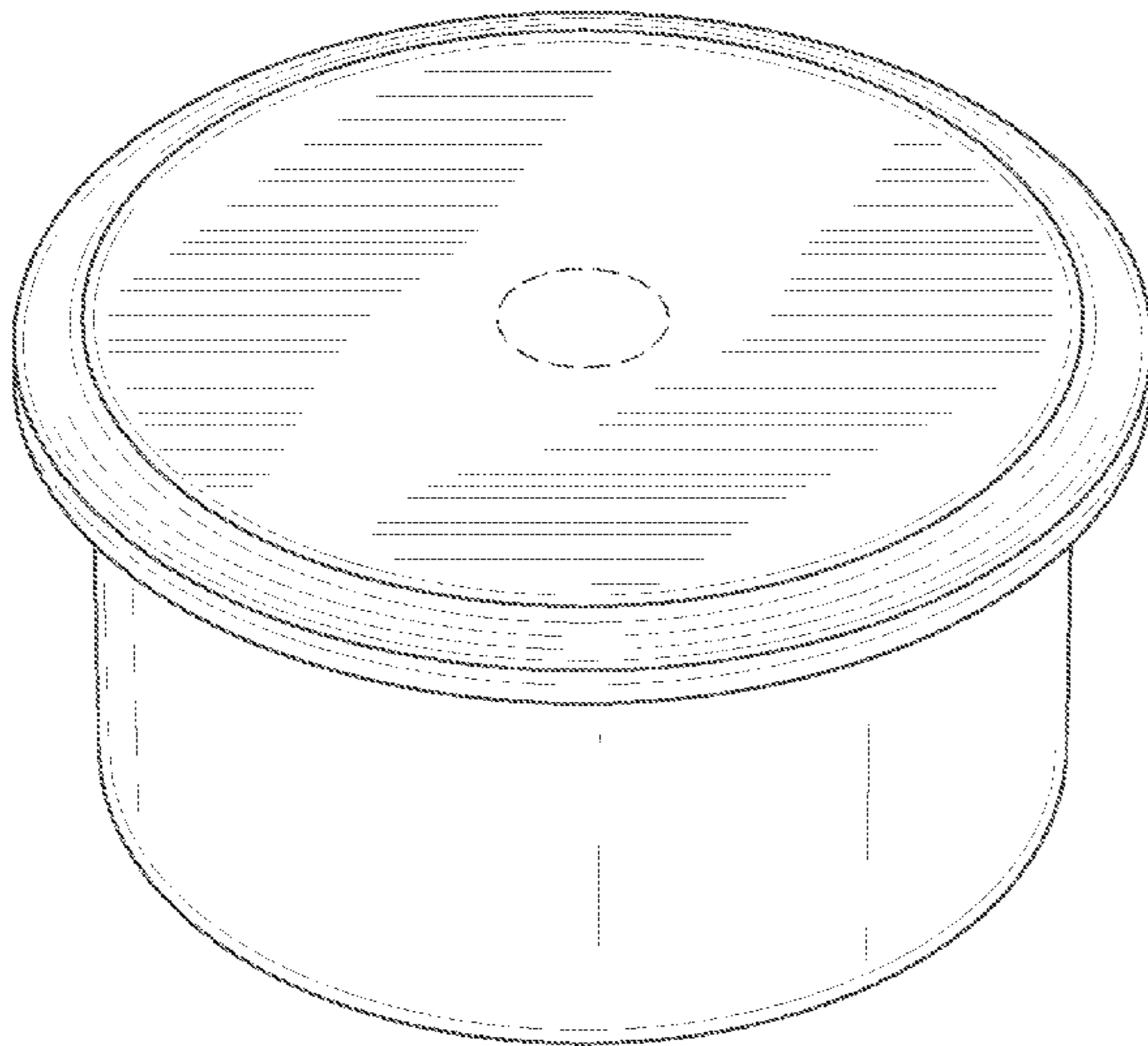


FIG. 1

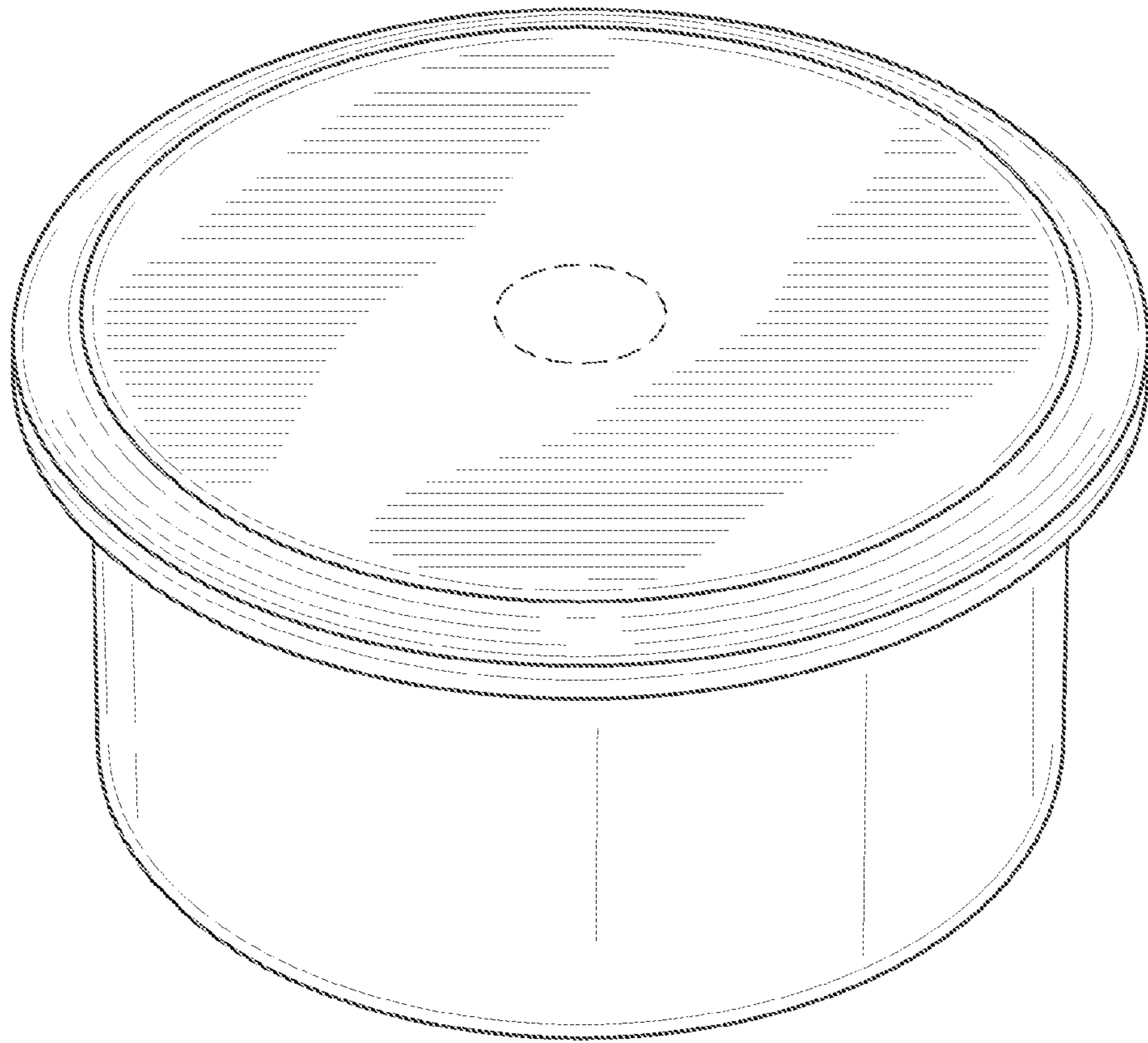


FIG. 2

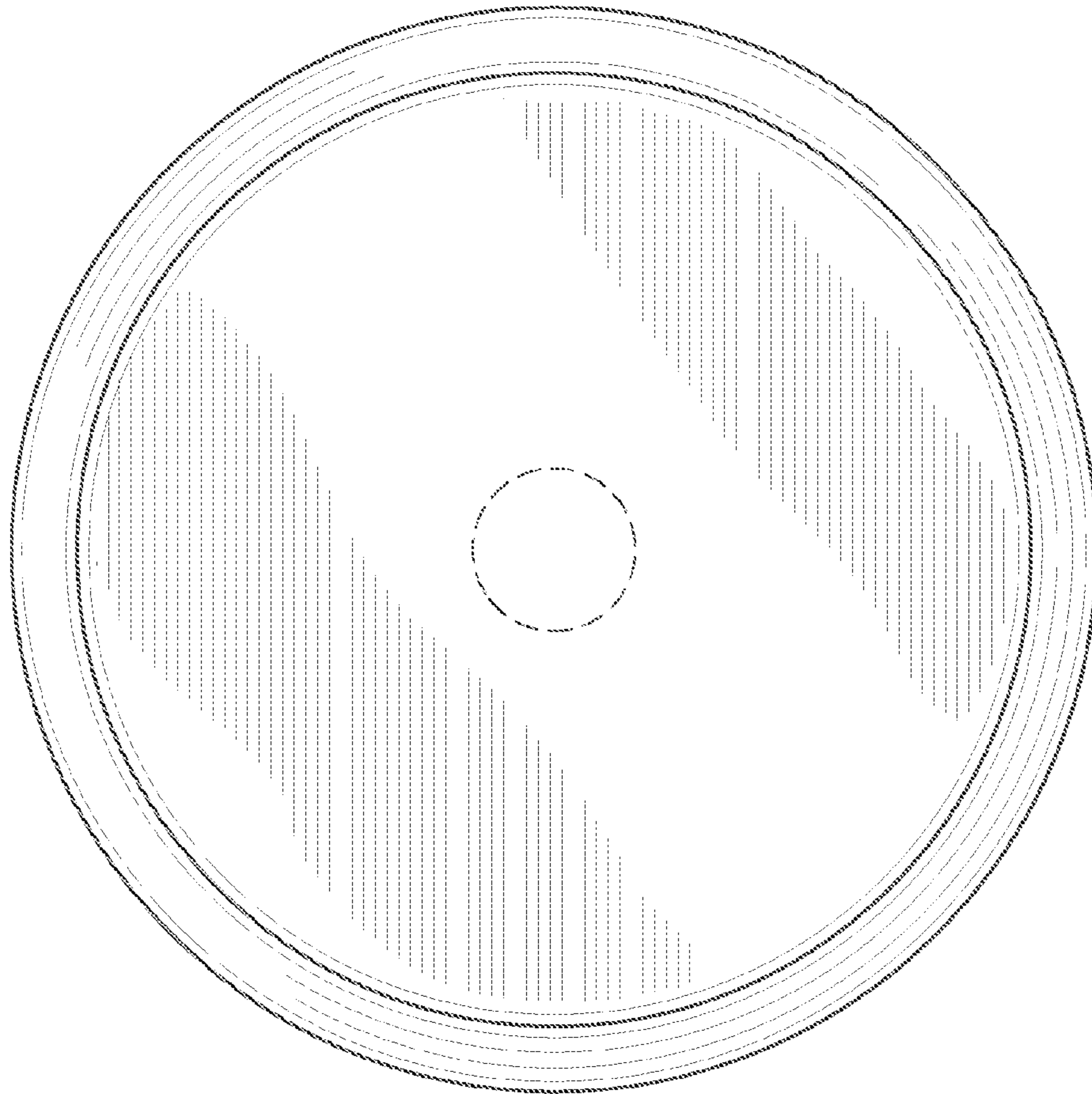


FIG. 3

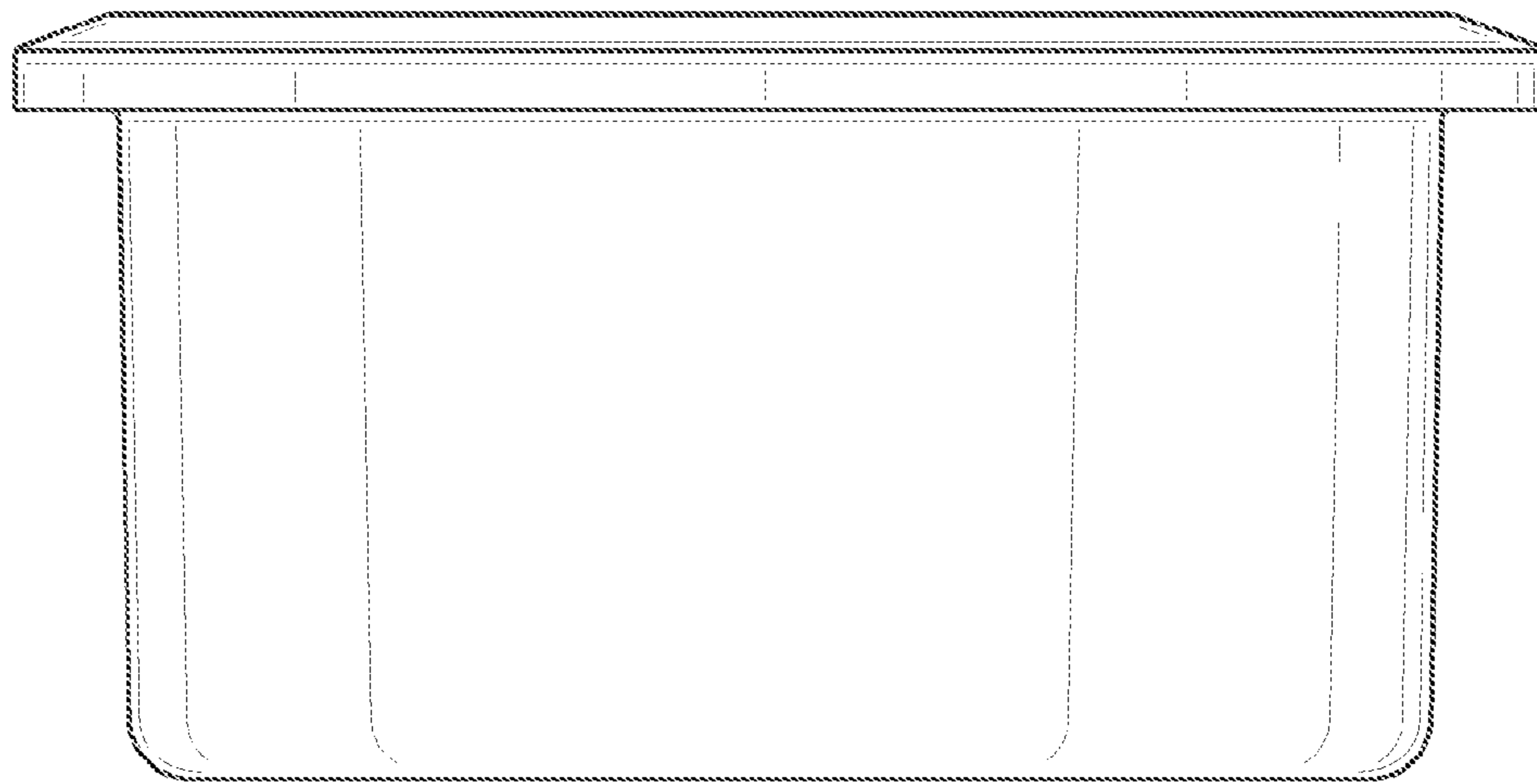


FIG. 4

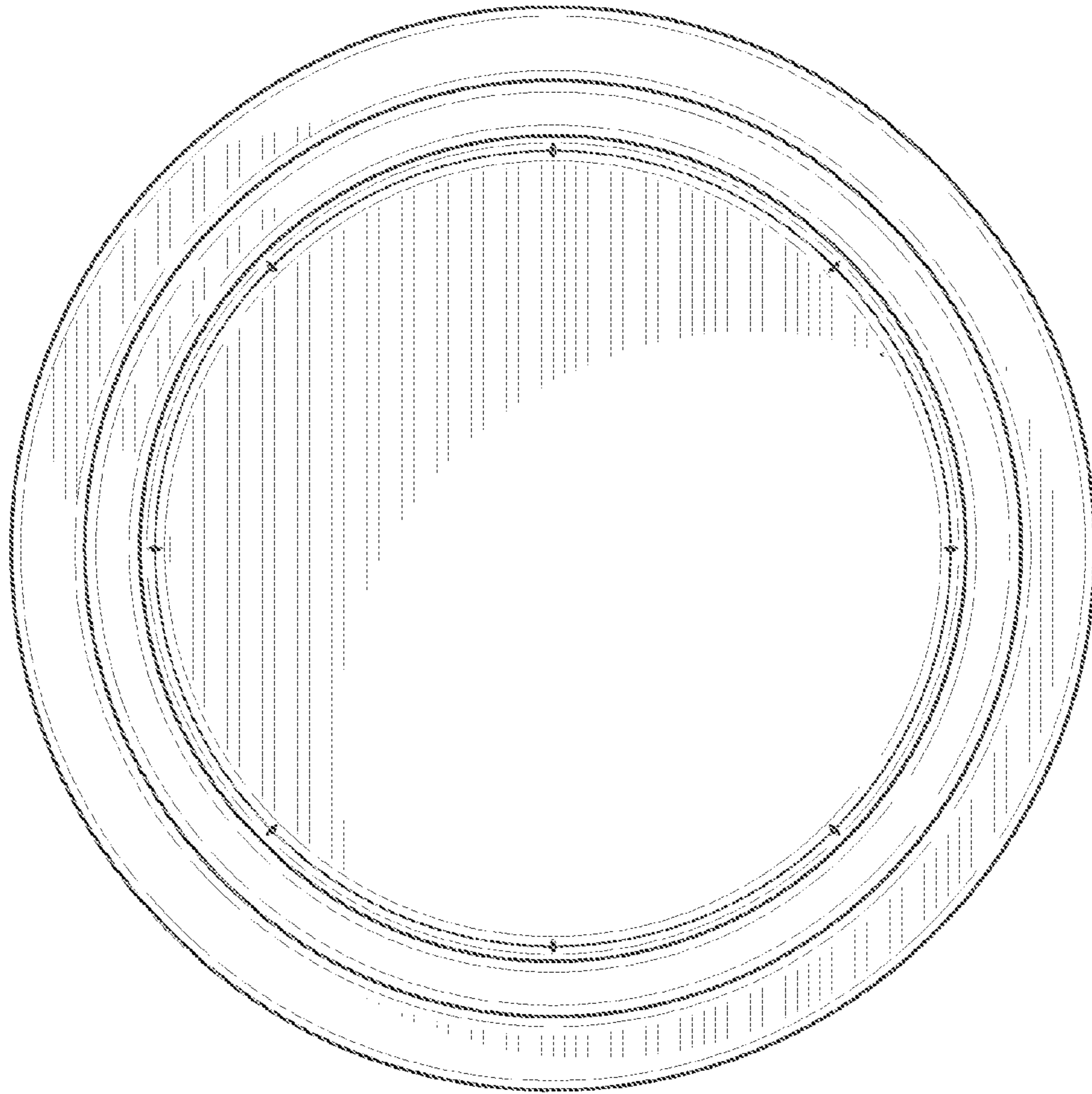


FIG. 5

