



US00D635043S

(12) **United States Design Patent**
Loadholt

(10) **Patent No.:** **US D635,043 S**

(45) **Date of Patent:** **** Mar. 29, 2011**

(54) **EMERGENCY ASSISTANCE
COMMUNICATOR**

(76) Inventor: **Monica Loadholt**, Sacramento, CA (US)

(**) Term: **14 Years**

(21) Appl. No.: **29/317,603**

(22) Filed: **May 2, 2008**

(51) **LOC (9) Cl.** **10-05**

(52) **U.S. Cl.** **D10/104**

(58) **Field of Classification Search** D10/114,
D10/104, 106, 109, 111; 362/542, 493, 480;
D26/28, 35, 80-86, 72-77; 340/468; D14/155,
D14/159

See application file for complete search history.

(56) **References Cited**

U.S. PATENT DOCUMENTS

D350,298 S *	9/1994	Horton	D10/104
D374,633 S *	10/1996	Freese et al.	D10/104
D445,705 S *	7/2001	Kliegman et al.	D10/104

D461,137 S *	8/2002	Micklos	D10/104
D559,718 S *	1/2008	Schaeken	D10/104
D565,982 S *	4/2008	Smith	D10/104

* cited by examiner

Primary Examiner — Caron Veynar

Assistant Examiner — George D Kirschbaum

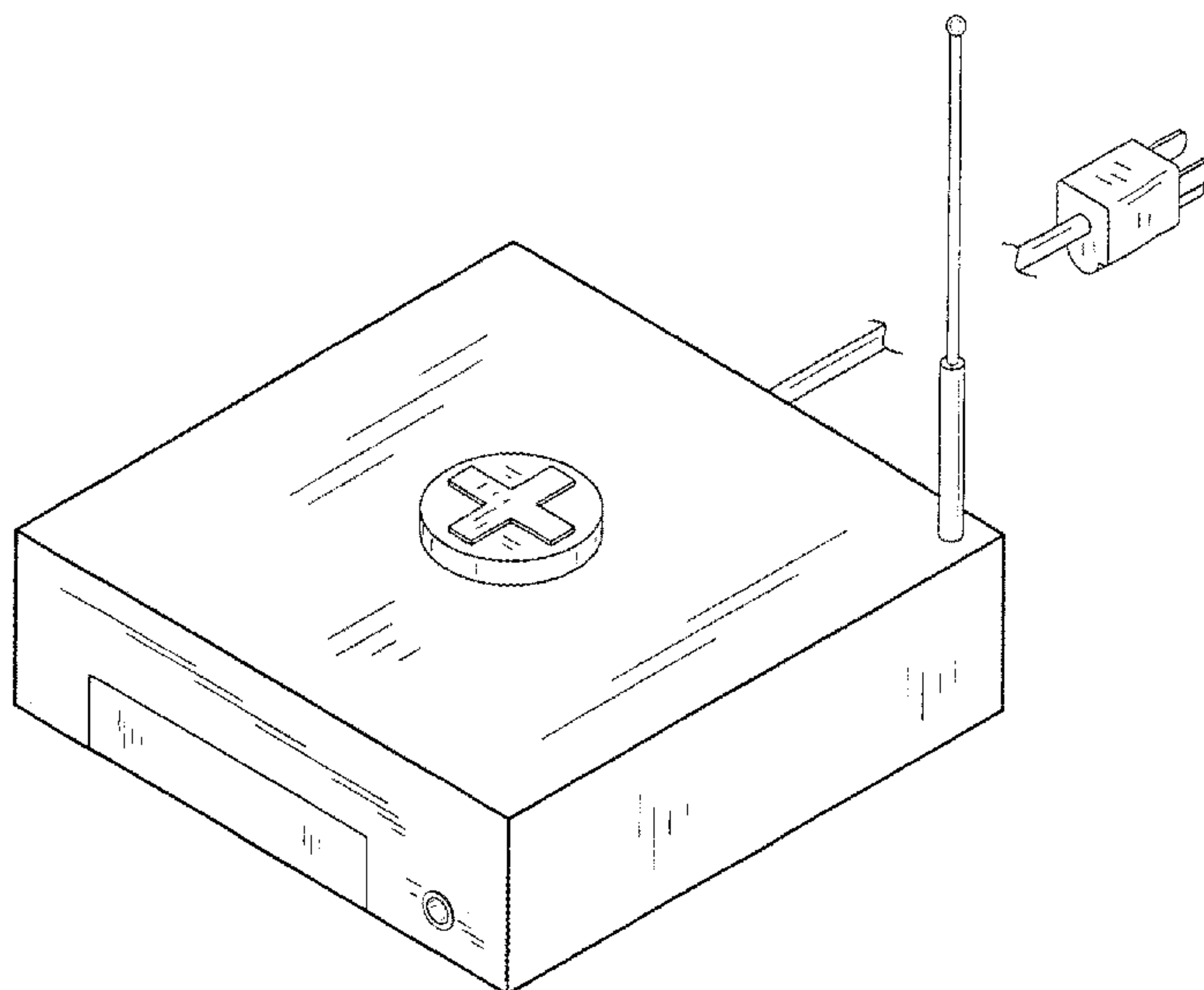
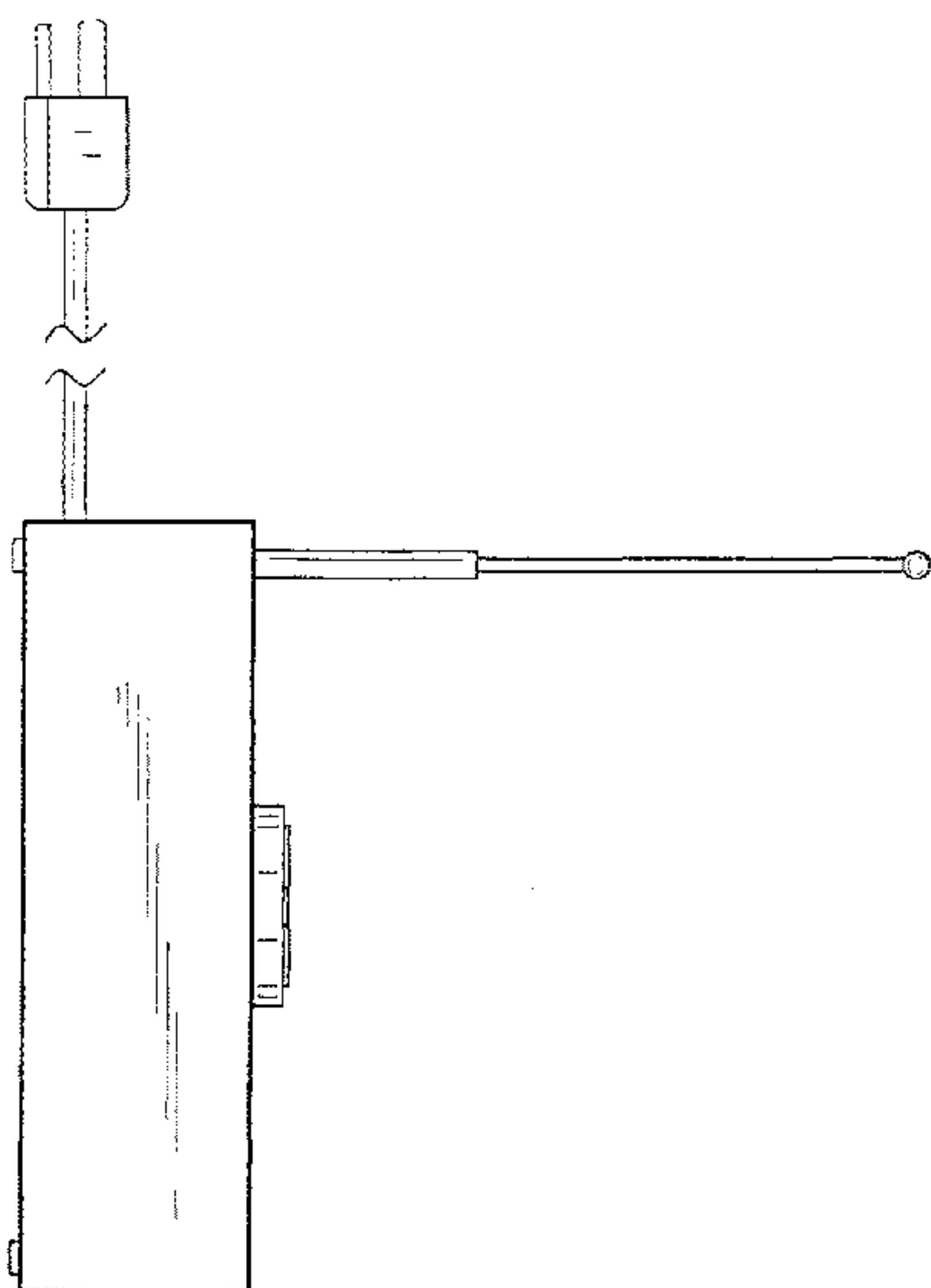
(57) **CLAIM**

I claim, the ornamental design for the emergency assistance communicator, as shown and described.

DESCRIPTION

FIG. 1 is a front elevational view of the emergency assistance communicator showing my new design;
 FIG. 2 is a rear elevational view of the emergency assistance communicator thereof;
 FIG. 3 is a left-side elevational view of the emergency assistance communicator thereof;
 FIG. 4 is a top plan view of the emergency assistance communicator thereof;
 FIG. 5 is a bottom plan view of the emergency assistance communicator thereof; and,
 FIG. 6 is a perspective view of the emergency assistance communicator thereof.

1 Claim, 3 Drawing Sheets



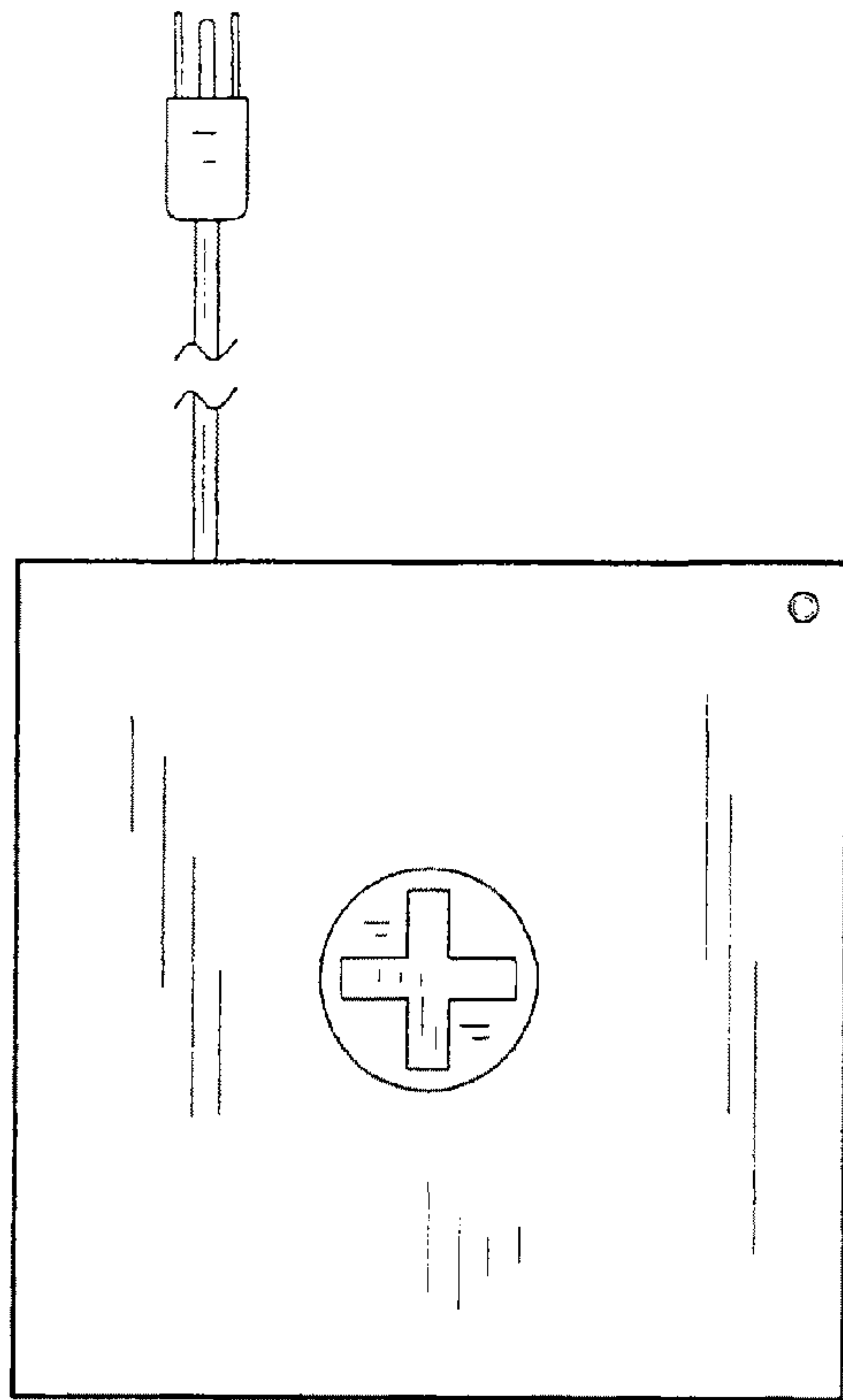


FIG. 1

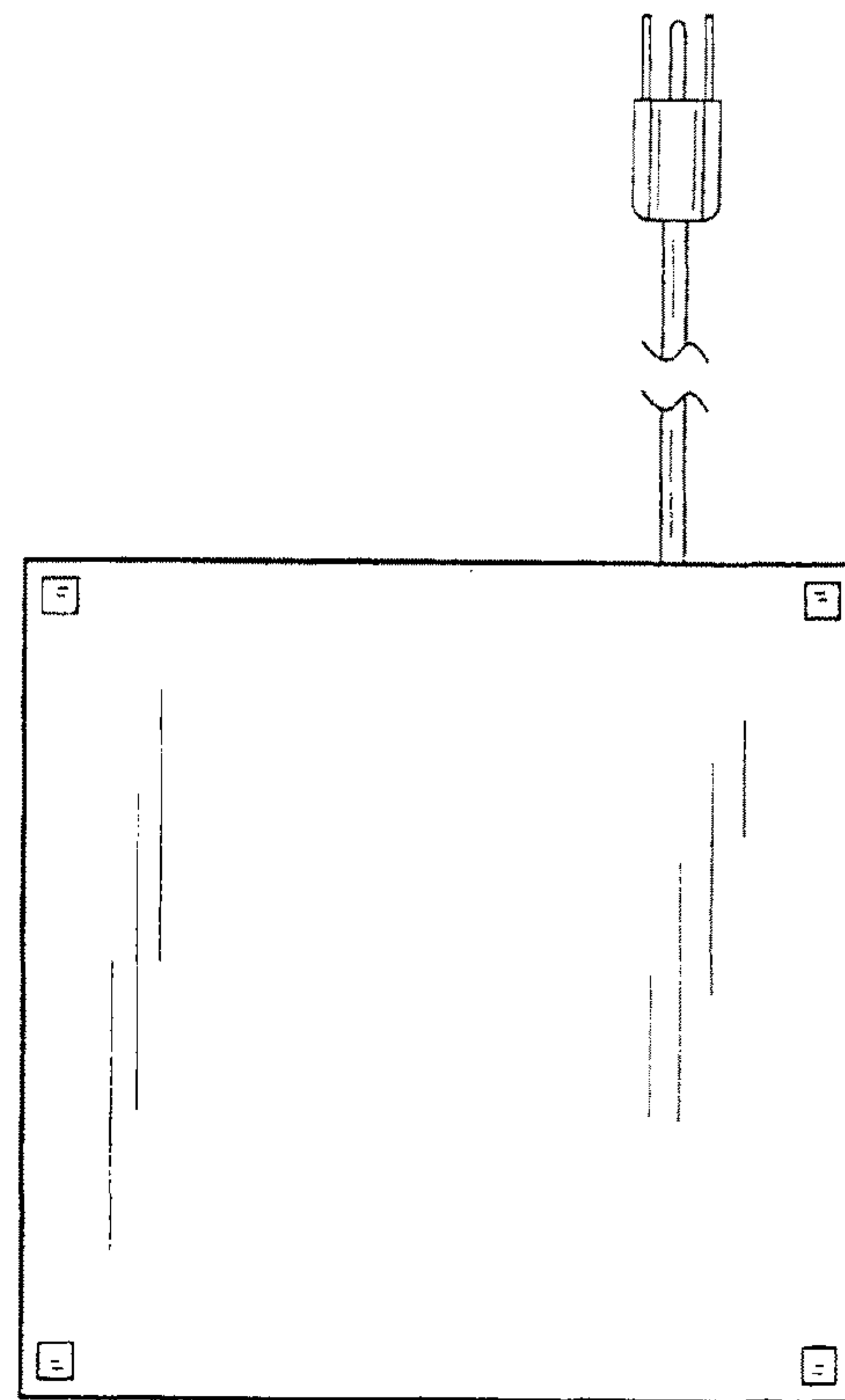


FIG. 2

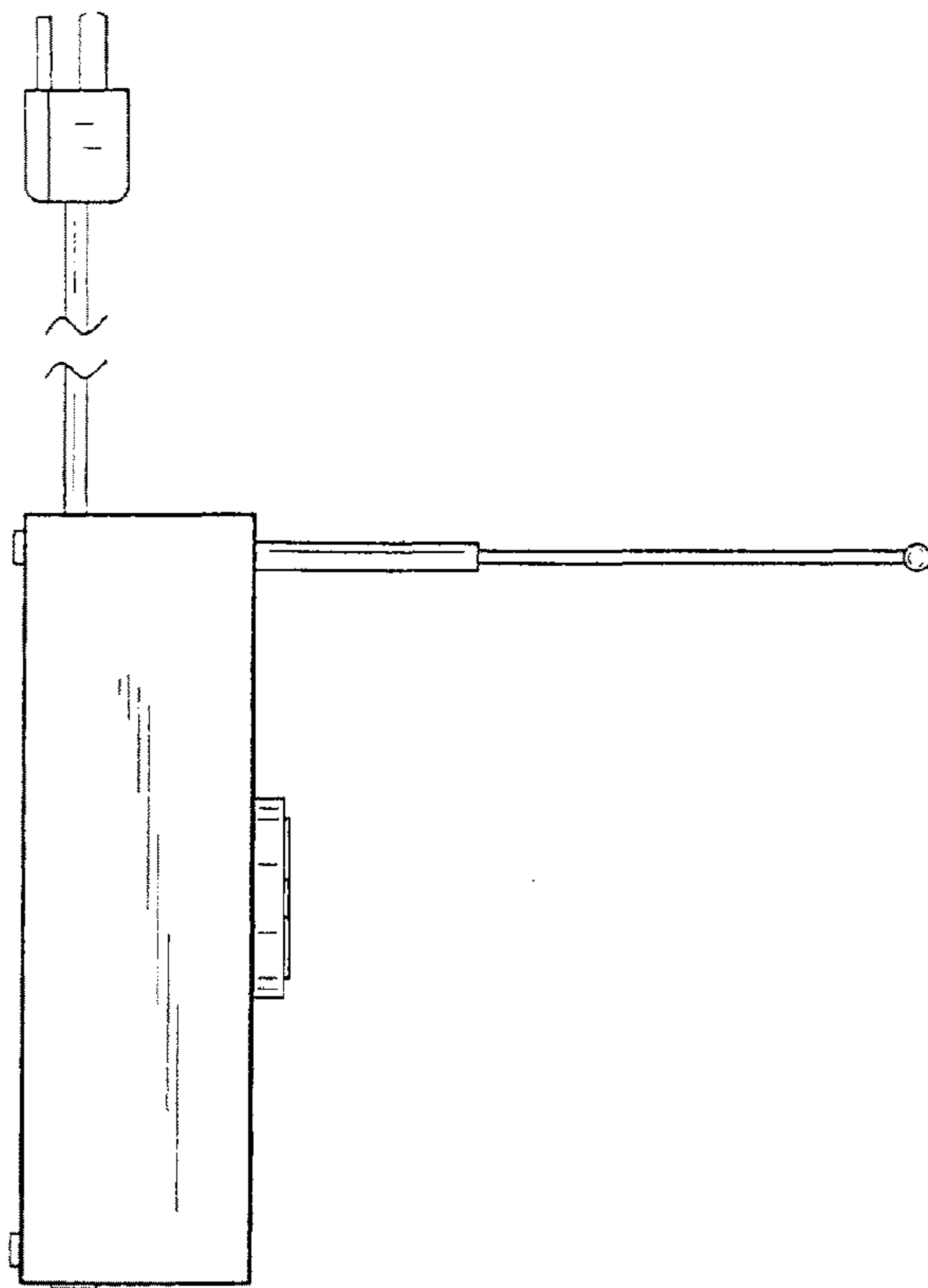


FIG. 3

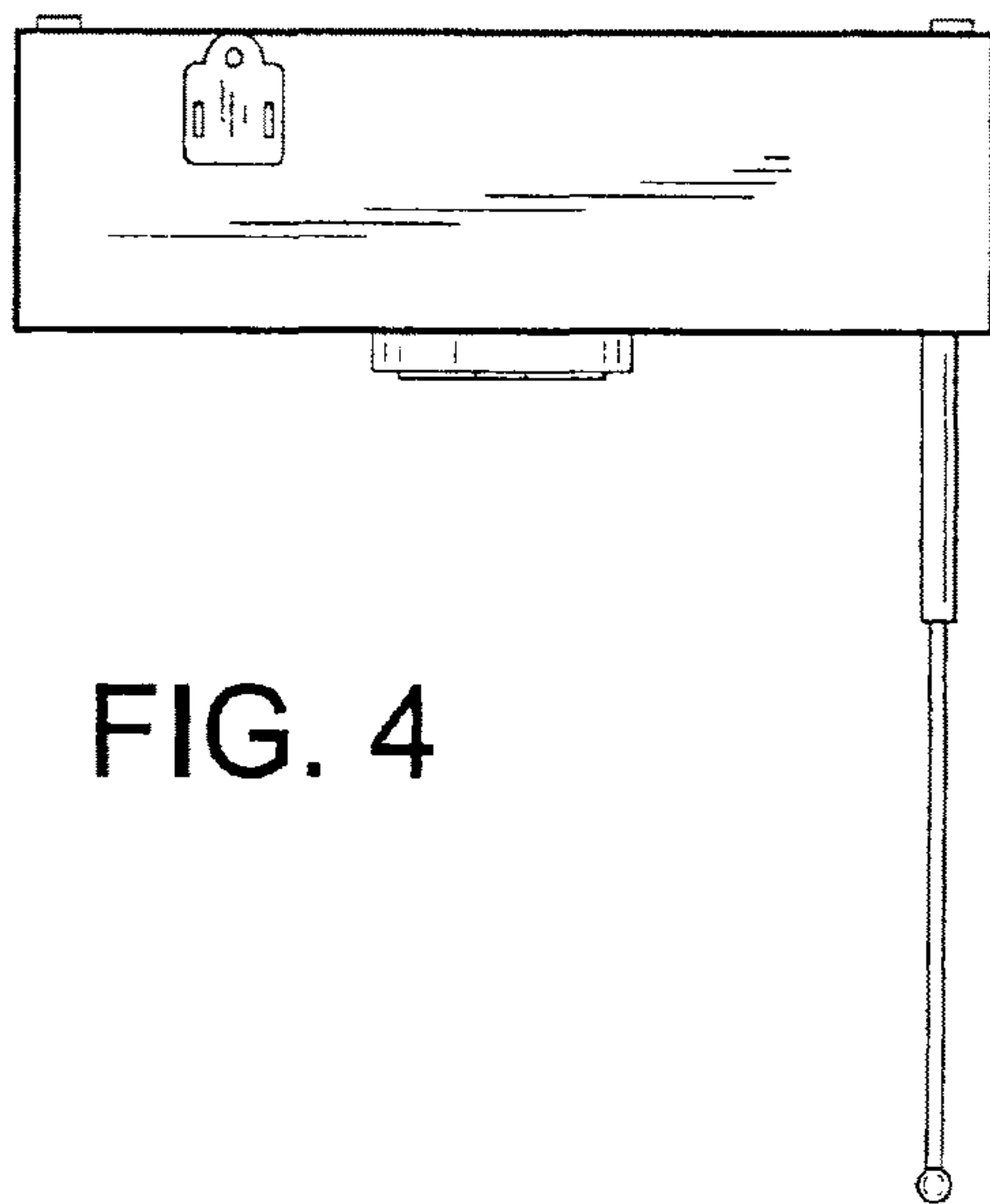


FIG. 4

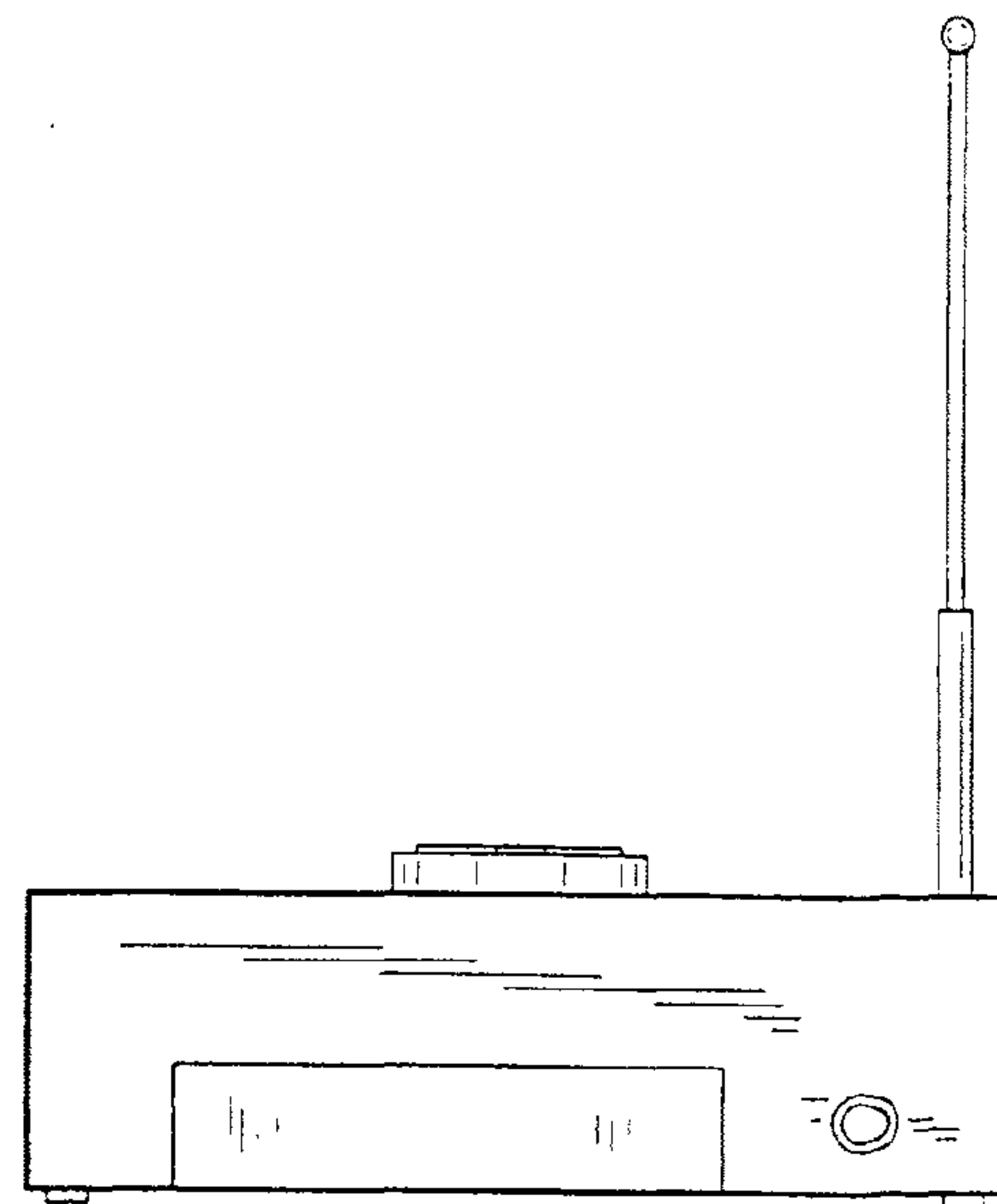


FIG. 5

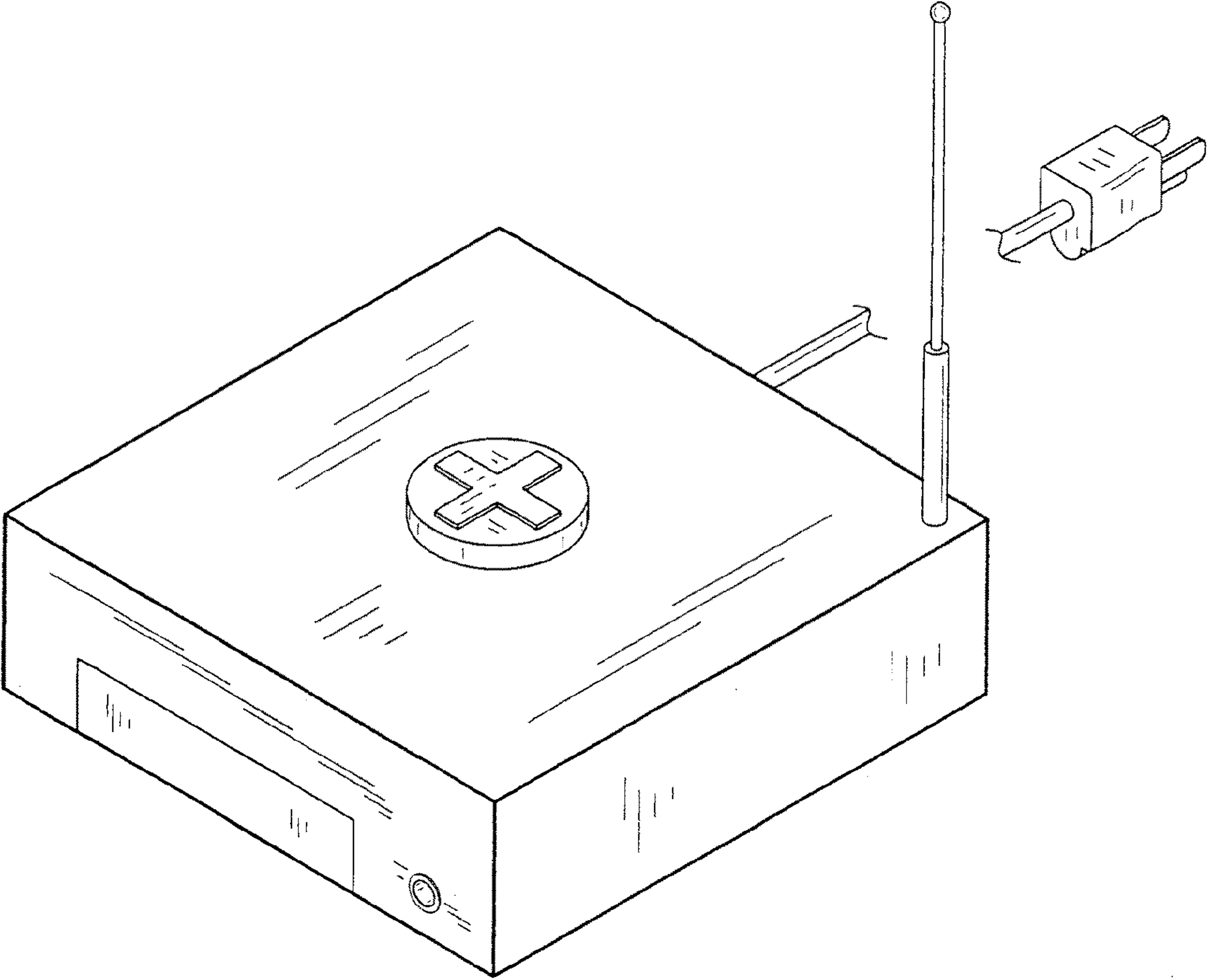


FIG. 6