



US00D635042S

(12) **United States Design Patent**
Phillips

(10) **Patent No.:** **US D635,042 S**
(45) **Date of Patent:** **** Mar. 29, 2011**

(54) **TAPE MEASURE HOLDER**
(76) Inventor: **Russell L. Phillips**, Arp, TX (US)
(**) Term: **14 Years**
(21) Appl. No.: **29/361,833**
(22) Filed: **May 15, 2010**
(51) **LOC (9) Cl.** **10-04**
(52) **U.S. Cl.** **D10/74**
(58) **Field of Classification Search** D10/72,
D10/74; 33/755-771; 242/285, 291, 379,
242/379.1, 379.2, 381, 381.1-381.6, 405
See application file for complete search history.

D452,610 S 1/2002 Schwartzmiller
6,641,011 B1 11/2003 Kahn
6,679,404 B2 1/2004 Brandt
D492,469 S 7/2004 Broxholm
D505,545 S 5/2005 Kay
D510,699 S * 10/2005 Crain et al. D8/395
7,175,061 B2 2/2007 Dohn
7,216,788 B2 5/2007 Blechman
7,263,785 B2 * 9/2007 Sullivan 33/768
2007/0180726 A1 8/2007 Harrell

* cited by examiner

Primary Examiner — Antoine D Davis
(74) *Attorney, Agent, or Firm* — Montgomery Patent and Design; Robert C. Montgomery; Joseph T. Yaksich

(57) **CLAIM**
The ornamental design for a tape measure holder, as shown and described.

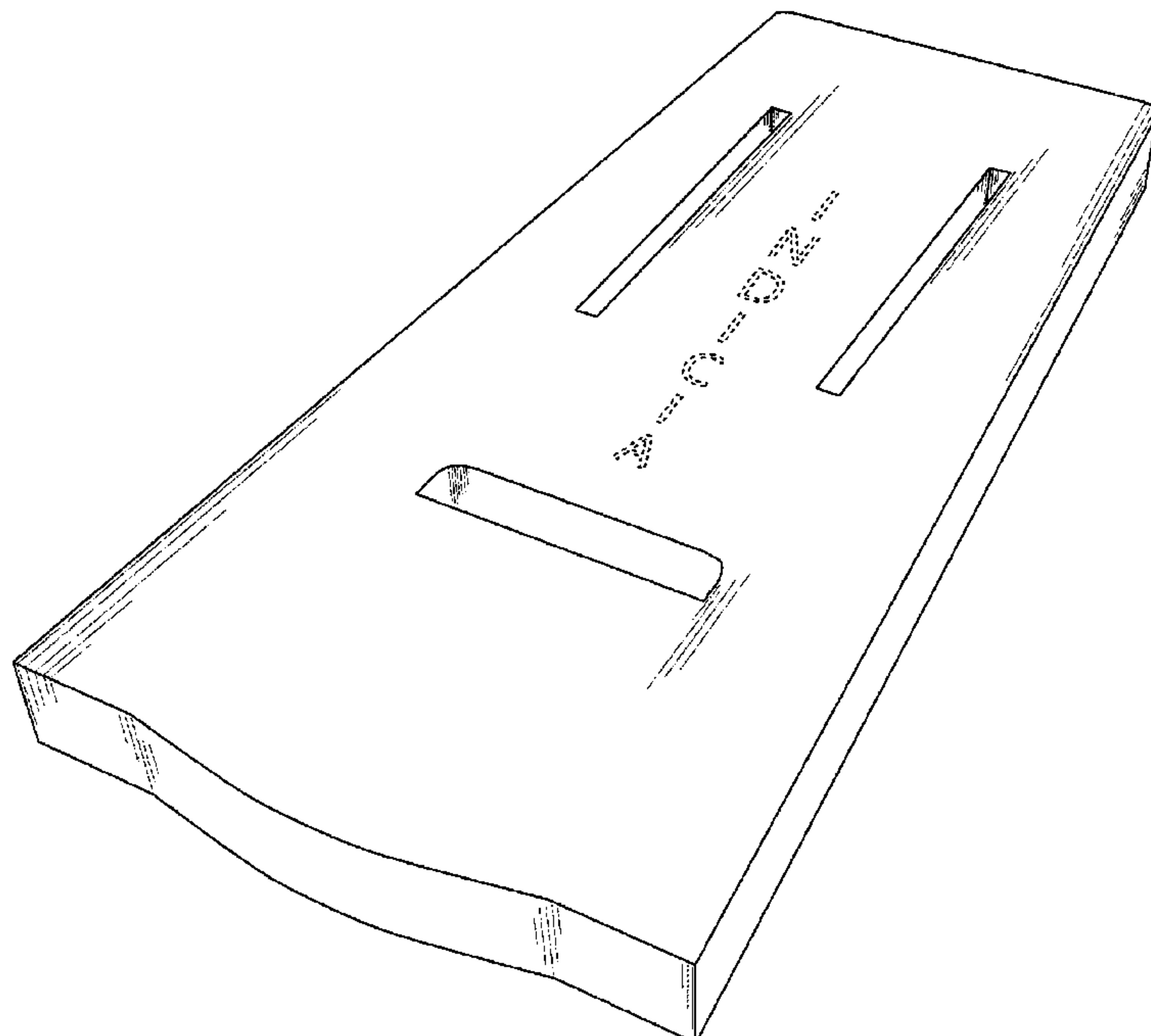
(56) **References Cited**

U.S. PATENT DOCUMENTS
D275,527 S 9/1984 Gee
4,821,933 A 4/1989 Seber
5,100,037 A 3/1992 Koptya et al.
5,248,072 A 9/1993 Jones
5,388,741 A 2/1995 Hillinger
5,450,994 A 9/1995 Malinowski
5,551,613 A 9/1996 Malinowski
D374,766 S 10/1996 Raus
D388,249 S 12/1997 Negron
5,743,451 A 4/1998 Kahn
D417,073 S 11/1999 Diener et al.
D423,959 S * 5/2000 Taylor D10/72
D437,999 S 2/2001 Williamson
D442,076 S 5/2001 Swanson
6,318,610 B1 11/2001 Doherty

DESCRIPTION

FIG. 1 is a front perspective view of a tape measure holder, showing my new design;
FIG. 2 is front view thereof;
FIG. 3 is a rear view thereof;
FIG. 4 is a left side view with a right side view being the mirror image thereof;
FIG. 5 is a top view thereof; and,
FIG. 6 is a bottom view thereof.
The broken lines are for illustrative purposes only and form no part of the claimed design.

1 Claim, 5 Drawing Sheets



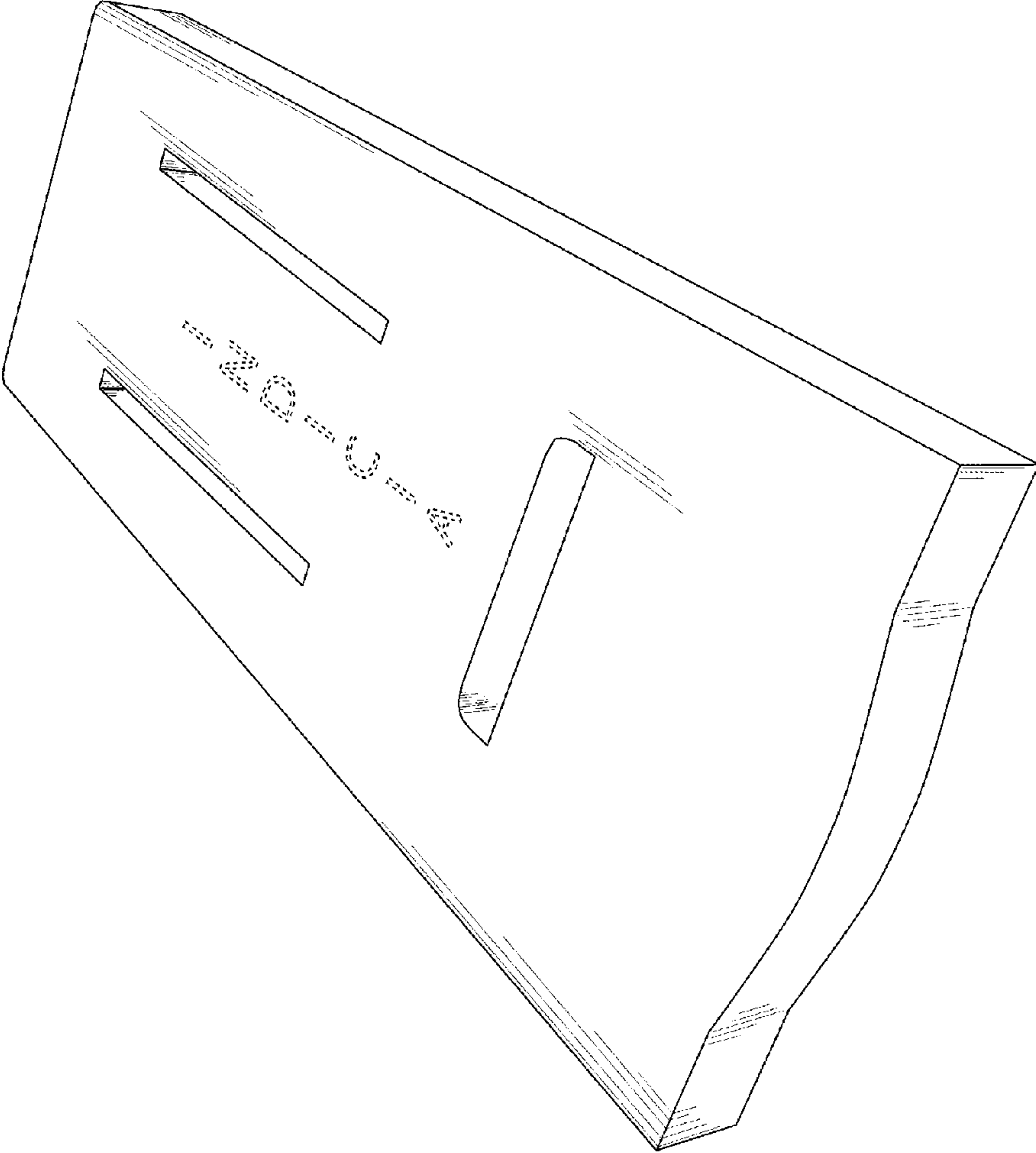


Fig. 1

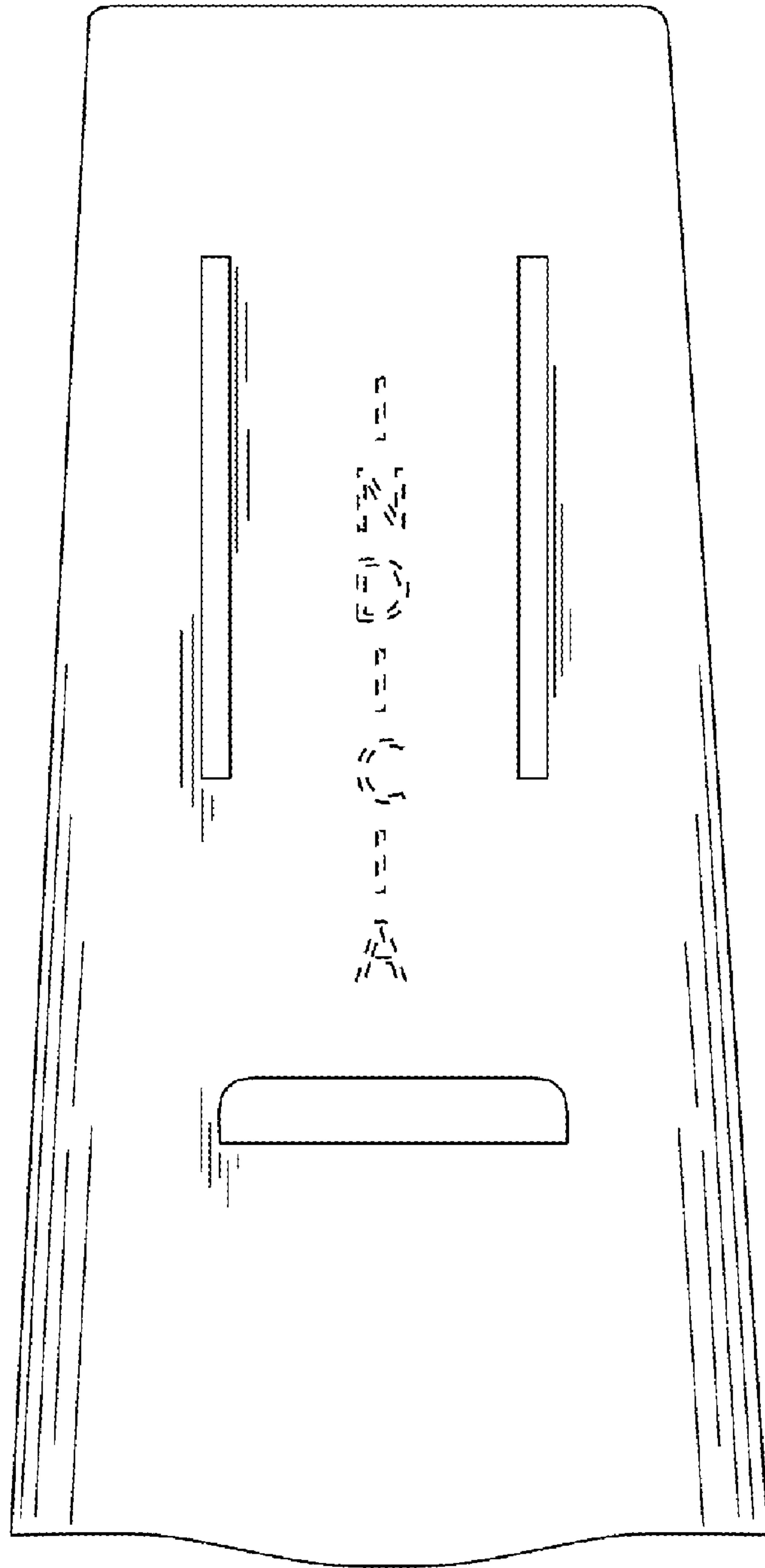


Fig. 2

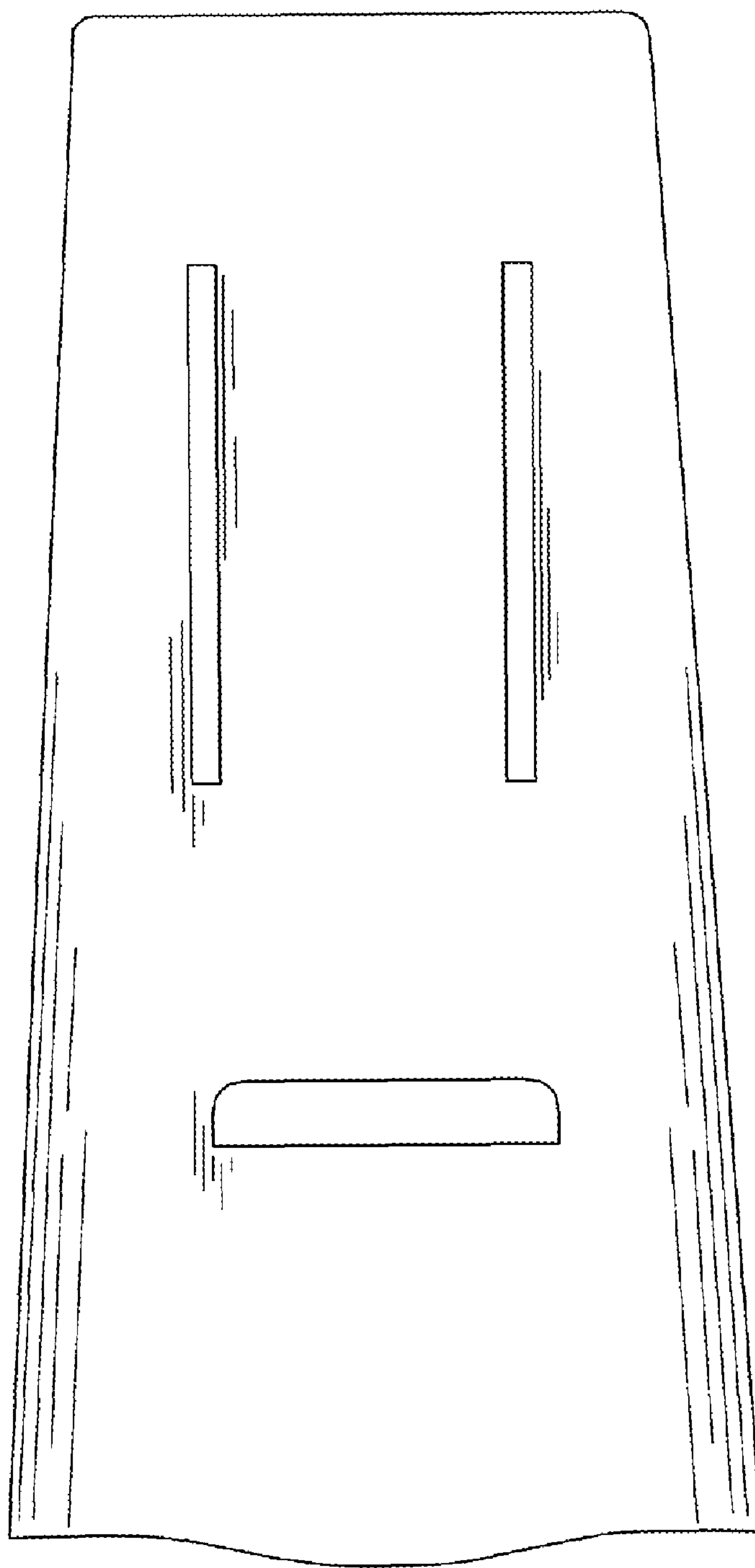


Fig. 3



Fig. 4

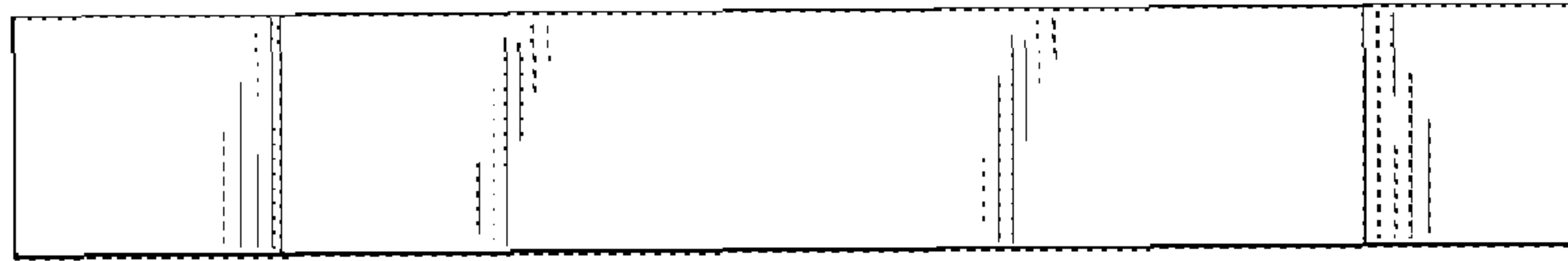


Fig. 5



Fig. 6