



US00D635041S

(12) **United States Design Patent**
Tsai

(10) **Patent No.:** **US D635,041 S**

(45) **Date of Patent:** **** Mar. 29, 2011**

(54) **RETRACTABLE PULL REEL**

(76) Inventor: **Hai Pin Tsai**, Kowloon (HK)

(**) Term: **14 Years**

(21) Appl. No.: **29/361,830**

(22) Filed: **May 14, 2010**

(30) **Foreign Application Priority Data**

Dec. 30, 2009 (HK) 0902227.2M001

(51) **LOC (9) Cl.** **10-04**

(52) **U.S. Cl.** **D10/72**

(58) **Field of Classification Search** D10/72,
D10/74; 33/755-771; 242/285, 291, 379,
242/379.1, 379.2, 381, 381.1-381.6, 405
See application file for complete search history.

(56) **References Cited**

U.S. PATENT DOCUMENTS

4,907,348 A * 3/1990 Hubbard, Jr. 33/767
D311,874 S * 11/1990 Ingram et al. D10/72
D315,109 S * 3/1991 Ingram et al. D10/72
D319,347 S * 8/1991 VanLandingham et al. ... D10/72

5,509,616 A * 4/1996 Millen et al. 242/381.5
5,791,580 A * 8/1998 Anderson et al. 242/378.4
6,474,585 B2 * 11/2002 Liao 242/378.1
D573,491 S * 7/2008 Tsai D10/72
D585,313 S * 1/2009 Mandel D10/72

* cited by examiner

Primary Examiner — Antoine D Davis

(74) *Attorney, Agent, or Firm* — Intellectual Property Law Group LLP; Juneko Jackson; Otto O. Lee

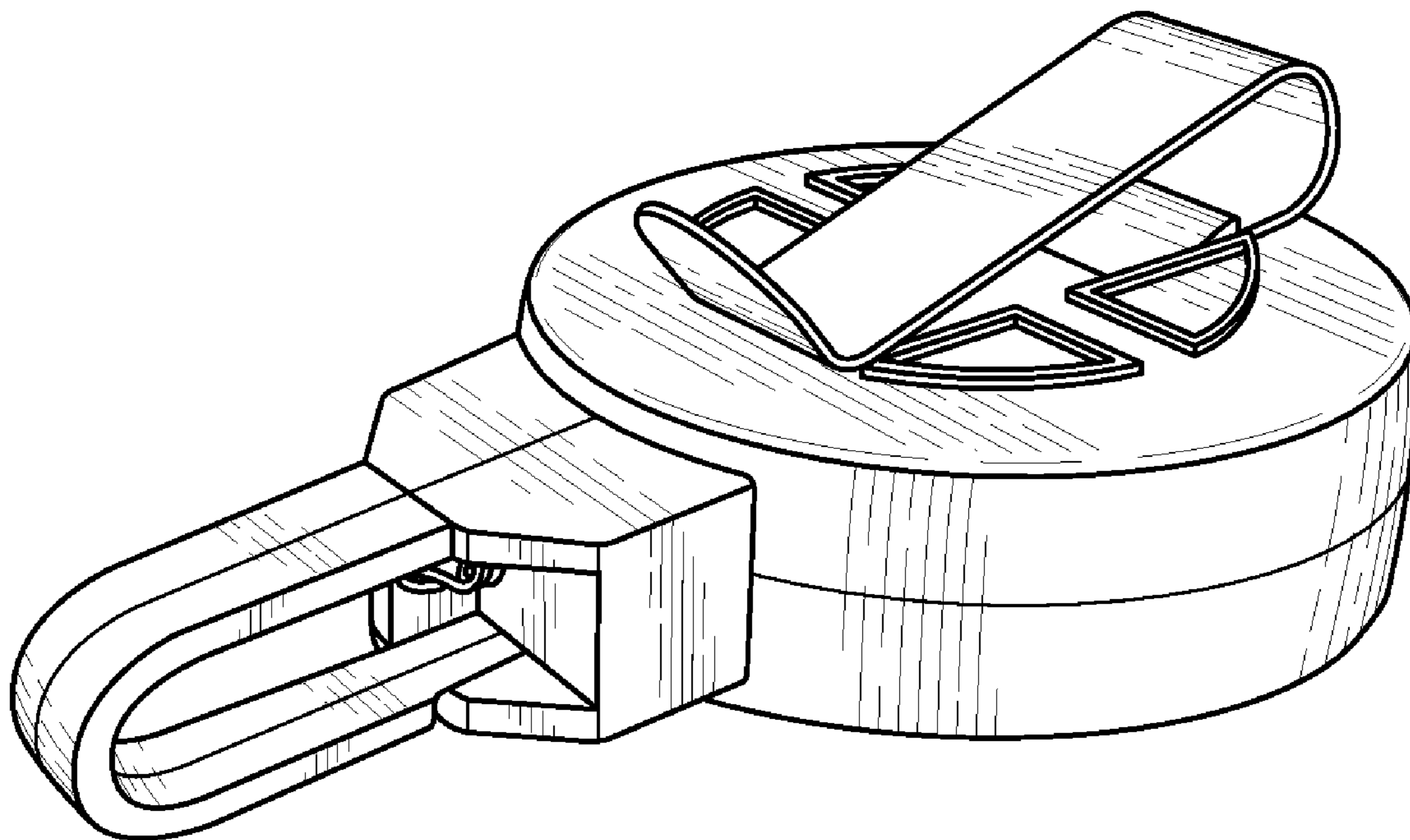
(57) **CLAIM**

The ornamental design for a retractable pull reel, as shown and described.

DESCRIPTION

FIG. 1 is a rear, bottom, right side perspective view of a retractable pull reel embodying my new design; FIG. 2 is a front, top, left side perspective view thereof; FIG. 3 is a rear elevational view thereof; FIG. 4 is a front elevational view thereof; FIG. 5 is a right side elevational view thereof; FIG. 6 is a left side elevational view thereof; FIG. 7 is a bottom plan view thereof; and, FIG. 8 is a top plan view thereof.

1 Claim, 3 Drawing Sheets



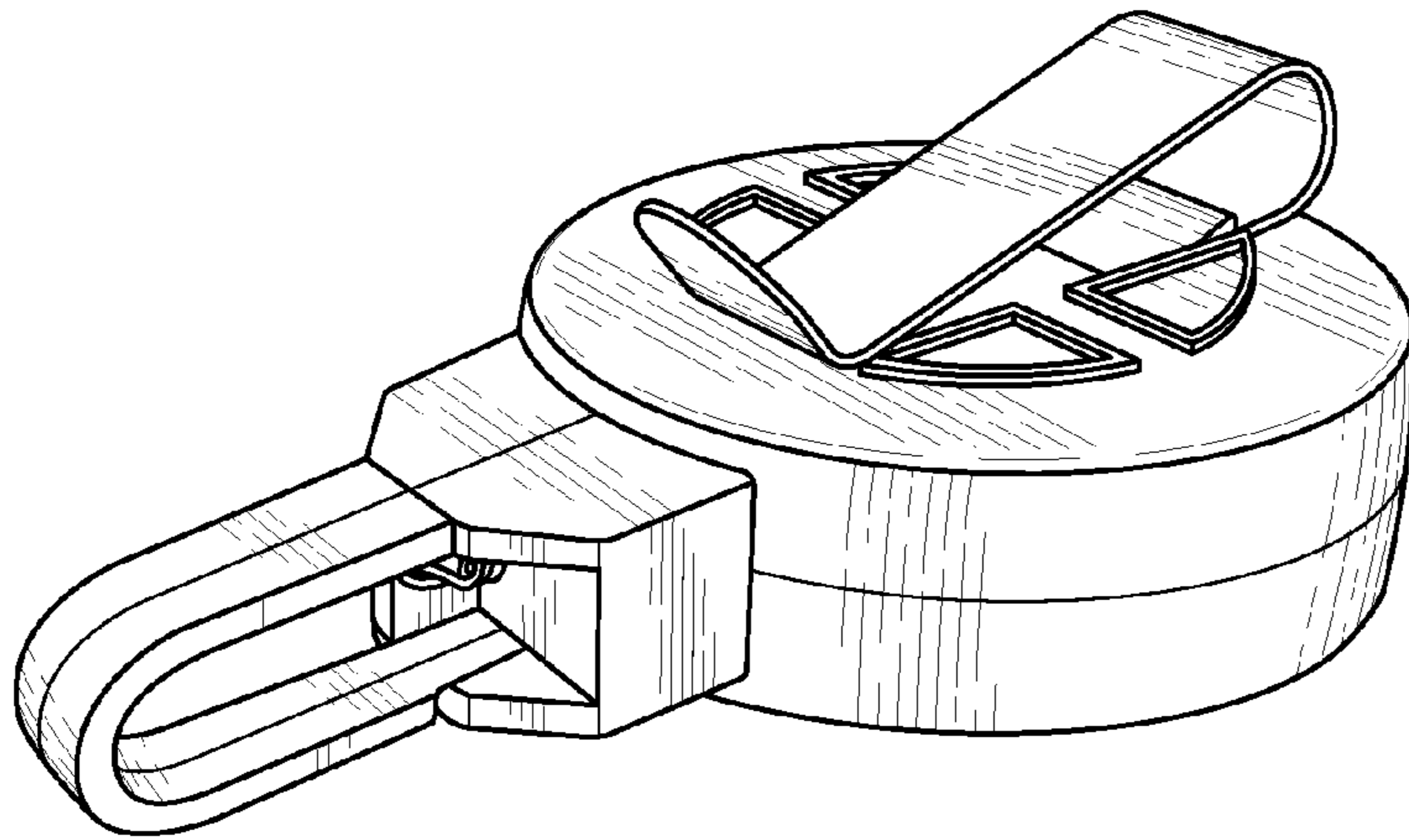


FIG. 1

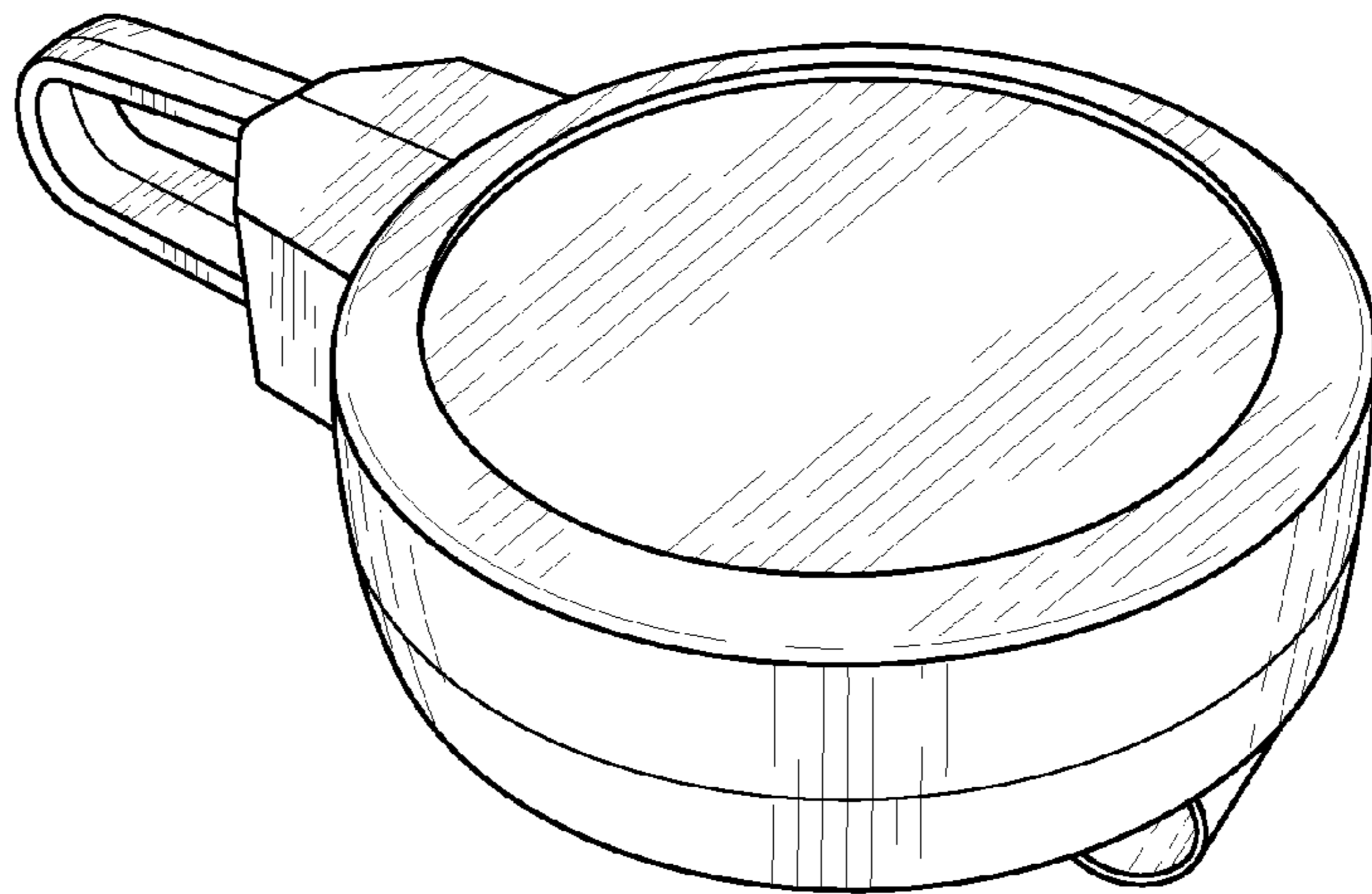


FIG. 2

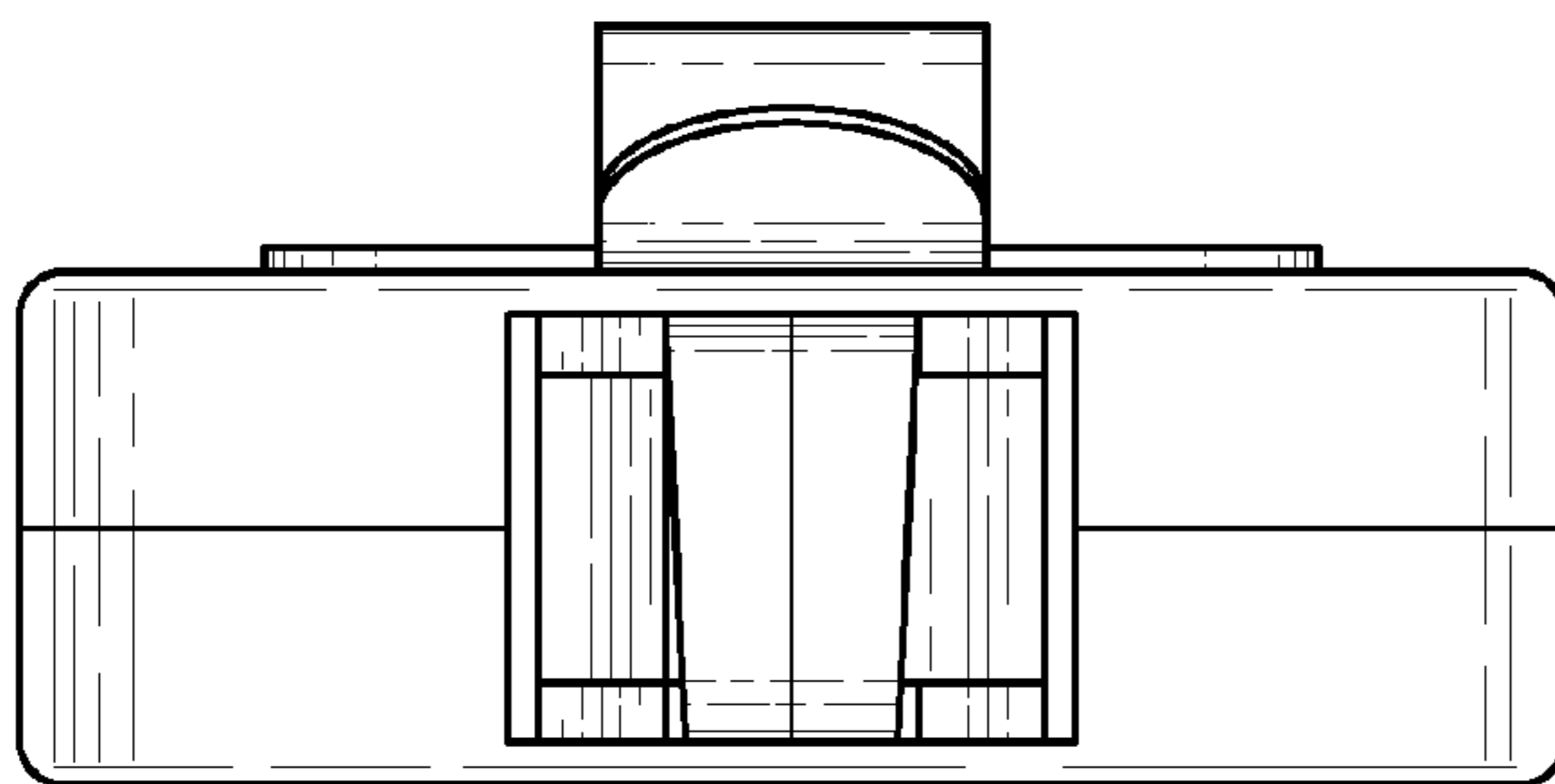


FIG. 3

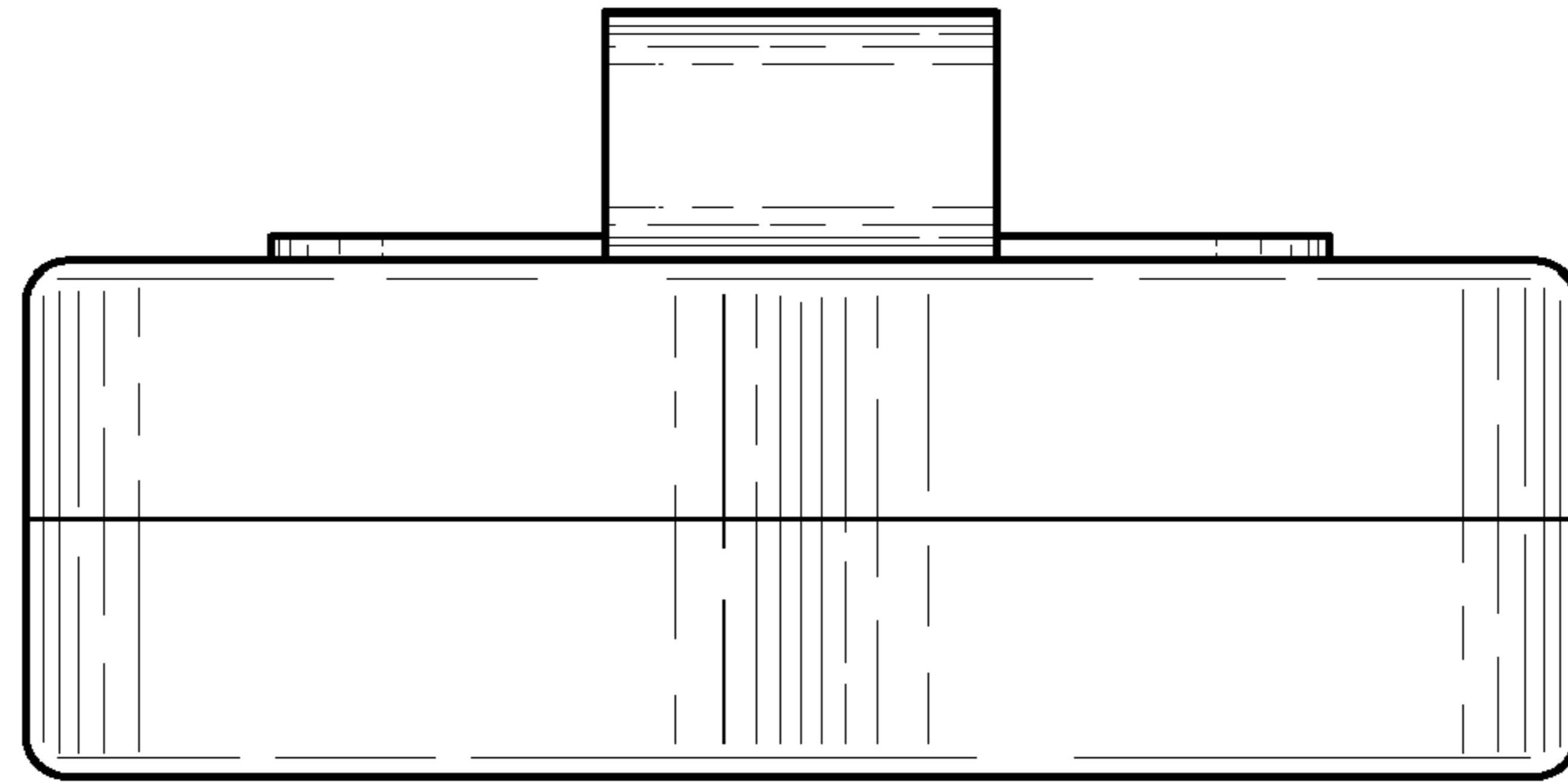


FIG. 4

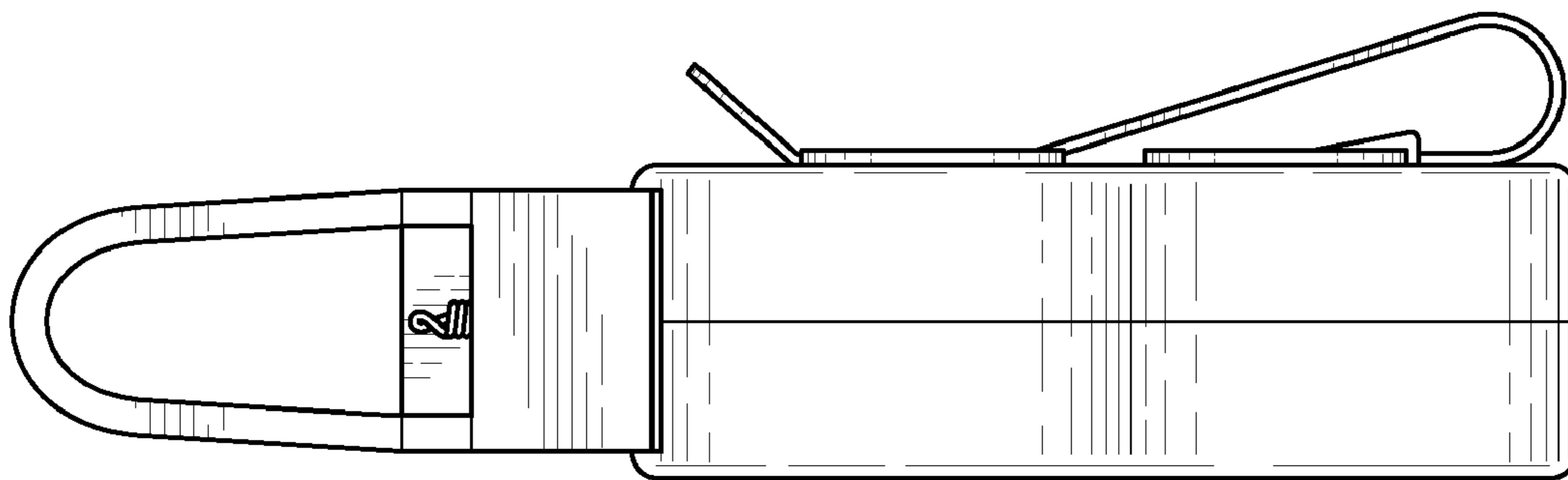


FIG. 5

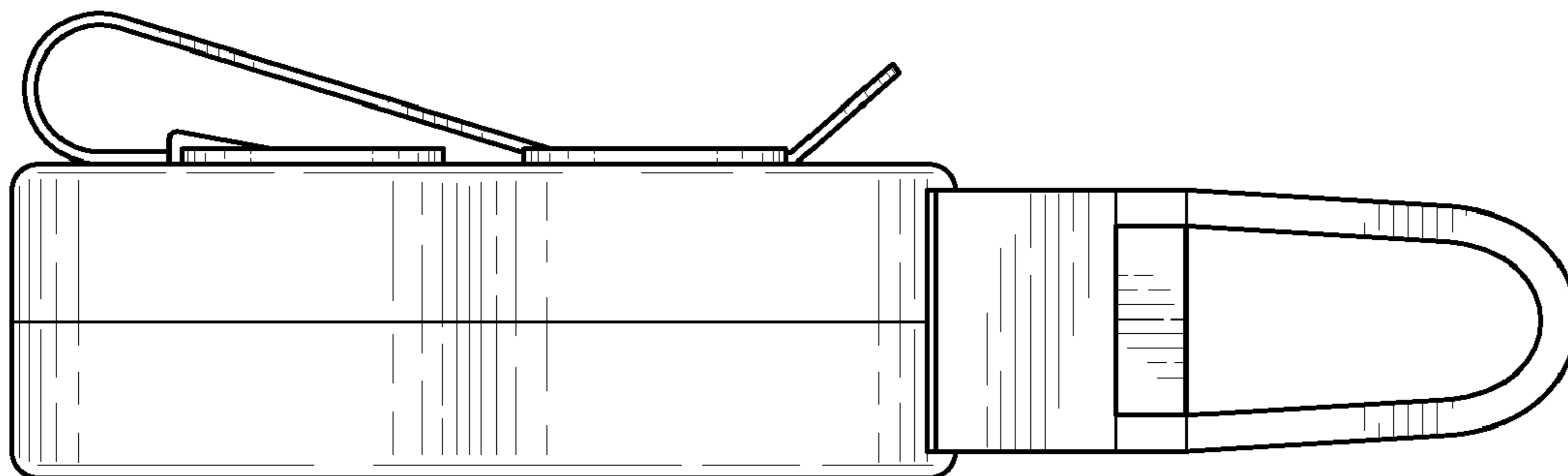


FIG. 6

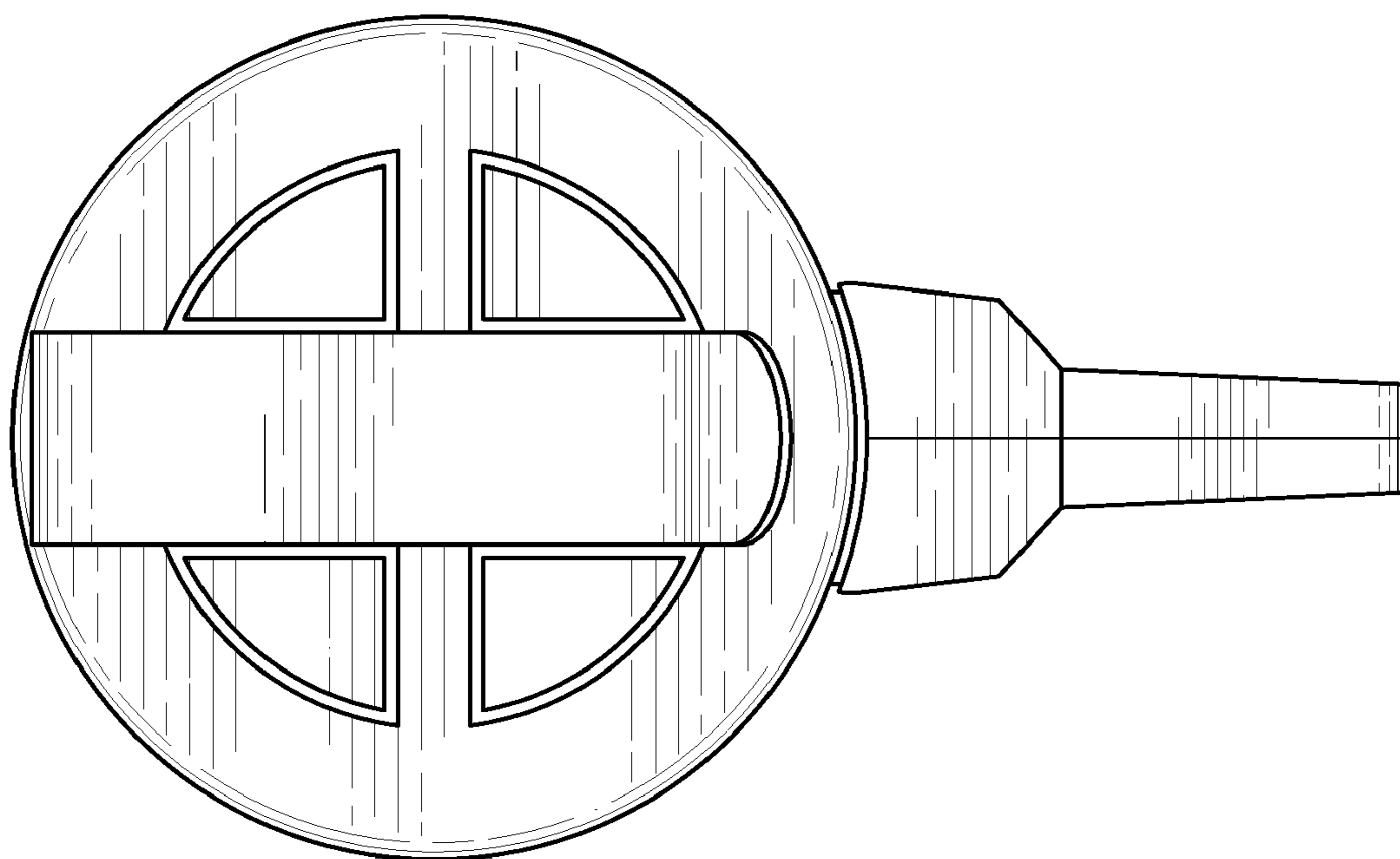


FIG. 7

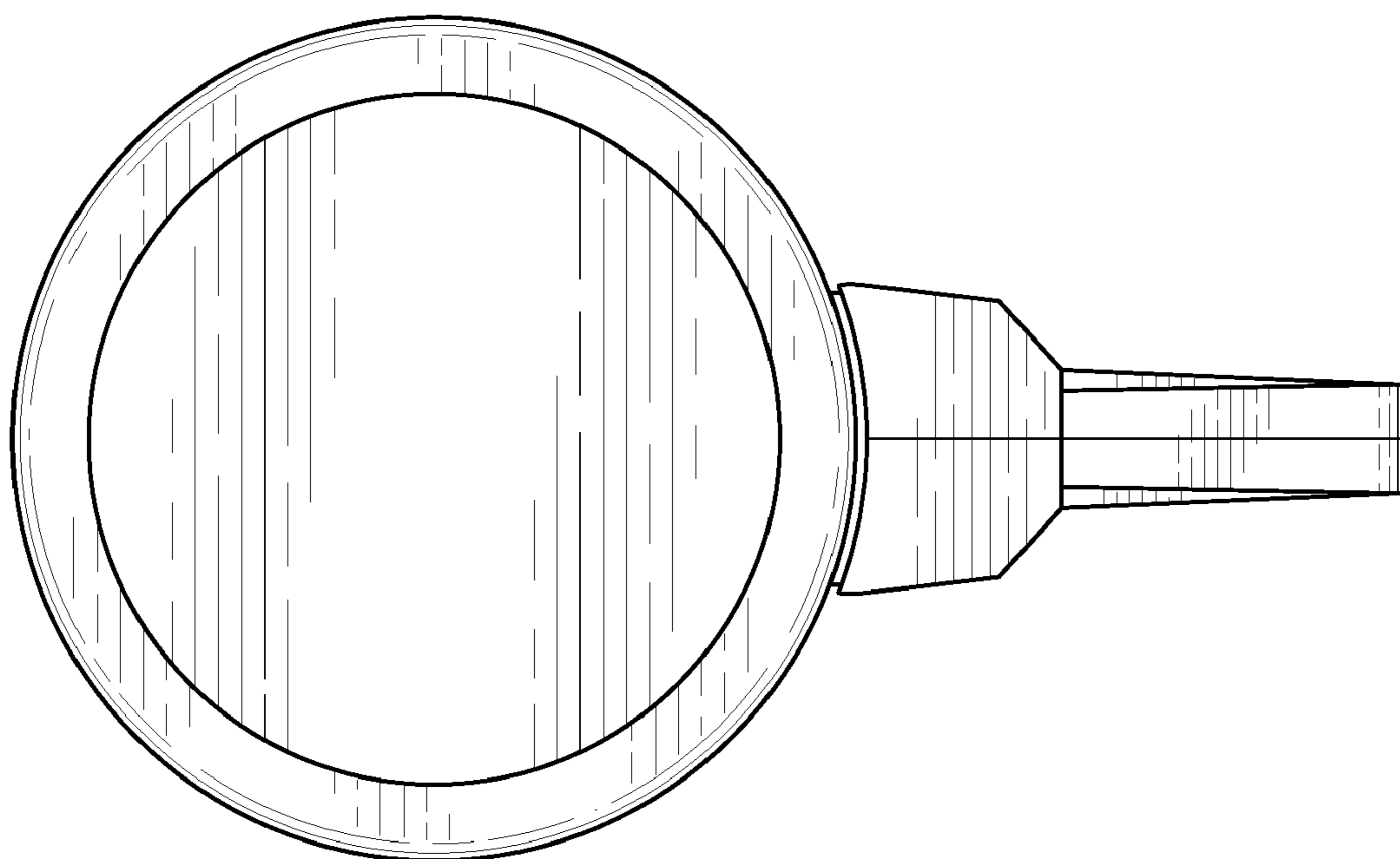


FIG. 8