



US00D635039S

(12) **United States Design Patent**
Tsai

(10) **Patent No.:** **US D635,039 S**

(45) **Date of Patent:** **** Mar. 29, 2011**

(54) **RETRACTABLE PULL REEL**

(76) Inventor: **Hai Pin Tsai**, Kowloon (HK)

(**) Term: **14 Years**

(21) Appl. No.: **29/360,718**

(22) Filed: **Apr. 29, 2010**

(51) **LOC (9) Cl.** **10-04**

(52) **U.S. Cl.** **D10/72**

(58) **Field of Classification Search** D10/72,
D10/74; 33/755-771; 242/285, 291, 379,
242/379.1, 379.2, 381, 381.1-381.6, 405
See application file for complete search history.

(56) **References Cited**

U.S. PATENT DOCUMENTS

4,907,348	A *	3/1990	Hubbard, Jr.	33/767
D311,874	S *	11/1990	Ingram et al.	D10/72
D315,109	S *	3/1991	Ingram et al.	D10/72
D319,347	S *	8/1991	VanLandingham et al.	...	D10/72
5,509,616	A *	4/1996	Millen et al.	242/381.5
5,791,580	A *	8/1998	Anderson et al.	242/378.4

6,474,585	B2 *	11/2002	Liao	242/378.1
D573,491	S *	7/2008	Tsai	D10/72
D585,313	S *	1/2009	Mandel	D10/72

* cited by examiner

Primary Examiner — Antoine D Davis

(74) *Attorney, Agent, or Firm* — Intellectual Property Law Group LLP; Juneko Jackson; Otto O. Lee

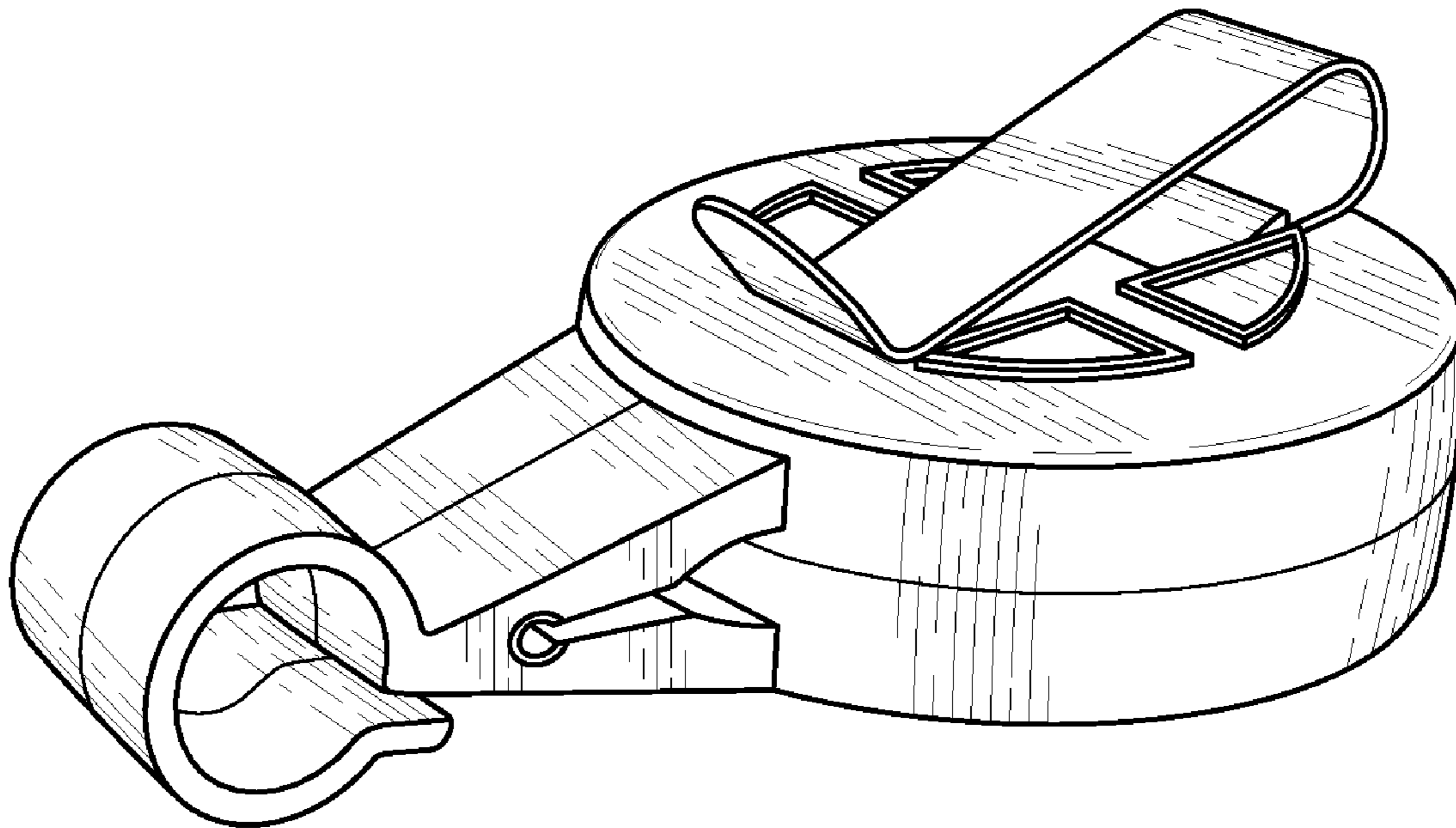
(57) **CLAIM**

The ornamental design for a retractable pull reel, as shown and described.

DESCRIPTION

FIG. 1 is a rear, bottom, right side perspective view of a retractable pull reel embodying my new design; FIG. 2 is a front, top, left side perspective view thereof; FIG. 3 is a rear elevational view thereof; FIG. 4 is a front elevational view thereof; FIG. 5 is a right side elevational view thereof; FIG. 6 is a left side elevational view thereof; FIG. 7 is a bottom plan view thereof; and, FIG. 8 is a top plan view thereof.

1 Claim, 3 Drawing Sheets



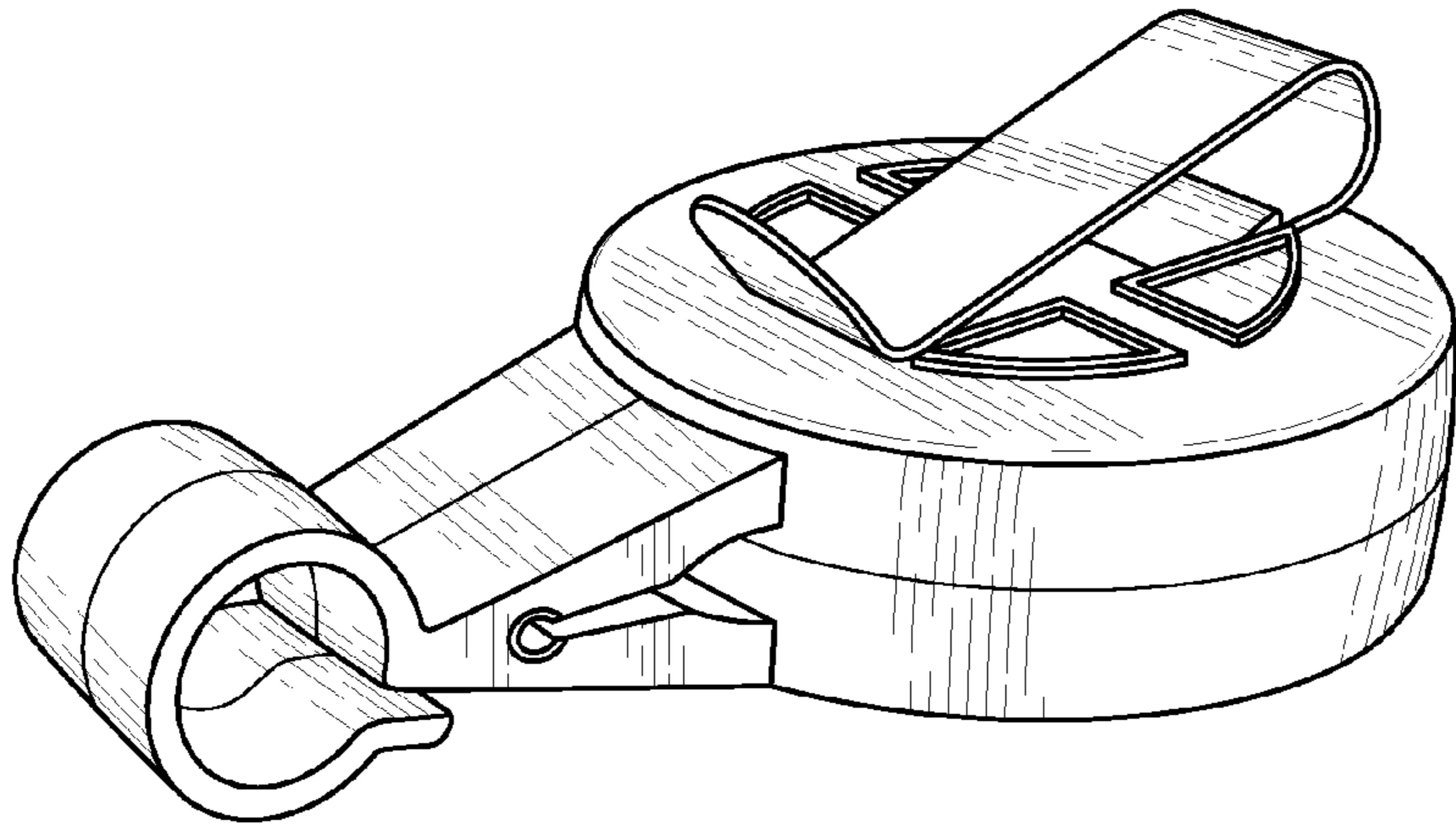


FIG. 1

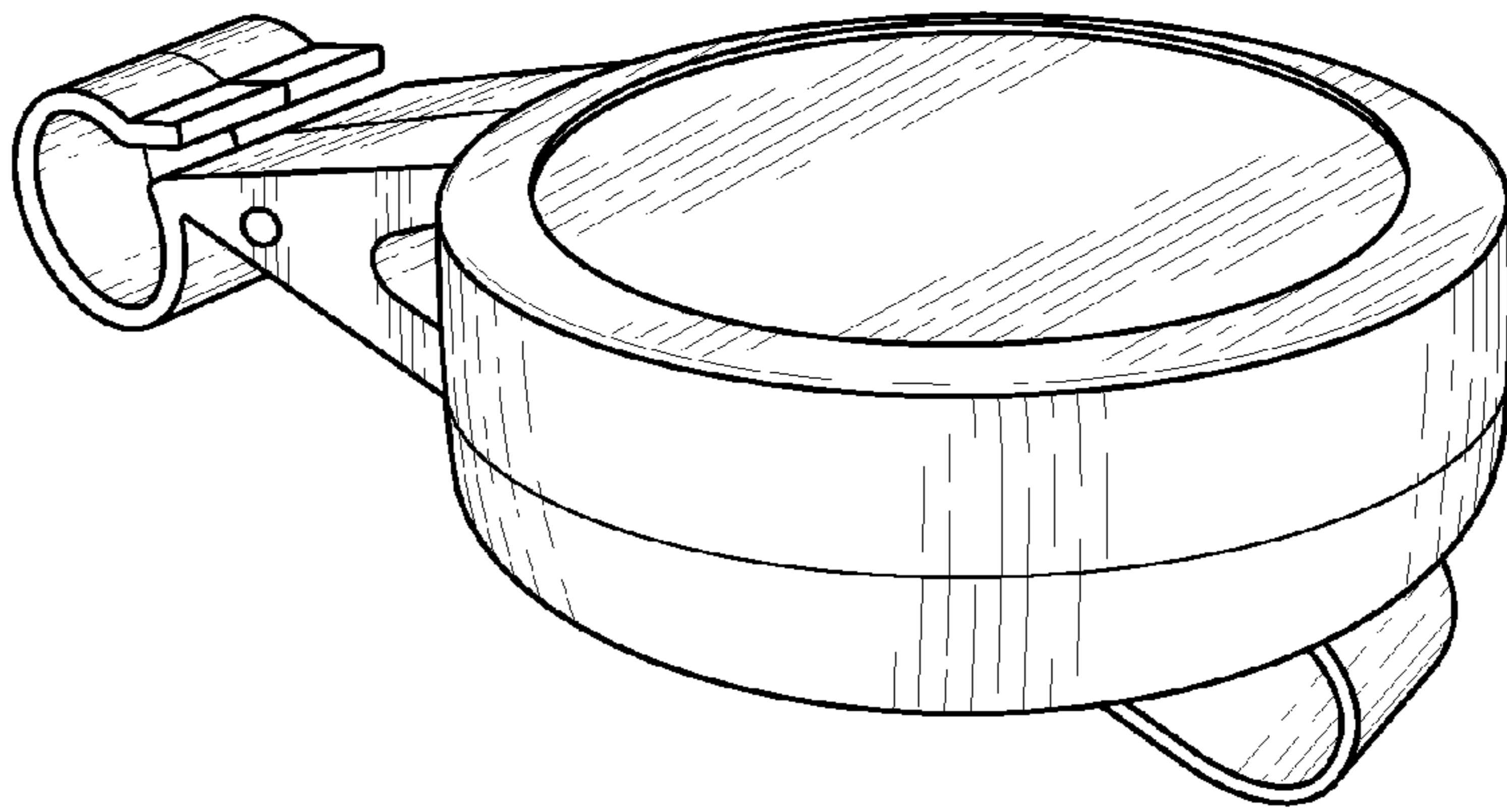


FIG. 2

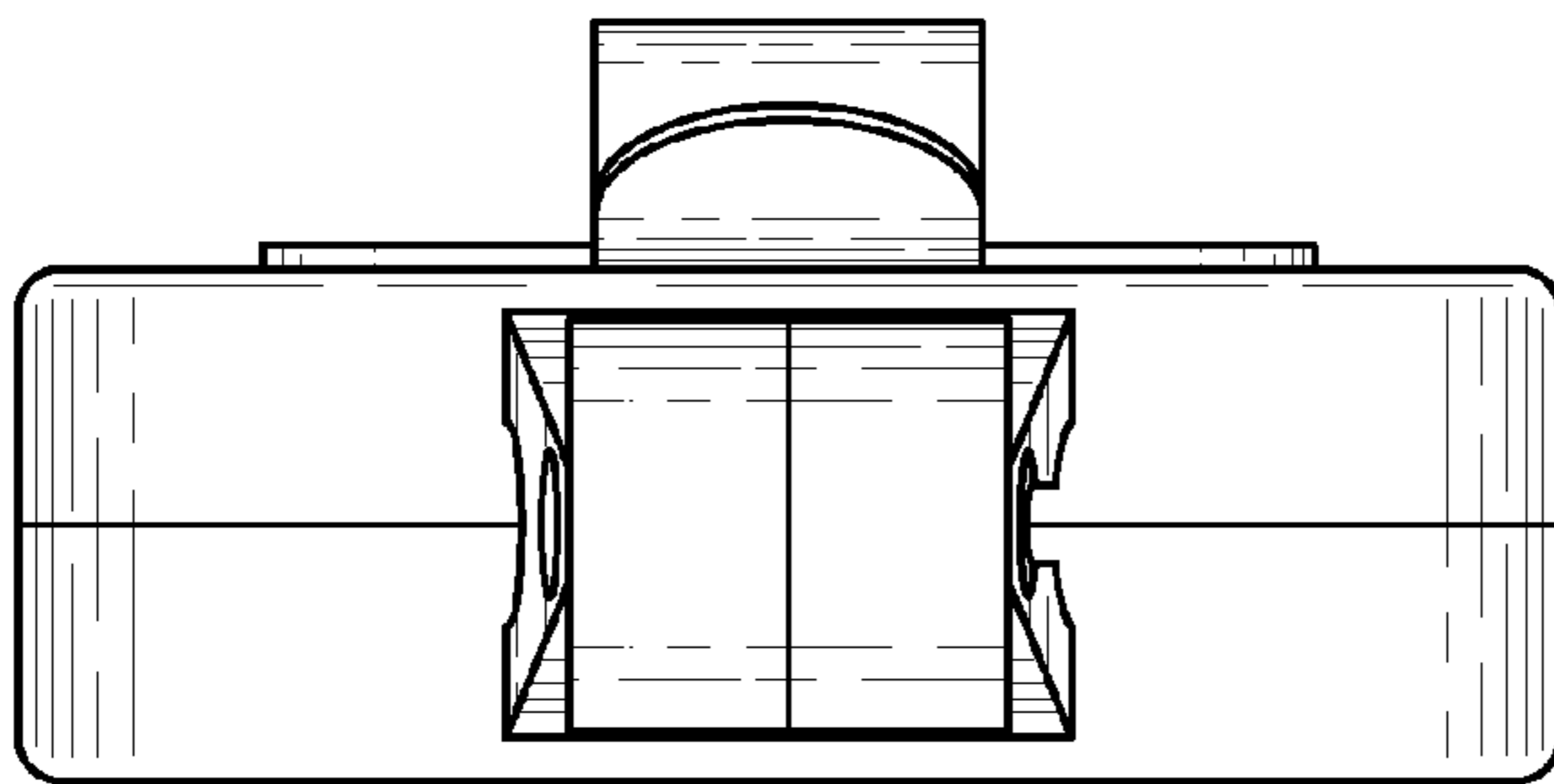


FIG. 3

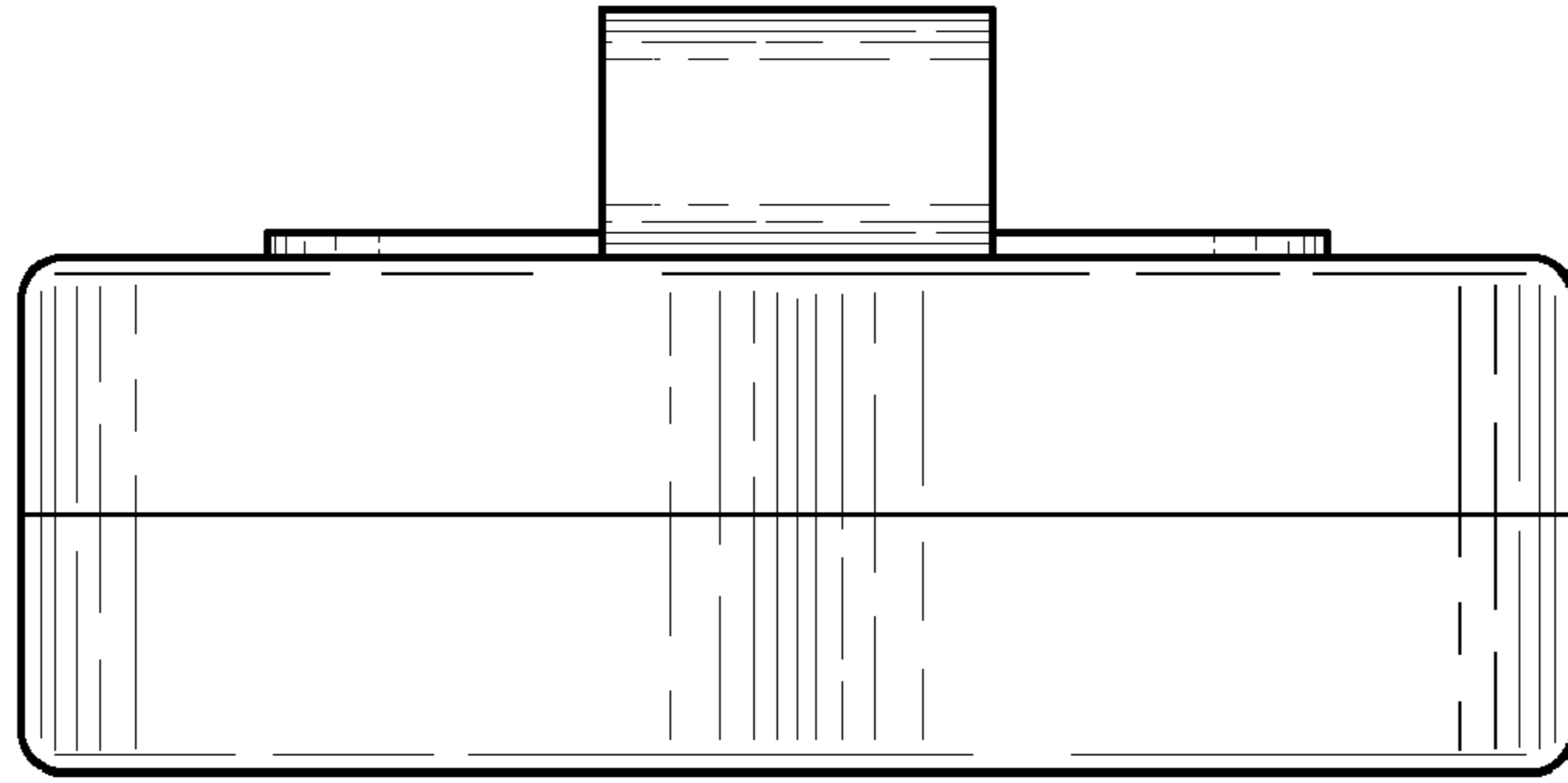


FIG. 4

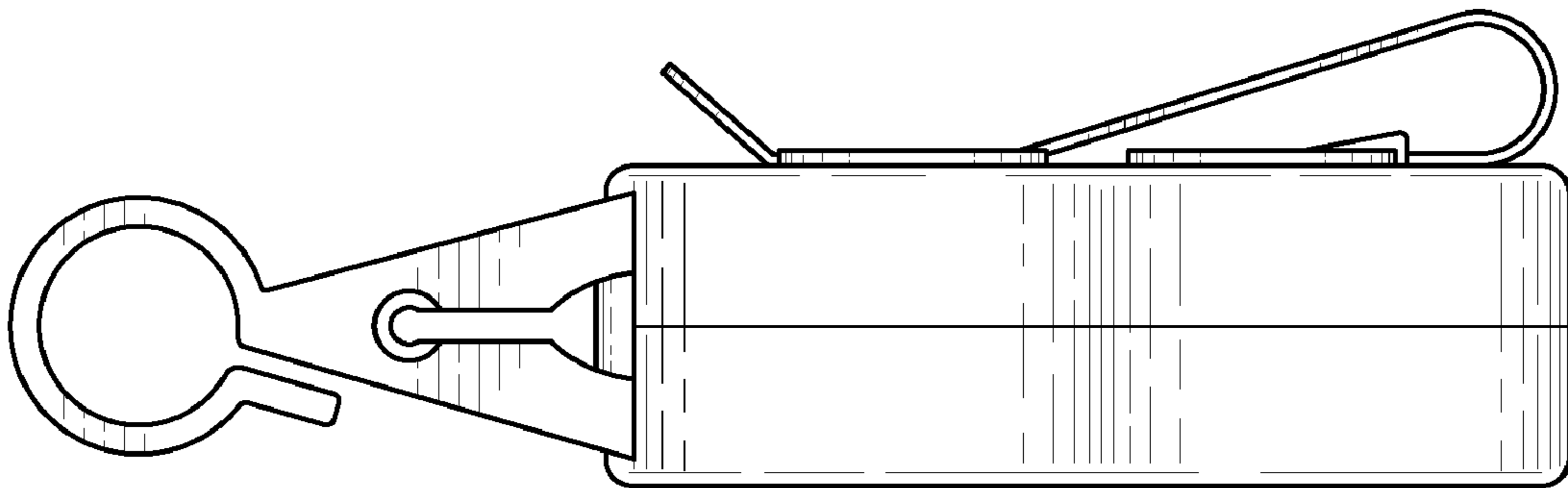


FIG. 5

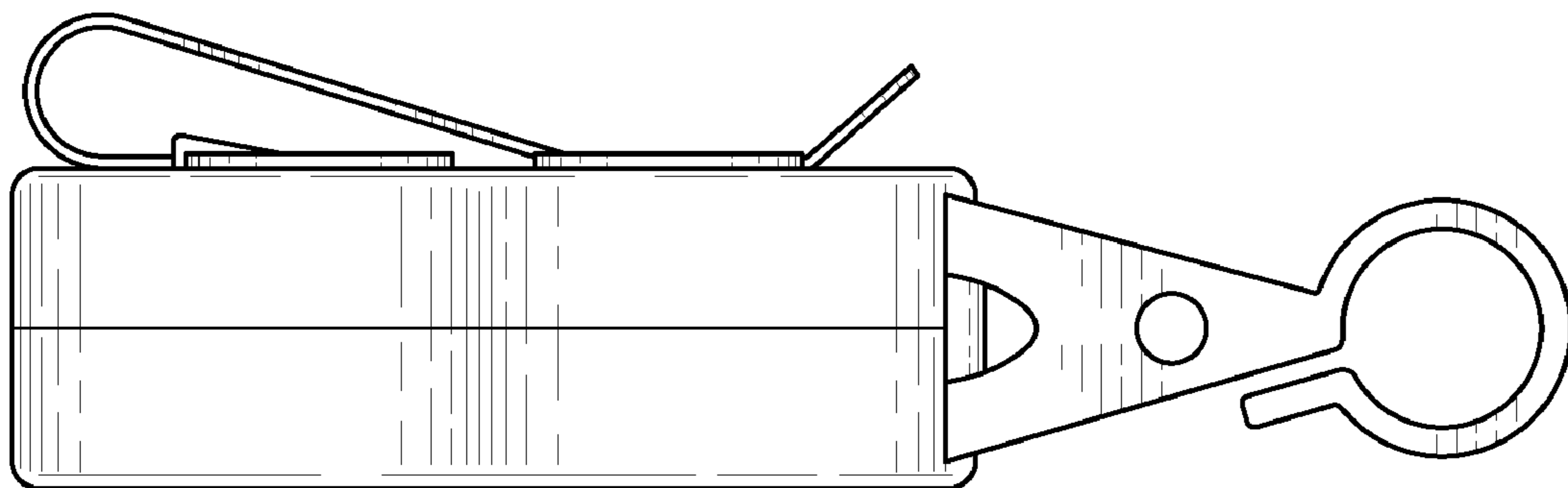


FIG. 6

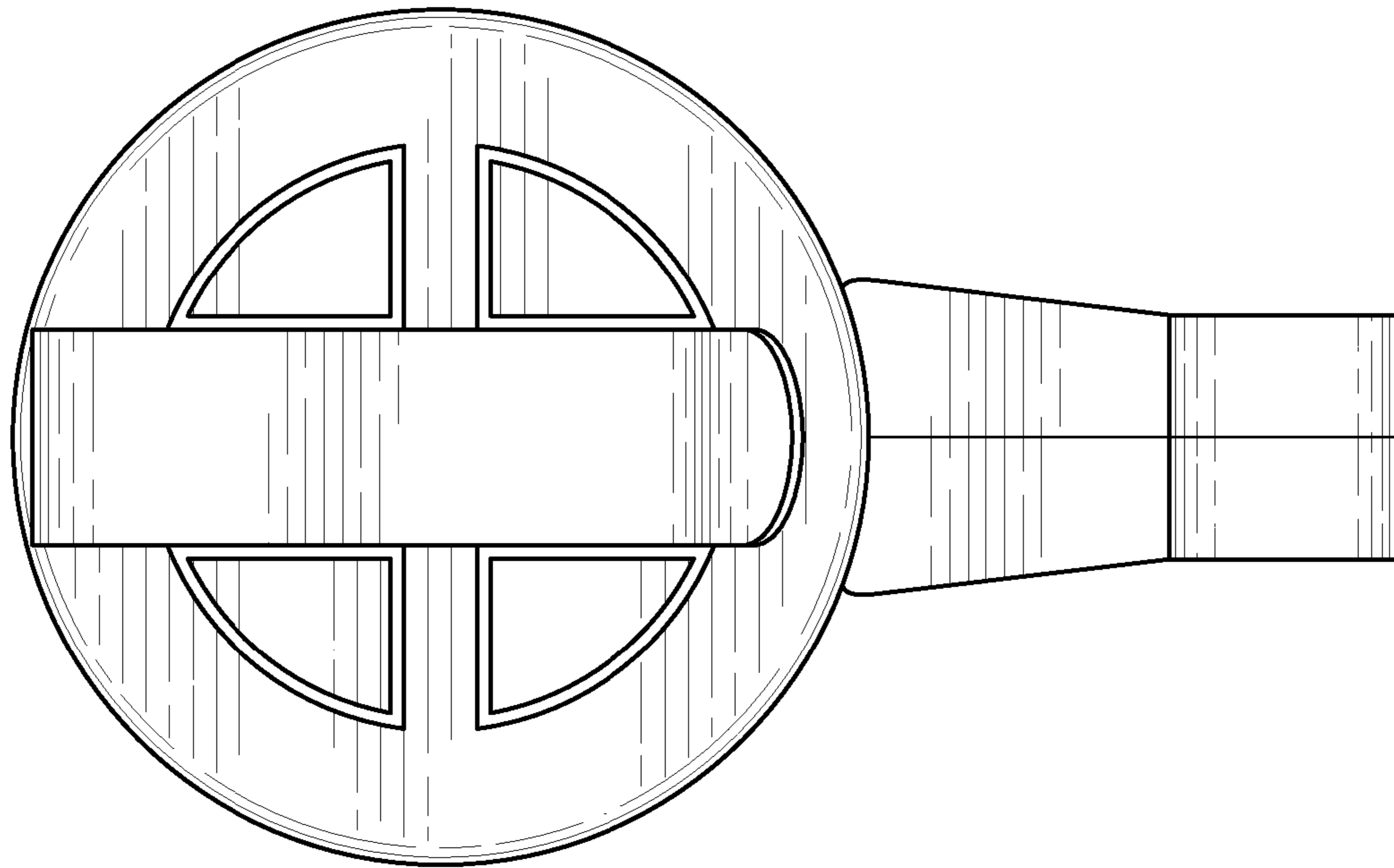


FIG. 7

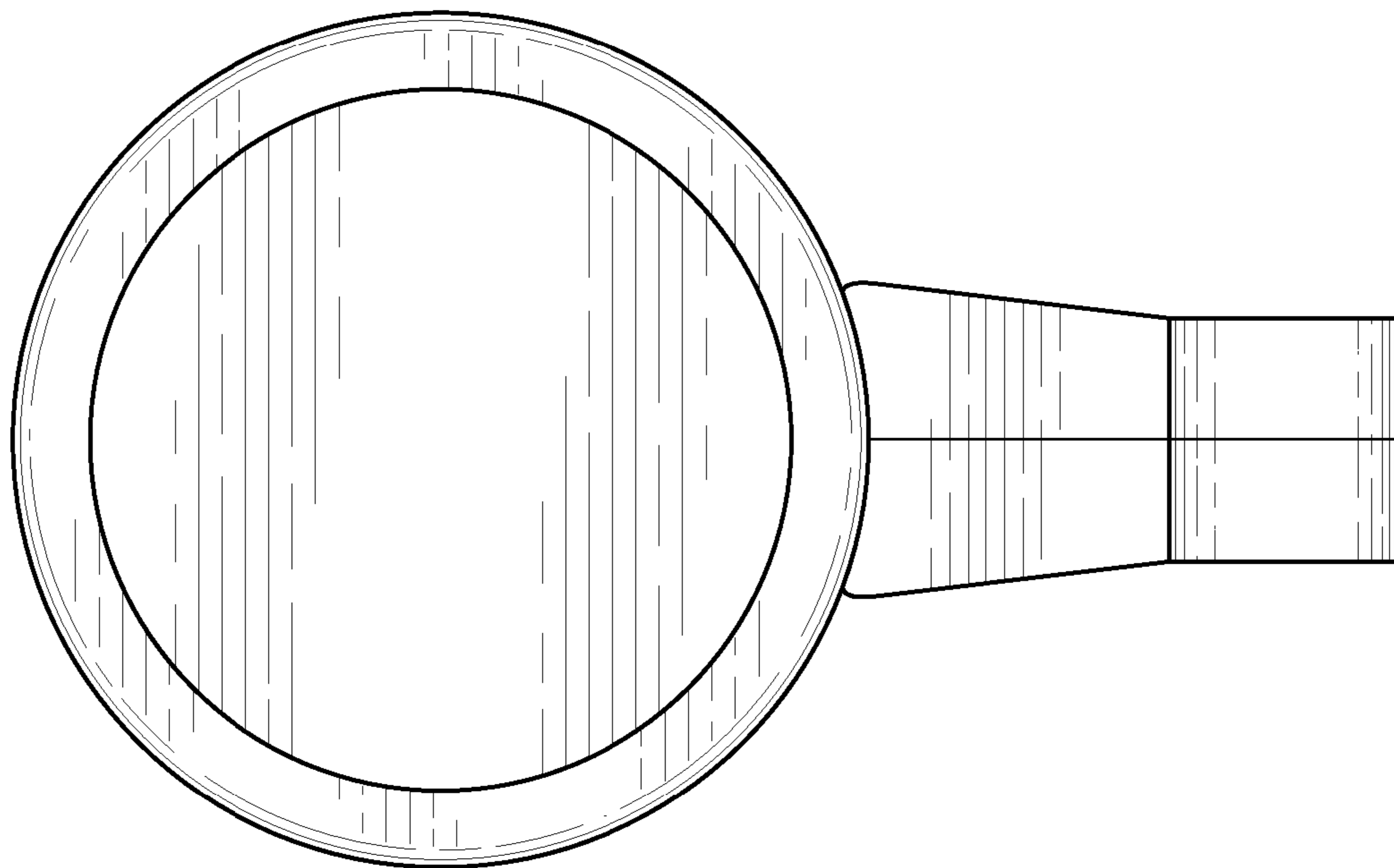


FIG. 8