



US00D635038S

(12) **United States Design Patent**
Ishii

(10) **Patent No.:** **US D635,038 S**
(45) **Date of Patent:** **** Mar. 29, 2011**

(54) **ROTATING LASER**

(75) Inventor: **Mitsuo Ishii**, Itabashi-ku (JP)

(73) Assignee: **Kabushiki Kaisha Topcon**, Tokyo (JP)

(**) Term: **14 Years**

(21) Appl. No.: **29/347,920**

(22) Filed: **Aug. 3, 2010**

(30) **Foreign Application Priority Data**

Feb. 19, 2010 (JP) D2010-003839

(51) **LOC (9) Cl.** **10-04**

(52) **U.S. Cl.** **D10/66; D10/69**

(58) **Field of Classification Search** D10/66,
D10/69; 33/276, 277, 281, 285, 286, 290,
33/291-299, DIG. 21; 340/539, 825.36,
340/825.46, 825.49; 356/5.15, 4.01, 5.01,
356/4.05, 5.05-5.09, 5.12, 28.5, 345, 375,
356/3.01, 128-155, 399-400; 385/211-213,
385/150, 158; 264/1.24-1.25

See application file for complete search history.

(56) **References Cited**

U.S. PATENT DOCUMENTS

D587,149 S * 2/2009 Ishii et al. D10/66
D609,124 S * 2/2010 Ishii et al. D10/66
D612,753 S * 3/2010 Ishii et al. D10/66

FOREIGN PATENT DOCUMENTS

JP D1295496 S 3/2007
JP D1321299 S 2/2008

JP D1334708 S 6/2008
JP D1336318 S 7/2008
JP D1365135 S 7/2009

* cited by examiner

Primary Examiner — Antoine D Davis

(74) *Attorney, Agent, or Firm* — Jacobson Holman PLLC

(57) **CLAIM**

The ornamental design for a rotating laser, as shown and described.

DESCRIPTION

The file of this patent contains at least one drawing executed in color. Copies of this patent with color drawings will be provided by the Office upon request and payment of the necessary fee.

FIG. 1 is a front perspective view of a rotating laser, showing our new design.

FIG. 2 is a rear perspective view of the rotating laser of FIG. 1.

FIG. 3 is a front elevational view of the rotating laser of FIG. 1.

FIG. 4 is a rear elevational view of the rotating laser of FIG. 1.

FIG. 5 is a left side view of the rotating laser of FIG. 1.

FIG. 6 is a right side view of the rotating laser of FIG. 1.

FIG. 7 is a top plan view of the rotating laser of FIG. 1; and, FIG. 8 is a bottom plan view of the rotating laser of FIG. 1.

1 Claim, 4 Drawing Sheets
(4 of 4 Drawing Sheet(s) Filed in Color)

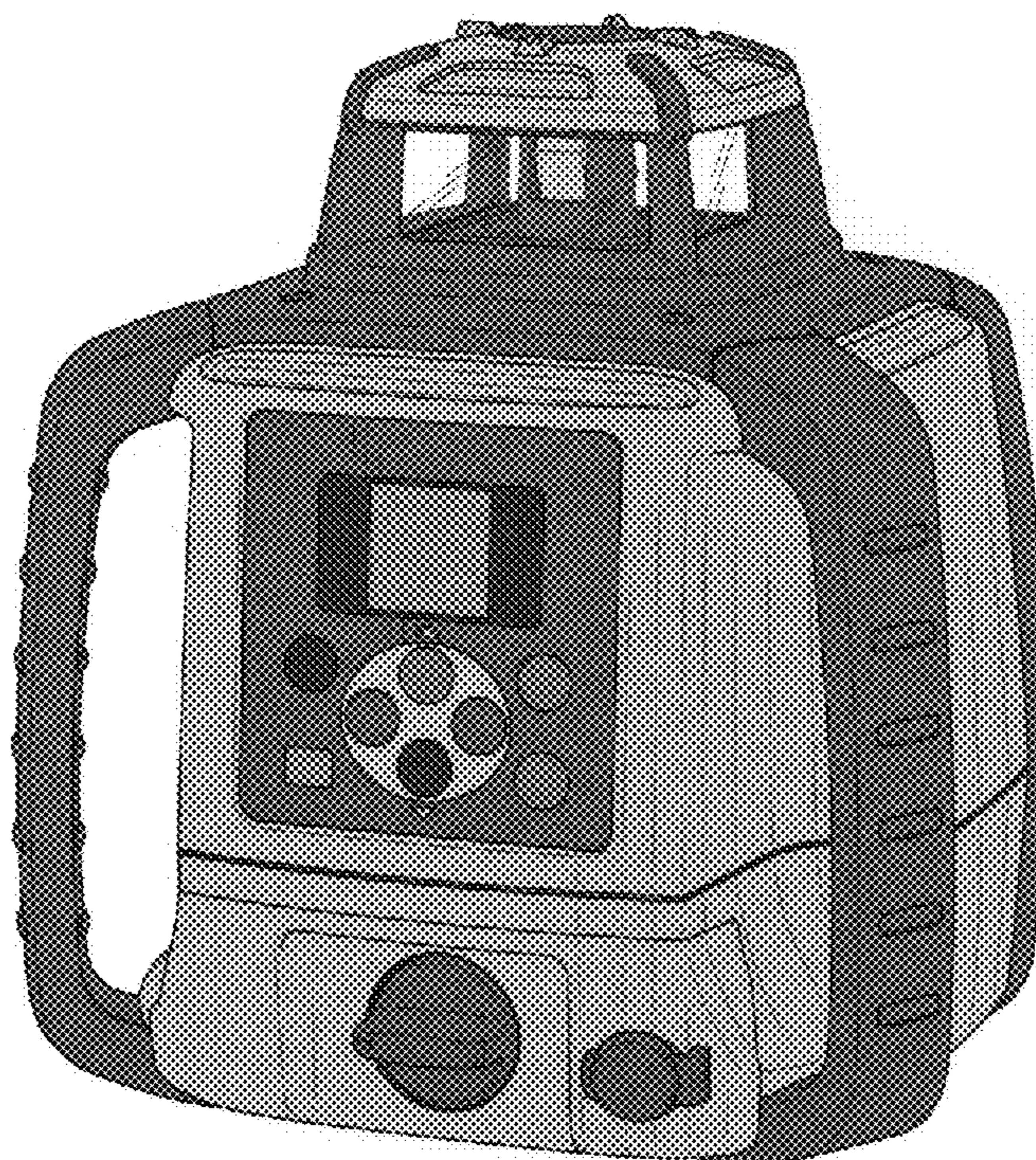


FIG.1

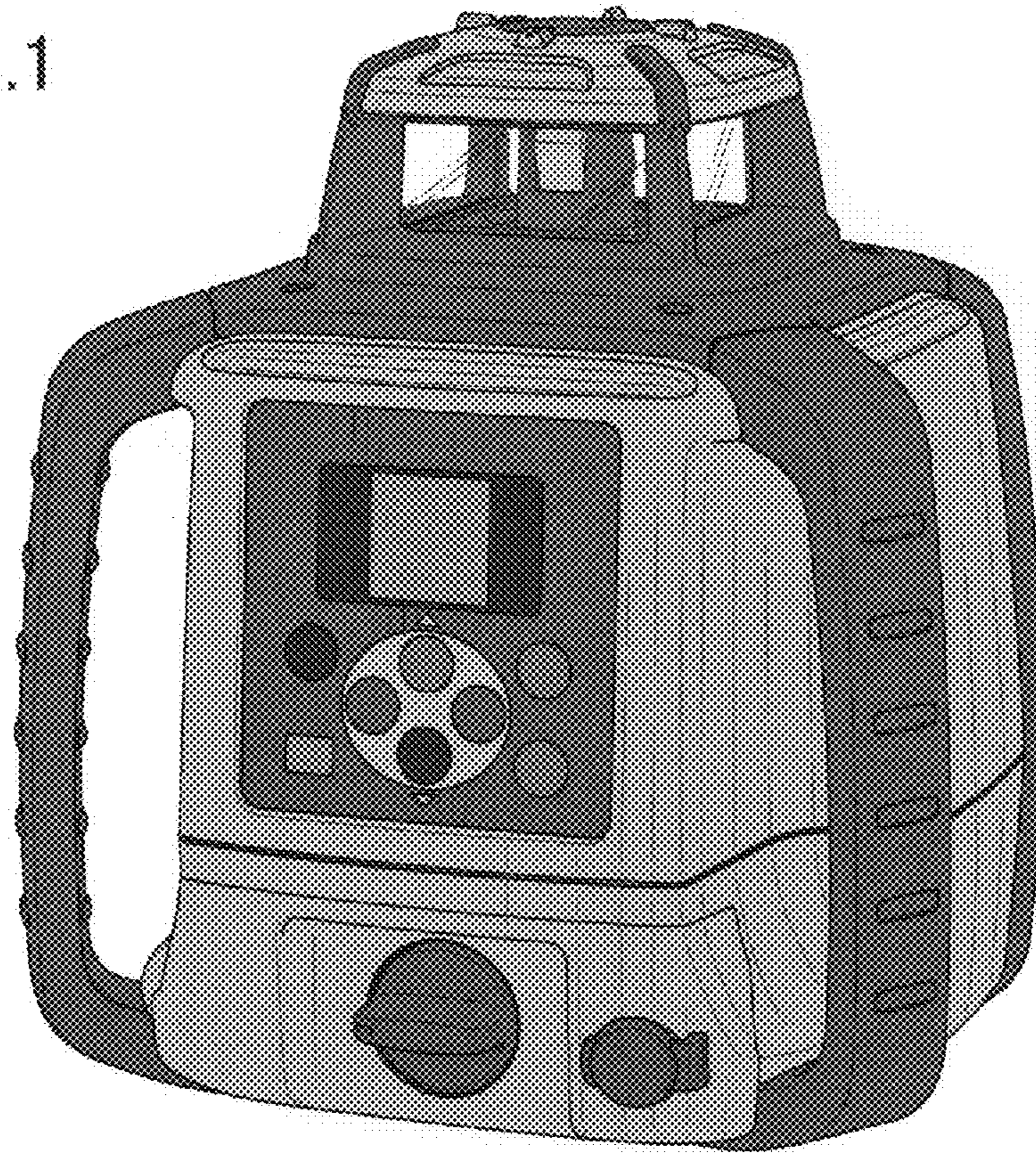


FIG.2

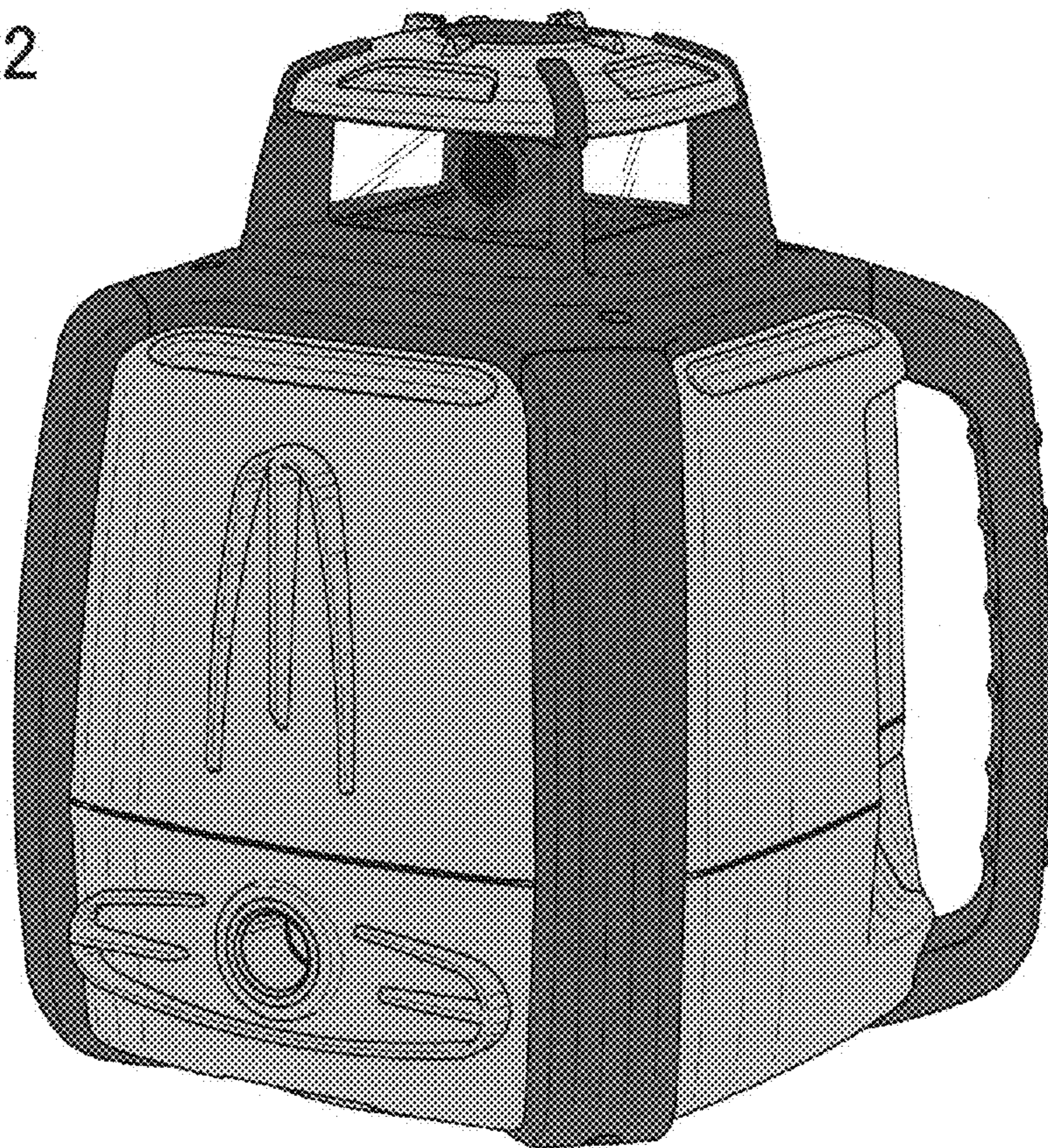


FIG.3

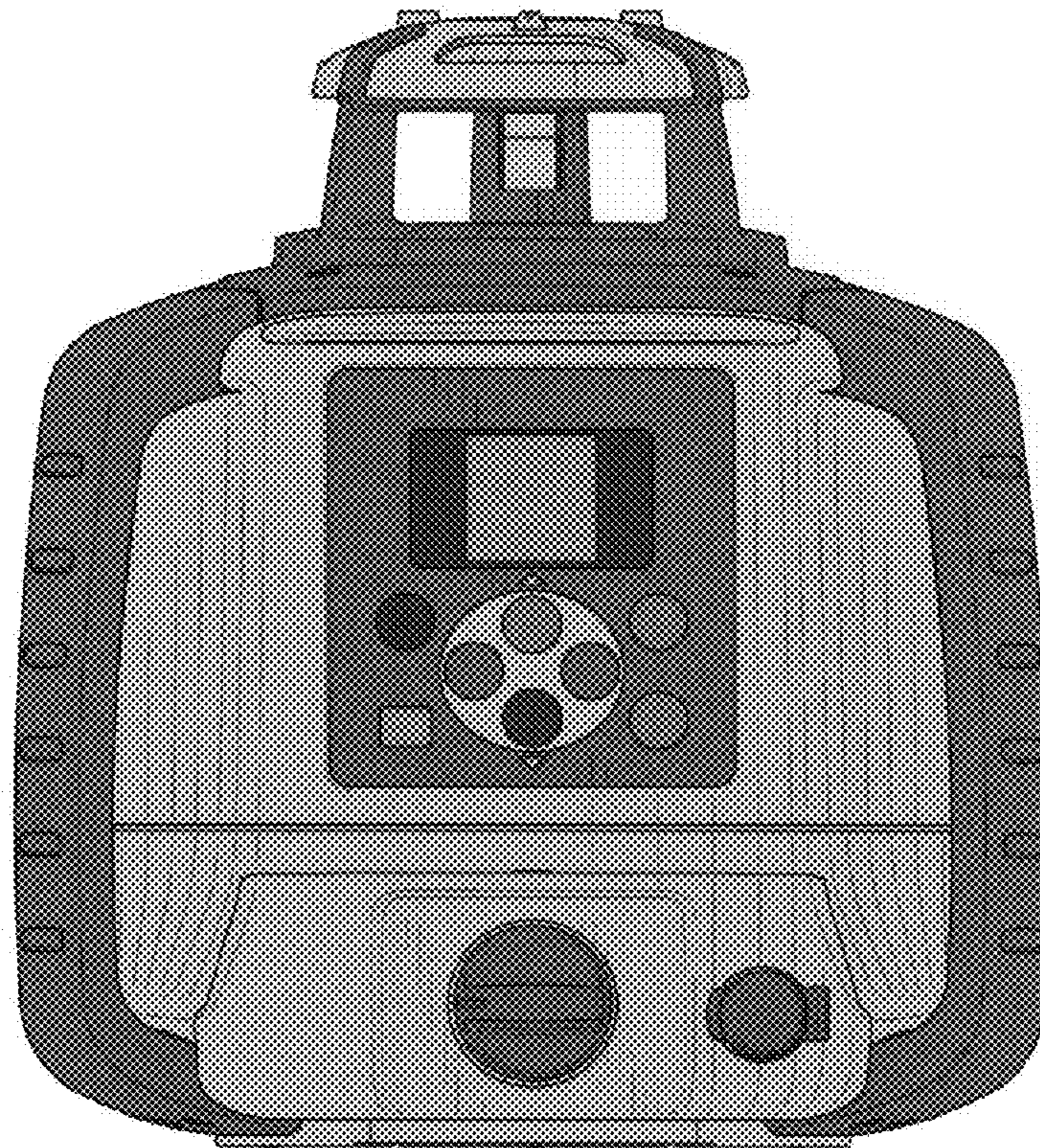


FIG.4

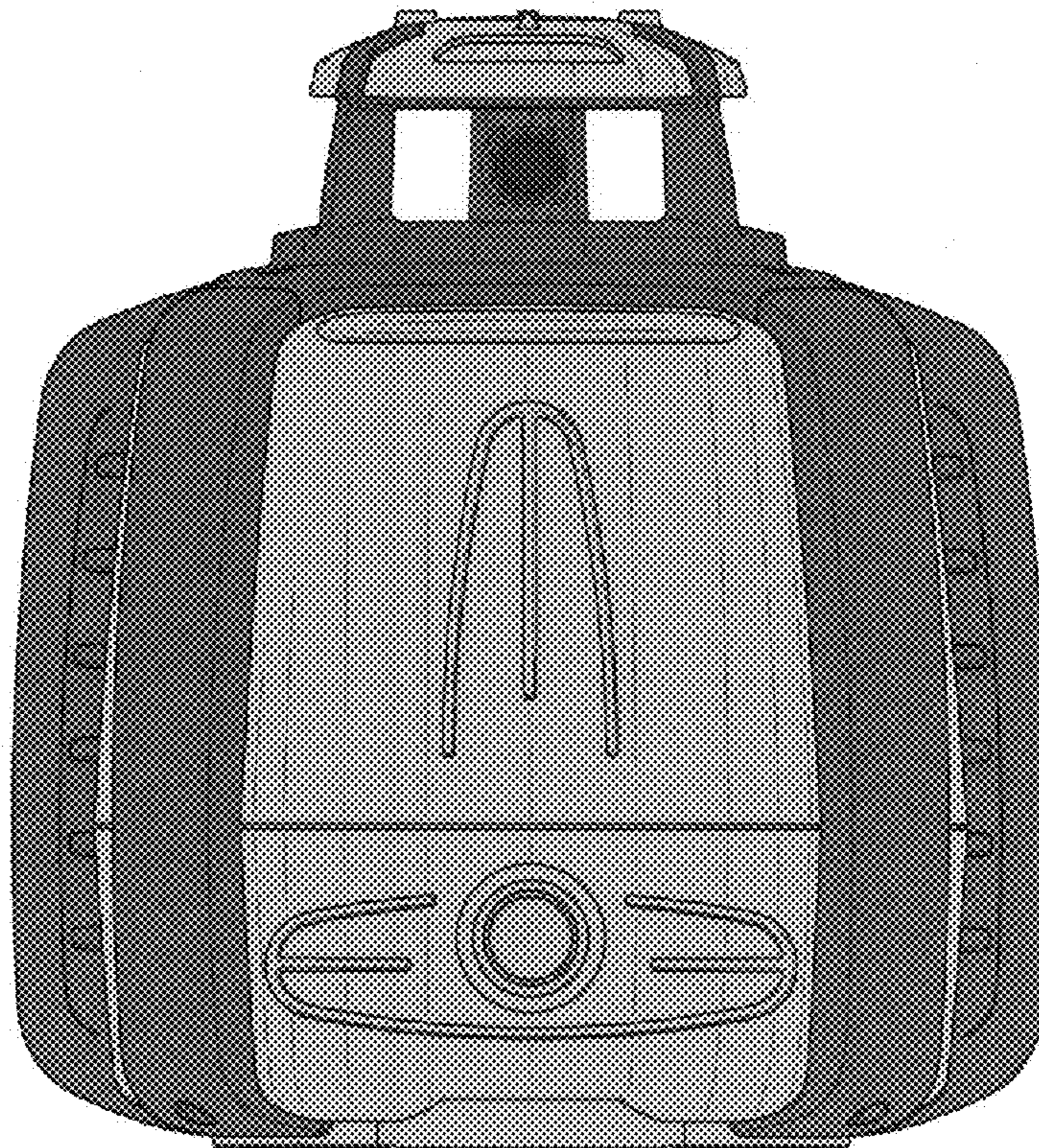


FIG.5

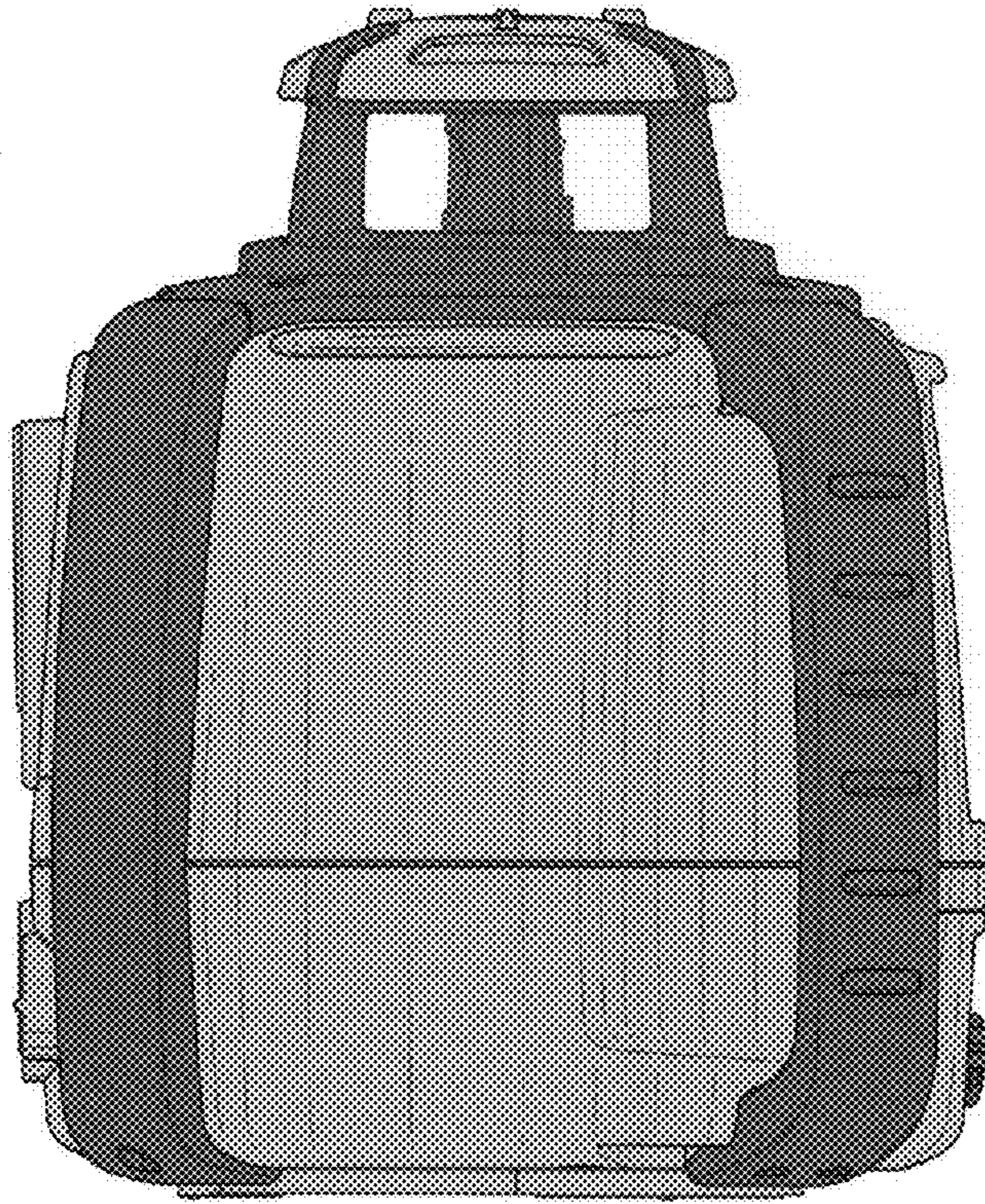


FIG.6

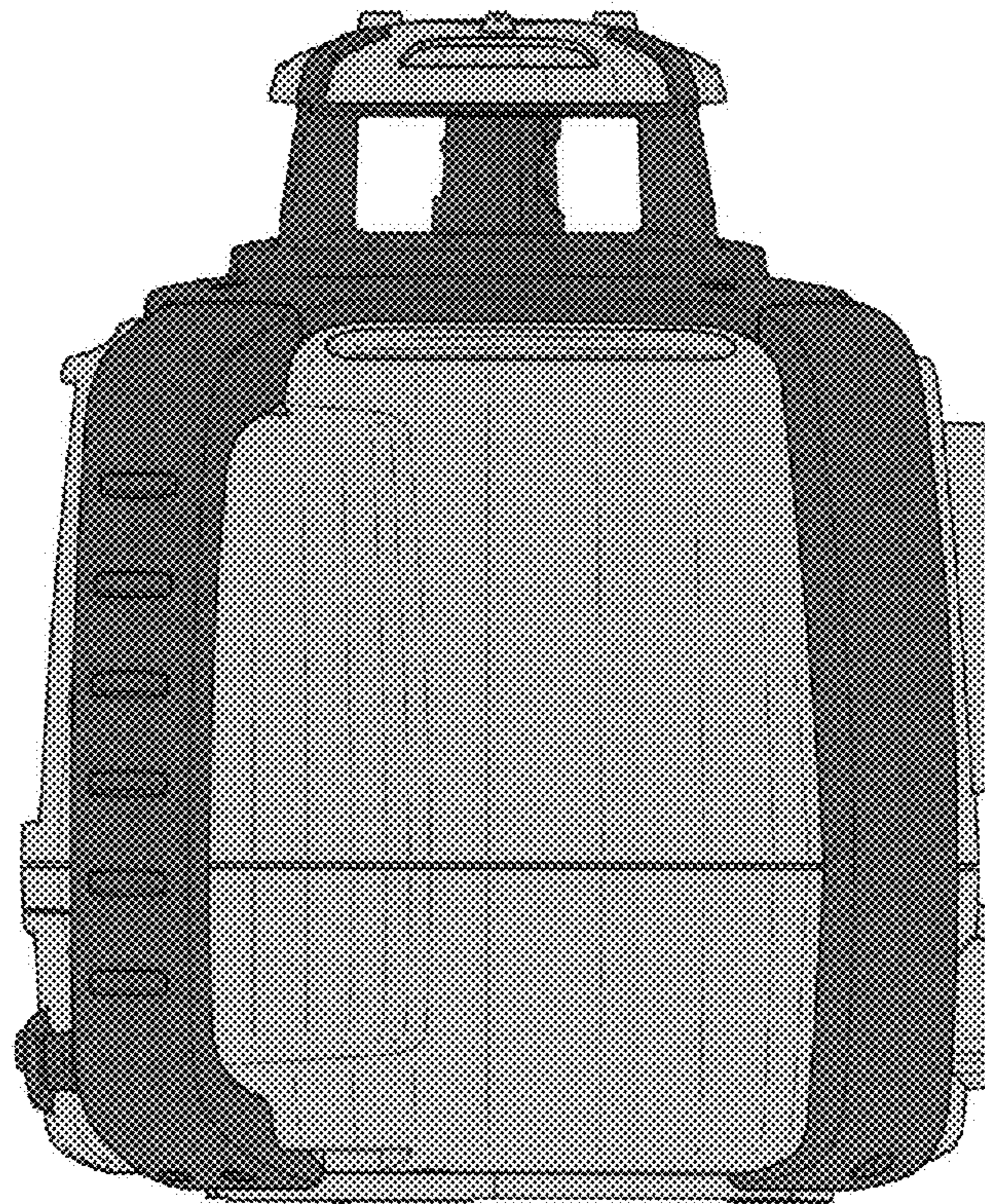


FIG.7

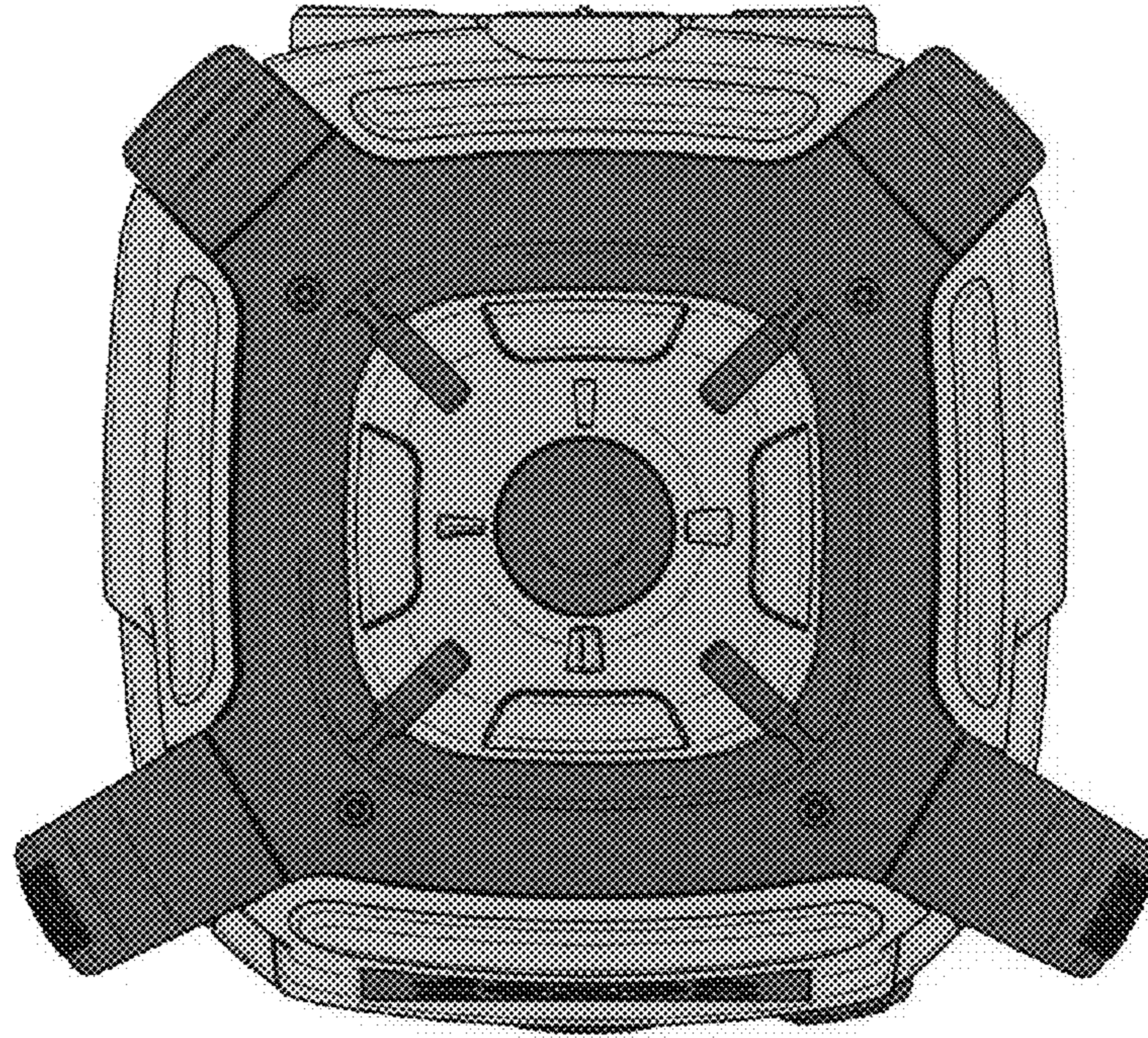


FIG.8

