



US00D635037S

(12) **United States Design Patent**
Lee

(10) **Patent No.:** **US D635,037 S**

(45) **Date of Patent:** **** Mar. 29, 2011**

(54) **WIND VANE**

(76) Inventor: **Lawrence K. Lee**, Houston, TX (US)

(**) Term: **14 Years**

(21) Appl. No.: **29/362,199**

(22) Filed: **May 21, 2010**

(51) **LOC (9) Cl.** **10-04**

(52) **U.S. Cl.** **D10/60; D10/59**

(58) **Field of Classification Search** D10/59,
D10/60; 73/170.01, 170.05–170.09; 446/476–477;
D11/165–171, 181; D20/10, 11, 17, 41,
D20/42, 43

See application file for complete search history.

(56) **References Cited**

U.S. PATENT DOCUMENTS

2,838,932 A * 6/1958 Dwyer 73/170.16
2,878,672 A * 3/1959 Wikkenhauser 73/170.07
4,314,477 A * 2/1982 Yancy 73/170.03

D443,535 S * 6/2001 Tai D10/59
D460,007 S * 7/2002 Tseng D10/59
D513,197 S * 12/2005 Damberger D10/59

* cited by examiner

Primary Examiner — Antoine D Davis

(74) *Attorney, Agent, or Firm* — Egbert Law Offices PLLC

(57) **CLAIM**

The ornamental design for a wind vane, as shown and described.

DESCRIPTION

FIG. 1 is an front perspective view of the wind vane showing my design.

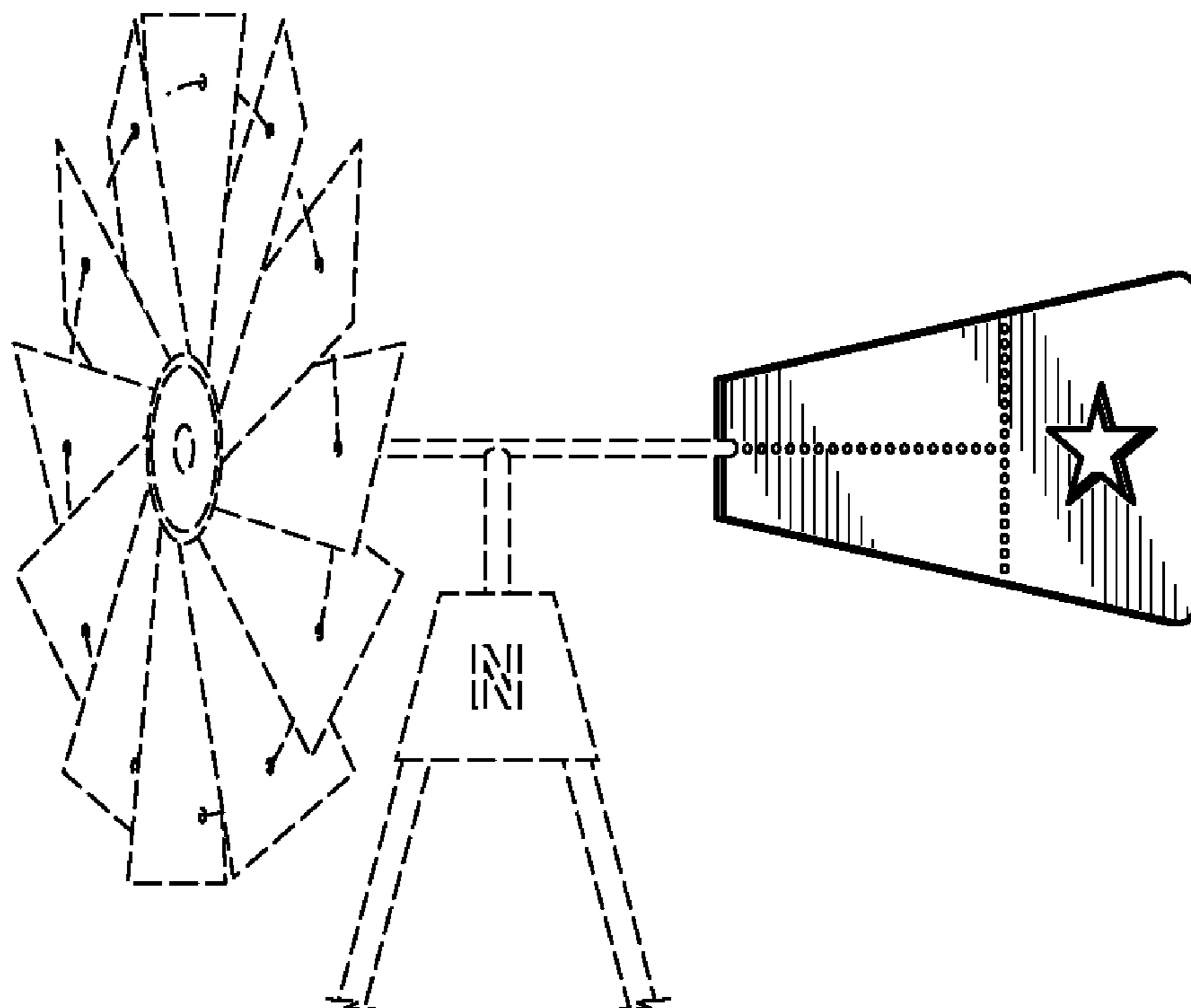
FIG. 2 is a front view thereof;

FIG. 3 is a side view thereof; and,

FIG. 4 is a top view thereof.

The features presented in broken lines are illustrative of a windmill to which the wind vane is attached and form no part of the claimed design.

1 Claim, 1 Drawing Sheet



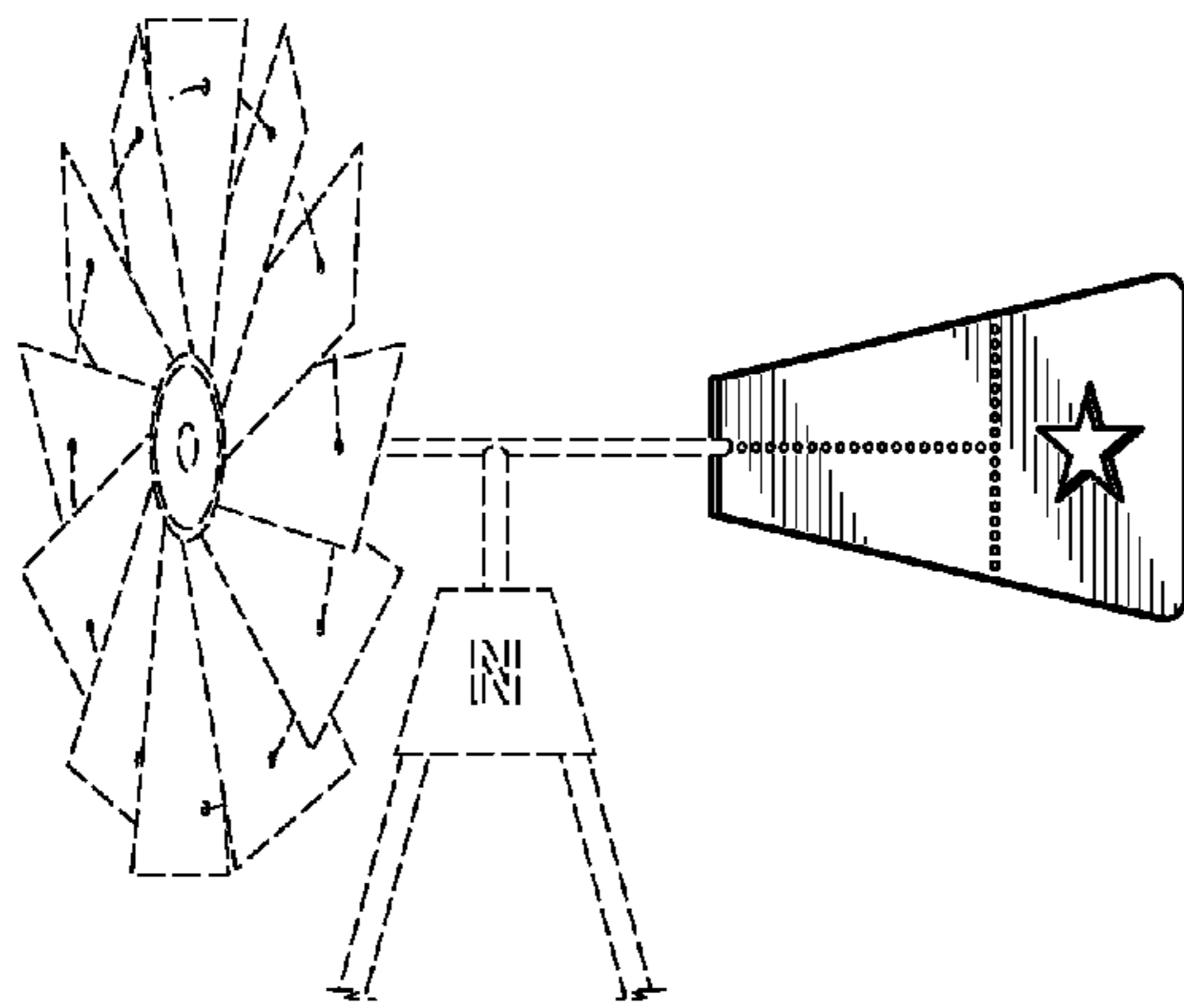


FIG. 1

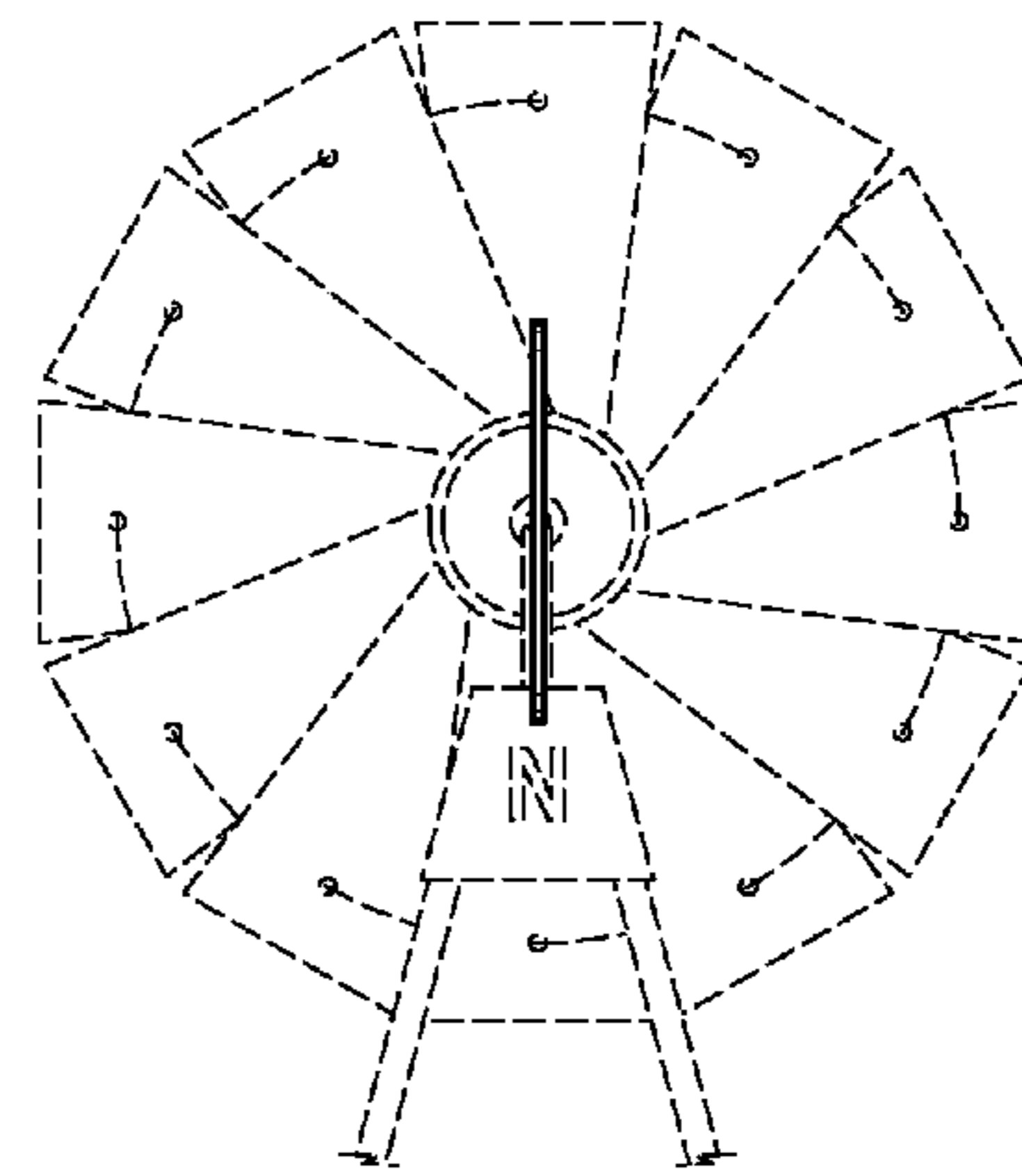


FIG. 3

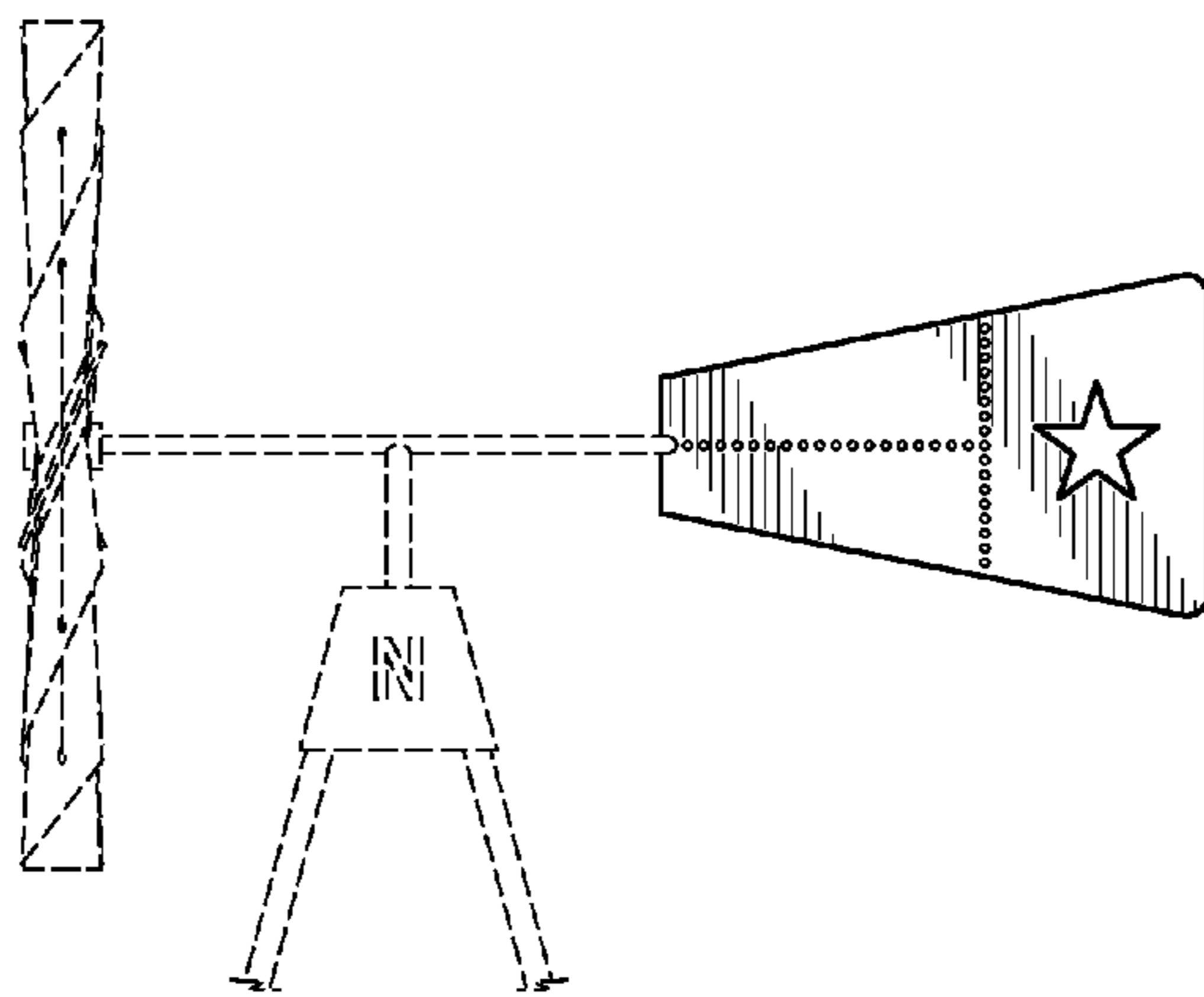


FIG. 2

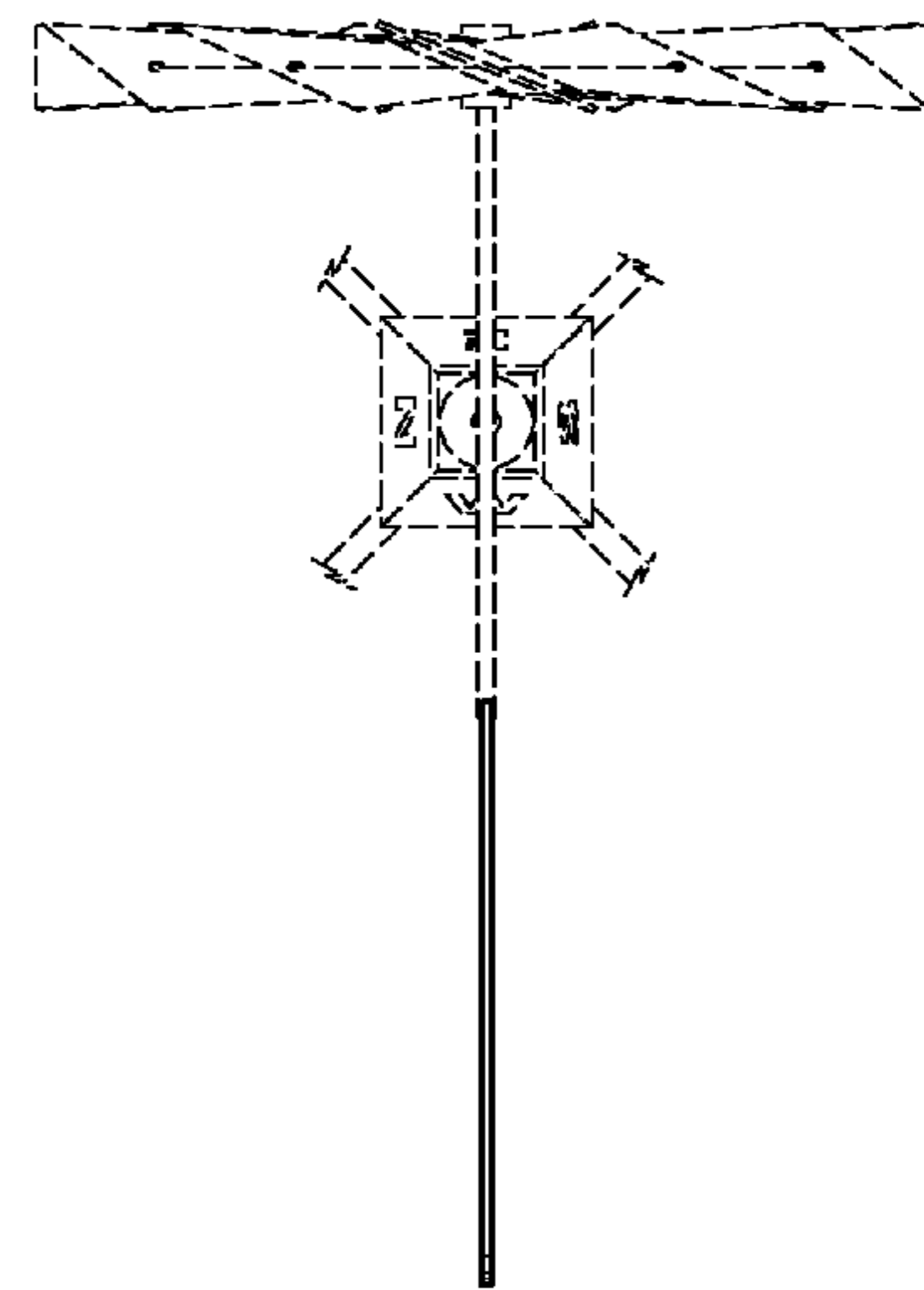


FIG. 4