



US00D635036S

(12) **United States Design Patent**
Dieter

(10) **Patent No.:** **US D635,036 S**

(45) **Date of Patent:** **** Mar. 29, 2011**

(54) **ROADRUNNER WIND VANE**

D504,085 S 4/2005 Weiser
D526,221 S 8/2006 Coderre
D539,363 S 3/2007 Weiser
D586,245 S 2/2009 Coderre

(76) Inventor: **James G. Dieter**, Houston, TX (US)

(**) Term: **14 Years**

* cited by examiner

(21) Appl. No.: **29/357,333**

Primary Examiner — Antoine D Davis

(22) Filed: **Mar. 10, 2010**

(74) *Attorney, Agent, or Firm* — QuickPatents, Inc.; Kevin Prince

(51) **LOC (9) Cl.** **10-04**

(52) **U.S. Cl.** **D10/59**

(58) **Field of Classification Search** D10/59;
73/170.01, 170.05–170.09; 446/476–477

See application file for complete search history.

(57) **CLAIM**

The ornamental design for a roadrunner wind vane, as shown and described.

DESCRIPTION

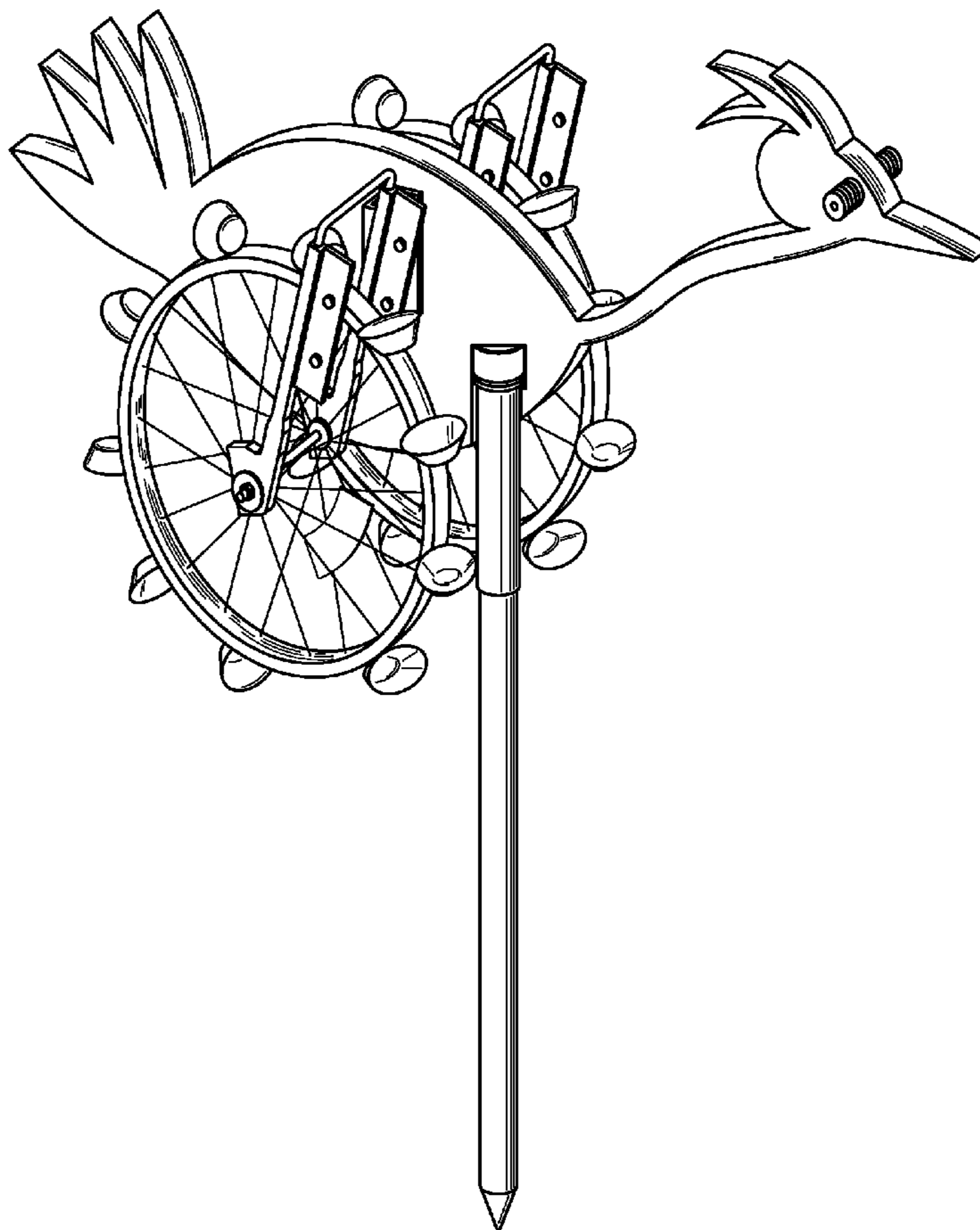
FIG. 1 is a perspective view of a roadrunner wind vane, showing the new design;
FIG. 2 is a front elevational view thereof;
FIG. 3 is a rear elevational view thereof;
FIG. 4 is a left-side elevational view thereof, the right-side elevational view being a mirror image thereof;
FIG. 5 is a top plan view thereof; and,
FIG. 6 is a bottom plan view thereof.

(56) **References Cited**

U.S. PATENT DOCUMENTS

D145,345 S	7/1946	Wood	
D238,196 S	12/1975	Simpson	
D344,463 S	2/1994	Lannie	
D394,463 S	5/1998	Filho	
D437,240 S	2/2001	Osborne	
D444,080 S	6/2001	Wertz	
D460,007 S	7/2002	Tseng	
D477,551 S *	7/2003	Stahel et al. D12/114
D494,641 S	8/2004	Weiser	

1 Claim, 4 Drawing Sheets



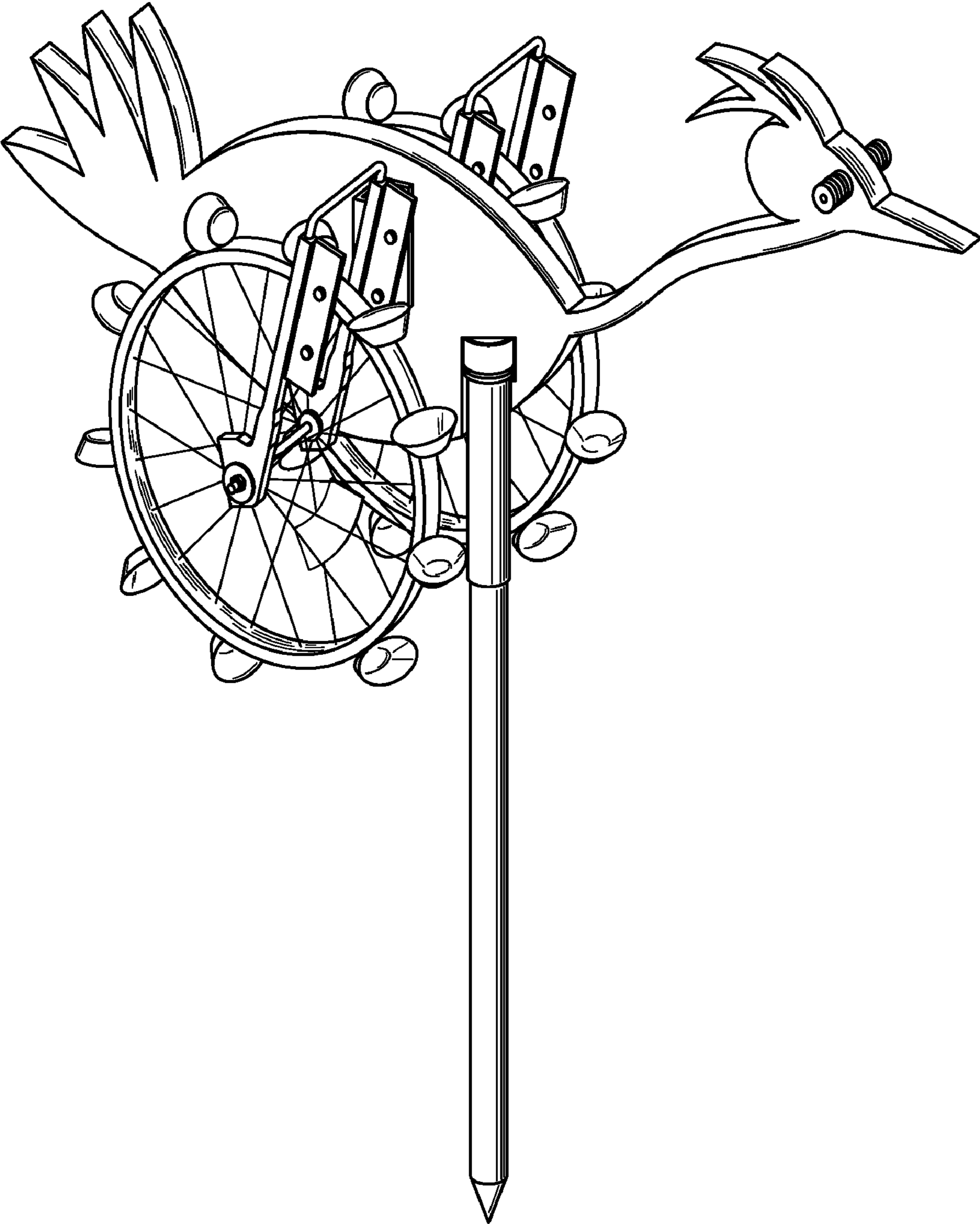


FIG. 1

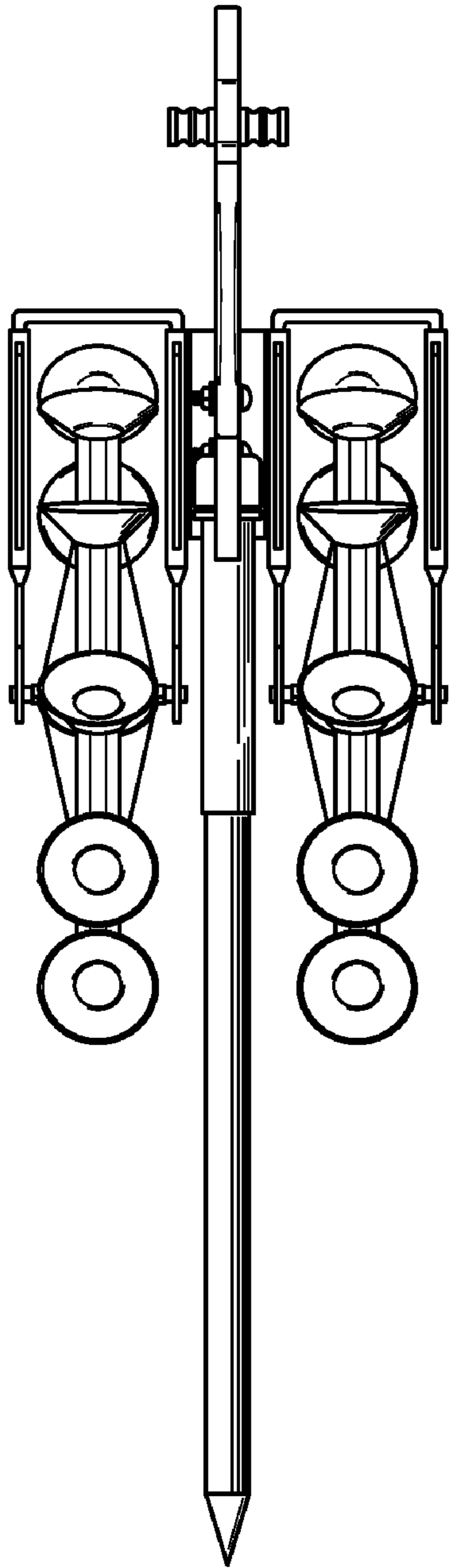


FIG. 2

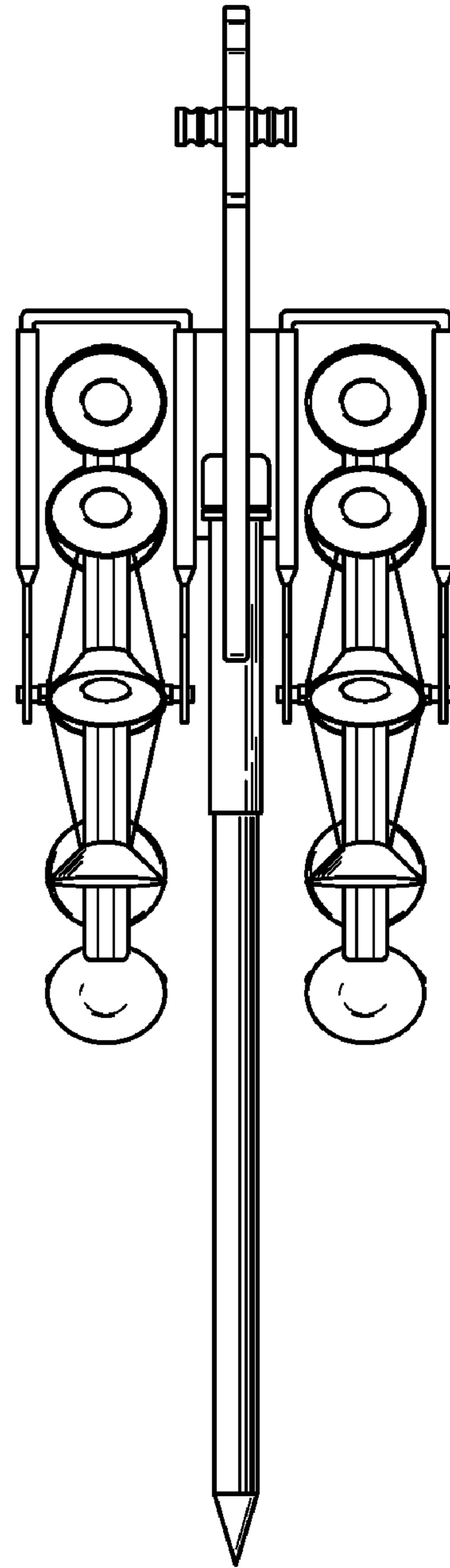


FIG. 3

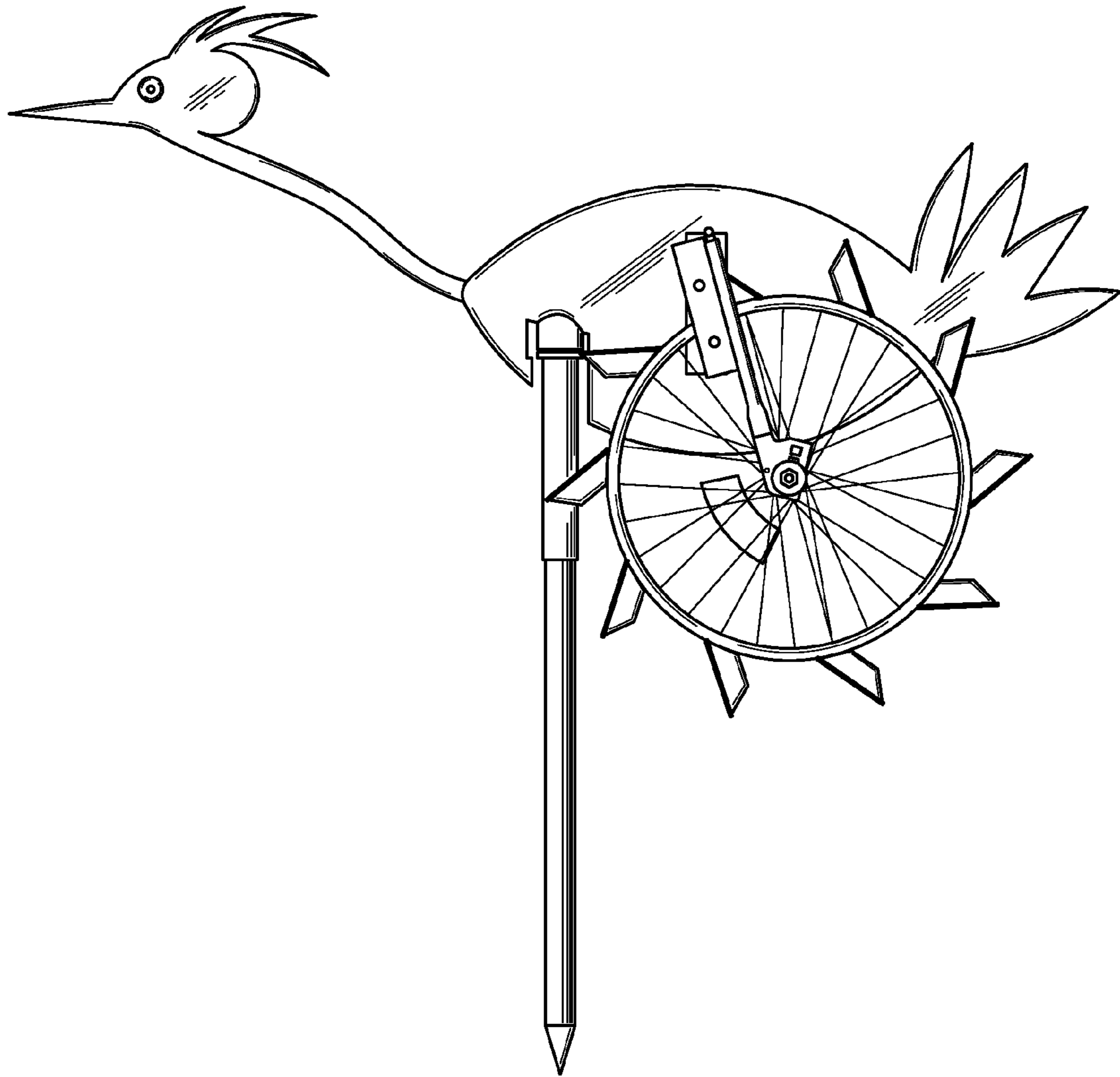


FIG. 4

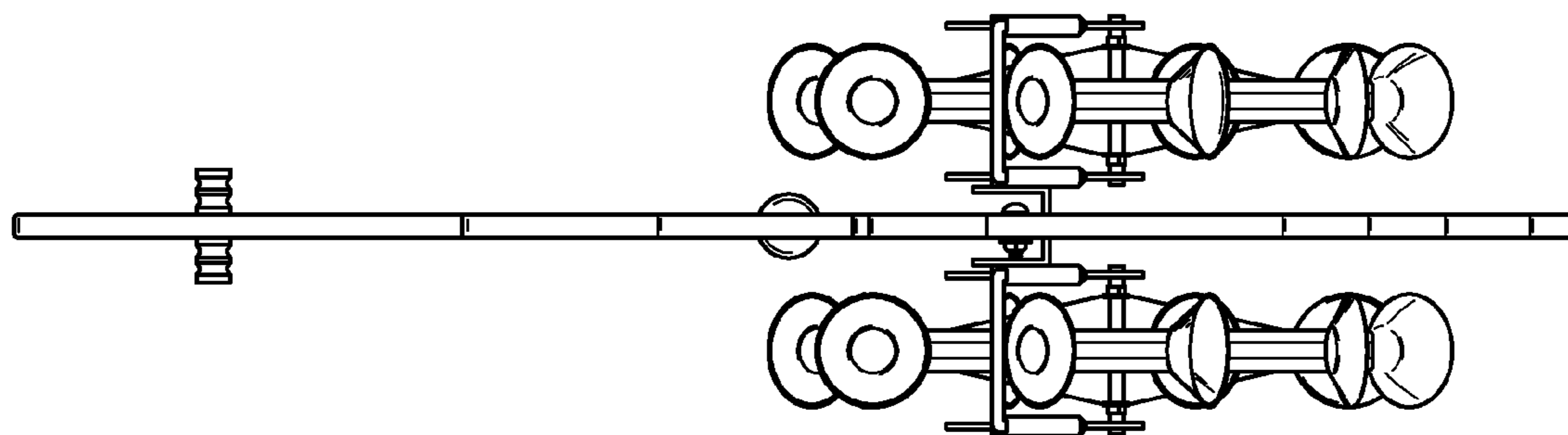


FIG. 5

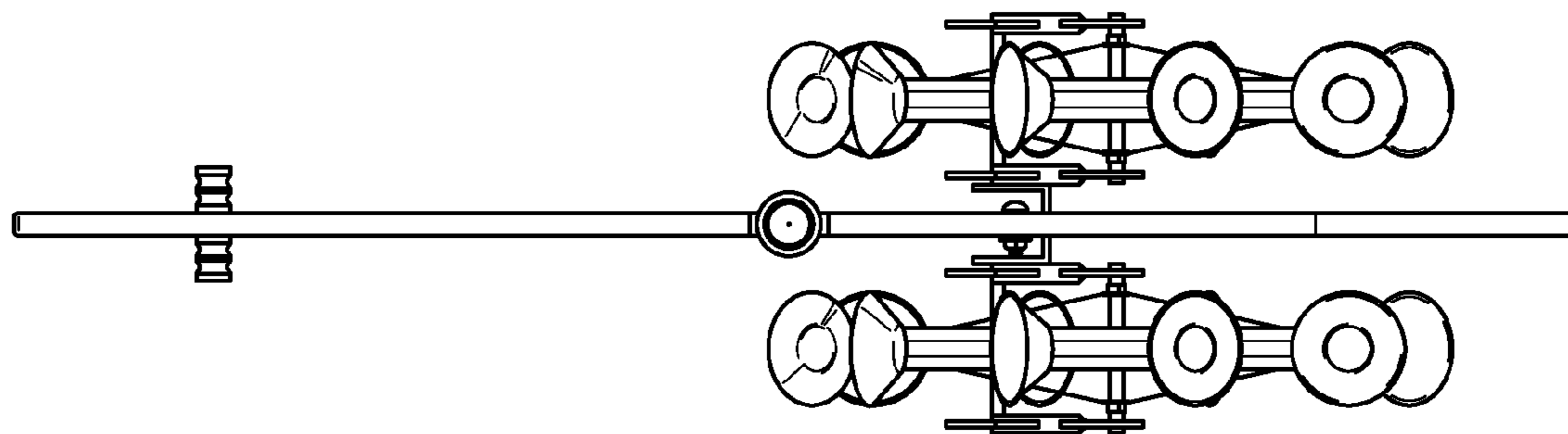


FIG. 6