



US00D635034S

(12) **United States Design Patent**  
**Burgeson**

(10) **Patent No.:** **US D635,034 S**  
(45) **Date of Patent:** **\*\* Mar. 29, 2011**

- (54) **CONTAINER AND BOTTLE**
- (75) **Inventor:** **Samuel A. Burgeson**, Blaine, MN (US)
- (73) **Assignee:** **Wildlife Research Center, Inc.**, Ramsey, MN (US)
- (\*\*) **Term:** **14 Years**
- (21) **Appl. No.:** **29/357,224**
- (22) **Filed:** **Mar. 9, 2010**
- (51) **LOC (9) Cl.** ..... **09-01**
- (52) **U.S. Cl.** ..... **D9/738; D9/566; D9/685**
- (58) **Field of Classification Search** ..... D9/682, D9/684, 685, 686, 687, 737-741, 743, 434, D9/435, 443, 516, 520, 523, 524, 525, 526, D9/527, 528, 530, 543, 566; 215/6, 200, 215/316, 318, 379, 381-385; 220/23.2, 23.8, 220/523, 524, 525, 200, 660, 669-675  
See application file for complete search history.

D380,148	S *	6/1997	Hauf et al.	.....	D9/528
D387,673	S *	12/1997	Crawford	.....	D9/575
D406,052	S *	2/1999	Dumont et al.	.....	D9/685
5,875,940	A *	3/1999	Mayfield	.....	222/382
6,022,134	A *	2/2000	Andrews	.....	366/130
D448,285	S *	9/2001	Palm et al.	.....	D9/523
6,286,728	B1 *	9/2001	Driskell et al.	.....	222/383.1
D454,787	S *	3/2002	Cummings	.....	D9/448
D456,246	S *	4/2002	Drake et al.	.....	D9/685
D456,262	S *	4/2002	Cummings	.....	D9/448
6,561,437	B1	5/2003	Schulman		
D477,783	S *	7/2003	Gilmore et al.	.....	D9/523
D494,069	S *	8/2004	Mayne	.....	D9/528
D495,257	S *	8/2004	Crawford et al.	.....	D9/523
D516,435	S *	3/2006	Barraclough	.....	D9/682
7,011,235	B2	3/2006	Pasquariello		

(Continued)

*Primary Examiner* — Stella M Reid  
*Assistant Examiner* — Elizabeth J Oswecki  
(74) *Attorney, Agent, or Firm* — Dorsey & Whitney LLP

(57) **CLAIM**  
The ornamental design for a container and bottle, as shown and described.

(56) **References Cited**

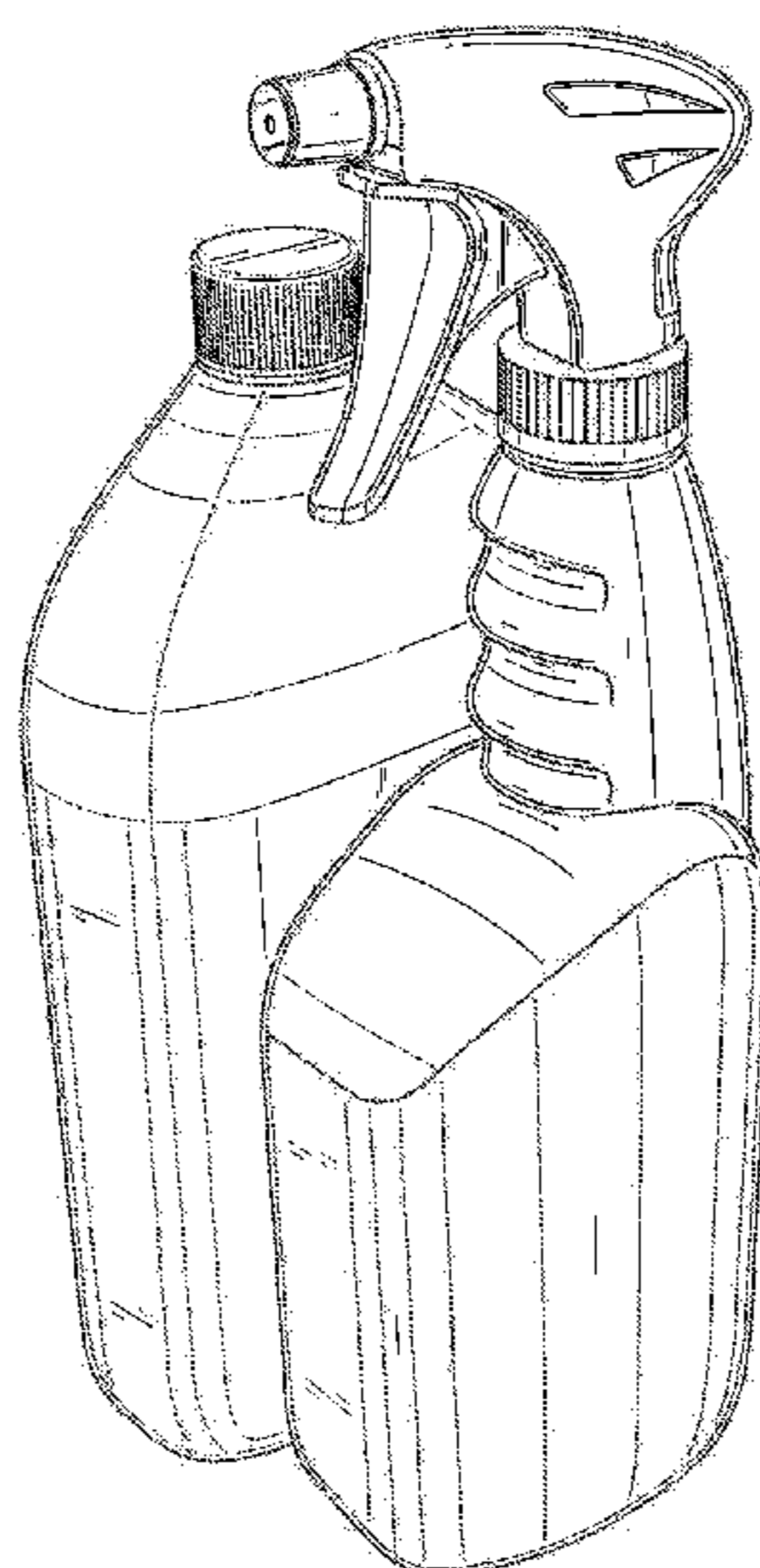
U.S. PATENT DOCUMENTS

2,753,990	A *	7/1956	Chalfin et al.	.....	206/221
D256,271	S *	8/1980	Tada	.....	D23/226
4,227,650	A *	10/1980	McKinney	.....	239/333
D275,078	S *	8/1984	Wassergord et al.	.....	D9/685
D277,978	S *	3/1985	Bundschuh	.....	D23/226
4,506,805	A *	3/1985	Marcon	.....	222/153.13
D282,633	S *	2/1986	Beaver et al.	.....	D9/523
4,640,441	A *	2/1987	Bunschoten	.....	222/207
D302,522	S *	8/1989	Charboneau et al.	.....	D9/523
D305,451	S *	1/1990	Rosenbaum	.....	D23/225
D308,166	S *	5/1990	Weckman	.....	D9/523
4,925,066	A	5/1990	Rosenbaum		
4,946,074	A *	8/1990	Grogan	.....	222/153.13
4,950,083	A	8/1990	Bavaveas		
D310,957	S *	10/1990	Halm et al.	.....	D9/685
D321,315	S *	11/1991	Halm et al.	.....	D9/685
5,123,460	A	6/1992	Reed		
D345,301	S *	3/1994	Goehring	.....	D9/739
D345,302	S *	3/1994	Goehring	.....	D9/739
D365,515	S *	12/1995	Boykin	.....	D9/685

**DESCRIPTION**

FIG. 1 is a perspective view of a container and bottle showing my new design;  
FIG. 2 is a front view of the container and bottle shown in FIG. 1;  
FIG. 3 is rear view of the container and bottle shown in FIG. 1;  
FIG. 4 is a side view of the container and bottle shown in FIG. 1;  
FIG. 5 is another side view of the container and bottle shown in FIG. 1;  
FIG. 6 is a top view of the container and bottle shown in FIG. 1; and,  
FIG. 7 is a bottom view of the container and bottle shown in FIG. 1.

**1 Claim, 6 Drawing Sheets**



# US D635,034 S

Page 2

---

## U.S. PATENT DOCUMENTS

D543,867 S *	6/2007	Yourist .....	D9/739	D602,379 S *	10/2009	Traiforos .....	D9/744
RE39,718 E	7/2007	Mayne		D606,411 S *	12/2009	Mongeon et al. ....	D9/522
D569,737 S *	5/2008	Ogawa et al. ....	D9/740	D614,957 S *	5/2010	Schaeffer .....	D9/516
7,404,497 B2	7/2008	Lowance					

\* cited by examiner

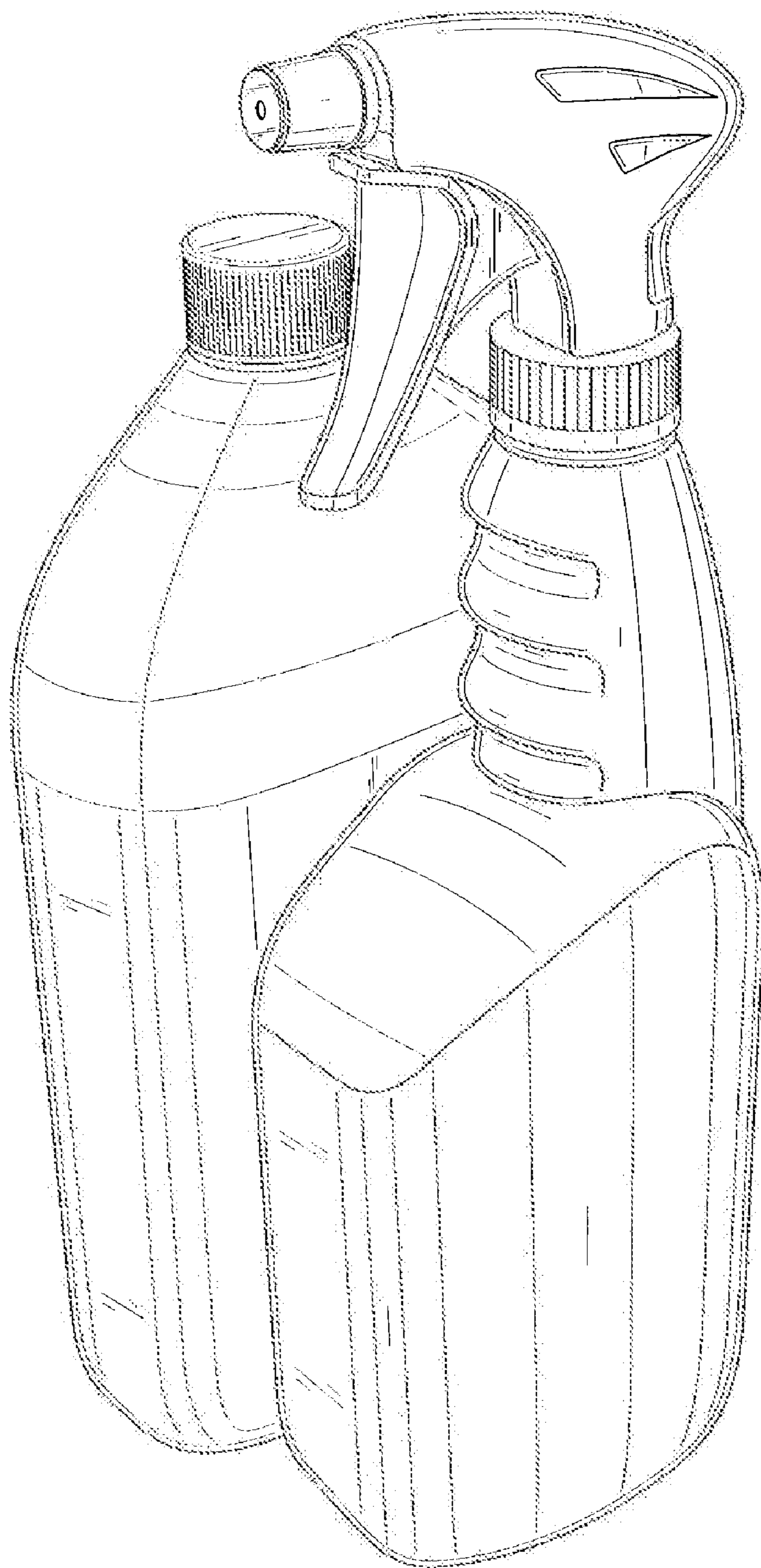


FIG. 1

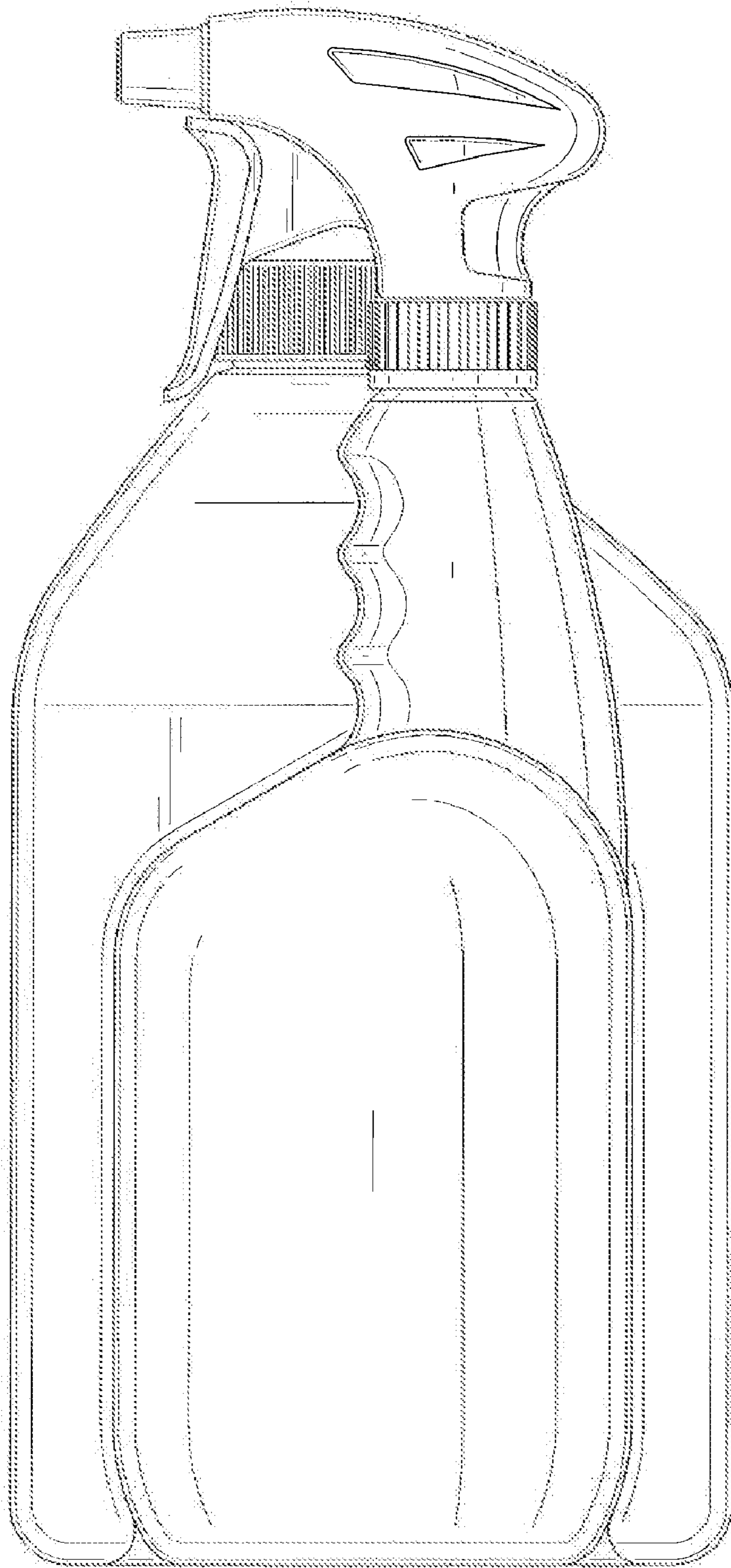


FIG. 2

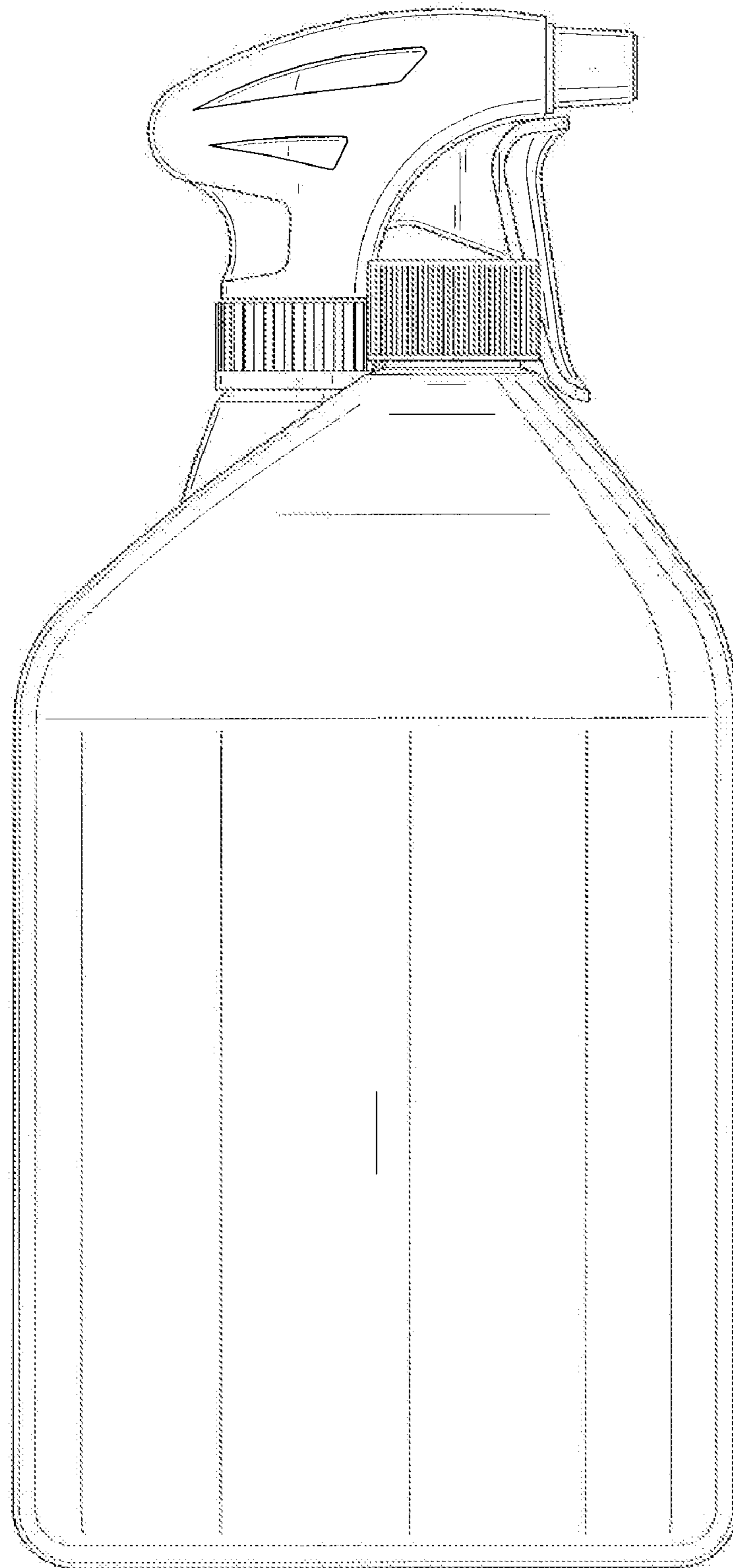


FIG. 3

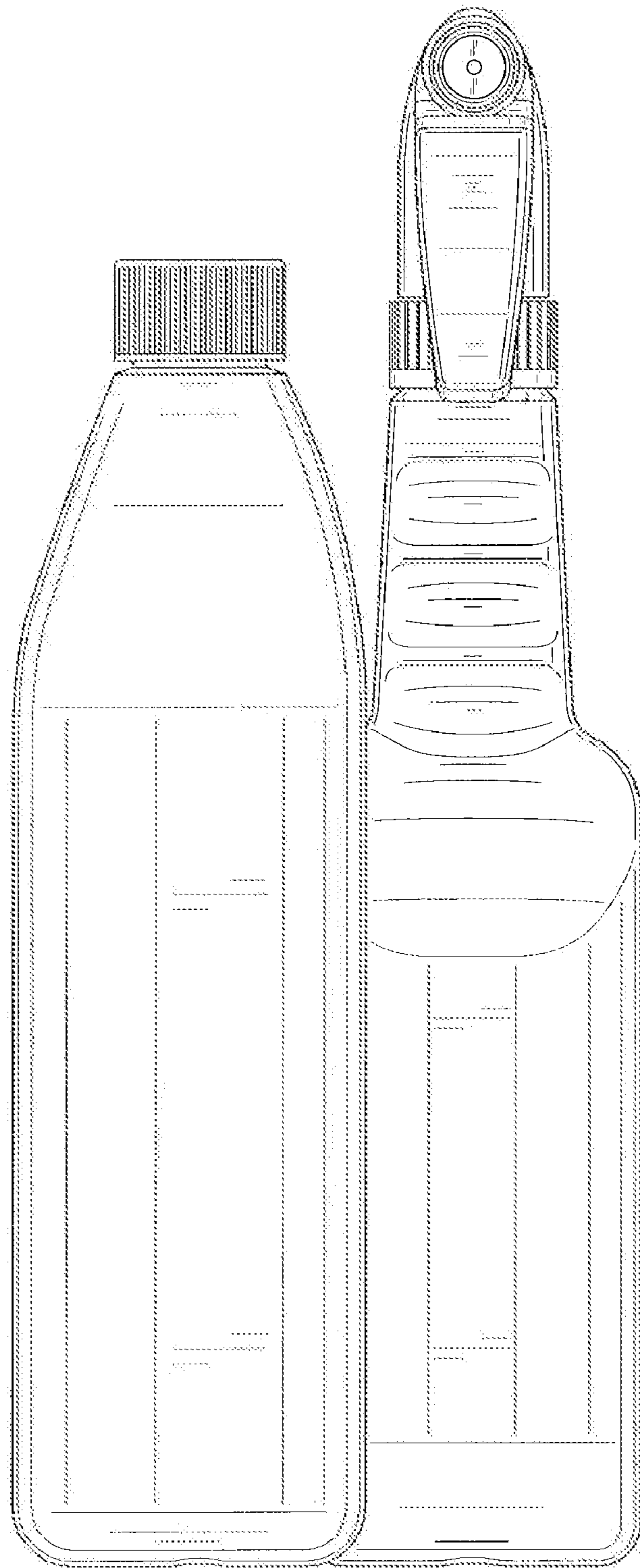


FIG. 4

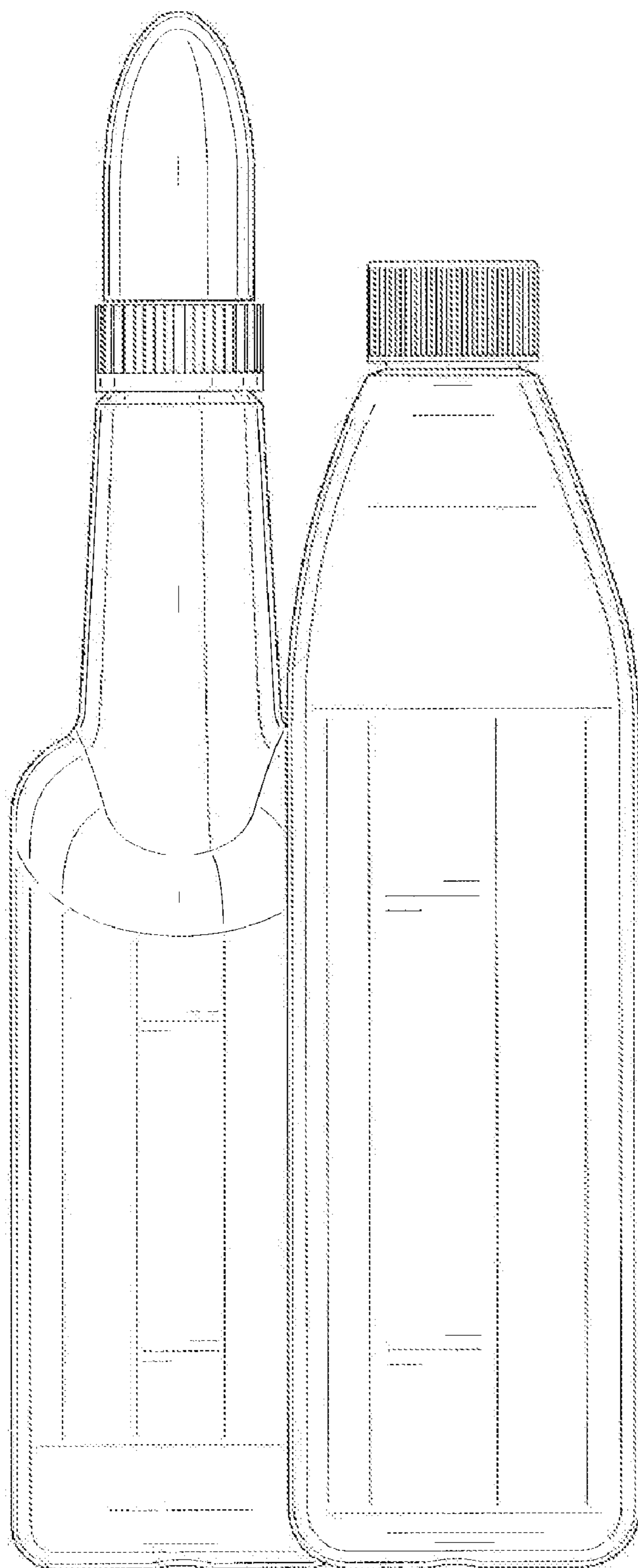


FIG. 5

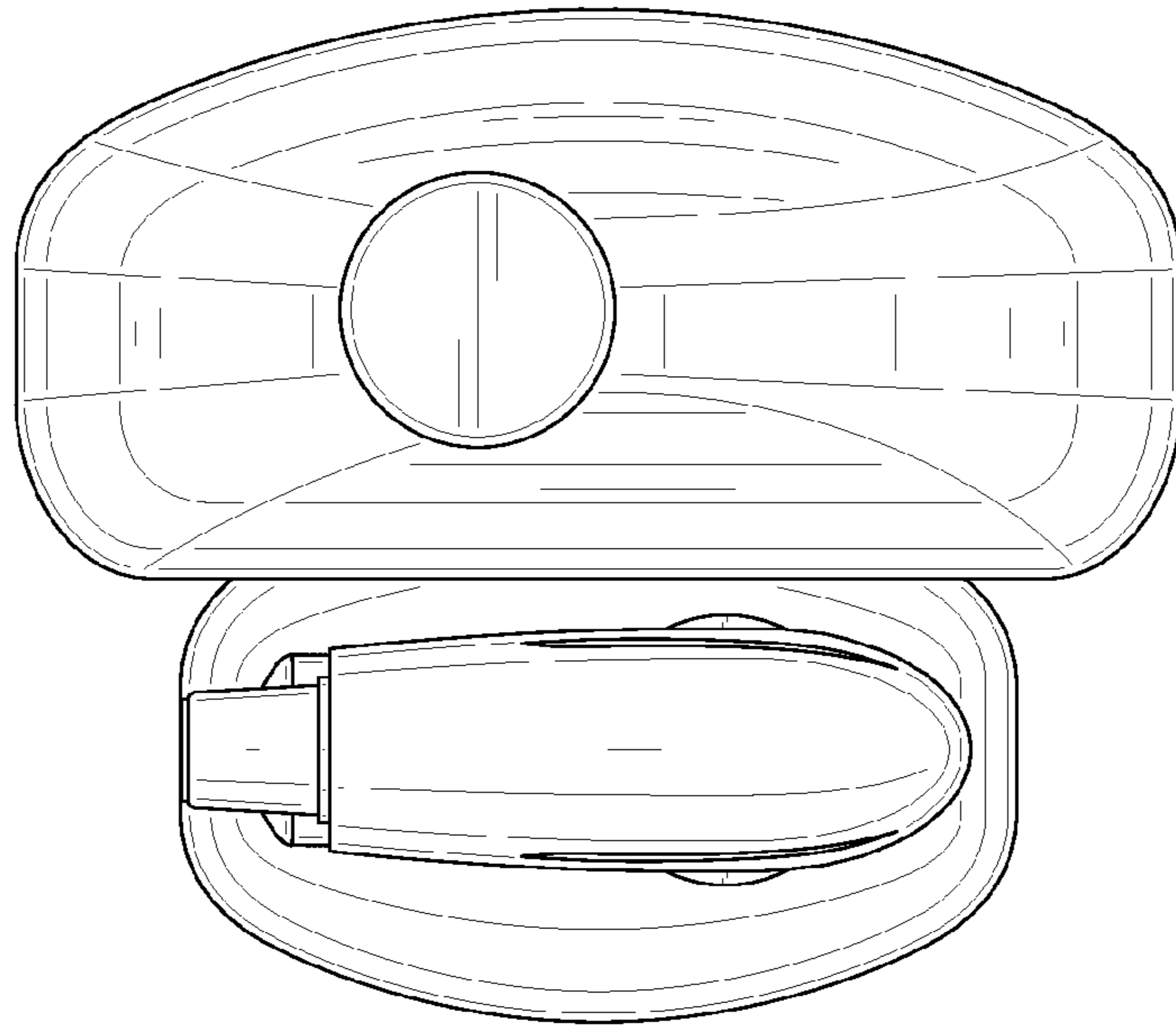


FIG. 6

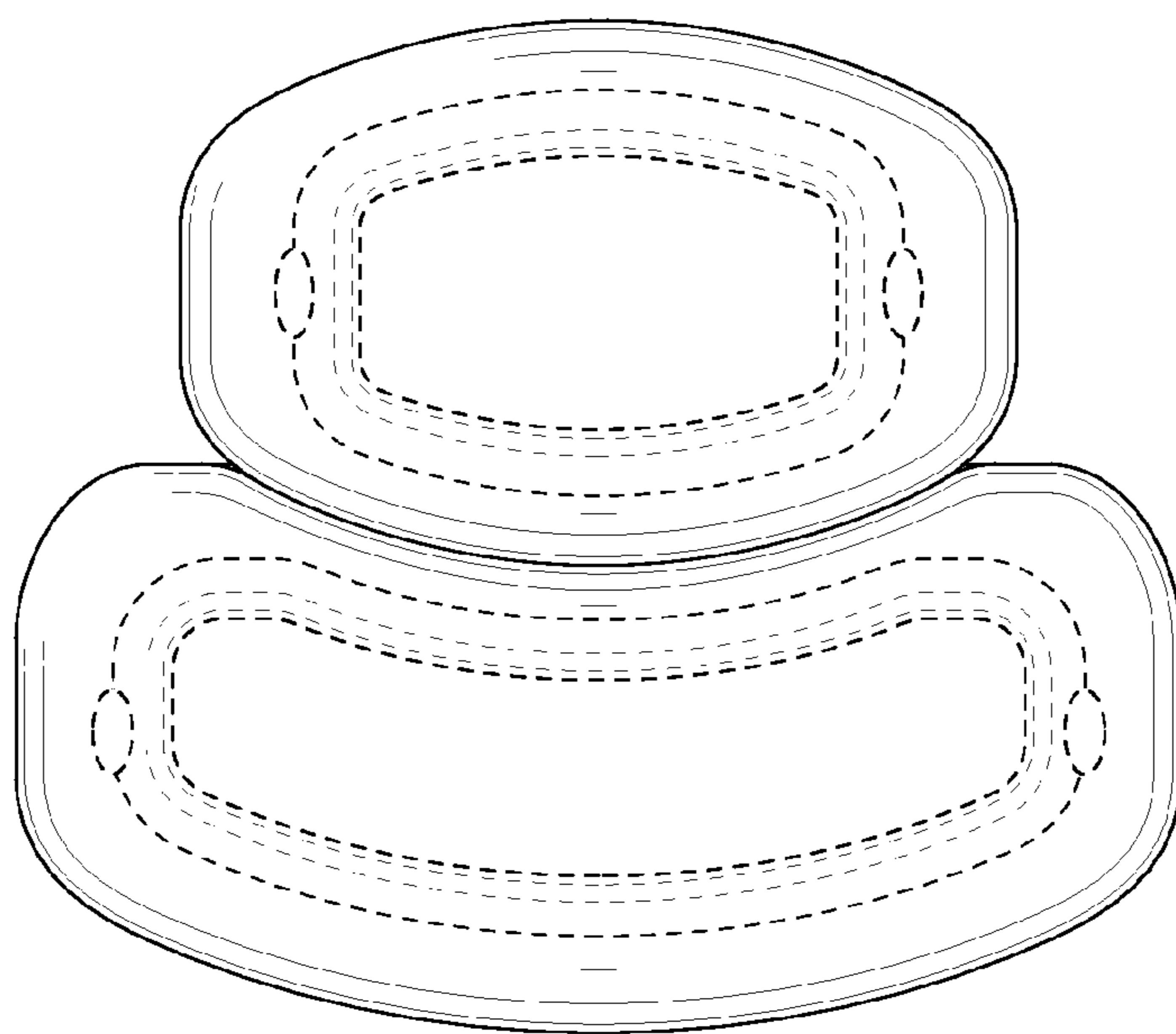


FIG. 7